



US00D482020S

(12) **United States Design Patent**
Olson et al.

(10) **Patent No.:** **US D482,020 S**

(45) **Date of Patent:** **** Nov. 11, 2003**

(54) **SPEAKER**

(75) Inventors: **Mark H. Olson**, Sunnyvale, CA (US);
Jeff Wyatt, Sunnyvale, CA (US);
Michael Voege, Sunnyvale, CA (US);
Luke Williams, Sunnyvlae, CA (US);
Garth Gibby, Sunnyvale, CA (US);
Ethan Imbodem, Sunnyvale, CA (US);
Ana Reza, Sunnyvale, CA (US)

(73) Assignee: **Hannspree, Inc.** (TW)

(**) Term: **14 Years**

(21) Appl. No.: **29/171,351**

(22) Filed: **Nov. 21, 2002**

(51) **LOC (7) Cl.** **14-01**

(52) **U.S. Cl.** **D14/216**

(58) **Field of Search** D14/204, 207,
D14/209-216, 356; 181/143-145, 147-148,
150, 153, 157, 198-199; 381/300-302,
306, 333, 345, 361-364, 386-388

(56) **References Cited**

U.S. PATENT DOCUMENTS

D288,560 S * 3/1987 Anderson D14/212

D292,283 S * 10/1987 Matsuda et al. D14/212

D334,750 S * 4/1993 Negishi et al. D14/213

D349,499 S * 8/1994 Collins D14/216

D388,791 S * 1/1998 McGreevy D14/216

* cited by examiner

Primary Examiner—Nanda Bondade

(74) *Attorney, Agent, or Firm*—Merchant & Gould, LLC

(57) **CLAIM**

The ornamental design for a speaker, as shown and described.

DESCRIPTION

FIG. 1 is a front perspective view thereof;

FIG. 2 is a right side elevational view thereof;

FIG. 3 is a top plan view thereof;

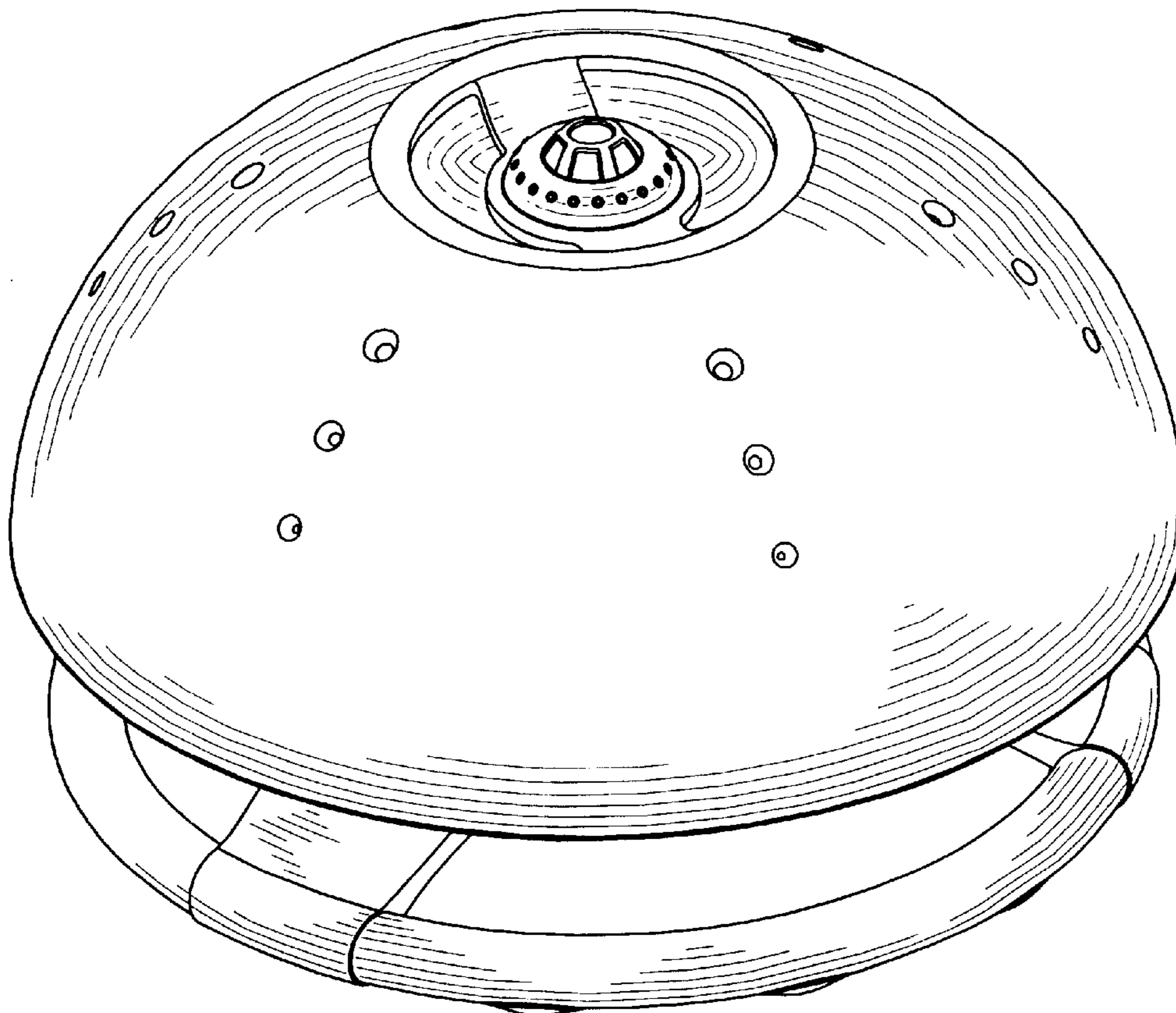
FIG. 4 is a front elevational view thereof;

FIG. 5 is a bottom plan view thereof;

FIG. 6 is a left side elevational view thereof; and,

FIG. 7 is a rear elevational view thereof.

1 Claim, 7 Drawing Sheets



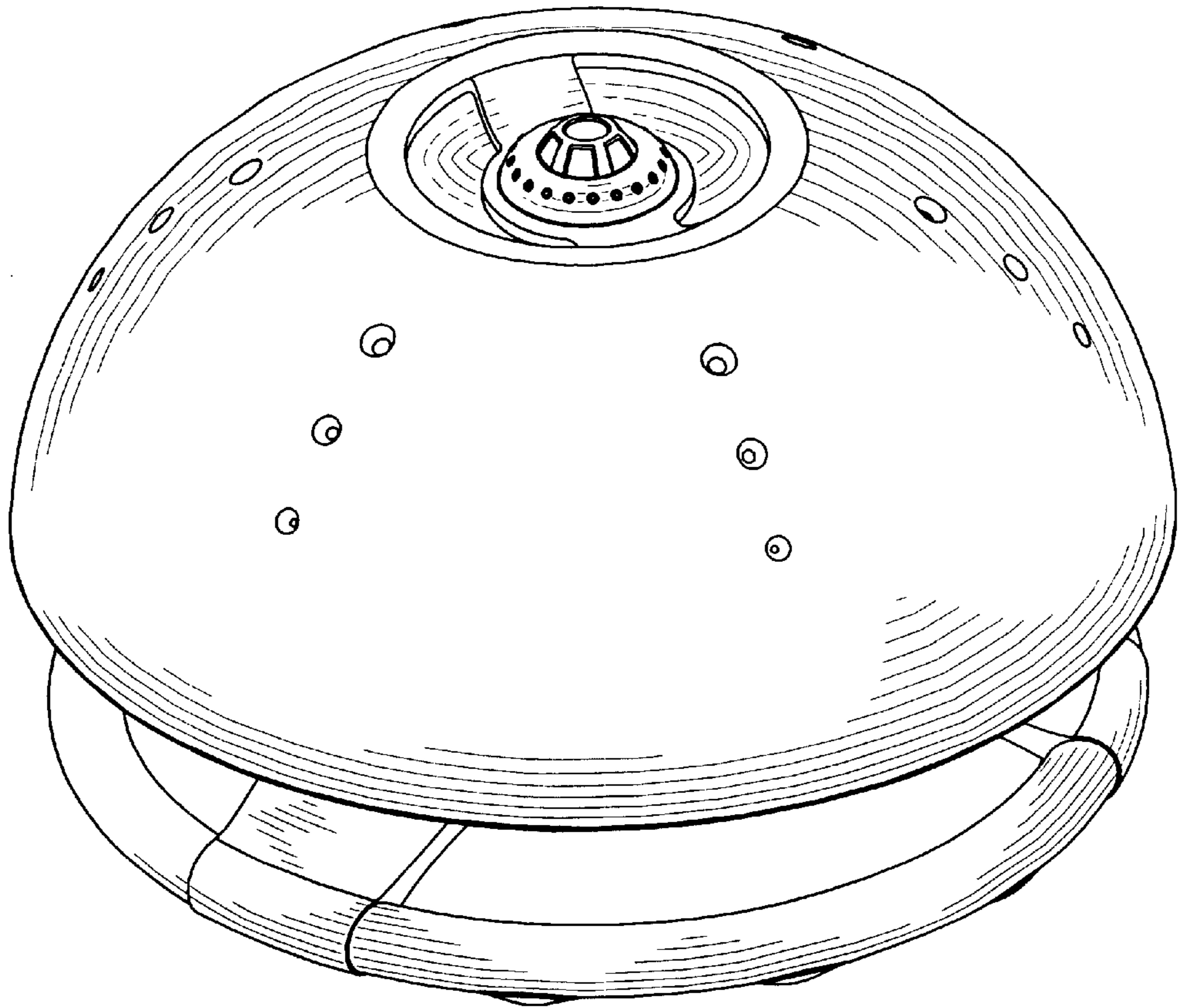


Fig. 1

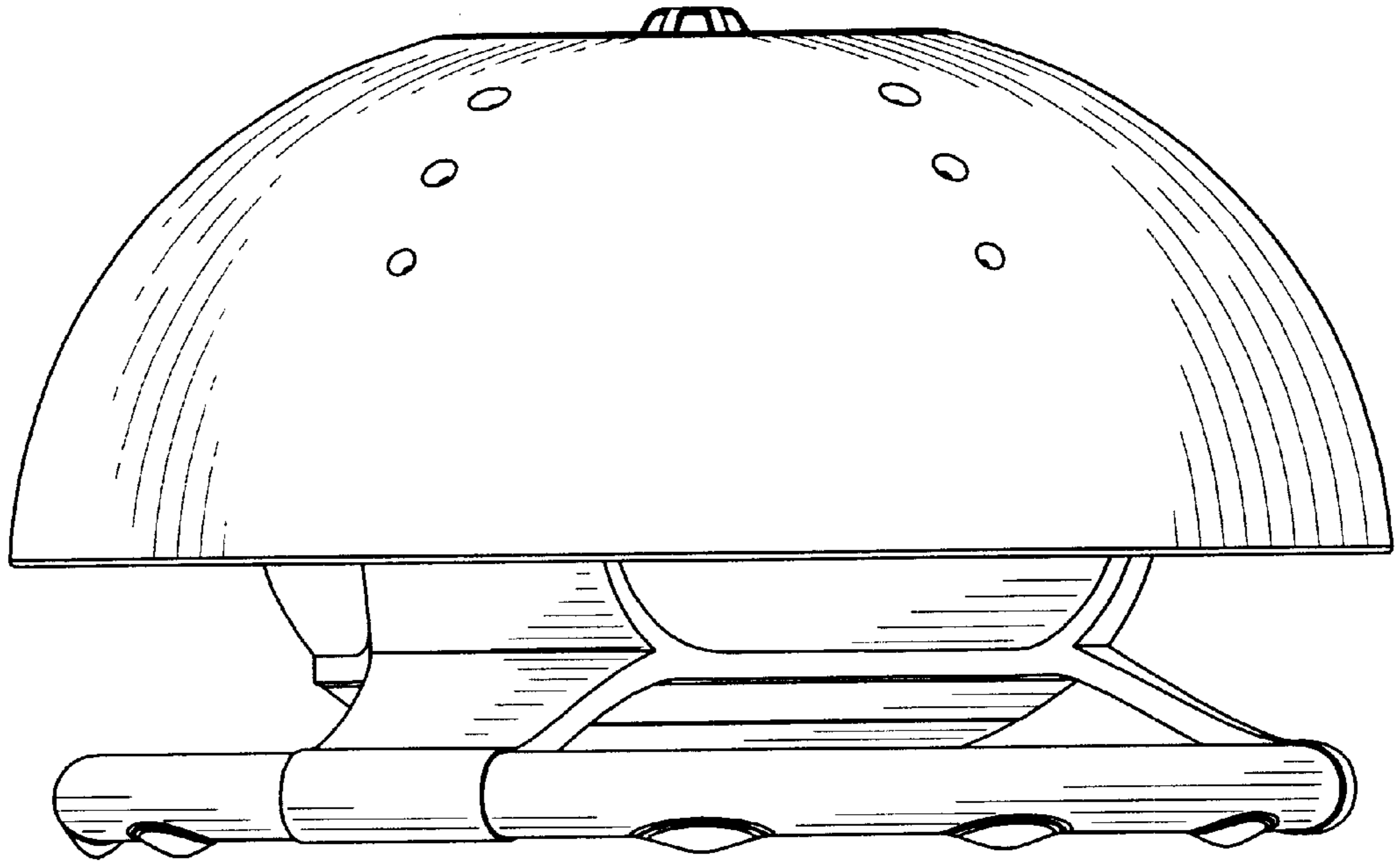


Fig. 2

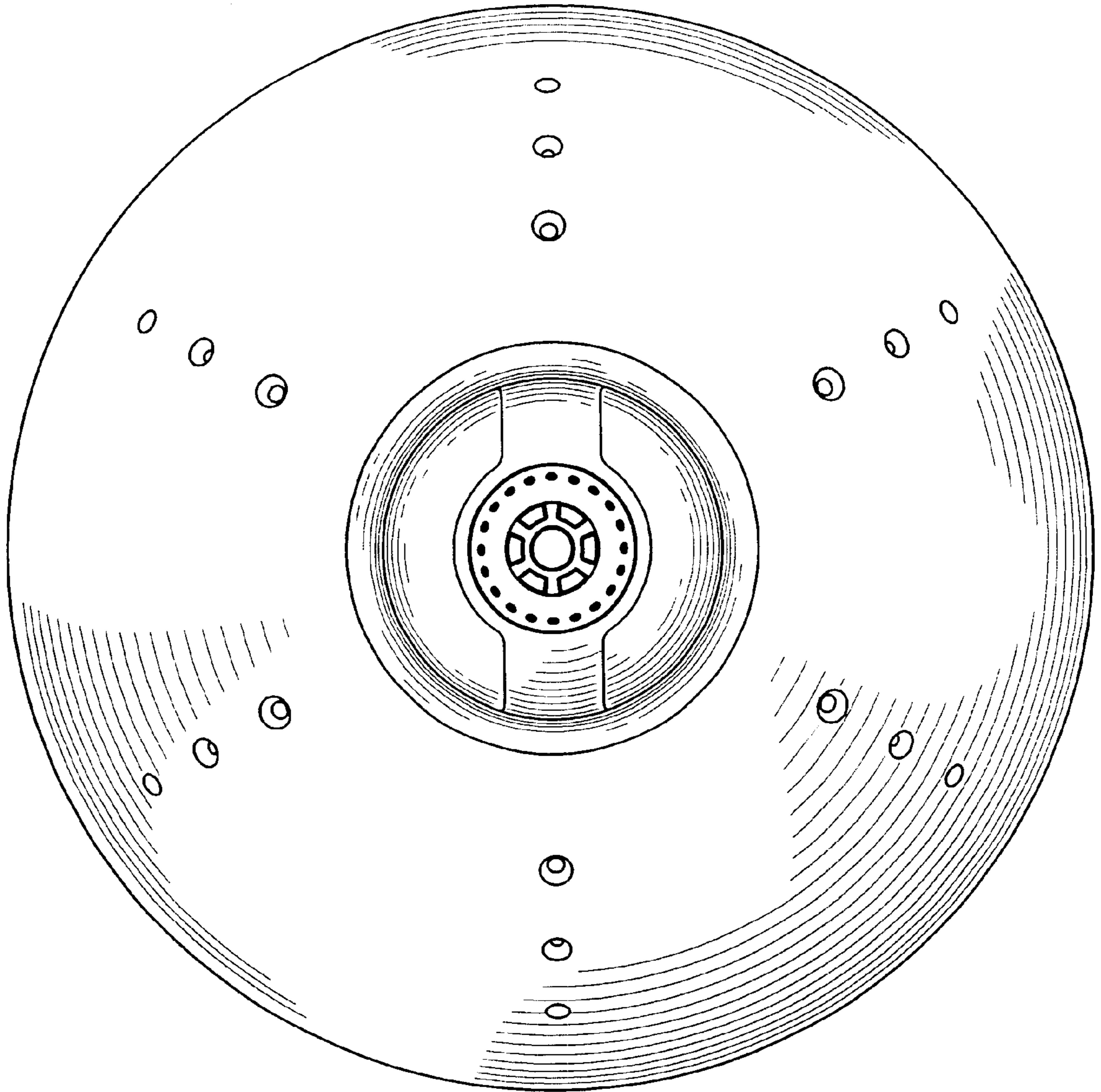


Fig. 3

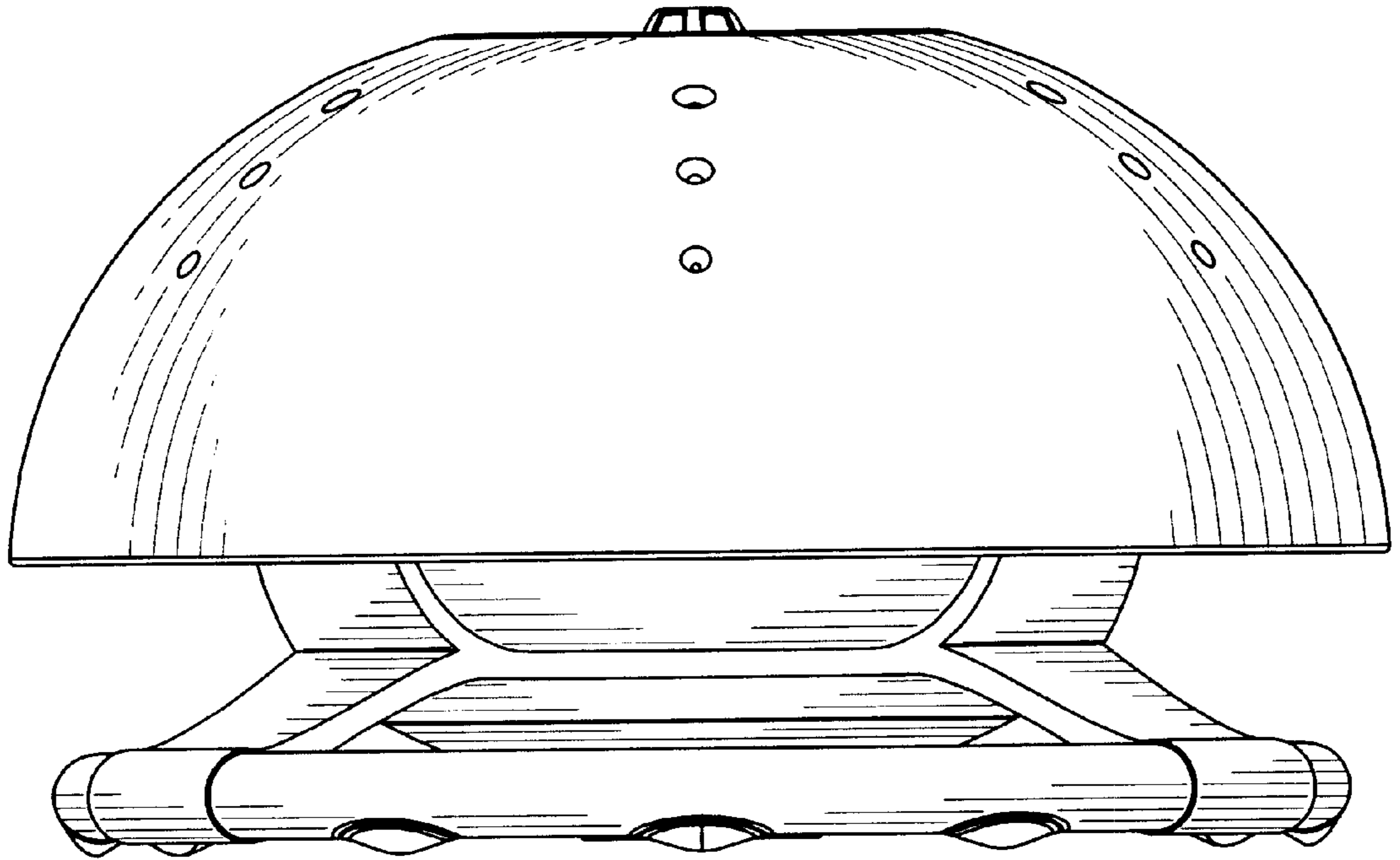


Fig. 4

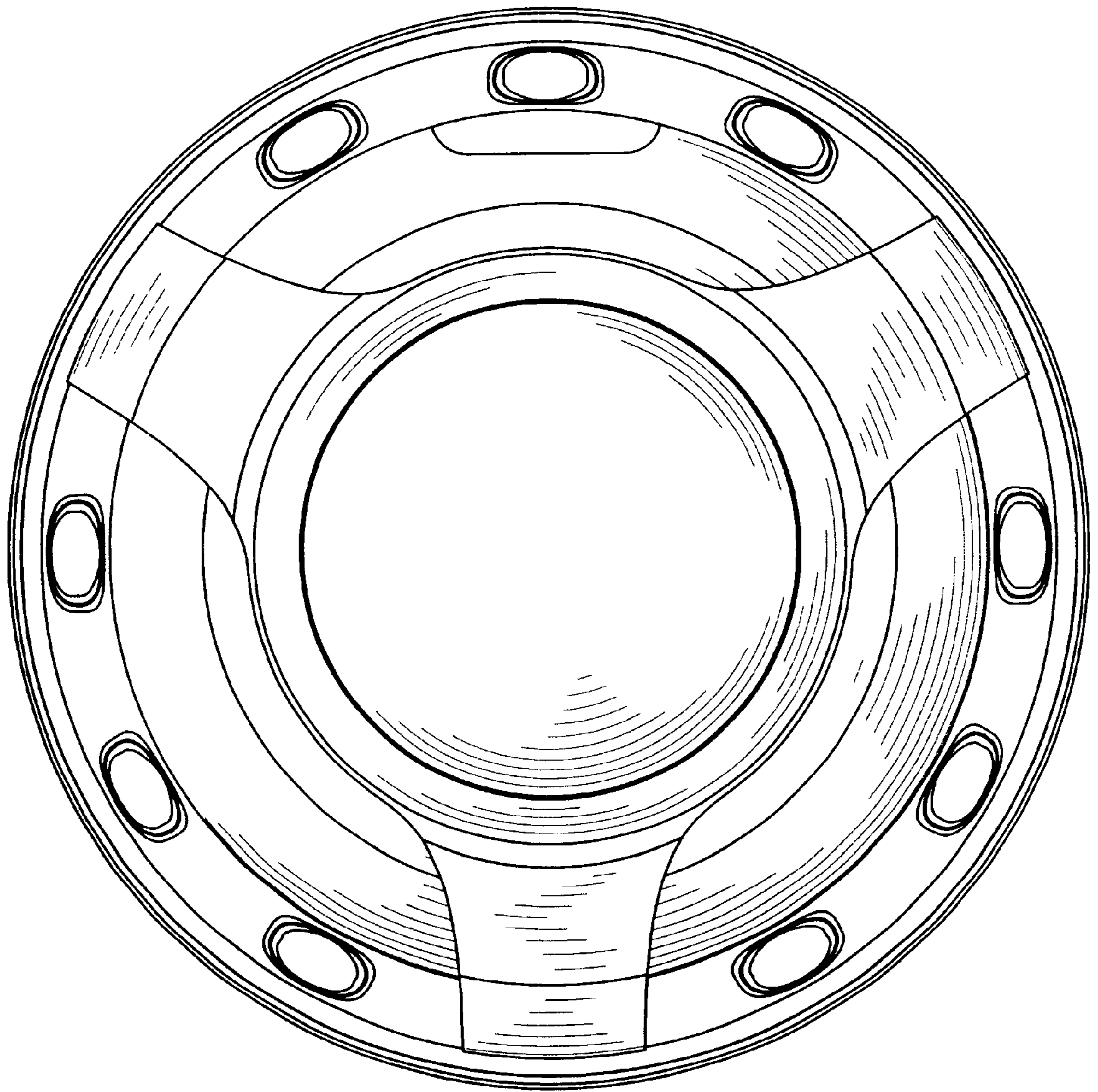


Fig. 5

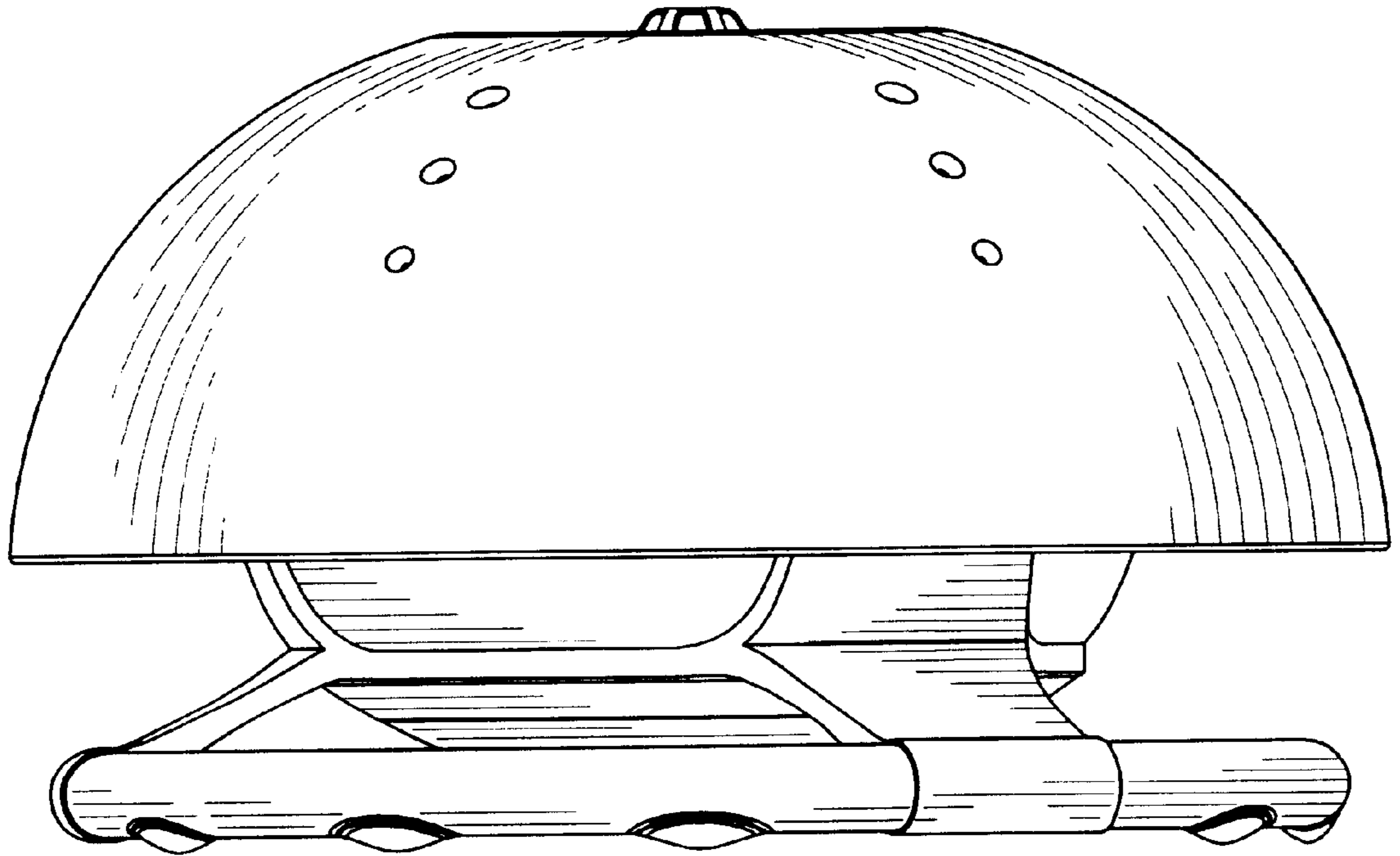


Fig. 6

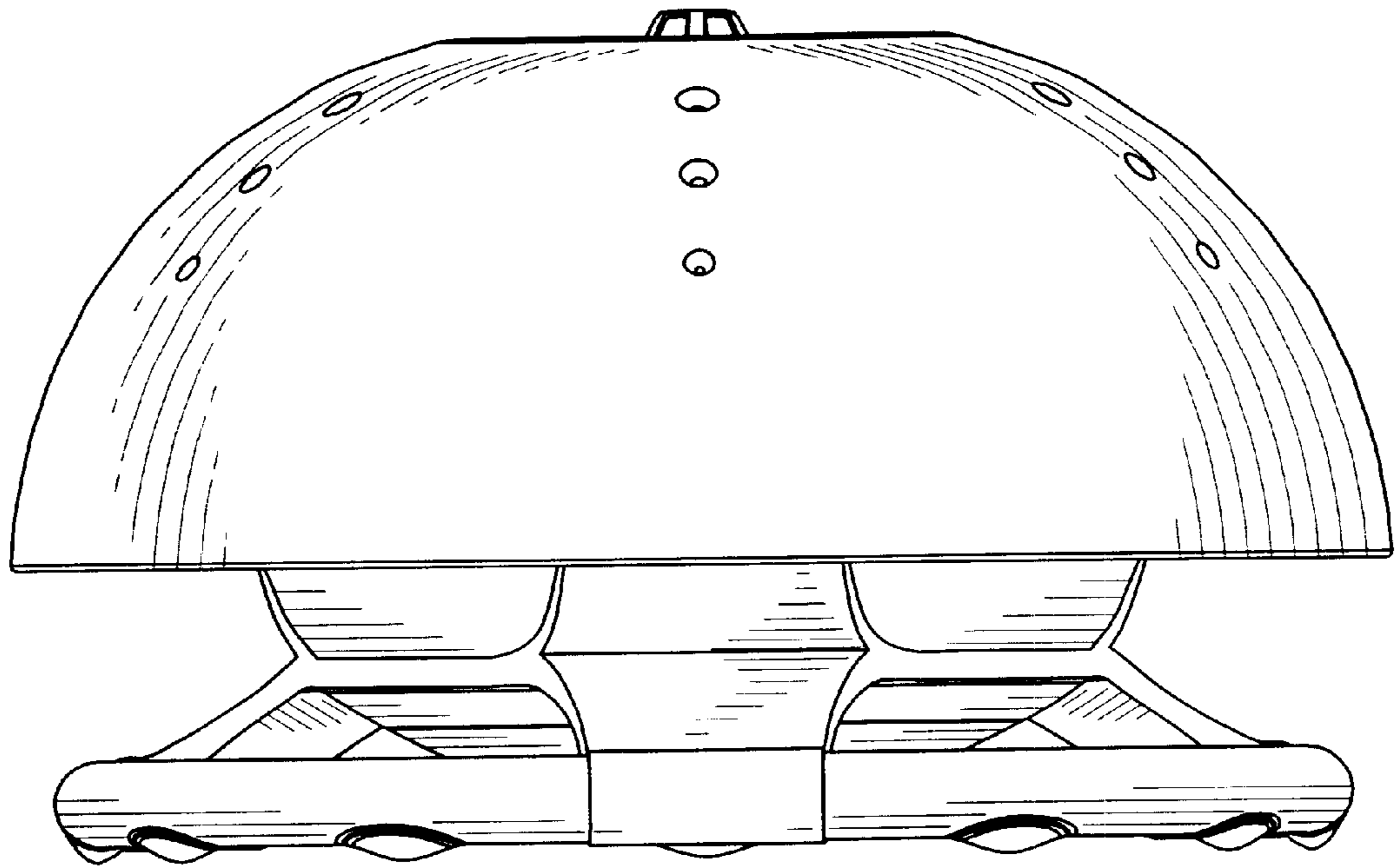


Fig. 7