



US00D482014S

(12) **United States Design Patent**  
**Hakoda et al.**

(10) **Patent No.:** **US D482,014 S**

(45) **Date of Patent:** **\*\* Nov. 11, 2003**

(54) **COMBINED AMPLIFIER AND RADIO RECEIVER FOR CAR**

(75) Inventors: **Katsuhisa Hakoda**, Tokyo (JP); **Koji Shindo**, Tokyo (JP)

(73) Assignee: **Sony Corporation**, Tokyo (JP)

(\*\*) Term: **14 Years**

(21) Appl. No.: **29/167,000**

(22) Filed: **Sep. 9, 2002**

(51) **LOC (7) Cl.** ..... **14-01**

(52) **U.S. Cl.** ..... **D14/157; D14/168**

(58) **Field of Search** ..... D14/135-136,  
D14/156-157, 160-165, 167-168, 188,  
193-198, 132, 257-258; 312/7.1; 369/75.1,  
75.2, 77.1, 77.2; 455/344, 347-351; D12/415

(56) **References Cited**

**U.S. PATENT DOCUMENTS**

D316,092 S	*	4/1991	Ham	.....	D14/157
D380,214 S	*	6/1997	Cha	.....	D14/135
D380,756 S		7/1997	Ohba		
D388,427 S	*	12/1997	Oh	.....	D14/135
D391,251 S		2/1998	Yuyama et al.		
5,862,468 A	*	1/1999	Kim	.....	455/348
D407,401 S		3/1999	Niitsu		
D412,905 S	*	8/1999	Miyazaki et al.	.....	D14/156
D430,132 S		8/2000	Yamazaki		

**OTHER PUBLICATIONS**

Catalog "Sony, Car Navigation System," p. 21, Sony (Oct. 2001).

Web page "HDD cyber Navi/AVIC-XH09V," [http://www.hdd-cybernavi.com/hdd\\_navi/lineup/product/avic-xh09v.html](http://www.hdd-cybernavi.com/hdd_navi/lineup/product/avic-xh09v.html), 1 sheet, Pioneer (Apr. 2002).

Web page "Car Navigation-DV2200" <http://www.mci.panasonic.co.jp/aced/navi/products/DV220/index.html>, 1 sheet, Panasonic (Jun. 2002).

\* cited by examiner

*Primary Examiner*—Nanda Bondade

(74) *Attorney, Agent, or Firm*—Rader, Fishman & Grauer PLLC

(57) **CLAIM**

The ornamental design for a combined amplifier and radio receiver for car, as shown.

**DESCRIPTION**

FIG. 1 is a perspective view of a combined amplifier and radio receiver for car showing our new design;

FIG. 2 is a front elevational view thereof;

FIG. 3 is a rear elevational view thereof;

FIG. 4 is a left side elevational view thereof;

FIG. 5 is a right side elevational view thereof;

FIG. 6 is a top plan view thereof; and,

FIG. 7 is a bottom plan view thereof.

FIGS. 2-5 are on an enlarged scale.

**1 Claim, 4 Drawing Sheets**

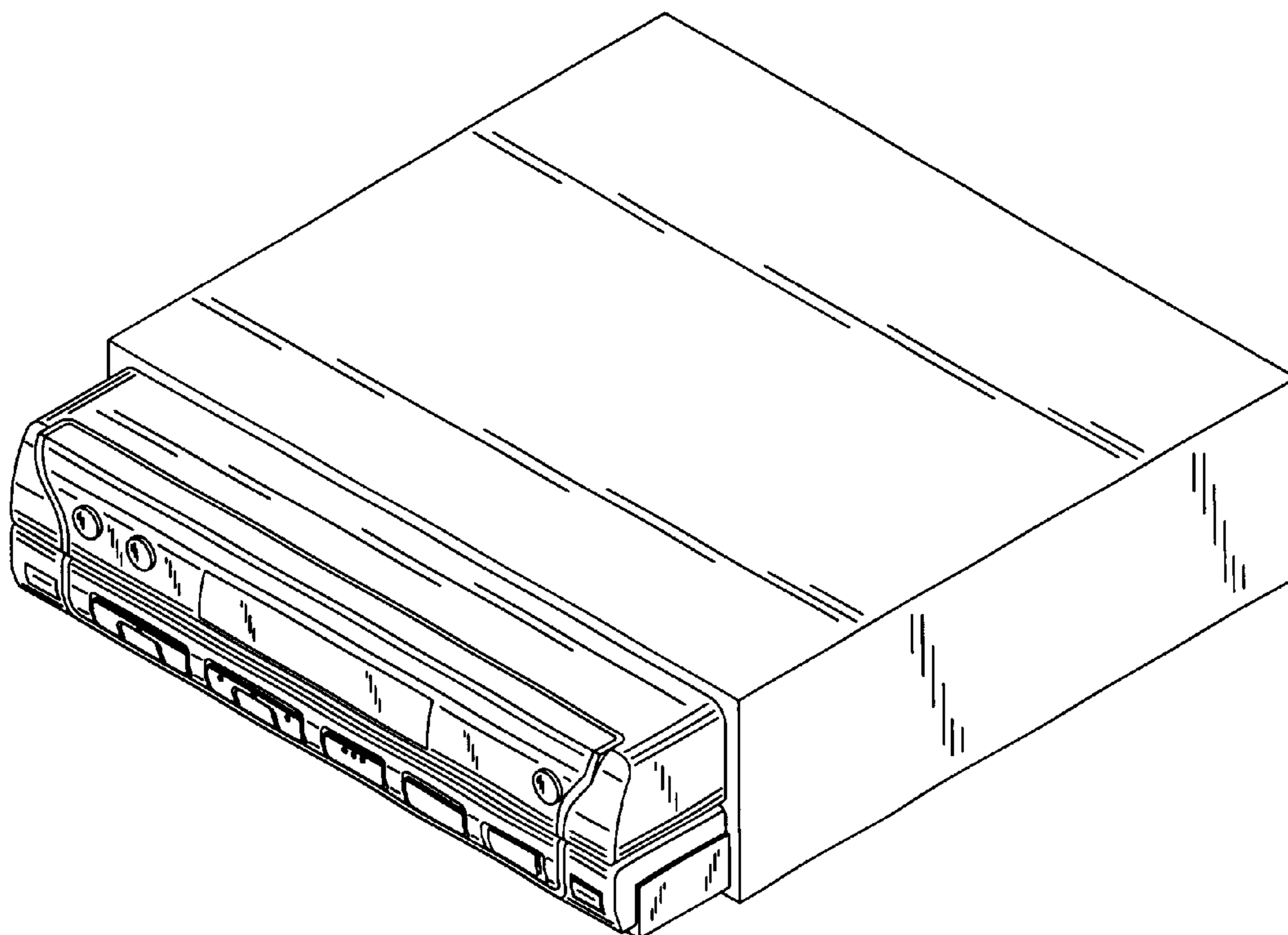
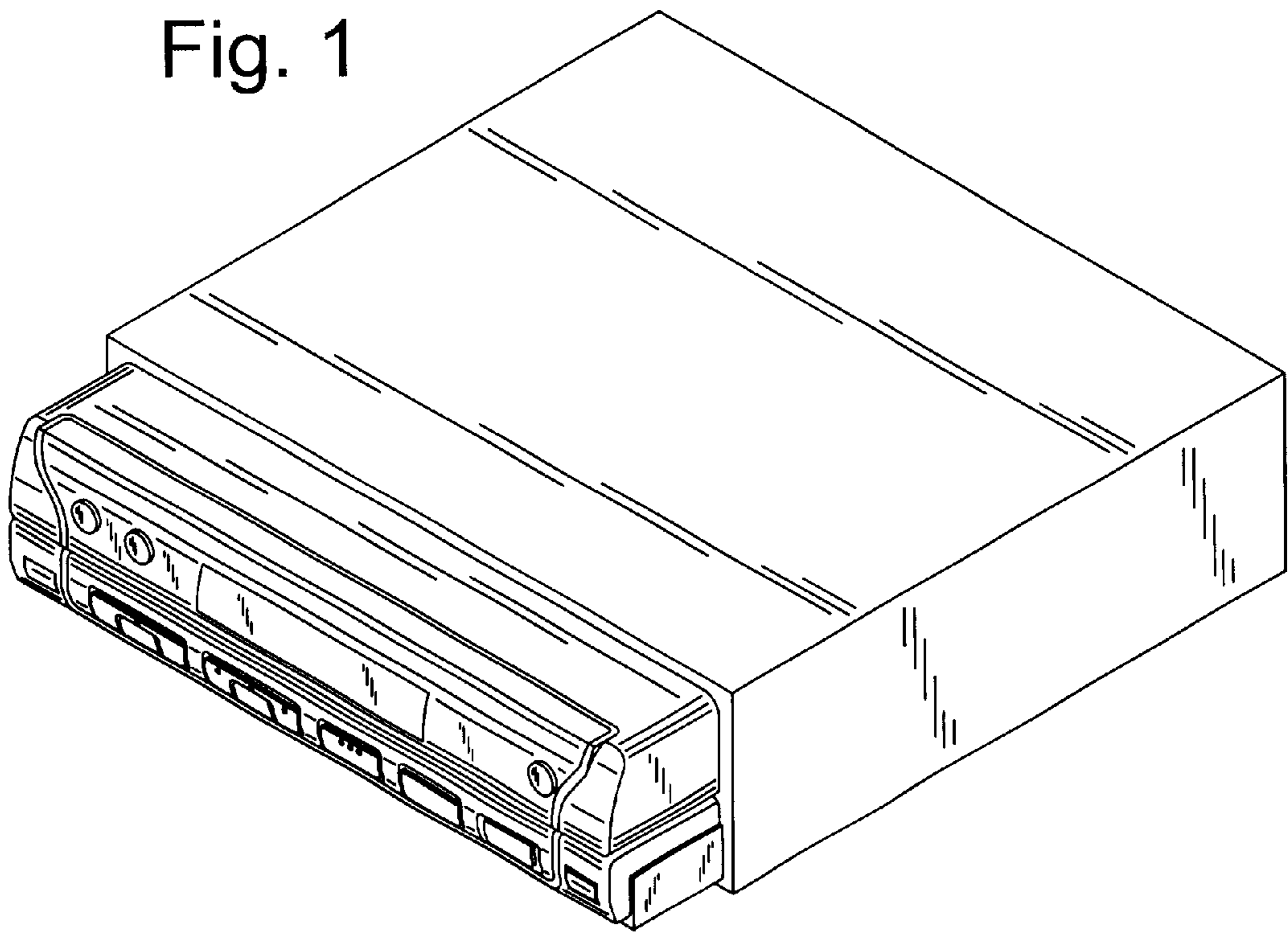


Fig. 1



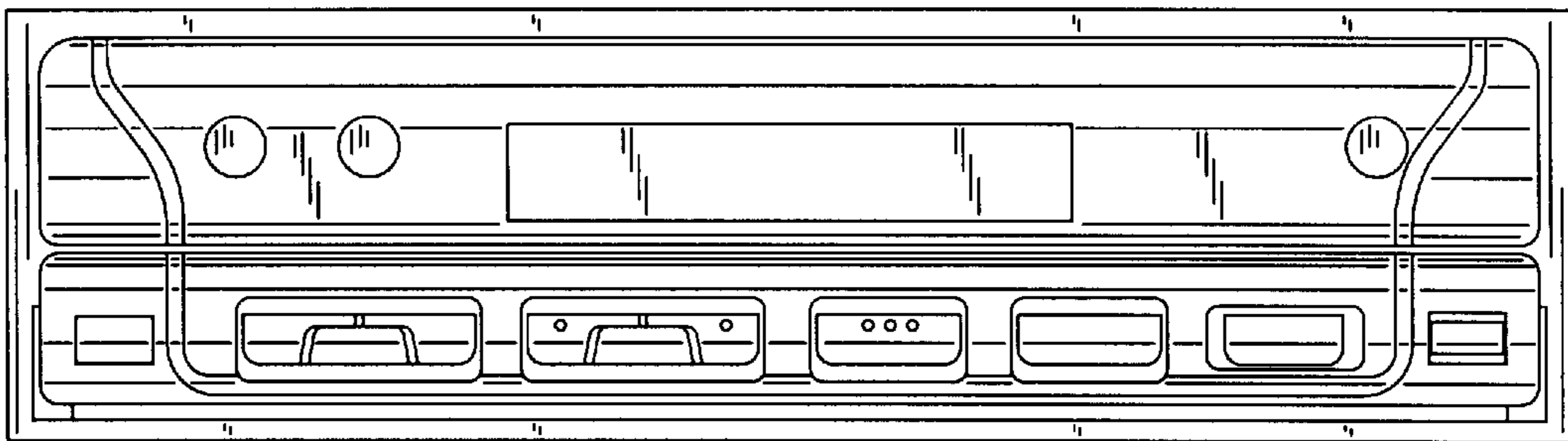


Fig. 2

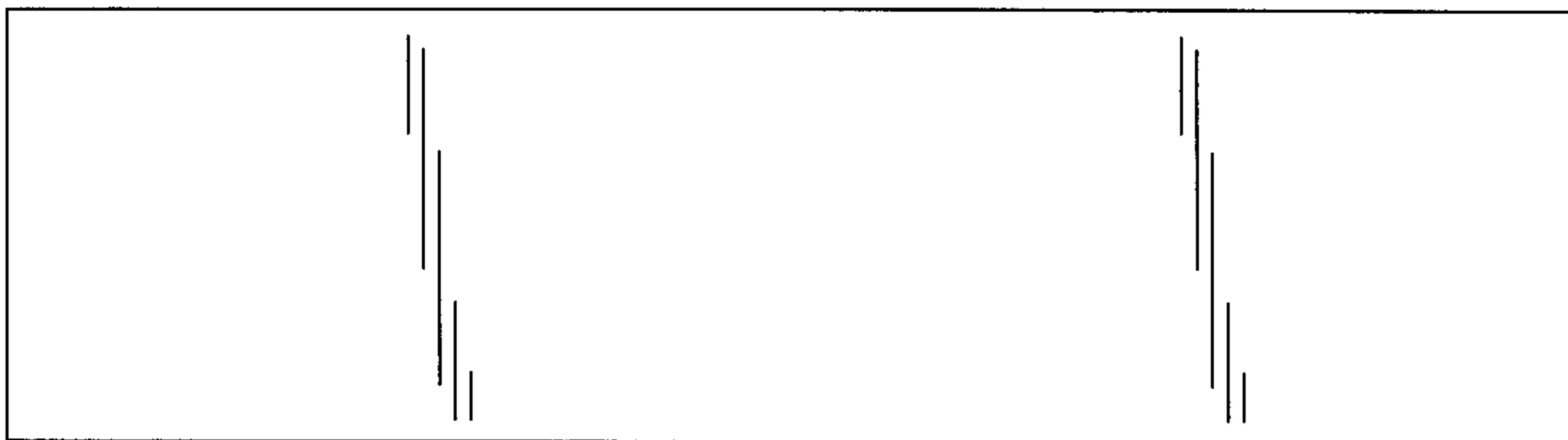


Fig. 3

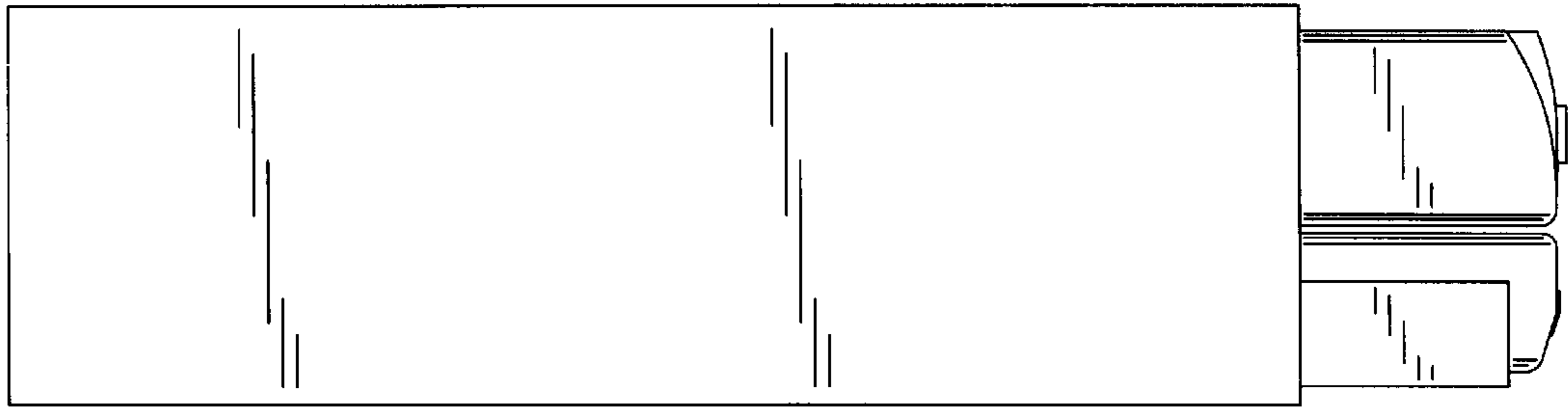


Fig. 4

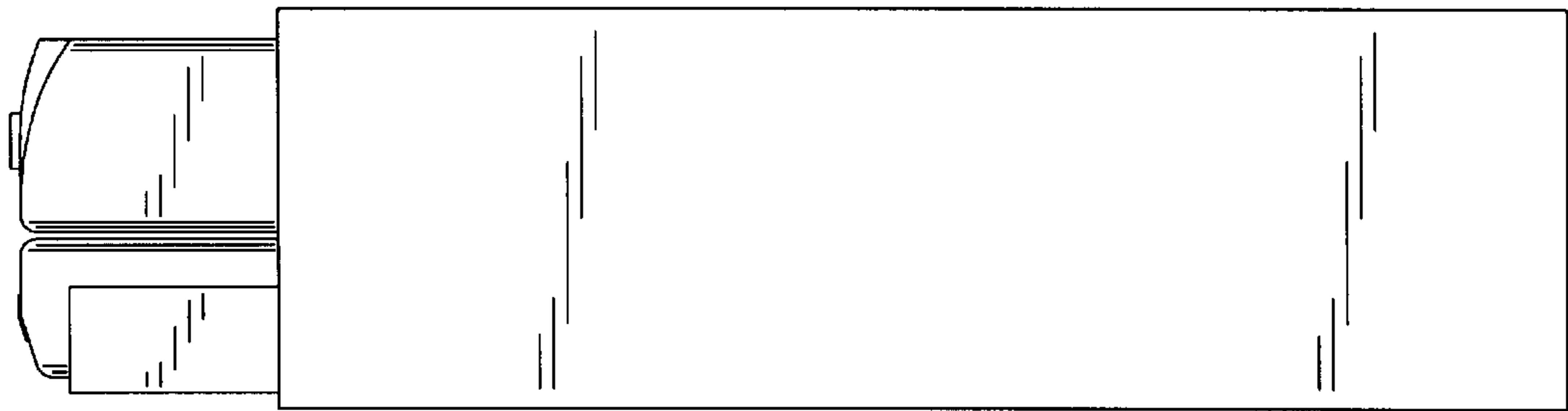


Fig. 5

Fig. 6

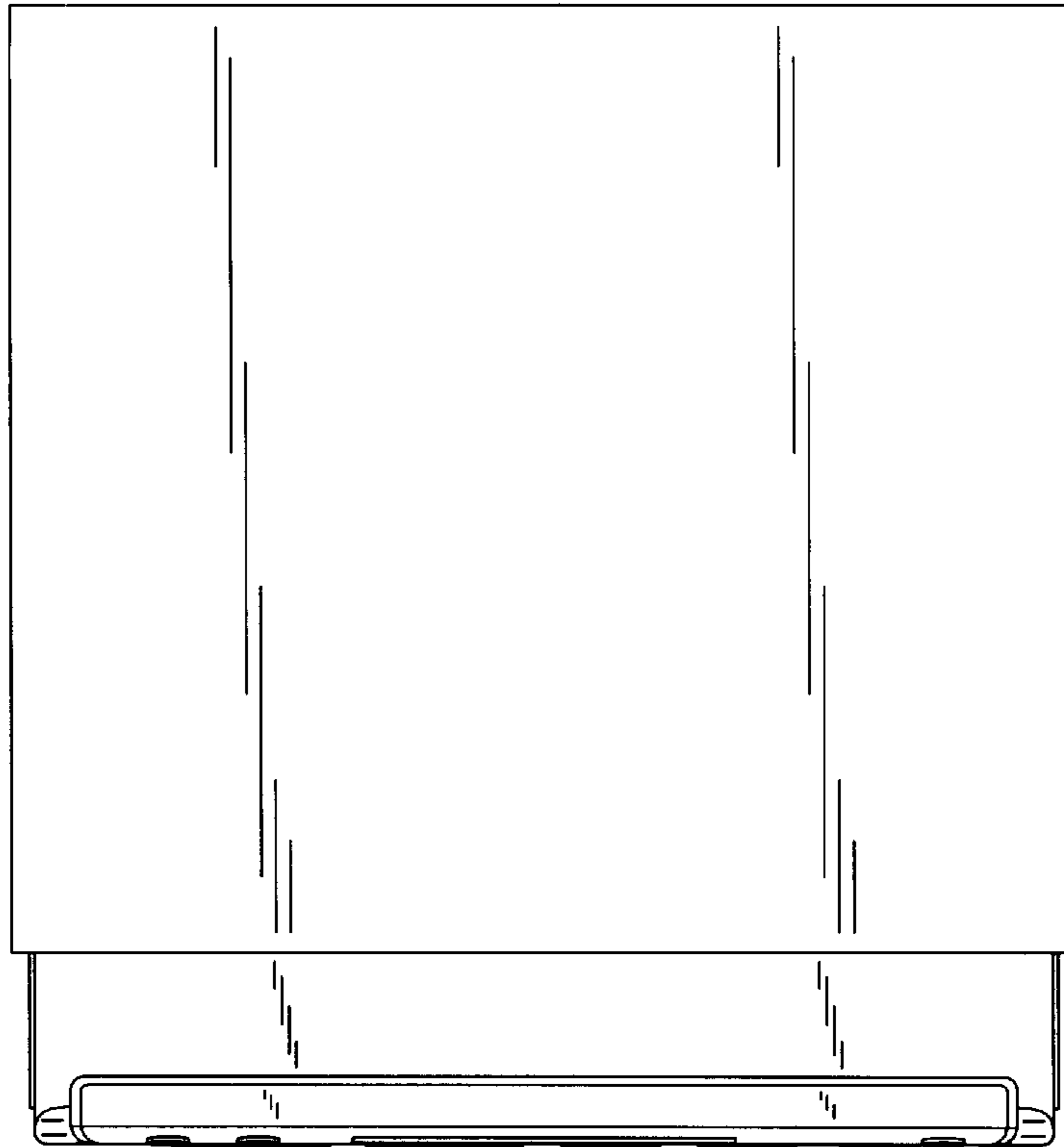


Fig. 7

