



US00D482013S

(12) **United States Design Patent** (10) **Patent No.:** **US D482,013 S**
Lee (45) **Date of Patent:** **** Nov. 11, 2003**

(54) **COMPACT DISC PLAYER**
(75) Inventor: **Johan Lee**, Sunnyside, NY (US)
(73) Assignee: **Coby Electronics Corporation**,
Maspeth, NY (US)
(**) Term: **14 Years**

Primary Examiner—Nanda Bondade
(74) *Attorney, Agent, or Firm*—Brown, Raysman, Millstein
Felder & Steiner, LLP

(57) **CLAIM**

The ornamental design for a compact disc player, as shown
and described.

(21) Appl. No.: **29/165,776**
(22) Filed: **Aug. 15, 2002**
(51) **LOC (7) Cl.** **14-01**
(52) **U.S. Cl.** **D14/156**
(58) **Field of Search** D14/135–136,
D14/156–157, 160–165, 167–168, 188,
193–198; 369/75.1, 75.2, 77.1, 77.2; 455/344,
347–351

DESCRIPTION

FIG. 1 is a perspective view of the compact disc player
showing my new design;
FIG. 2 is a front view thereof;
FIG. 3 is a rear view thereof;
FIG. 4 is a left side view thereof;
FIG. 5 is a right side view thereof;
FIG. 6 is a top view thereof; and,
FIG. 7 is a bottom view thereof.

The broken line showing on FIGS. 1–7 is for illustrative
purposes only and forms no part of the claimed design.

A portion of the disclosure of this patent document contains
material which is subjected to copyright protection. The
copyright owner has no objection to the facsimile reproduc-
tion by anyone of the patent document or the patent disclo-
sure, as it appears in the Patent and Trademark Office patent
file or records, but reserves all other copyright rights what-
soever.

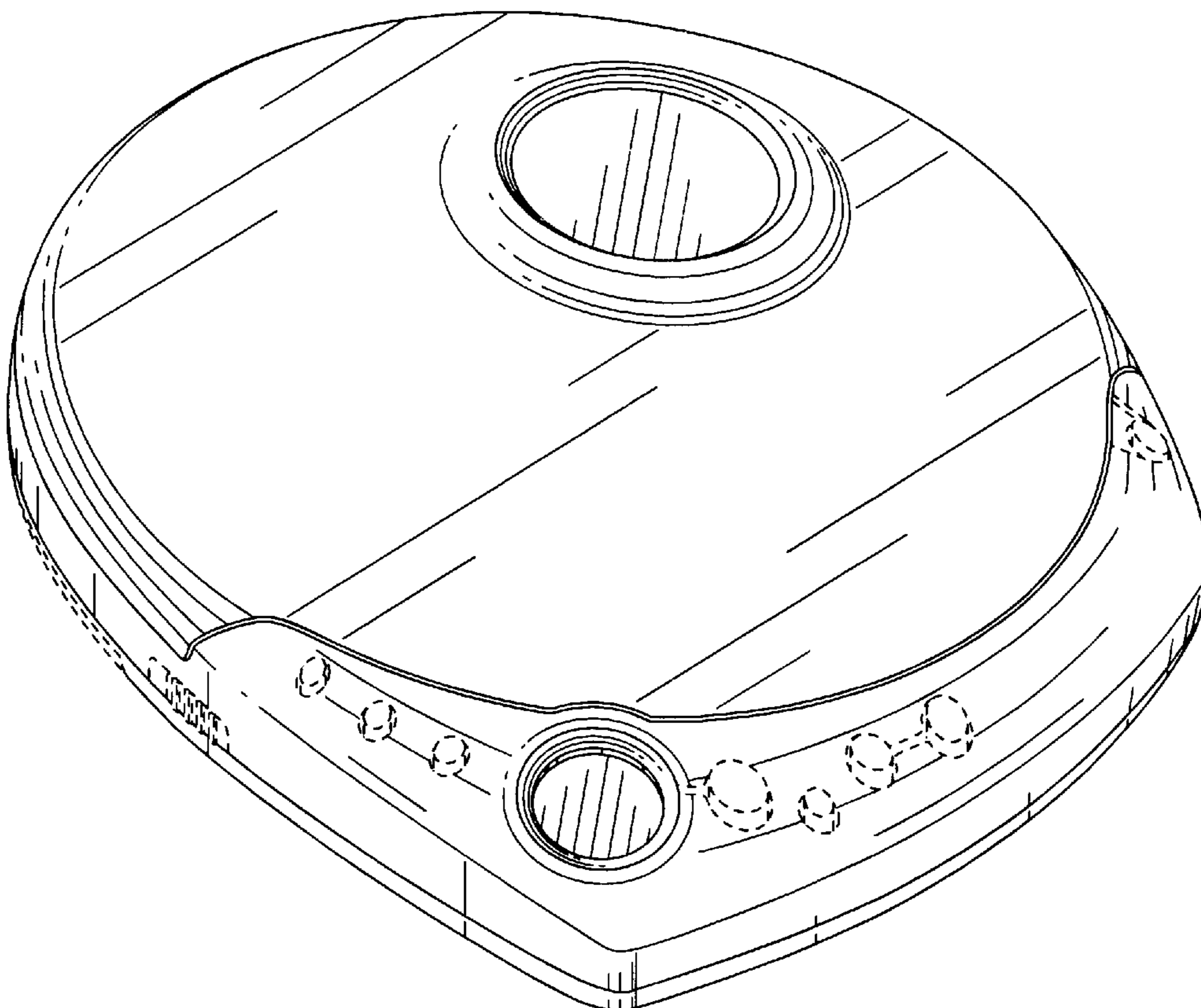
(56) **References Cited**

U.S. PATENT DOCUMENTS

D431,544 S	*	10/2000	Kobayashi	D14/156
D433,672 S	*	11/2000	Kobayashi	D14/156
D449,292 S	*	10/2001	Miyazaki	D14/217
D462,942 S	*	9/2002	Murakami	D14/156
D467,905 S	*	12/2002	Takagi	D14/156

* cited by examiner

1 Claim, 5 Drawing Sheets



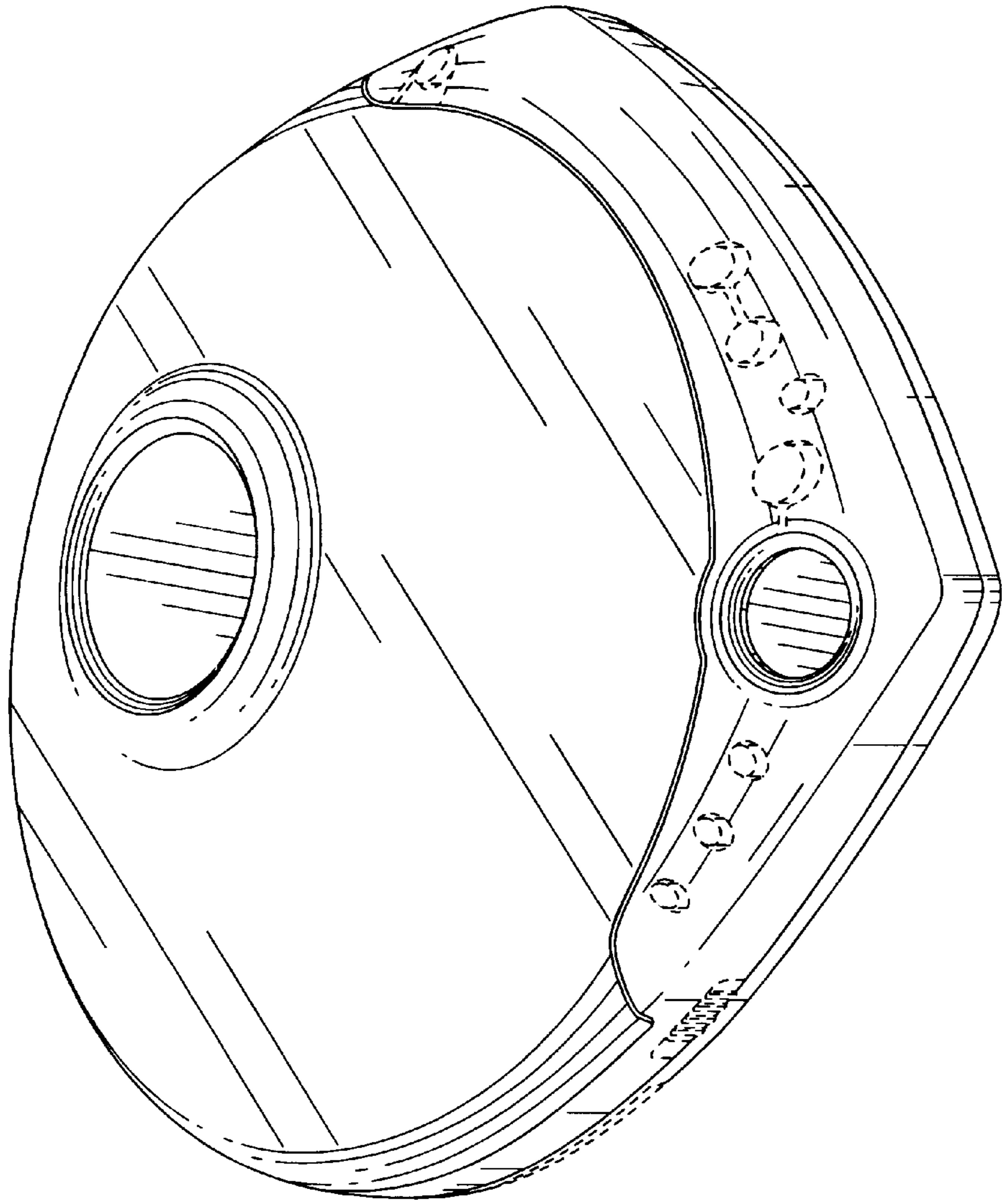


FIG. 1

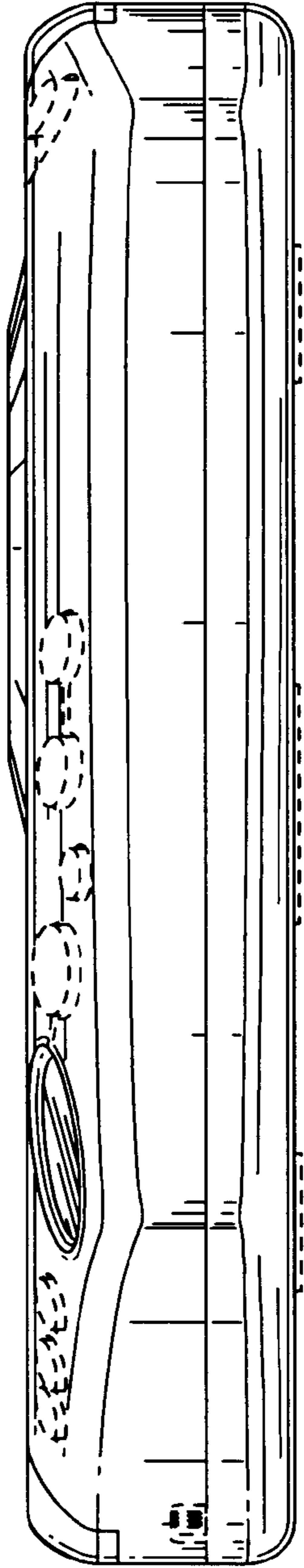


FIG. 2

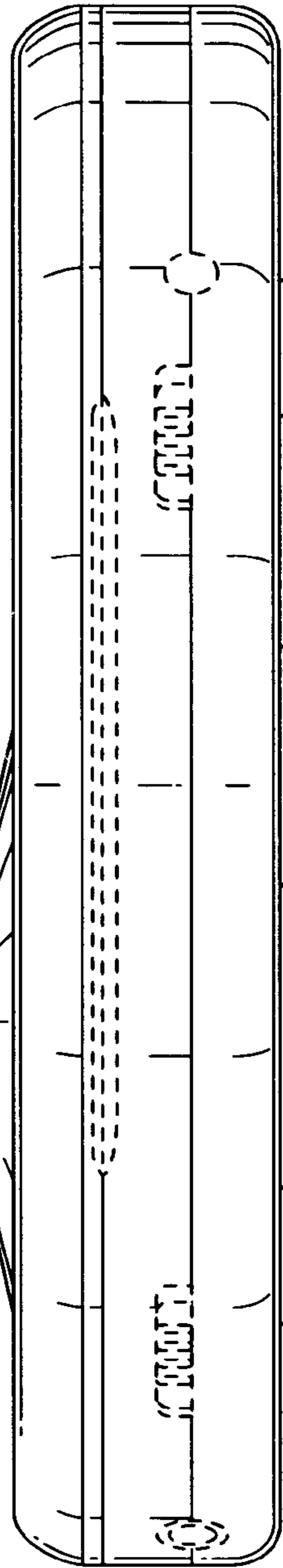


FIG. 3

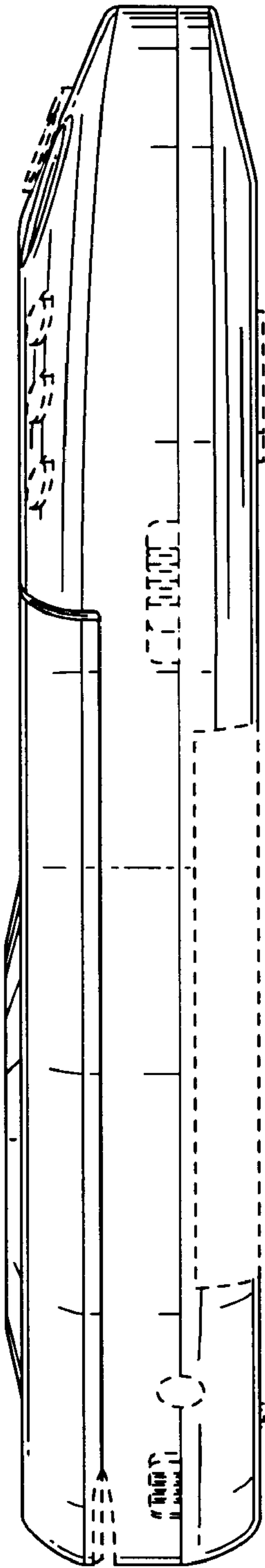


FIG. 4

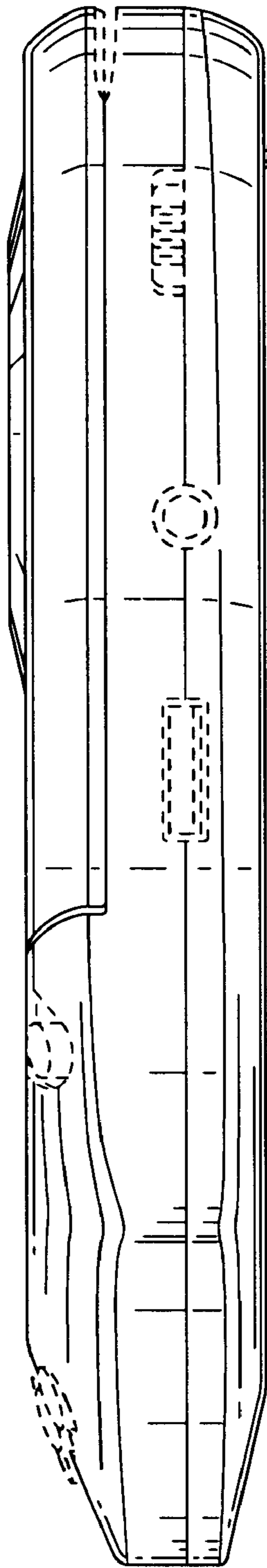


FIG. 5

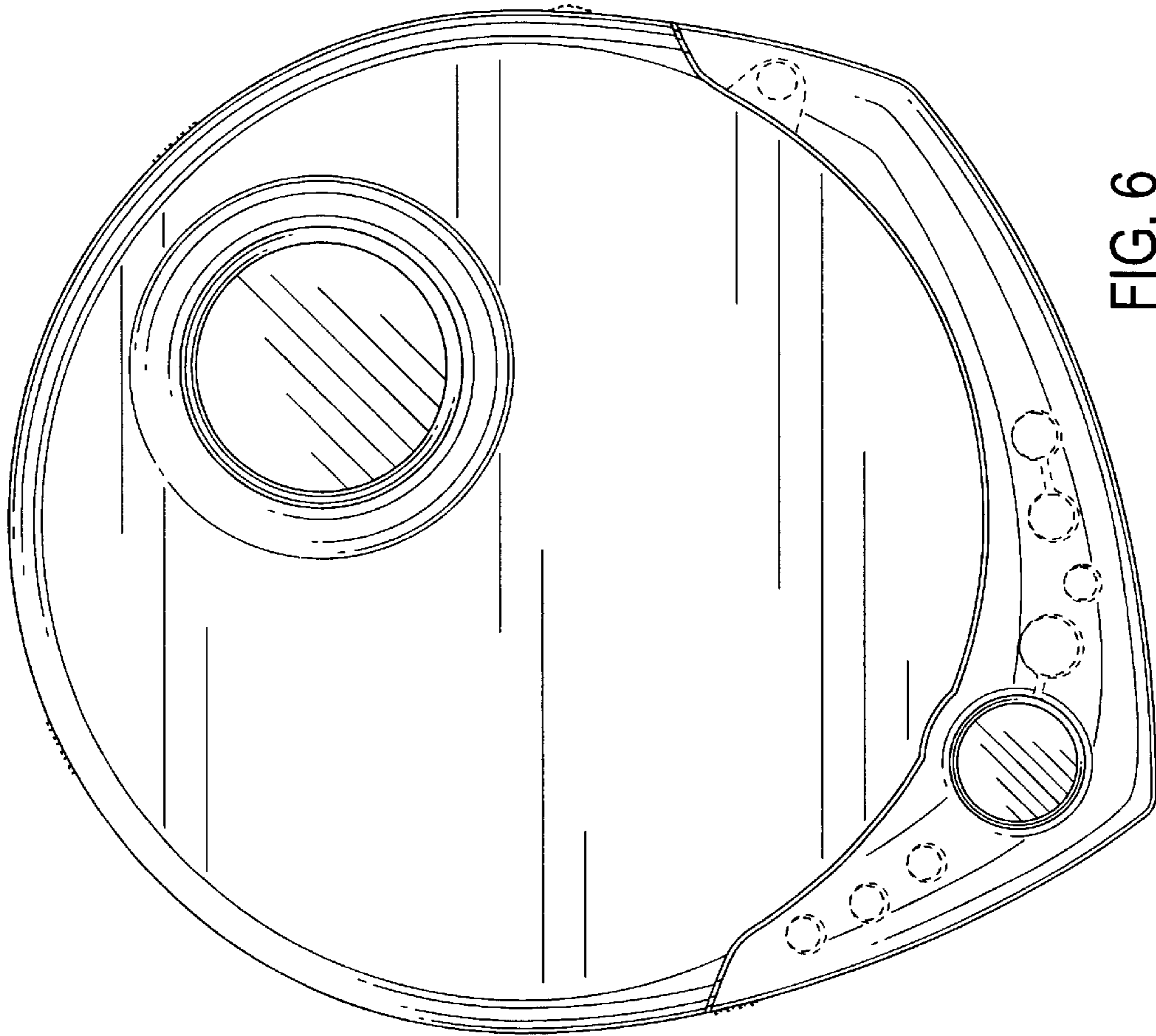


FIG. 6

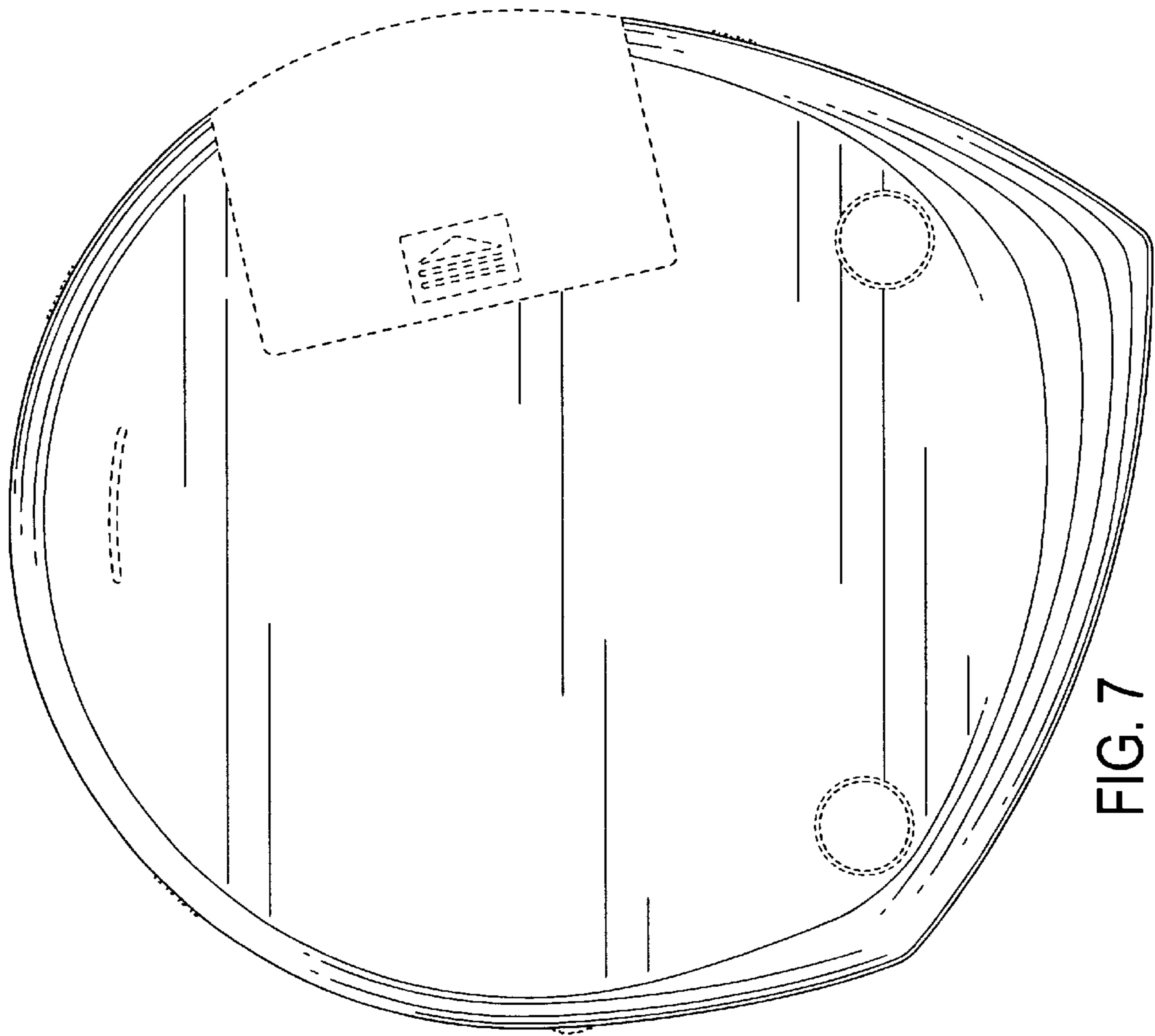


FIG. 7