



US00D482004S

(12) **United States Design Patent**  
**Izaki et al.**

(10) **Patent No.: US D482,004 S**

(45) **Date of Patent: \*\* Nov. 11, 2003**

(54) **FUSE**

6,448,882 B1 \* 9/2002 Inaba et al. .... 337/227

(75) **Inventors: Masatoshi Izaki, Miyazaki (JP);  
Takahiro Mukai, Miyazaki (JP);  
Shinichi Ohtsuka, Miyazaki (JP);  
Kenzo Isozaki, Miyazaki (JP)**

(73) **Assignee: Matsushita Electric Industrial Co.,  
Ltd., Osaka (JP)**

(\*\*) **Term: 14 Years**

(21) **Appl. No.: 29/171,767**

(22) **Filed: Nov. 27, 2002**

**Related U.S. Application Data**

(63) **Continuation of application No. 09/909,504, filed on Jul. 20,  
2001, now Pat. No. Des. 113,685.**

(30) **Foreign Application Priority Data**

Jun. 18, 2002 (JP) ..... 2002-016309

(51) **LOC (7) Cl. .... 13-03**

(52) **U.S. Cl. .... D13/161**

(58) **Field of Search ..... D13/160, 161,  
D13/178; 200/275; 307/10.1, 10.8; 337/186,  
198, 227, 228, 231, 234, 241; 439/607,  
621**

(56) **References Cited**

**U.S. PATENT DOCUMENTS**

- 3,829,808 A \* 8/1974 Blewitt et al. .... 337/186
- 4,494,104 A 1/1985 Holmes
- 5,097,247 A 3/1992 Doerrwaechter
- D325,193 S \* 4/1992 Kudo ..... D13/161
- 5,426,411 A \* 6/1995 Pimpis et al. .... 337/186
- 5,905,426 A \* 5/1999 Douglass ..... 337/229
- 5,939,969 A 8/1999 Doerrwaechter et al.
- D419,532 S \* 1/2000 Hibayashi ..... D13/161
- 6,067,004 A \* 5/2000 Hibayashi et al. .... 337/227
- 6,248,965 B1 \* 6/2001 Thomas ..... 200/240
- 6,373,370 B1 \* 4/2002 Darr et al. .... 337/243
- 6,373,371 B1 4/2002 Doerrwaechter et al.

**FOREIGN PATENT DOCUMENTS**

GB	2205455	12/1988
JP	02-100221	4/1990
JP	04-73835	3/1992
JP	04-129123	4/1992
JP	D1039766	5/1999
JP	D1039766/1	5/1999
JP	D1039766/2	5/1999
JP	D1039766/3	5/1999
JP	D1041782	6/1999
JP	D1057596	1/2000
JP	D1058484	1/2000
JP	D1058485	1/2000
JP	D1058484/1	3/2000
JP	D1058484/2	3/2000
JP	D1058485/1	3/2000
JP	D1058485/2	3/2000
JP	D1097986	1/2001
JP	D1129089	12/2001
JP	D1129574	12/2001

\* cited by examiner

*Primary Examiner*—Ted Shooman

*Assistant Examiner*—Selina Sikder

(74) *Attorney, Agent, or Firm*—Brinks Hofer Gilson & Lione

(57) **CLAIM**

The ornamental design for a fuse, as shown and described.

**DESCRIPTION**

FIG. 1 is a front perspective view of a fuse of the present invention in which broken line portion of the fuse in this and the following figures is for illustrative purposes only and forms no part of the claimed design;  
 FIG. 2 is a first side view thereof;  
 FIG. 3 is a second side view thereof;  
 FIG. 4 is a first end view thereof;  
 FIG. 5 is a second end view thereof;  
 FIG. 6 is a top view thereof; and,  
 FIG. 7 is a bottom view thereof.

**1 Claim, 2 Drawing Sheets**

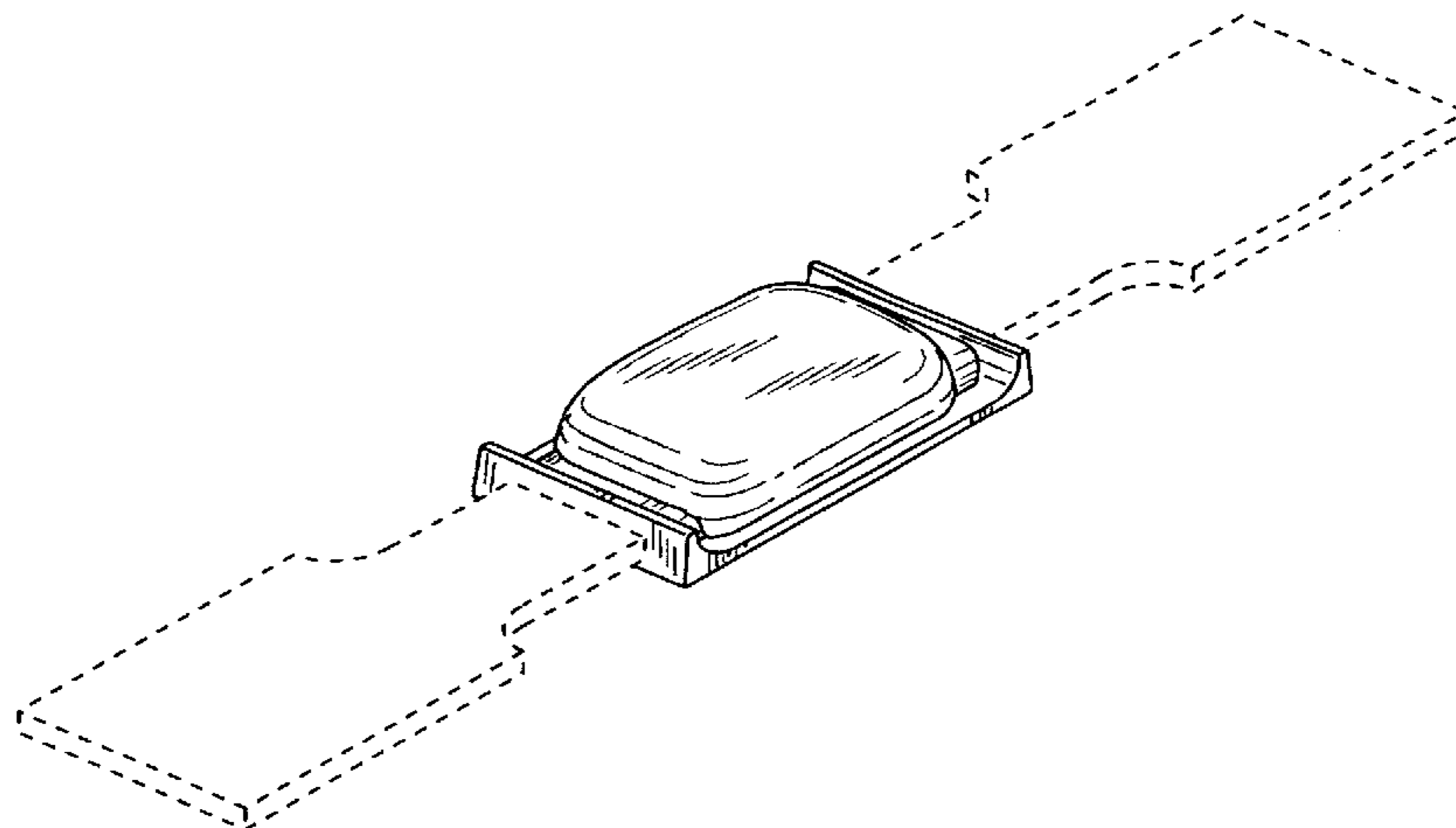


FIG 1

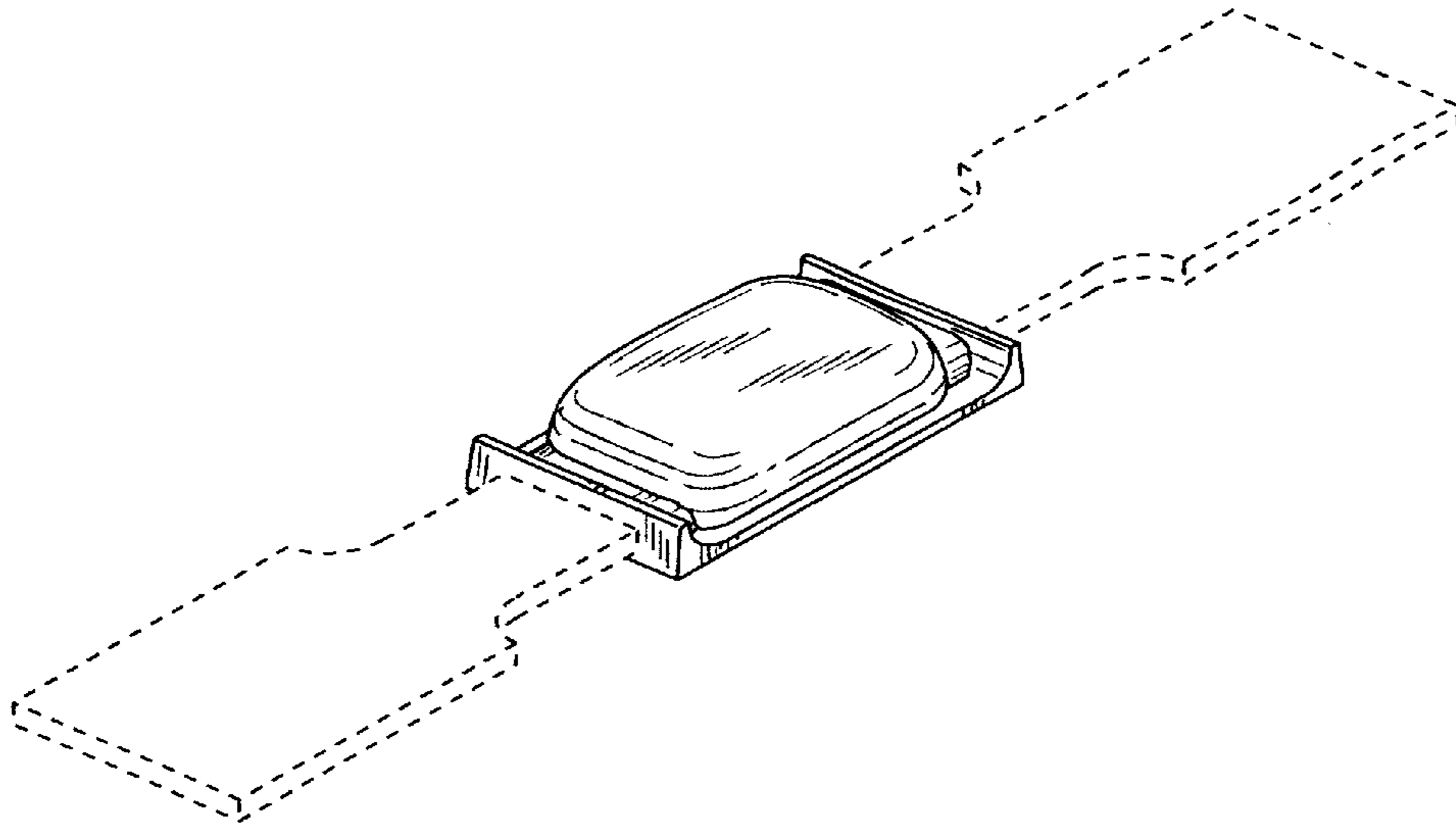


FIG 2

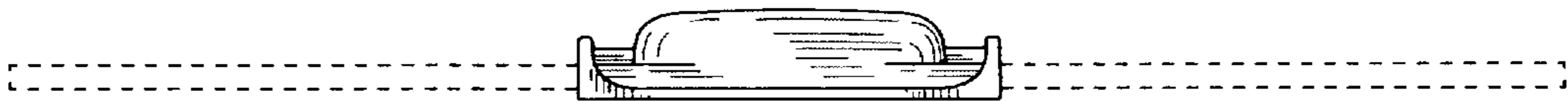


FIG 3

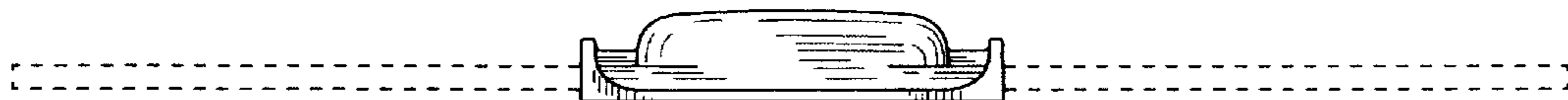


FIG 4

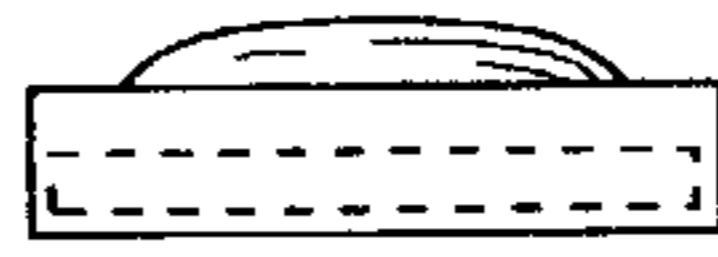


FIG 5

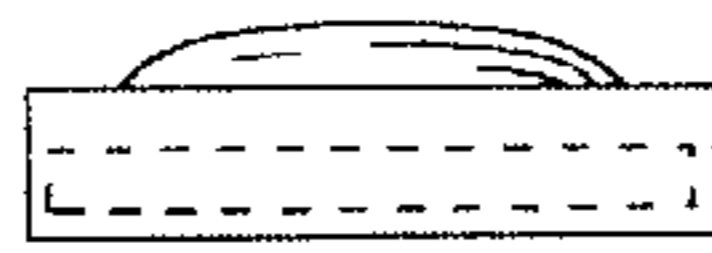


FIG 6

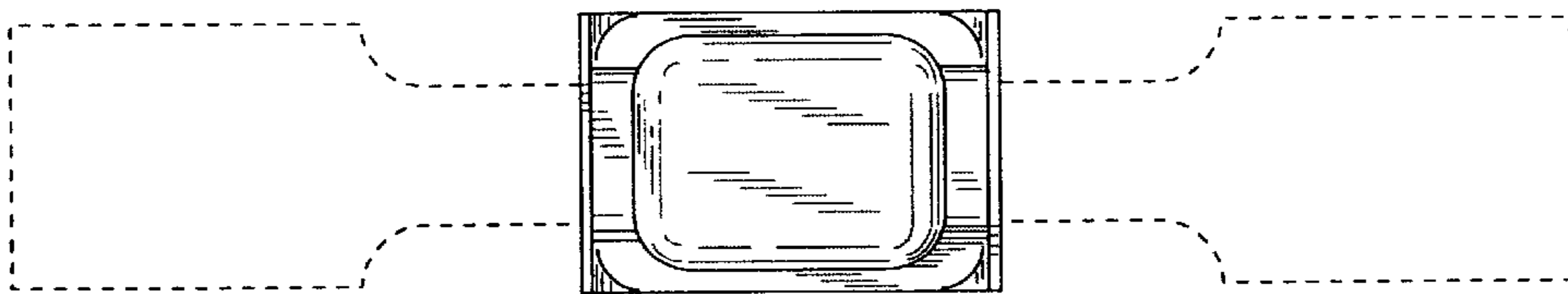
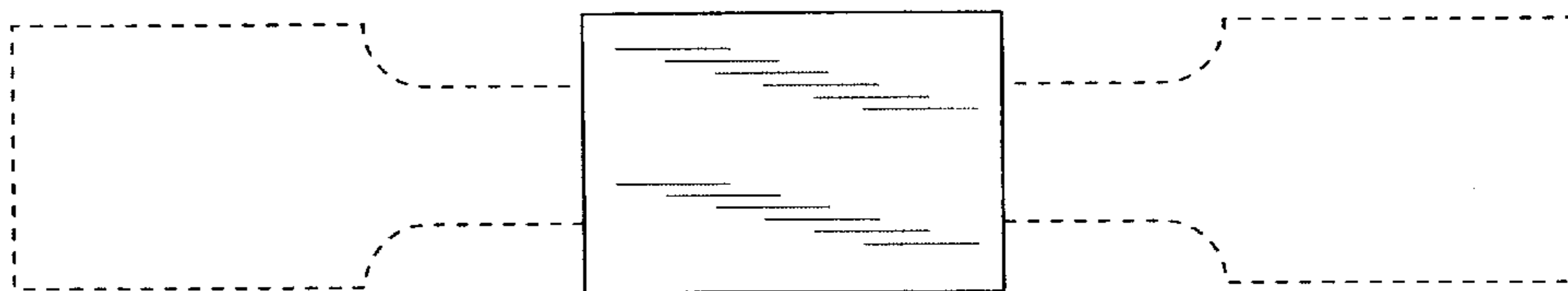


FIG 7



UNITED STATES PATENT AND TRADEMARK OFFICE  
**CERTIFICATE OF CORRECTION**

PATENT NO. : Des. 482,004 S  
APPLICATION NO. : 29/171767  
DATED : November 11, 2003  
INVENTOR(S) : Masatoshi Izaki et al.

Page 1 of 1

It is certified that error appears in the above-identified patent and that said Letters Patent is hereby corrected as shown below:

On the Title Page

In column 1, under “**Related U.S. Application Data**”, item (63), delete “now Pat. No. Des. 113,685.” and substitute --now Pat. No. 6,556,122.-- in its place.

Signed and Sealed this

Twenty-second Day of August, 2006

A handwritten signature in black ink on a dotted background. The signature reads "Jon W. Dudas" in a cursive style.

JON W. DUDAS

*Director of the United States Patent and Trademark Office*