



US00D482002S

(12) **United States Design Patent**  
**Suzuki et al.**

(10) **Patent No.:** **US D482,002 S**

(45) **Date of Patent:** **\*\* Nov. 11, 2003**

(54) **ELECTRICAL CONNECTOR**

(75) Inventors: **Mamoru Suzuki**, Akishima (JP); **Isao Igarashi**, Akishima (JP)

(73) Assignee: **Japan Aviation Electronics Industry, Limited**, Tokyo (JP)

(\*\*) Term: **14 Years**

(21) Appl. No.: **29/172,308**

(22) Filed: **Dec. 10, 2002**

(30) **Foreign Application Priority Data**

Jun. 10, 2002 (JP) ..... 2002-018890

(51) **LOC (7) Cl.** ..... **13-03**

(52) **U.S. Cl.** ..... **D13/147**

(58) **Field of Search** ..... D13/146, 147,  
D13/154; 439/79, 108, 607, 610

(56) **References Cited**

**U.S. PATENT DOCUMENTS**

D427,567 S \* 7/2000 Nishio et al. .... D13/147  
6,224,420 B1 \* 5/2001 Nishio et al. .... 439/566  
D450,302 S \* 11/2001 Shimojyo ..... D13/147  
D452,848 S \* 1/2002 Shimojyo ..... D13/147  
D455,402 S \* 4/2002 Hu ..... D13/147  
6,508,678 B1 \* 1/2003 Yang ..... 439/677

2002/0081903 A1 \* 6/2002 Yang ..... 439/607  
2002/0142657 A1 \* 10/2002 Nishio et al. .... 439/607  
2003/0008566 A1 \* 1/2003 Kato ..... 439/638

\* cited by examiner

*Primary Examiner*—Joel Sincavage

(74) *Attorney, Agent, or Firm*—Collard & Roe, P.C.

(57) **CLAIM**

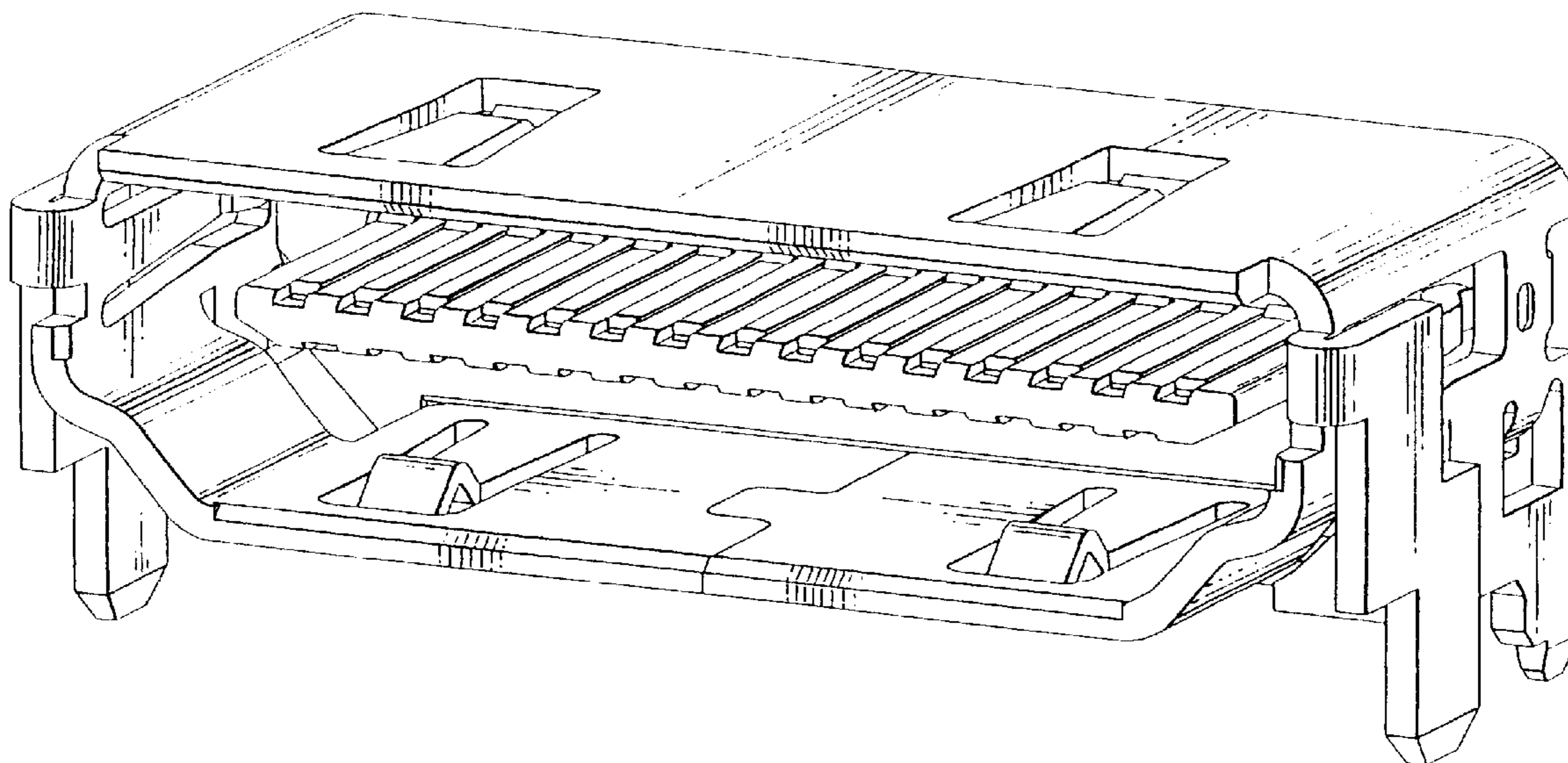
The ornamental design for an electrical connector, as shown and described.

**DESCRIPTION**

FIG. 1 is a front elevational view of an electrical connector; FIG. 2 is a top plan view thereof; FIG. 3 is a rear elevational view thereof; FIG. 4 is a bottom plan view thereof; FIG. 5 is a right side elevational view thereof; FIG. 6 is a cross-sectional view thereof along the line VI—VI in FIG. 1; FIG. 7 is a cross-sectional view thereof along the line VII—VII in FIG. 1; and, FIG. 8 is a perspective view of the front and right side thereof.

A left side elevational view of the electrical connector is omitted because it is presented symmetrical to the right side elevational view of FIG. 5.

**1 Claim, 7 Drawing Sheets**



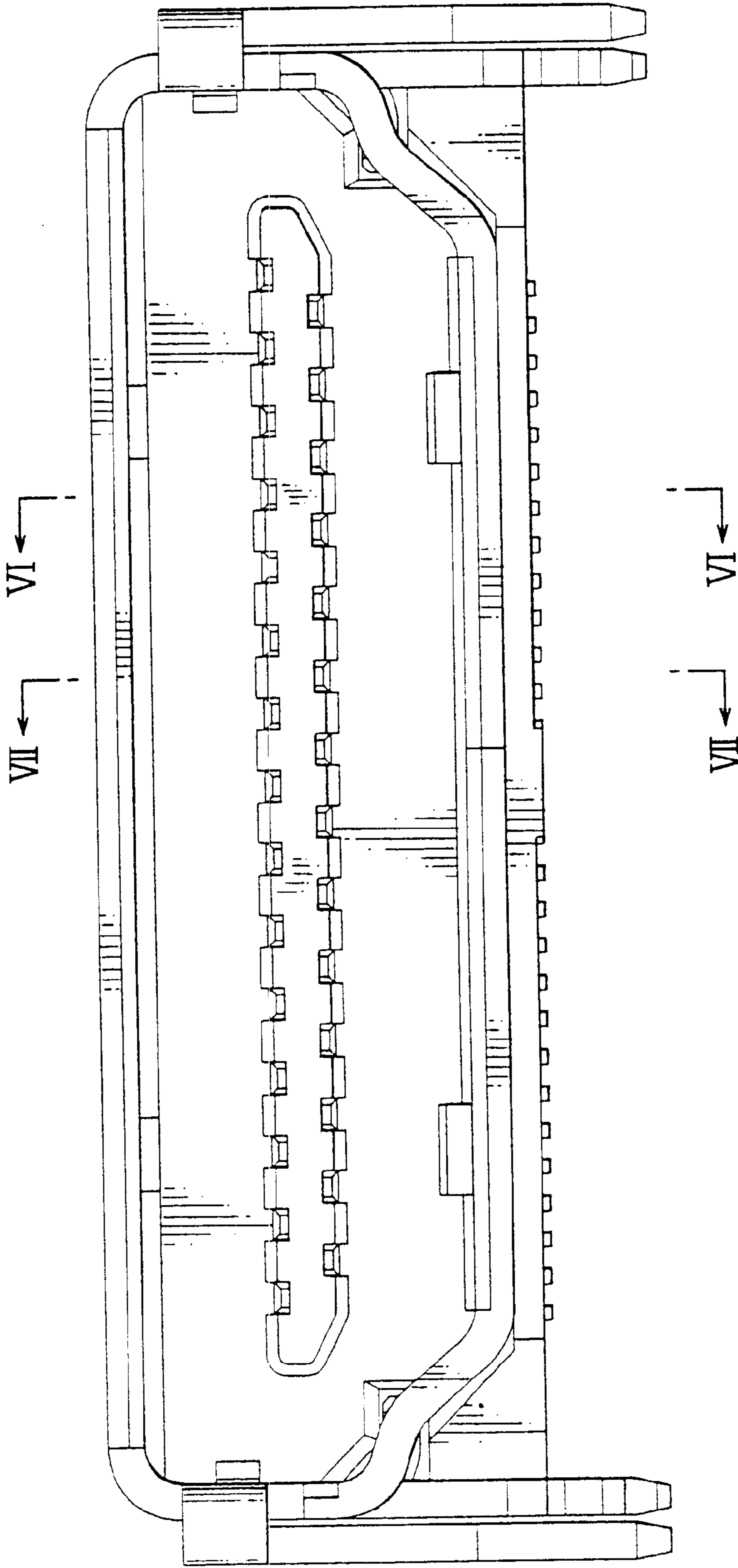


FIG. 1

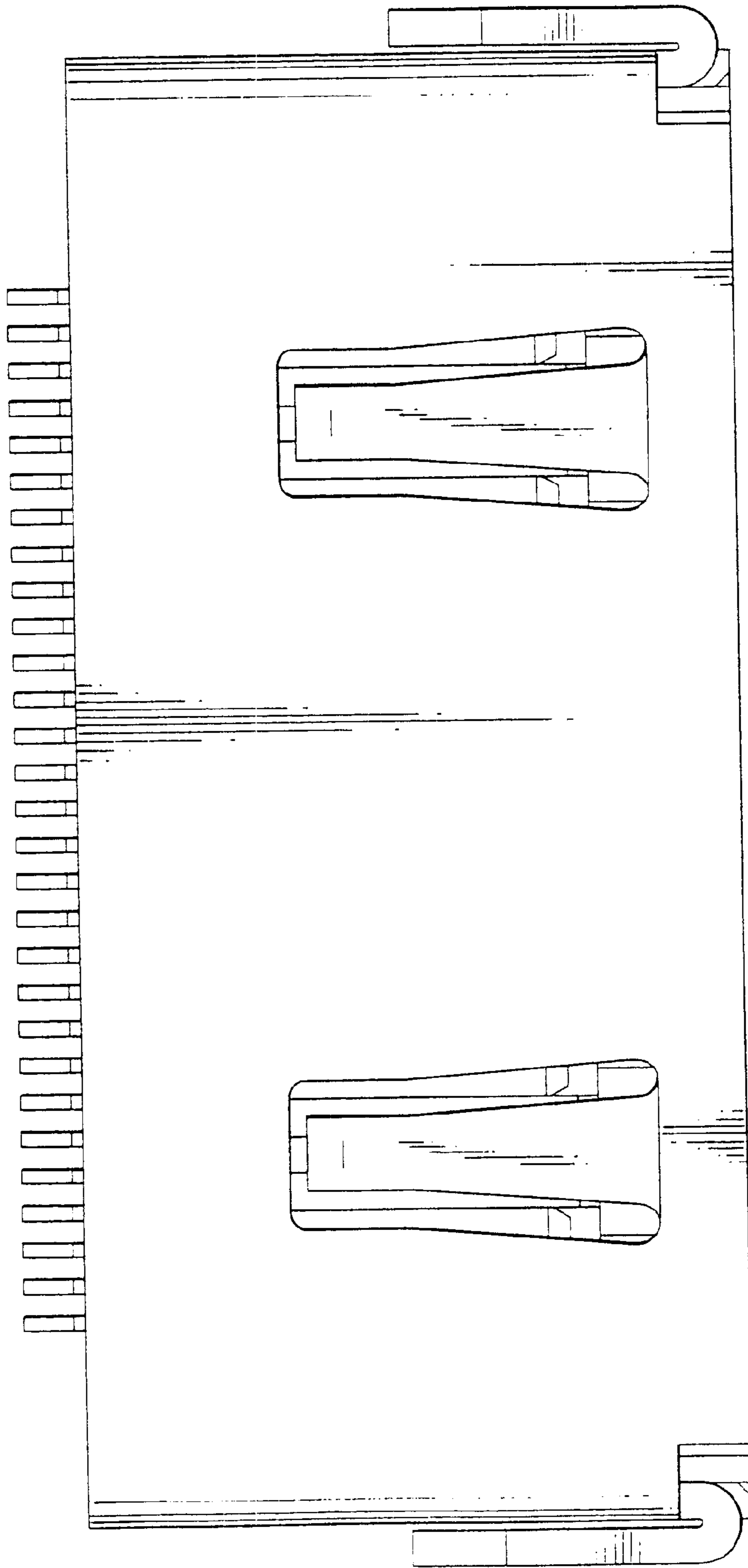


FIG. 2

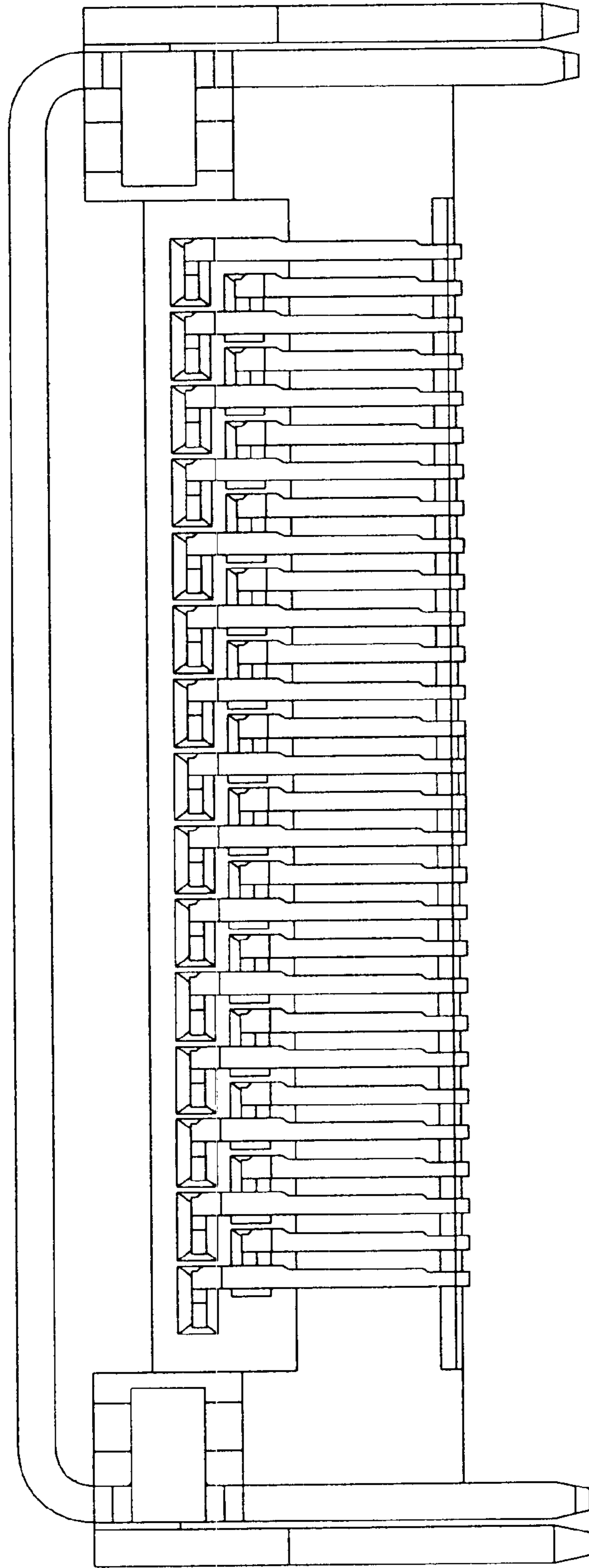


FIG. 3

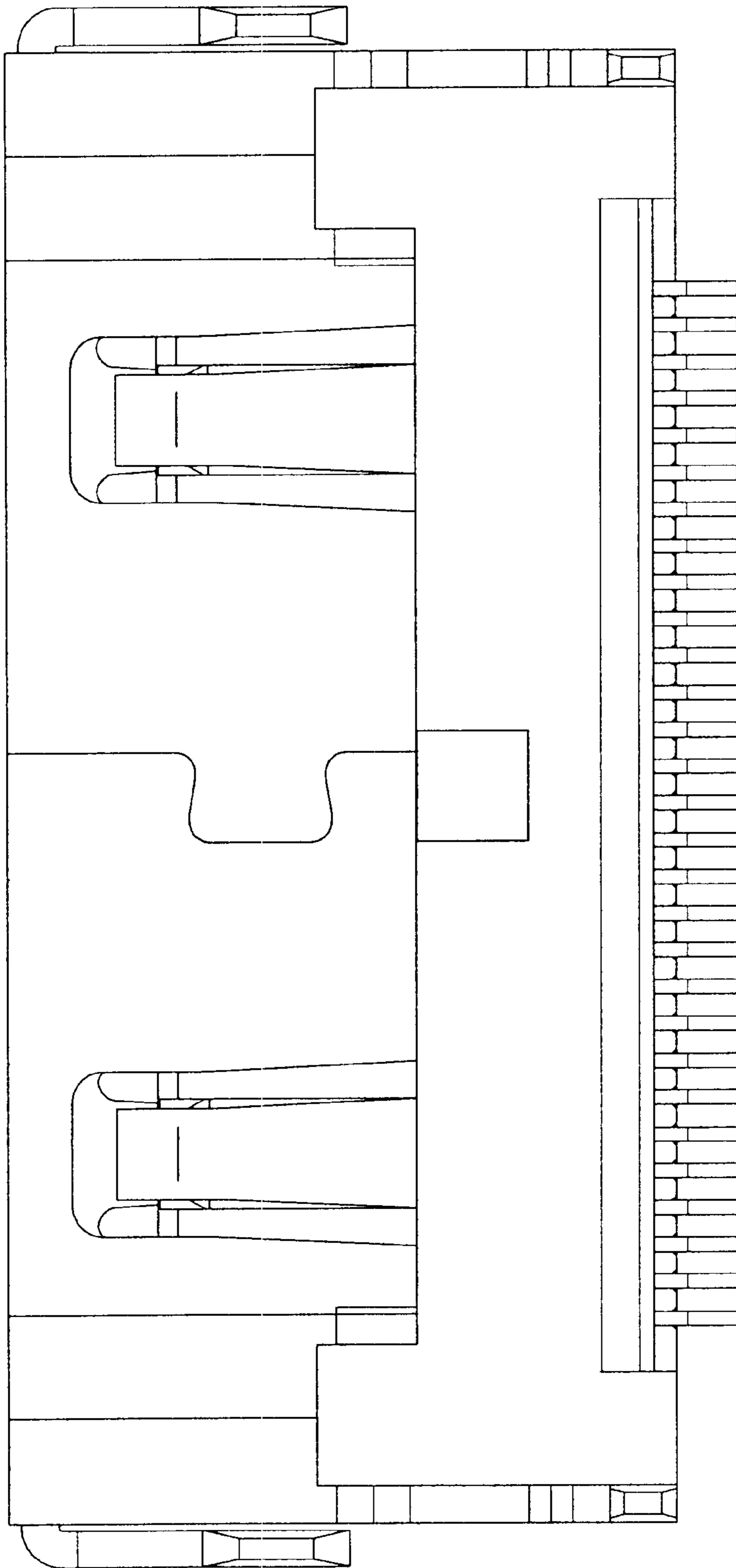


FIG. 4

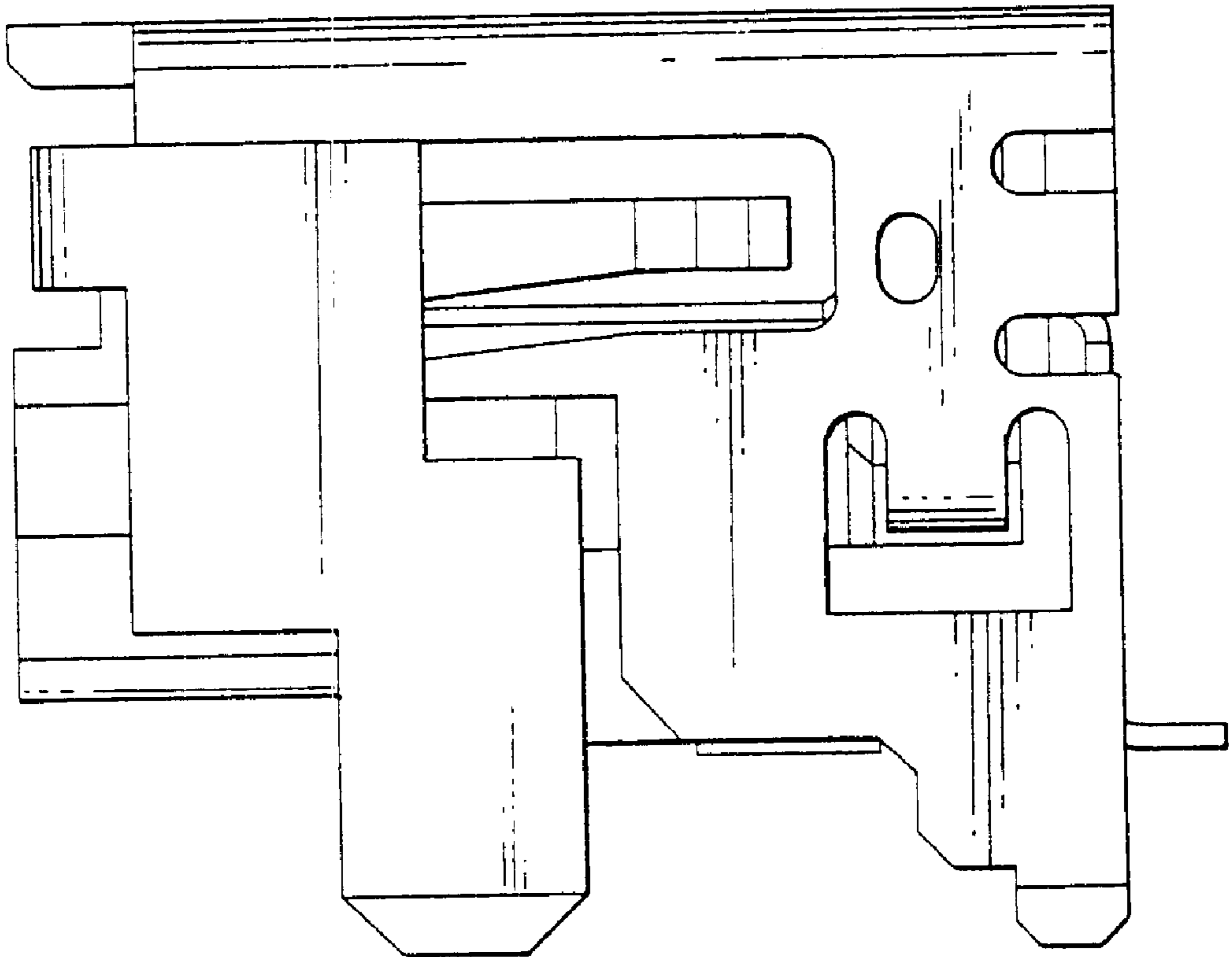


FIG. 5

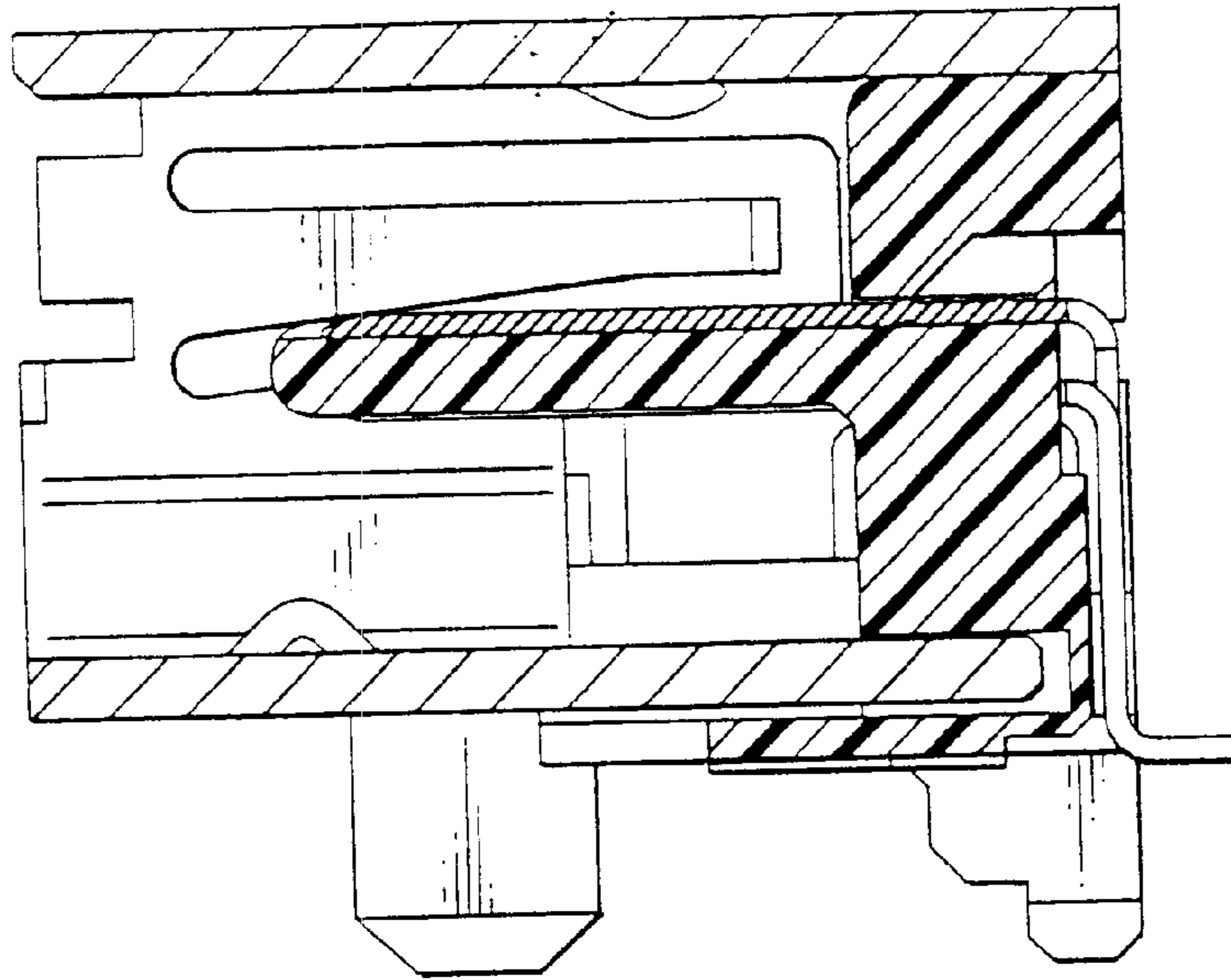


FIG. 6

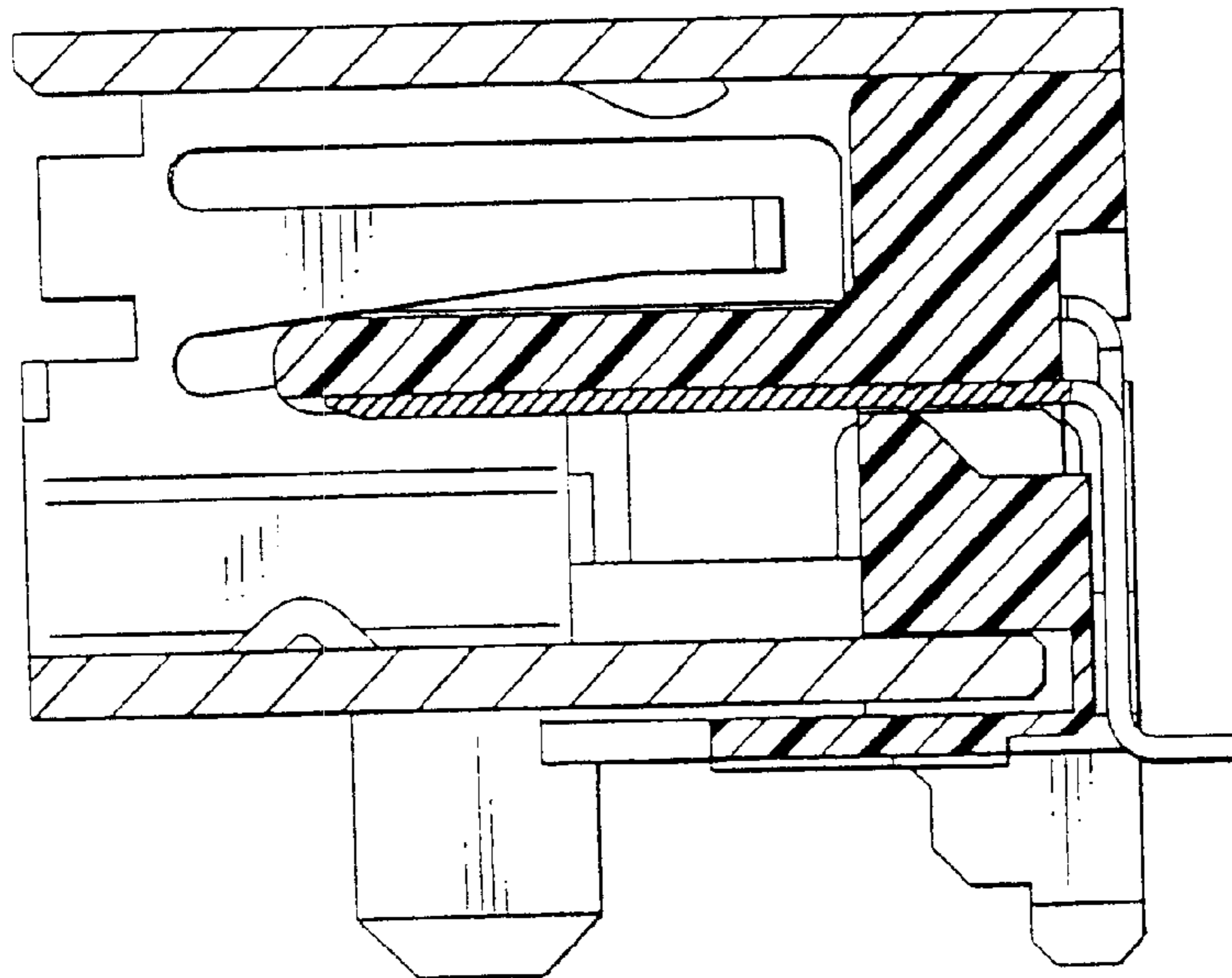


FIG. 7

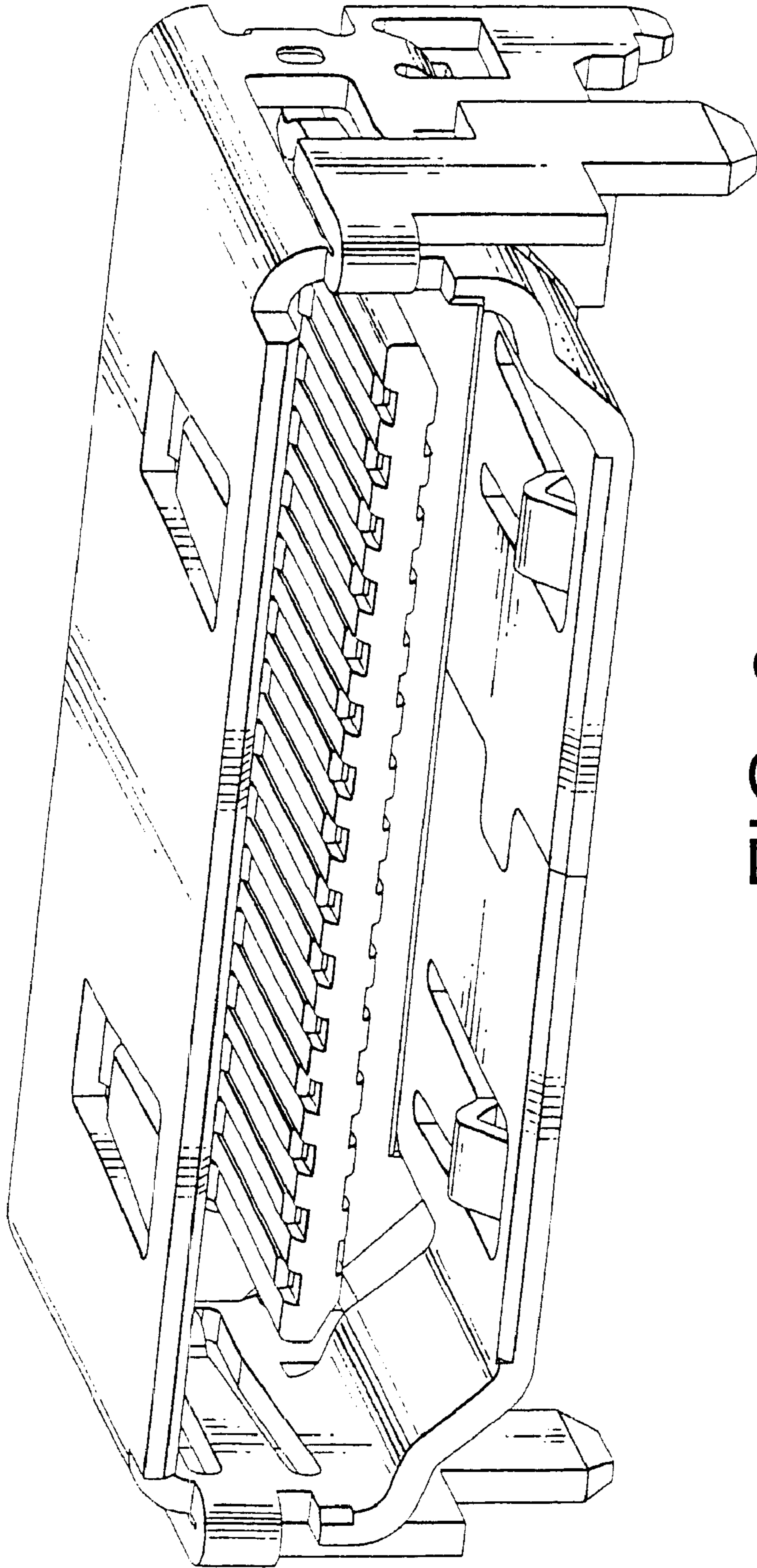


FIG. 8