



US00D482001S

(12) **United States Design Patent**
Hisamatsu et al.

(10) **Patent No.:** **US D482,001 S**

(45) **Date of Patent:** **** Nov. 11, 2003**

(54) **ELECTRICAL CONNECTOR**

D468,268 S * 1/2003 Zhong D13/147
D470,110 S * 2/2003 Yamane D13/147

(75) Inventors: **Kazuhito Hisamatsu**, Hino (JP);
Masayuki Kikuchi, Oume (JP); **Akira Kimura**, Kokubunji (JP)

* cited by examiner

(73) Assignee: **Japan Aviation Electronics Industry, Limited**, Tokyo (JP)

Primary Examiner—Joel Sincavage

(74) *Attorney, Agent, or Firm*—Michael Best & Friedrich LLC

(**) Term: **14 Years**

(57) **CLAIM**

(21) Appl. No.: **29/170,653**

The ornamental design for an electrical connector, as shown and described.

(22) Filed: **Nov. 8, 2002**

DESCRIPTION

(30) **Foreign Application Priority Data**

May 11, 2002 (JP) 2002-016013

(51) **LOC (7) Cl.** **13-03**

(52) **U.S. Cl.** **D13/147**

(58) **Field of Search** D13/147; 439/62,
439/260, 329, 395, 495, 422, 499

FIG. 1 is a top plan view of an electrical connector;
FIG. 2 is a front elevational view thereof;
FIG. 3 is a bottom plan view thereof;
FIG. 4 is a rear elevational view thereof;
FIG. 5 is a right side elevational view thereof;
FIG. 6 is a perspective view of the front and right side thereof; and,
FIG. 7 is another perspective view of the front and right side thereof.

(56) **References Cited**

U.S. PATENT DOCUMENTS

- 5,906,504 A * 5/1999 Igarashi et al. 439/495
- 6,099,346 A * 8/2000 Hashiguchi et al. 439/495
- 6,146,171 A * 11/2000 Kunishi et al. 439/260
- 6,267,623 B1 * 7/2001 Hisamatsu 439/607
- 6,293,818 B1 * 9/2001 Kim et al. 439/495
- D457,138 S * 5/2002 Igarashi D13/147
- 6,416,360 B1 * 7/2002 Zhang et al. 439/607

A left side elevational view of the electrical connector is omitted because it is presented symmetrical to the right side elevational view of FIG. 5.

A printed circuit board used with the electrical connector is drawn by dashed lines in FIG. 7 and forms no part of the claimed design.

1 Claim, 2 Drawing Sheets

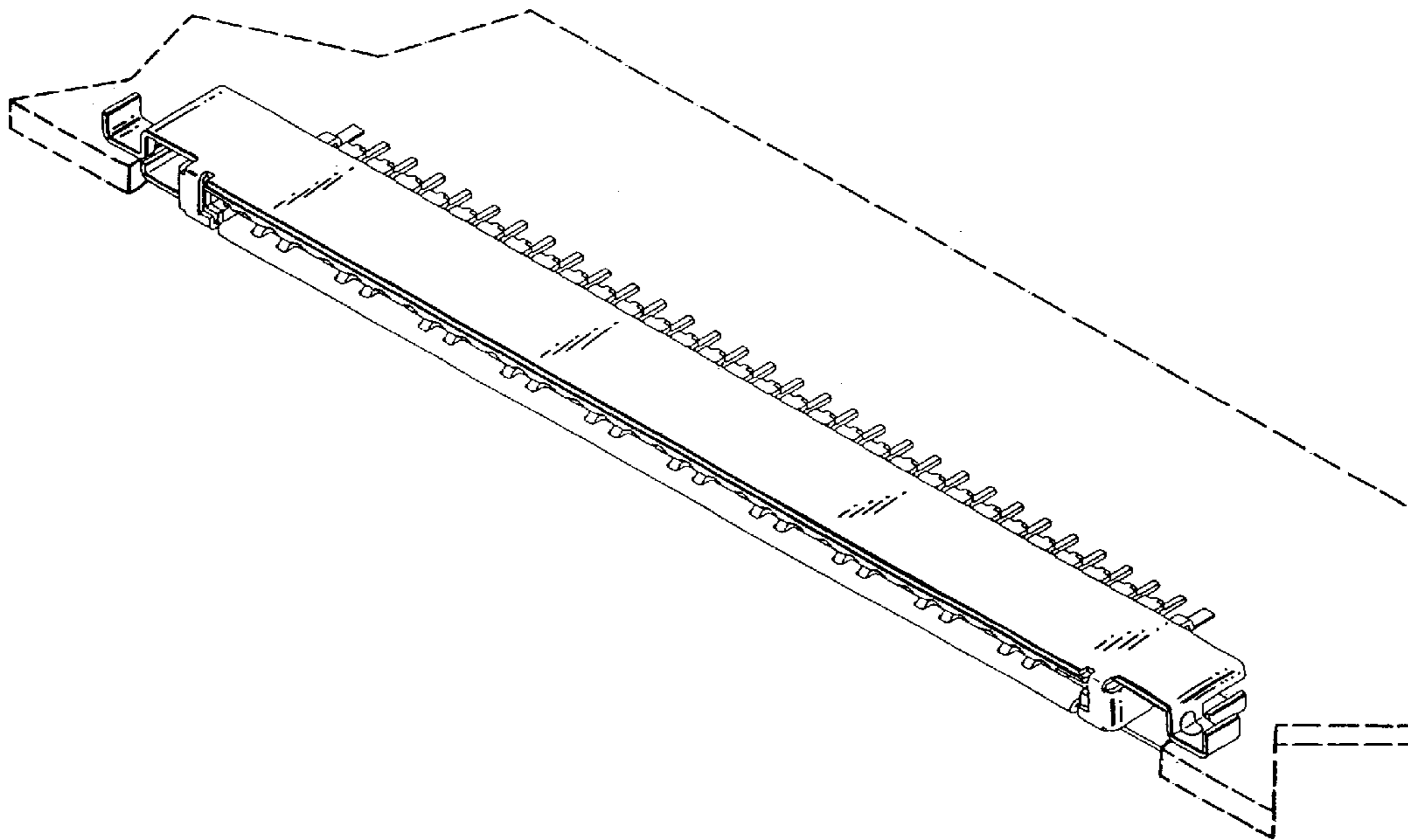


FIG. 1

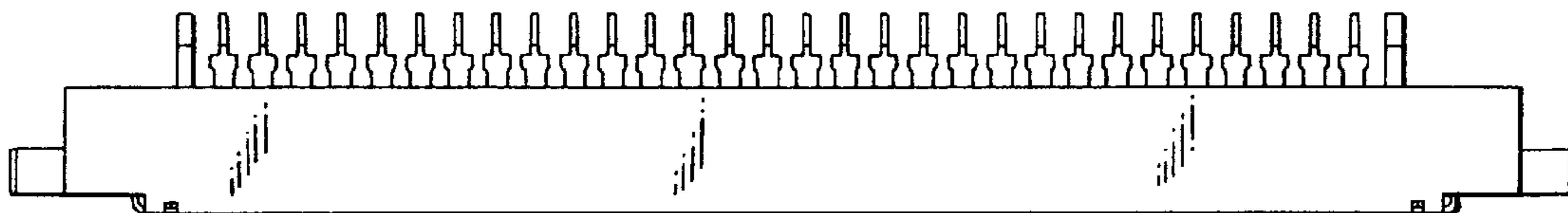


FIG. 2

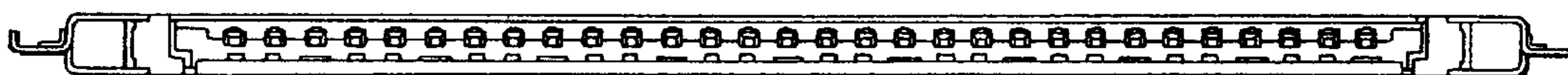


FIG. 3

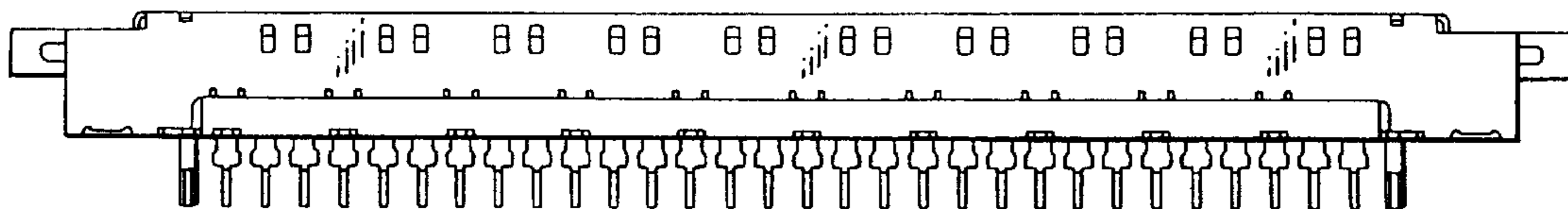


FIG. 4



FIG. 5



FIG. 6

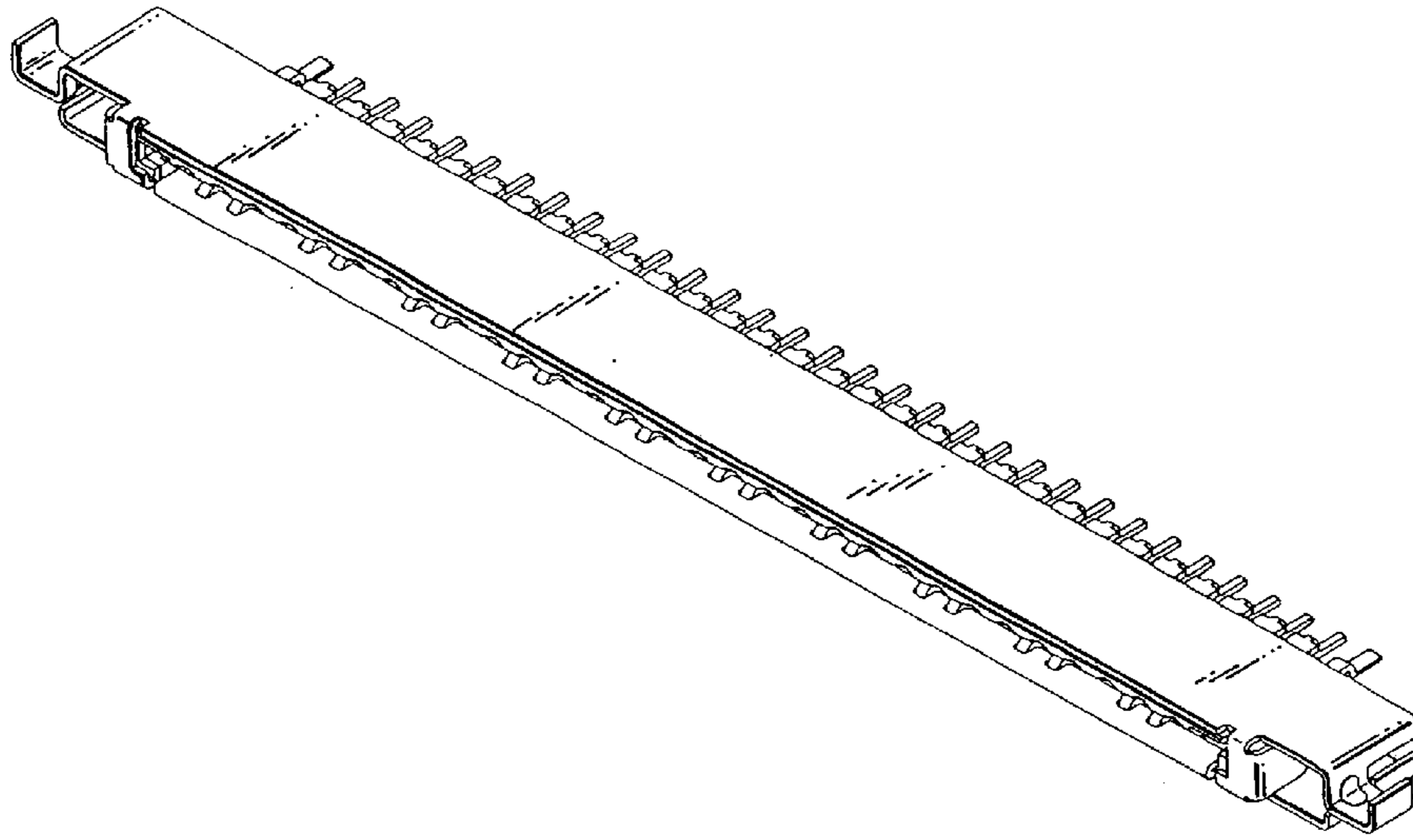


FIG. 7

