



US00D481996S

(12) **United States Design Patent**
Kihira et al.

(10) **Patent No.: US D481,996 S**

(45) **Date of Patent: ** Nov. 11, 2003**

(54) **PRESSURE CONTACT TERMINAL FOR
POWER SUPPLY JACK**

5,993,268 A * 11/1999 Yamaguchi 439/746 X
D464,323 S * 10/2002 Harasawa et al. D13/133 X
6,551,149 B2 * 4/2003 Orihara 439/862

(75) Inventors: **Satoru Kihira**, Kanagawa (JP);
Tsuyoshi Fukami, Kanagawa (JP);
Masato Kato, Kanagawa (JP); **Kiyoshi**
Washino, Kanagawa (JP); **Syoichi**
Takada, Kanagawa (JP)

FOREIGN PATENT DOCUMENTS

JP 1-12386 Y2 4/1989

OTHER PUBLICATIONS

“Connectors Catalog,” vol. 110, p. 730, JST (Dec. 2001).

* cited by examiner

Primary Examiner—Joel Sincavage

(74) *Attorney, Agent, or Firm*—Rader, Fishman & Grauer
PLLC

(73) Assignee: **J.S.T. Mfg. Co., Ltd.**, Osaka (JP)

(**) Term: **14 Years**

(21) Appl. No.: **29/167,652**

(22) Filed: **Sep. 19, 2002**

(30) **Foreign Application Priority Data**

Mar. 20, 2002 (JP) 2002-007441

(51) **LOC (7) Cl.** **13-03**

(52) **U.S. Cl.** **D13/133**

(58) **Field of Search** D13/133; 439/746,
439/749, 834, 862

(56) **References Cited**

U.S. PATENT DOCUMENTS

3,626,361 A * 12/1971 Bonhomme 439/747
4,306,761 A * 12/1981 Ress, Jr. 439/862
RE31,142 E * 2/1983 Simmons 439/746 X
4,702,712 A * 10/1987 Ghorbani et al. 439/596
4,917,635 A * 4/1990 Landries et al. 439/746
5,480,320 A * 1/1996 Saimoto 439/852

(57) **CLAIM**

The ornamental design for a pressure contact terminal for
power supply jack, as shown.

DESCRIPTION

FIG. 1 is a front left top perspective view of a pressure
contact terminal for power supply jack showing our new
design;

FIG. 2 is a rear right top perspective view thereof;

FIG. 3 is a front elevational view thereof;

FIG. 4 is a rear elevational view thereof;

FIG. 5 is a right side elevational view thereof;

FIG. 6 is a left side elevational view thereof;

FIG. 7 is a top plan view thereof; and,

FIG. 8 is a bottom plan view thereof.

1 Claim, 4 Drawing Sheets

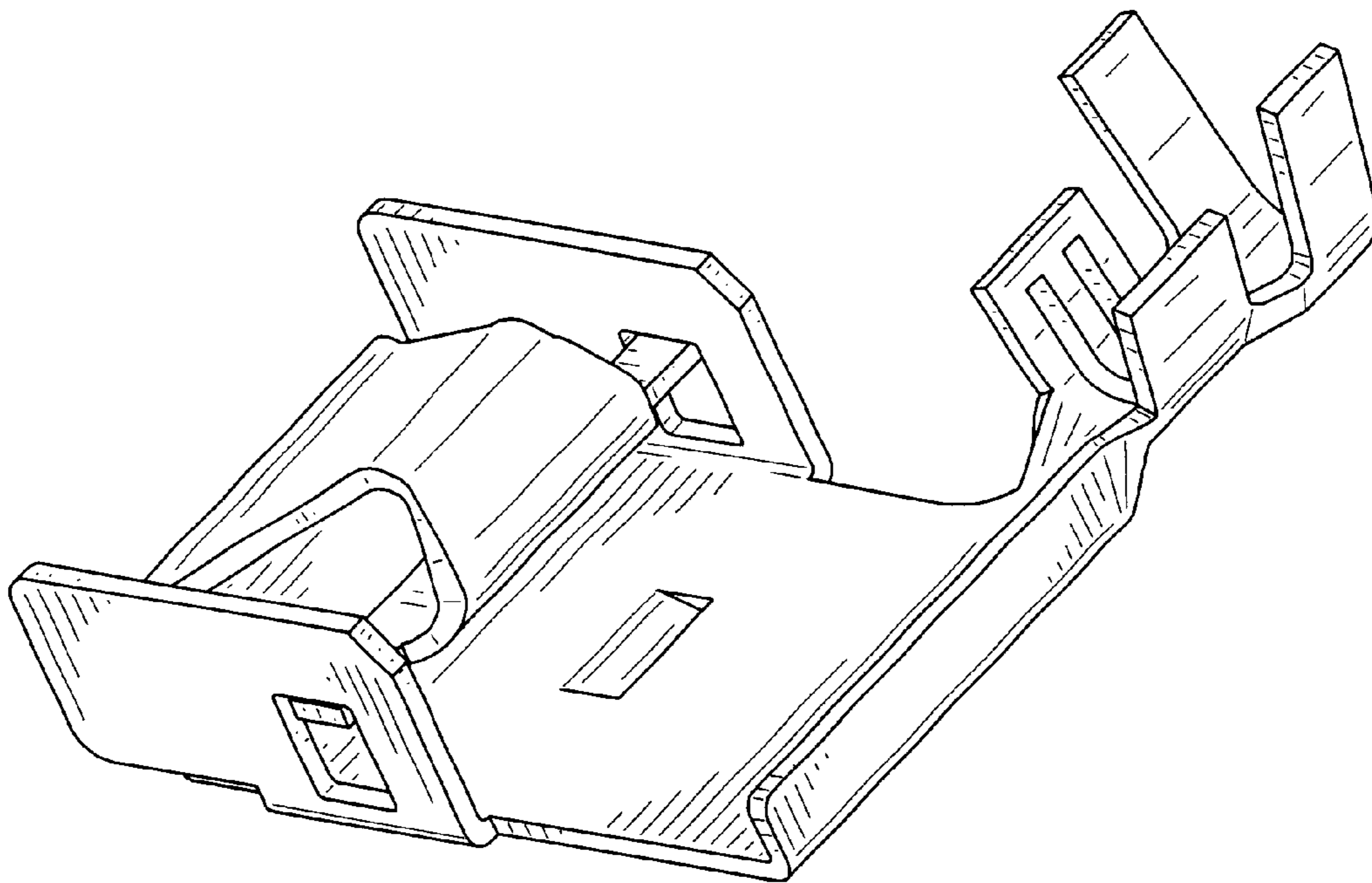


FIG. 1

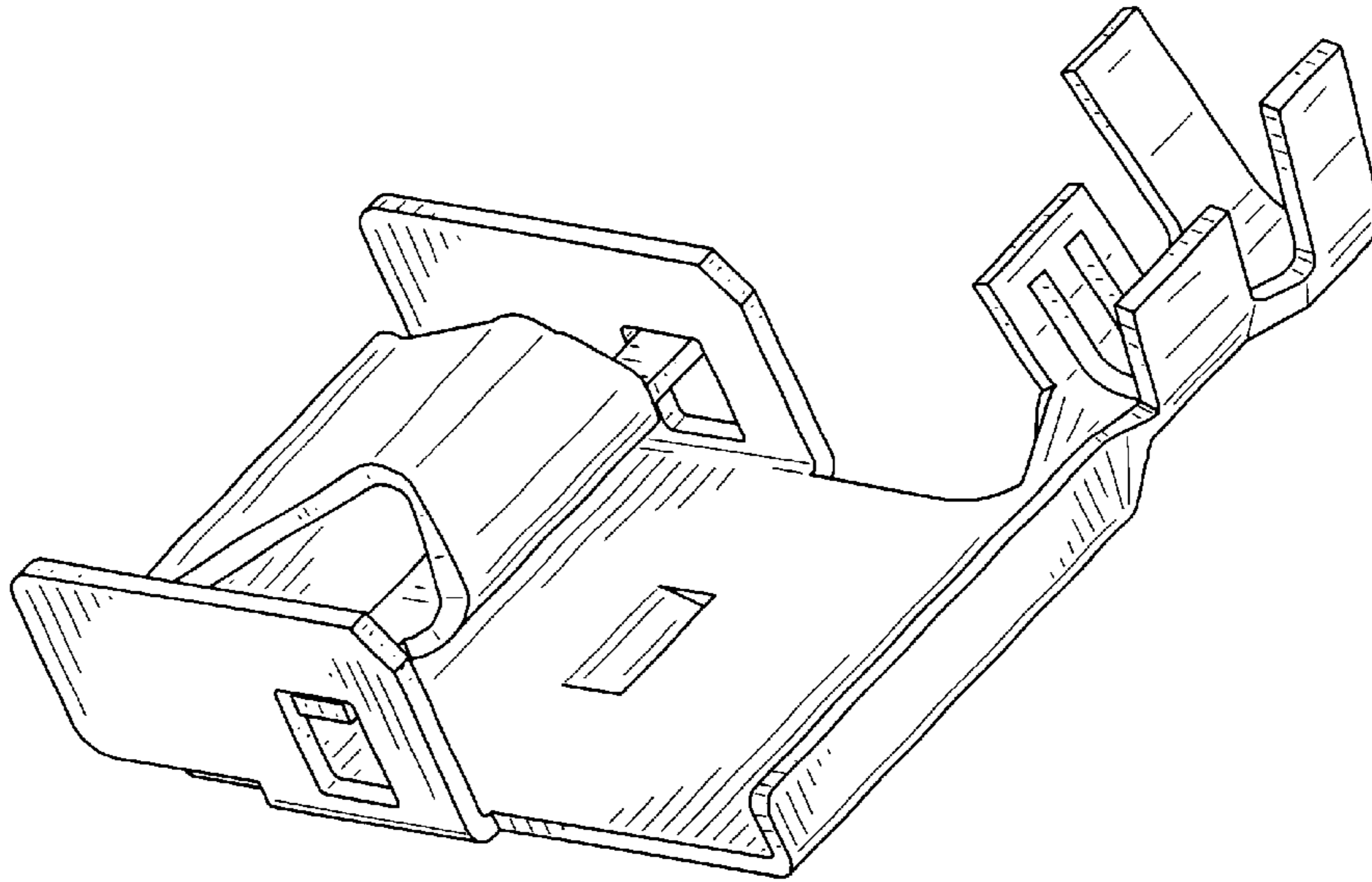


FIG. 2

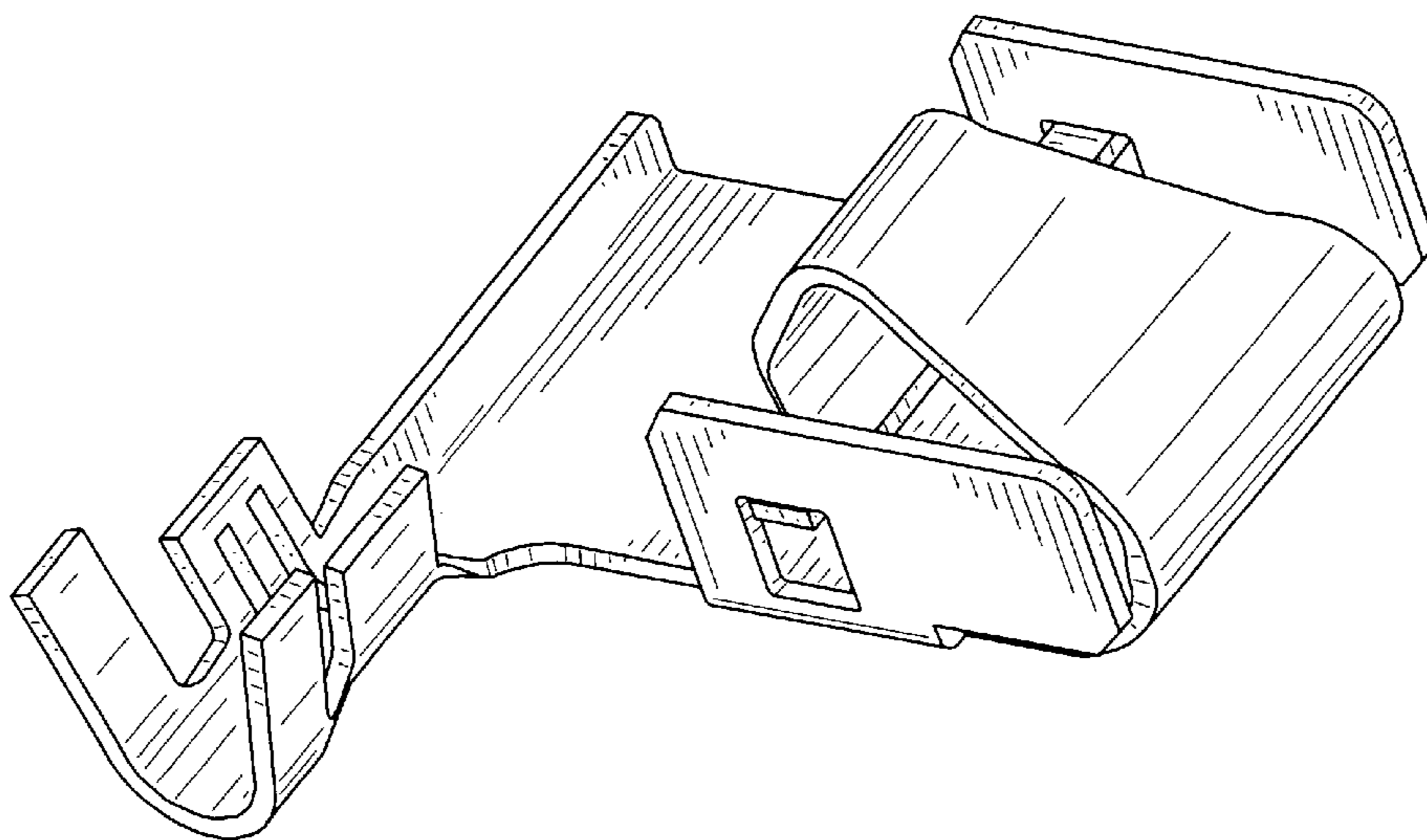


FIG. 3

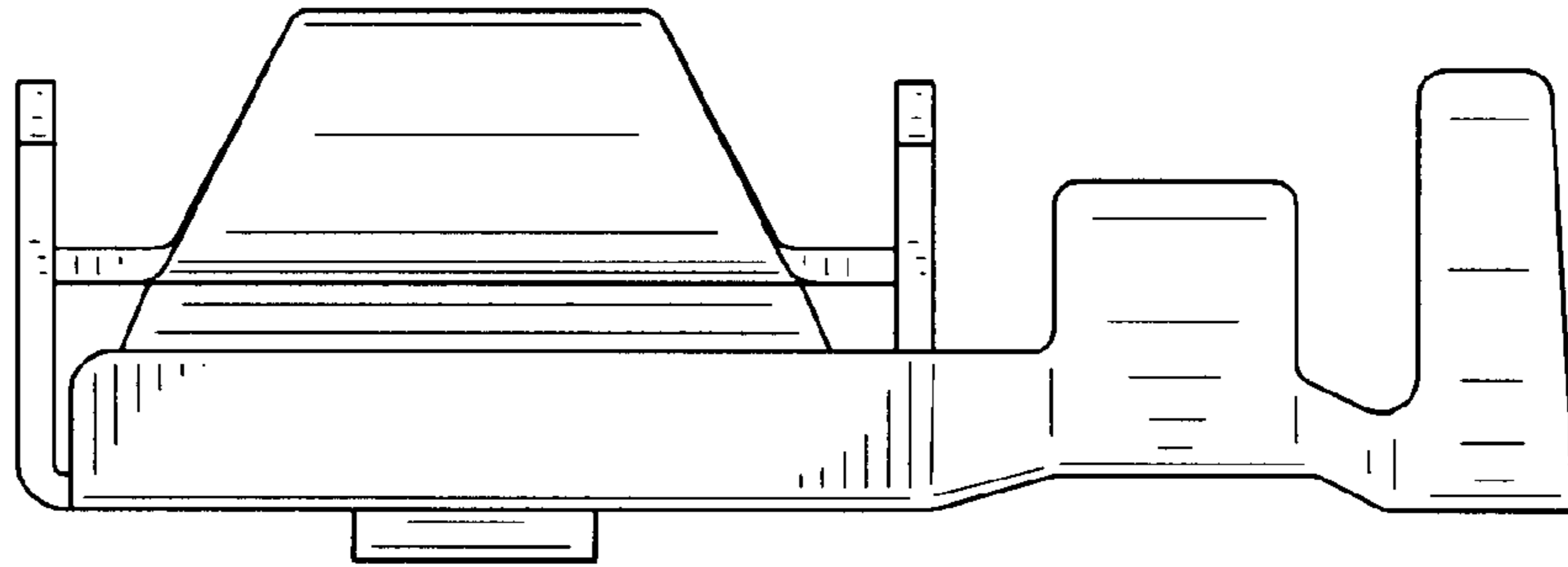


FIG. 4

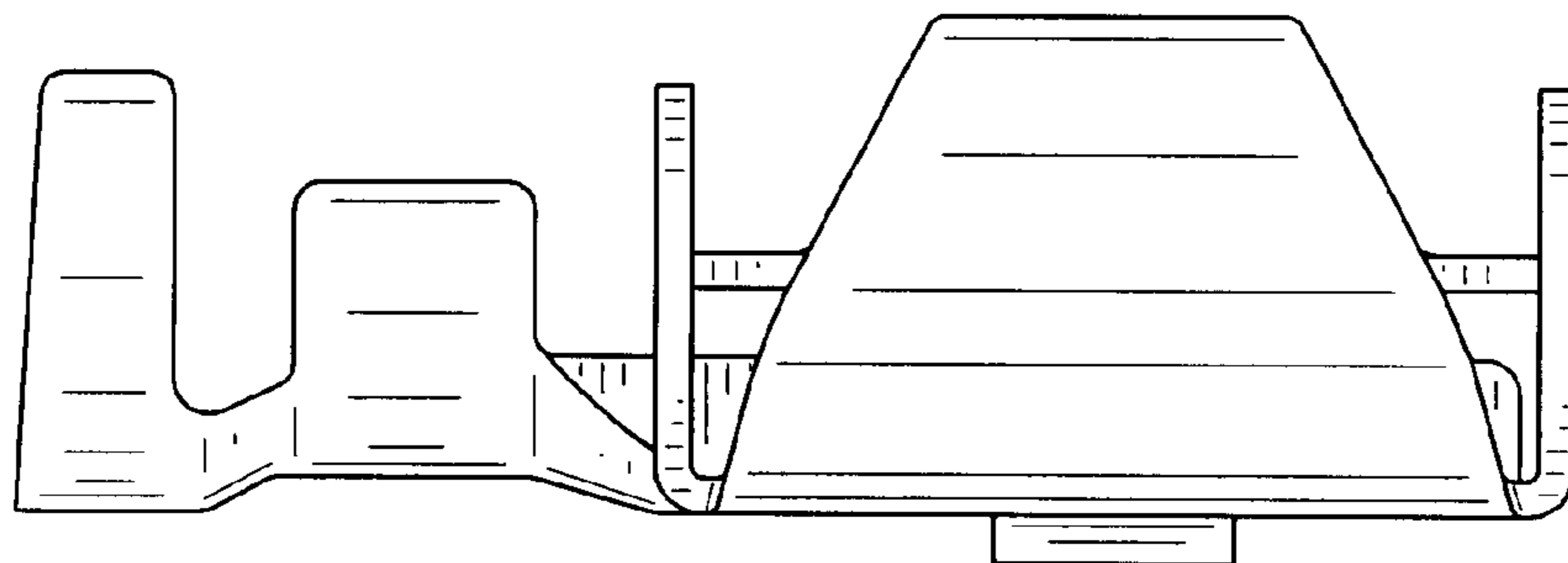


FIG. 5

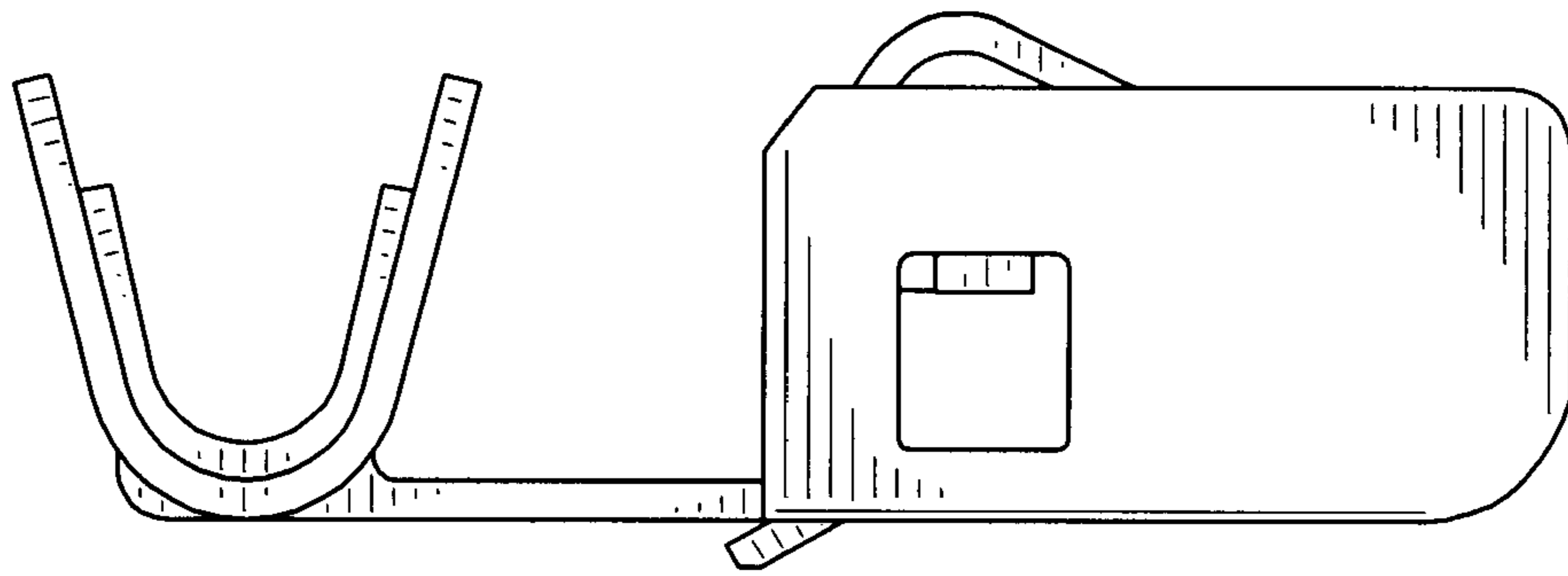


FIG. 6

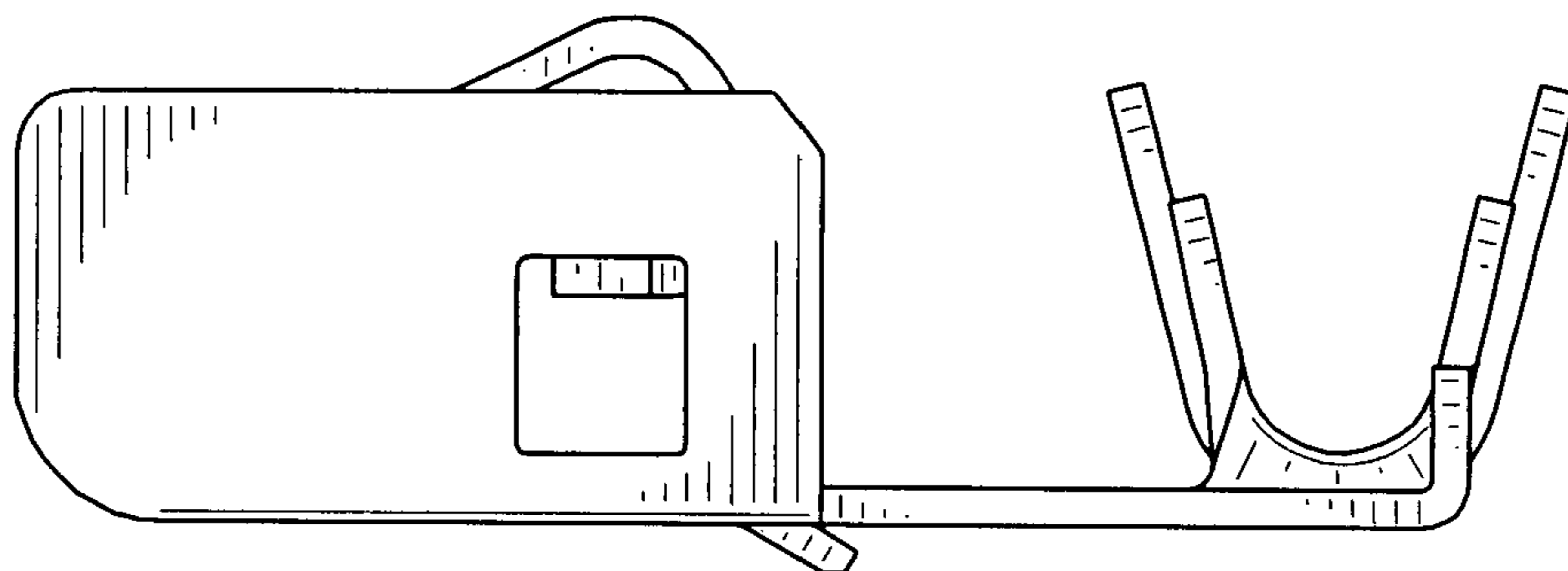


FIG. 7

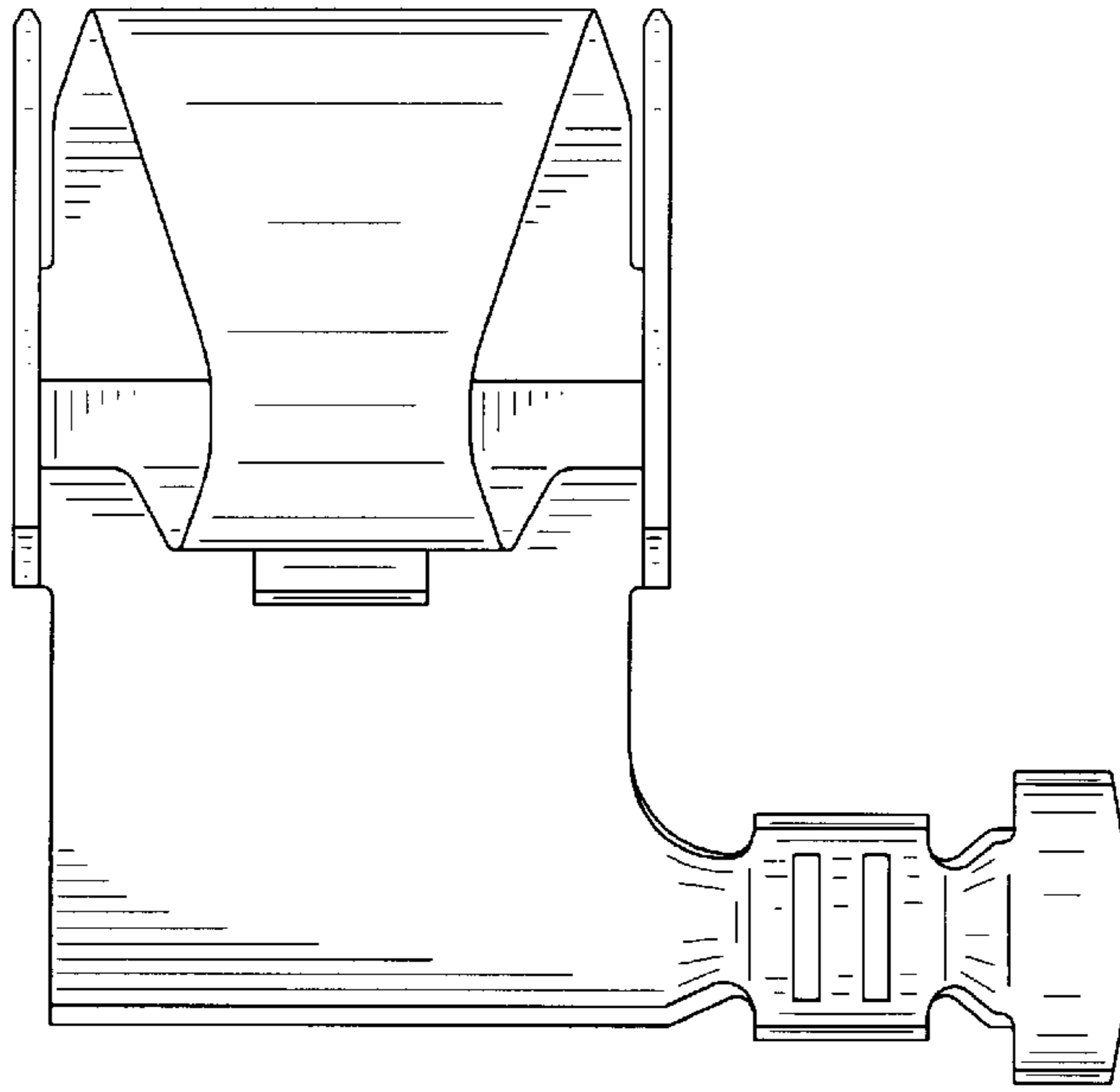


FIG. 8

