



US00D481994S

(12) **United States Design Patent**
Fujihara et al.

(10) **Patent No.:** **US D481,994 S**

(45) **Date of Patent:** **** Nov. 11, 2003**

(54) **BATTERY**

D375,941 S * 11/1996 Kerklaan D14/436 X
6,482,544 B1 * 11/2002 Shiota et al. 429/176 X

(75) Inventors: **Yoshihisa Fujihara**, Osaka (JP); **Naoto Sugimune**, Osaka (JP); **Yoshiki Somatomo**, Osaka (JP)

* cited by examiner

(73) Assignee: **Hitachi Maxell, Ltd.**, Osaka (JP)

Primary Examiner—Joel Sincavage

(**) Term: **14 Years**

(74) *Attorney, Agent, or Firm*—Birch, Stewart, Kolasch & Birch, LLP

(21) Appl. No.: **29/169,730**

(57) **CLAIM**

(22) Filed: **Oct. 25, 2002**

The ornamental design for a battery, as shown and described.

Related U.S. Application Data

DESCRIPTION

(63) Continuation of application No. 29/167,651, filed on Sep. 19, 2002.

FIG. 1 is a perspective view of the battery of the present invention;

(30) **Foreign Application Priority Data**

Mar. 20, 2002 (JP) 2002-007448

FIG. 2 is a front view of the battery of the present invention;

(51) **LOC (7) Cl.** **13-02**

(52) **U.S. Cl.** **D13/103**

FIG. 3 is a rear view of the battery of the present invention;

(58) **Field of Search** D13/103, 119;

D14/436; 429/96-100, 159, 162, 163, 176

FIG. 4 is a left side view of the battery of the present invention;

FIG. 5 is a right side view of the battery of the present invention;

FIG. 6 is a top plan view of the battery of the present invention; and,

FIG. 7 is a bottom view of the battery of the present invention.

(56) **References Cited**

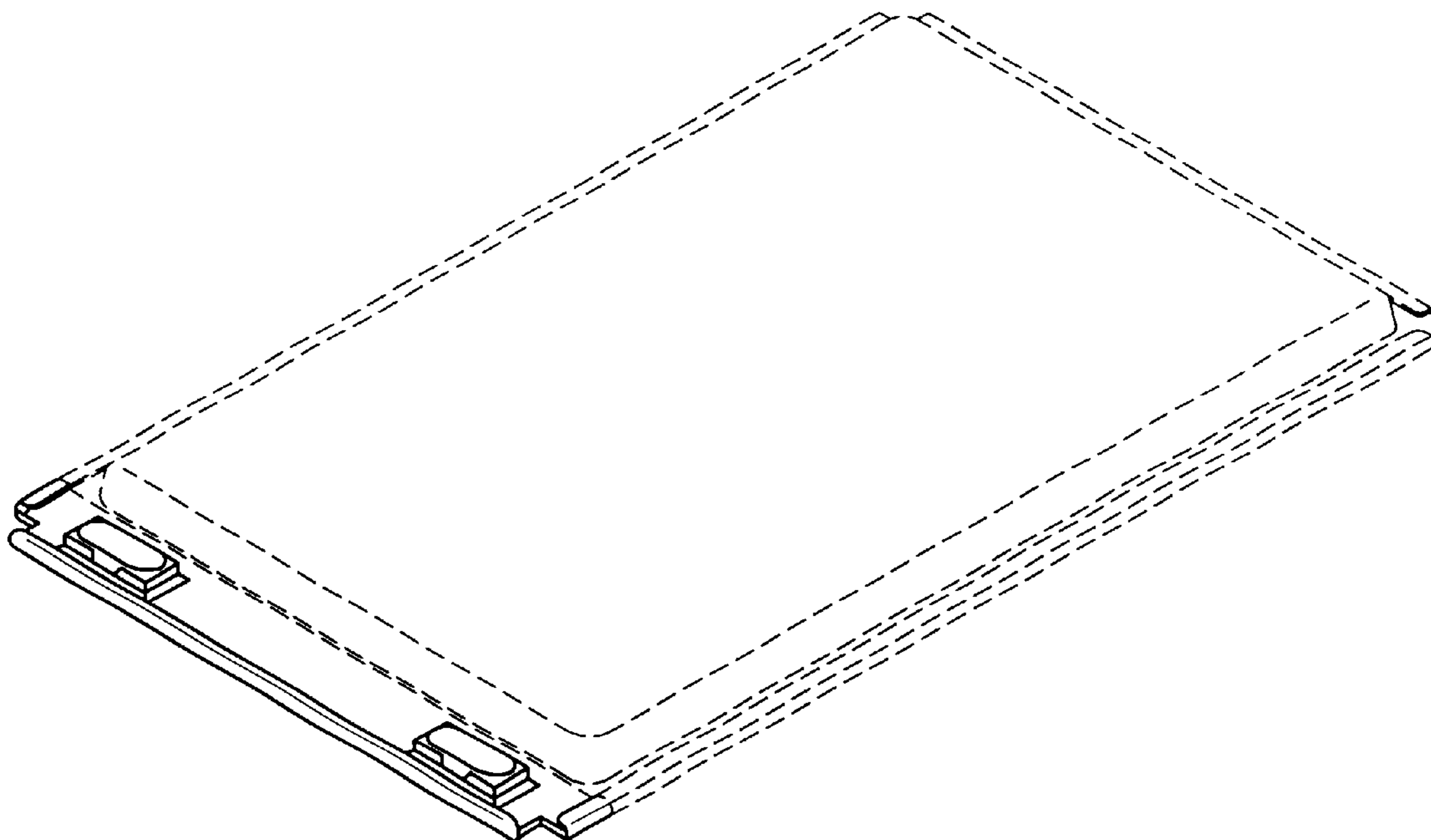
The broken lines throughout the drawing figures are included for the purpose of illustrating portions of the battery that form no part of the claimed design.

U.S. PATENT DOCUMENTS

4,060,669 A * 11/1977 Fanciullo 429/162 X

D302,005 S * 7/1989 Kizawa et al. D13/103

1 Claim, 4 Drawing Sheets



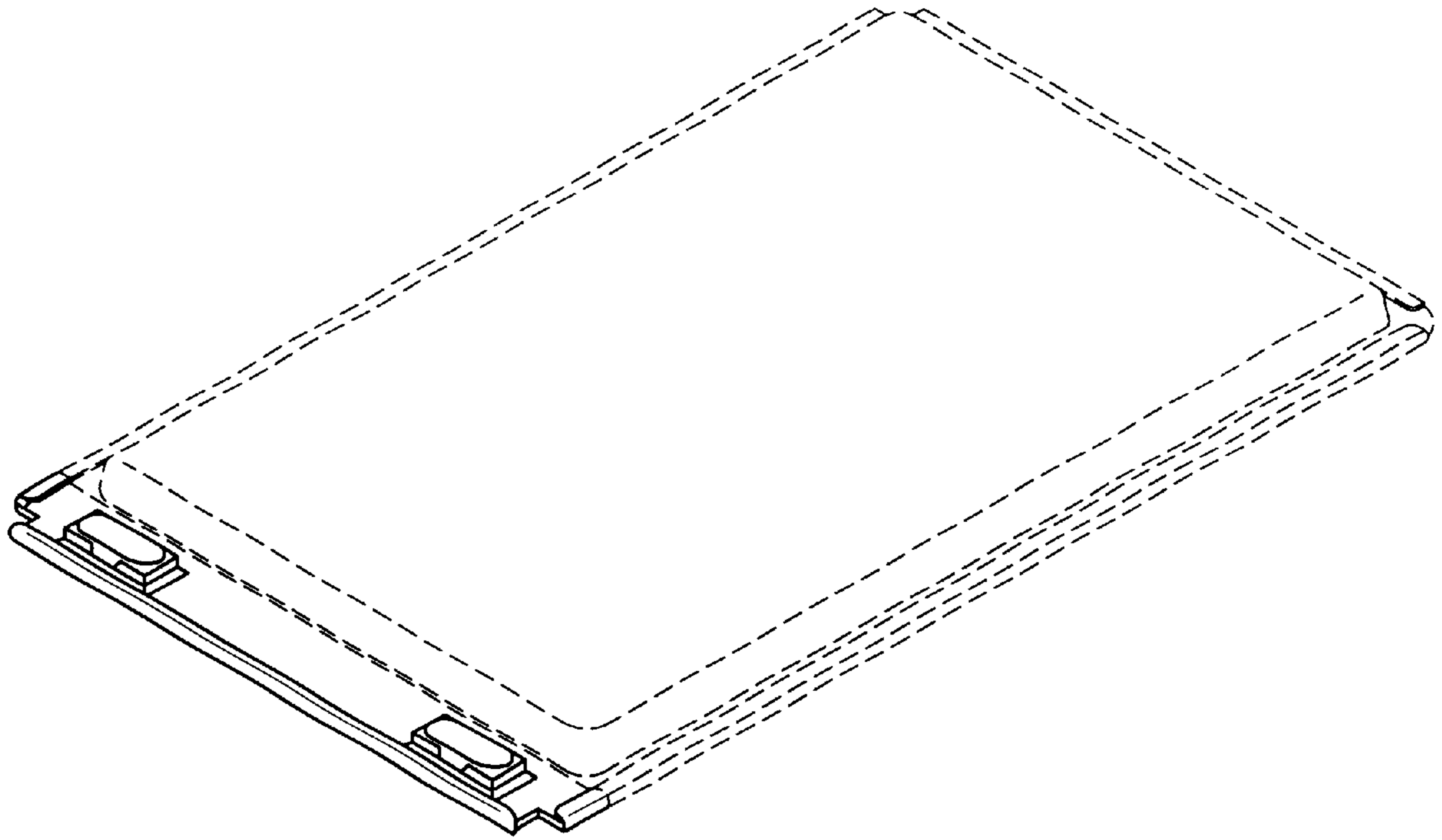


FIG. 1

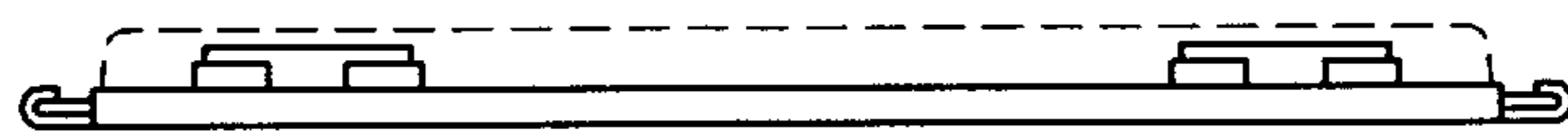


FIG. 2

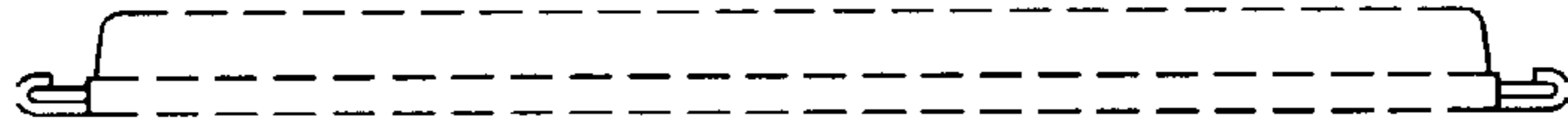


FIG.3

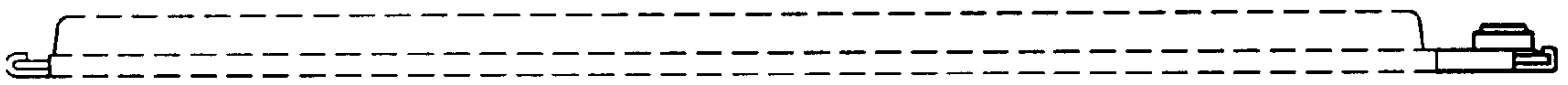


FIG.4

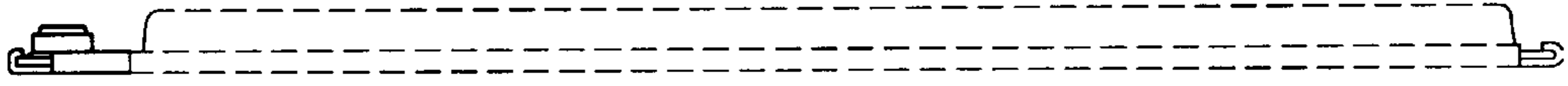


FIG. 5

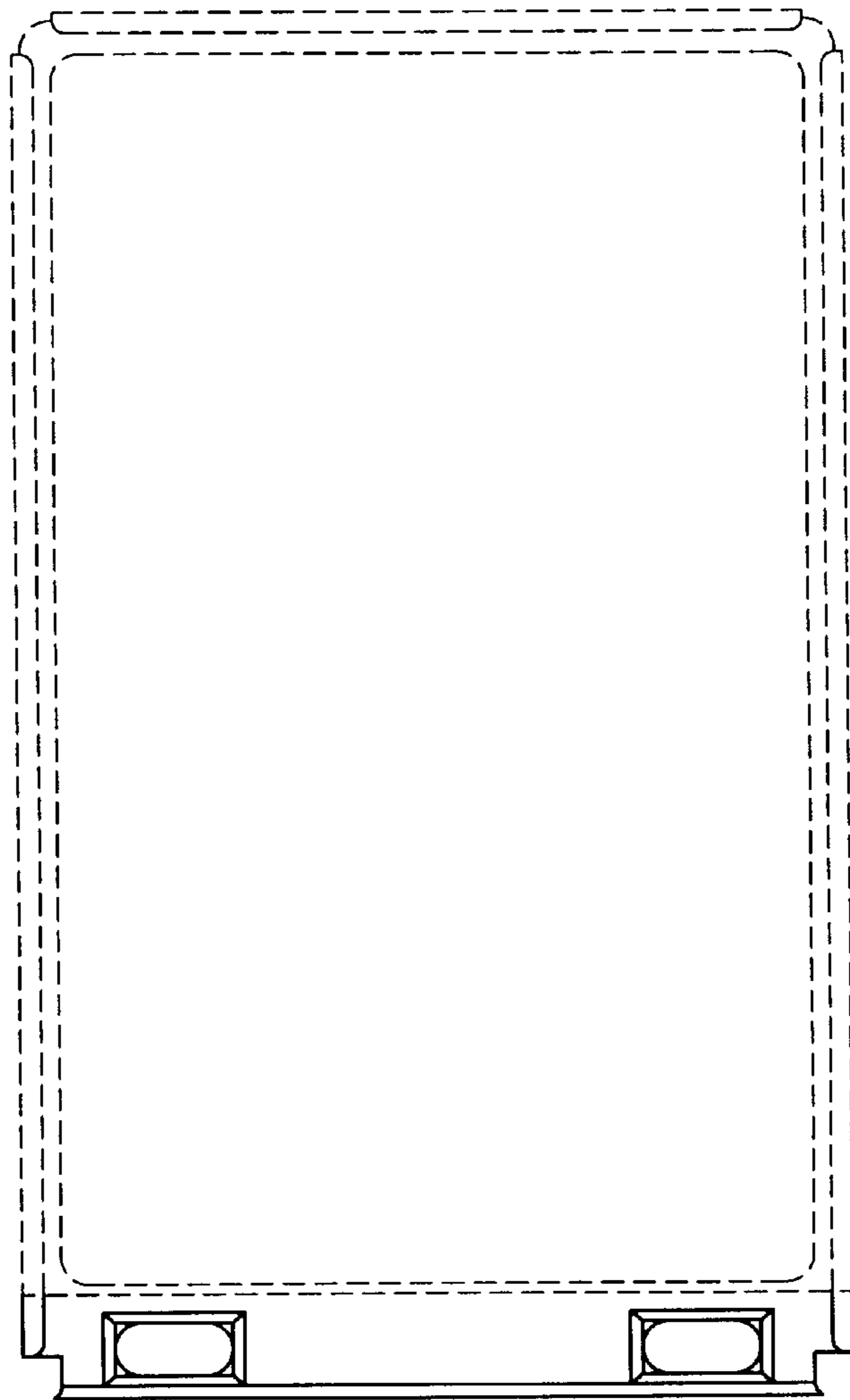


FIG. 6

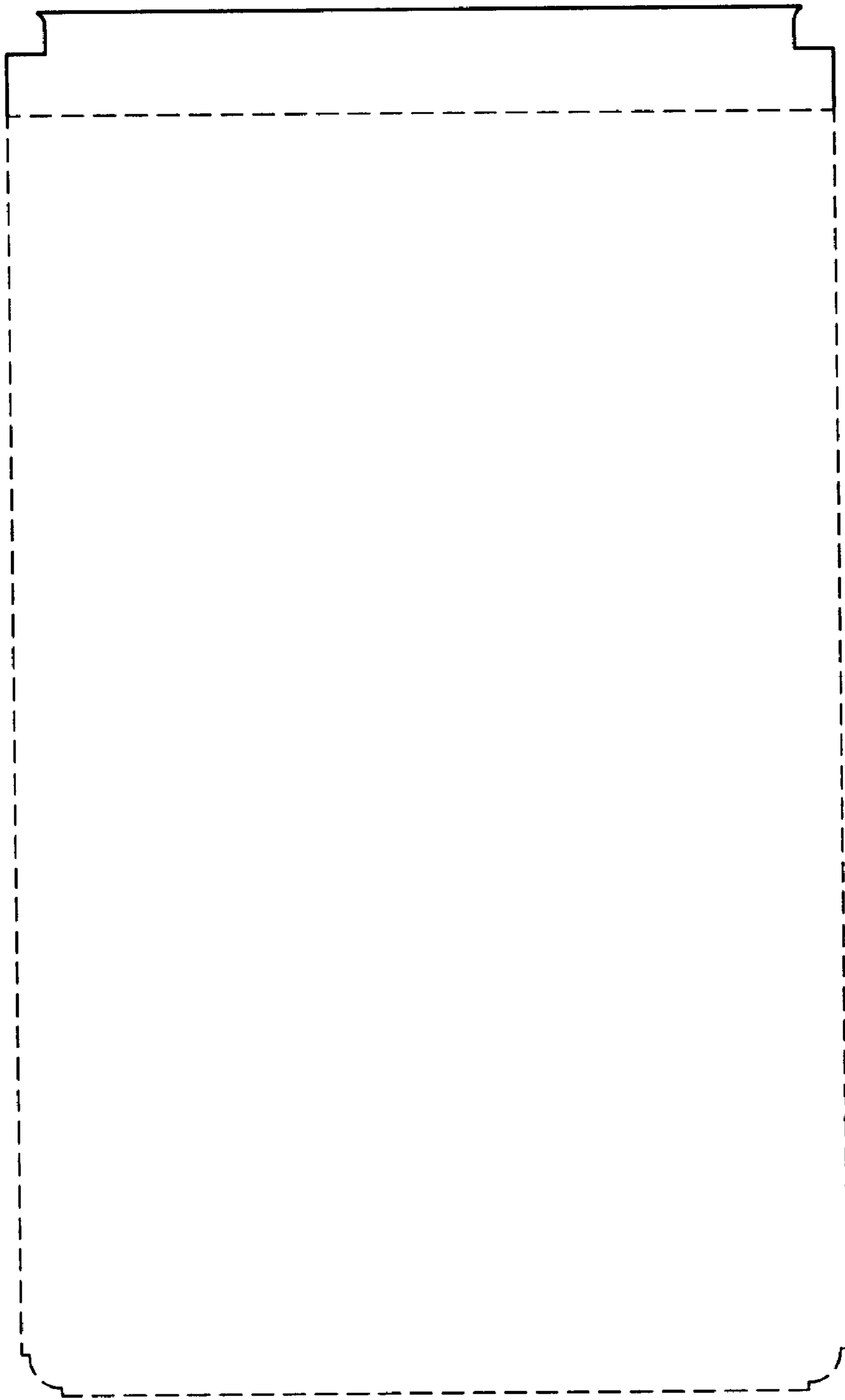


FIG. 7