



US00D481993S

(12) **United States Design Patent**
Searle

(10) **Patent No.: US D481,993 S**

(45) **Date of Patent: ** Nov. 11, 2003**

(54) **BATTERY**

(75) Inventor: **Gary M. Searle**, Norfolk, MA (US)

(73) Assignee: **The Gillette Company**, Boston, MA (US)

(**) Term: **14 Years**

(21) Appl. No.: **29/129,672**

(22) Filed: **Sep. 19, 2000**

Related U.S. Application Data

(62) Division of application No. 09/374,277, filed on Aug. 13, 1999, now Pat. No. 6,232,007.

(51) **LOC (7) Cl. 13-02**

(52) **U.S. Cl. D13/103**

(58) **Field of Search D13/103; 439/96-100, 439/159, 163, 176**

(56) **References Cited**

U.S. PATENT DOCUMENTS

1,163,163 A	*	12/1915	Lutz	429/167
2,759,038 A		8/1956	Marsal	
3,754,997 A	*	8/1973	Ralston	429/168
3,840,404 A		10/1974	Porter et al.	
3,963,519 A	*	6/1976	Louie	429/29
4,105,830 A		8/1978	Kordesch	
4,112,198 A		9/1978	Przybyla et al.	
4,591,539 A		5/1986	Oltman et al.	
4,592,972 A		6/1986	Juergens et al.	
4,871,627 A		10/1989	Strong et al.	
4,877,694 A		10/1989	Solomon et al.	
4,950,561 A		8/1990	Niksa et al.	
5,242,763 A		9/1993	Konishi et al.	
5,328,777 A		7/1994	Bentz et al.	
5,443,924 A	*	8/1995	Spellman	429/65
5,447,805 A		9/1995	Harats et al.	
5,554,452 A		9/1996	Delmolino et al.	
5,560,999 A		10/1996	Pedicini et al.	
5,650,241 A		7/1997	McGee	
5,663,007 A		9/1997	Ikoma et al.	
5,795,667 A		8/1998	McKenzie et al.	
5,817,435 A		10/1998	Shimakawa et al.	

5,891,589 A		4/1999	Witizgreuter et al.	
5,904,998 A		5/1999	Dopp et al.	
5,916,707 A		6/1999	Omaru et al.	
D413,565 S	*	9/1999	Nakayama	D13/103
6,232,007 B1	*	5/2001	Payne et al.	429/27
6,326,102 B1	*	12/2001	Getz	429/132

FOREIGN PATENT DOCUMENTS

EP	0 940 866 A2	3/1999
EP	0 940 869 A2	6/1999
EP	0 940 870 A2	9/1999
EP	0 940 871 A2	9/1999
EP	0 940 872 A2	9/1999
EP	0 940 873 A2	9/1999

(List continued on next page.)

OTHER PUBLICATIONS

Cretzmeyer et al., "Commercial Zinc-Air Batteries", pp. 269-290.
 Gibbard et al., "Mechanisms of Operation of the Zinc-Air Battery", pp. 232-241.
 Espig et al., "Primary Zinc-Air Batteries", pp. 327-343.
 Bender et al., "Zinc/Air Cells", pp. 10-2-10-24.

Primary Examiner—Joel Sincavage

(74) *Attorney, Agent, or Firm*—Fish & Richardson P.C.

(57) **CLAIM**

The ornamental design for a battery, as shown and described.

DESCRIPTION

FIG. 1 is a perspective view of the battery design of the invention;
 FIG. 2 is a top view of the battery of FIG. 1;
 FIG. 3 is a bottom view of the battery of FIG. 1;
 FIG. 4 is a side view of the battery of FIG. 1;
 FIG. 5 is another side view of the battery of FIG. 1; and,
 FIG. 6 is a cross-sectional view taken along line 6-6 of FIG. 4.

The broken lines showing the louvers in FIGS. 1 and 4-6 are included for the purpose of illustrating portions of the battery that form no part of the claimed design.

1 Claim, 4 Drawing Sheets



US D481,993 S

Page 2

FOREIGN PATENT DOCUMENTS							
				JP	5-47422 A	2/1993	
				JP	08031465 A	2/1996	
EP	0 940 874 A2	9/1999		JP	09289045 *	11/1997 H01M/12/06
EP	0 940 875 A2	9/1999		JP	10012288 A	1/1998	
FR	2146210 *	2/1973 H01M/12/06	JP	10-189064	7/1998	
JP	60-9070 A	1/1985		JP	11-185835	7/1999	
JP	60062069 *	1/1985 H01M/12/06	JP	11195439 *	7/1999 H01M/12/06
JP	5-144482	6/1991					
JP	4-101352	4/1992					
JP	4-174977	6/1992					

* cited by examiner

FIG. 1

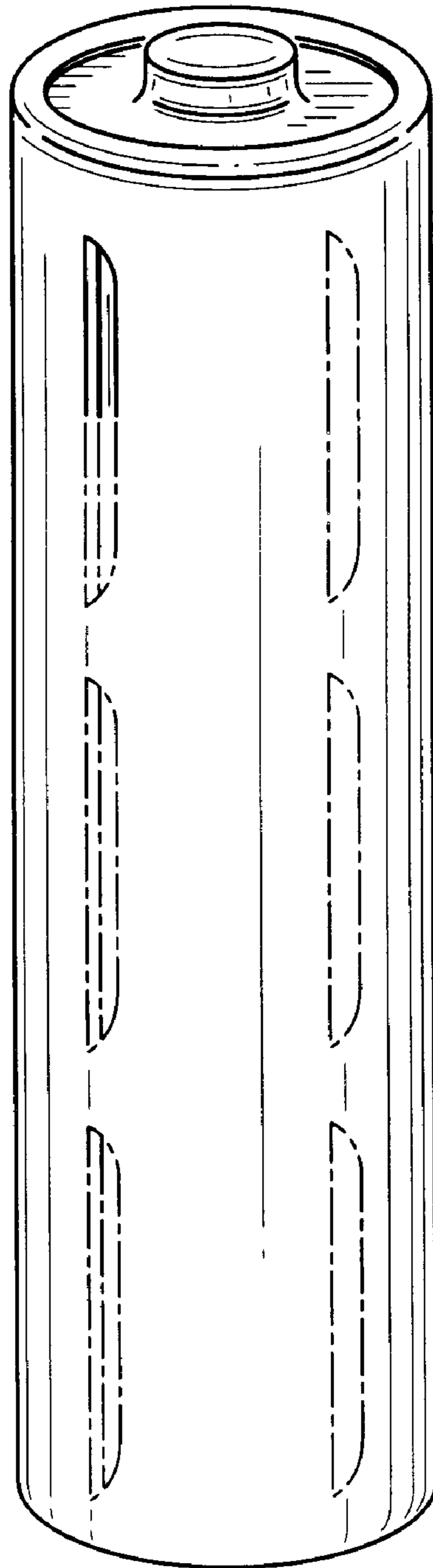


FIG. 2

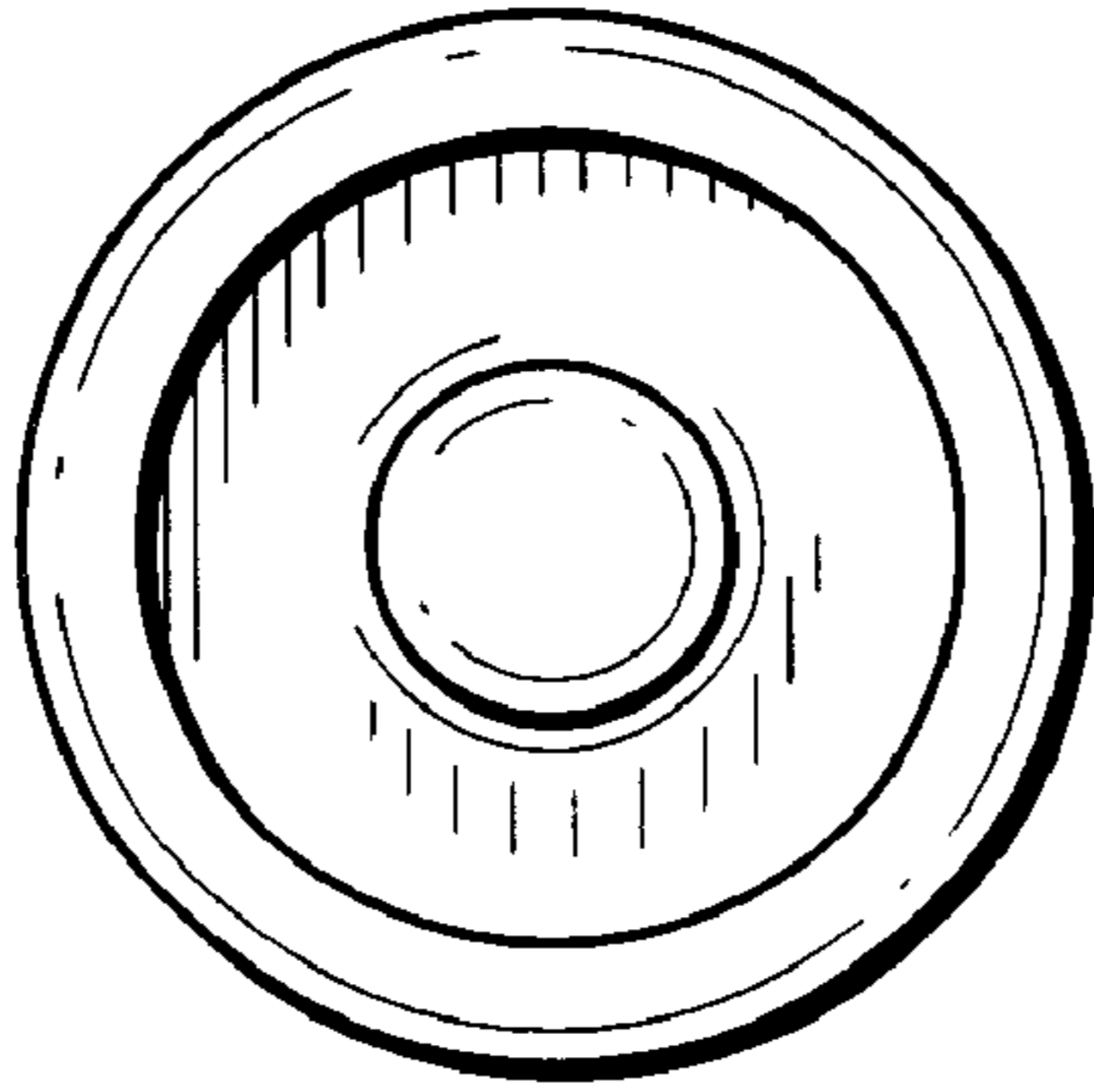


FIG. 3

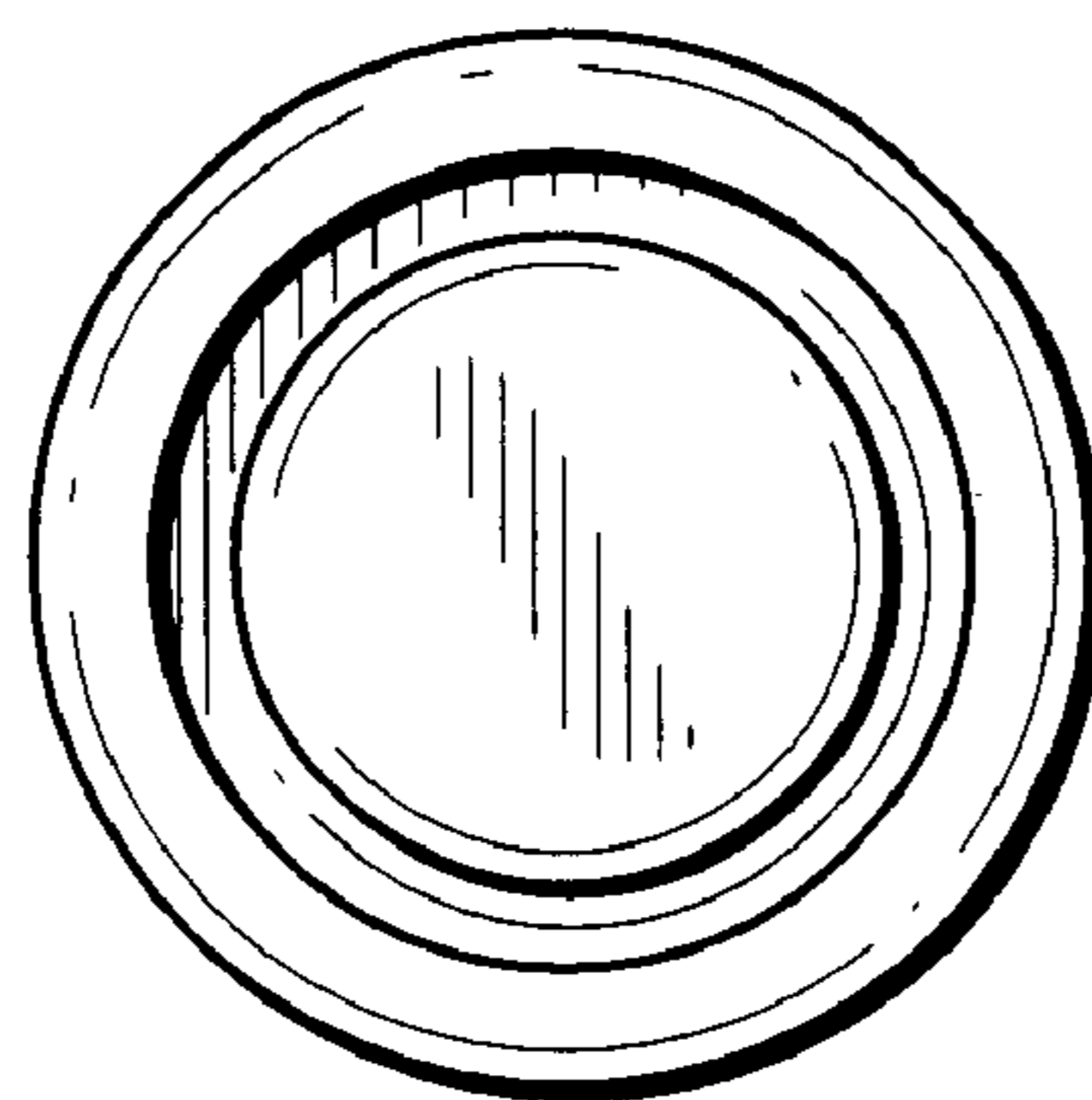


FIG. 4

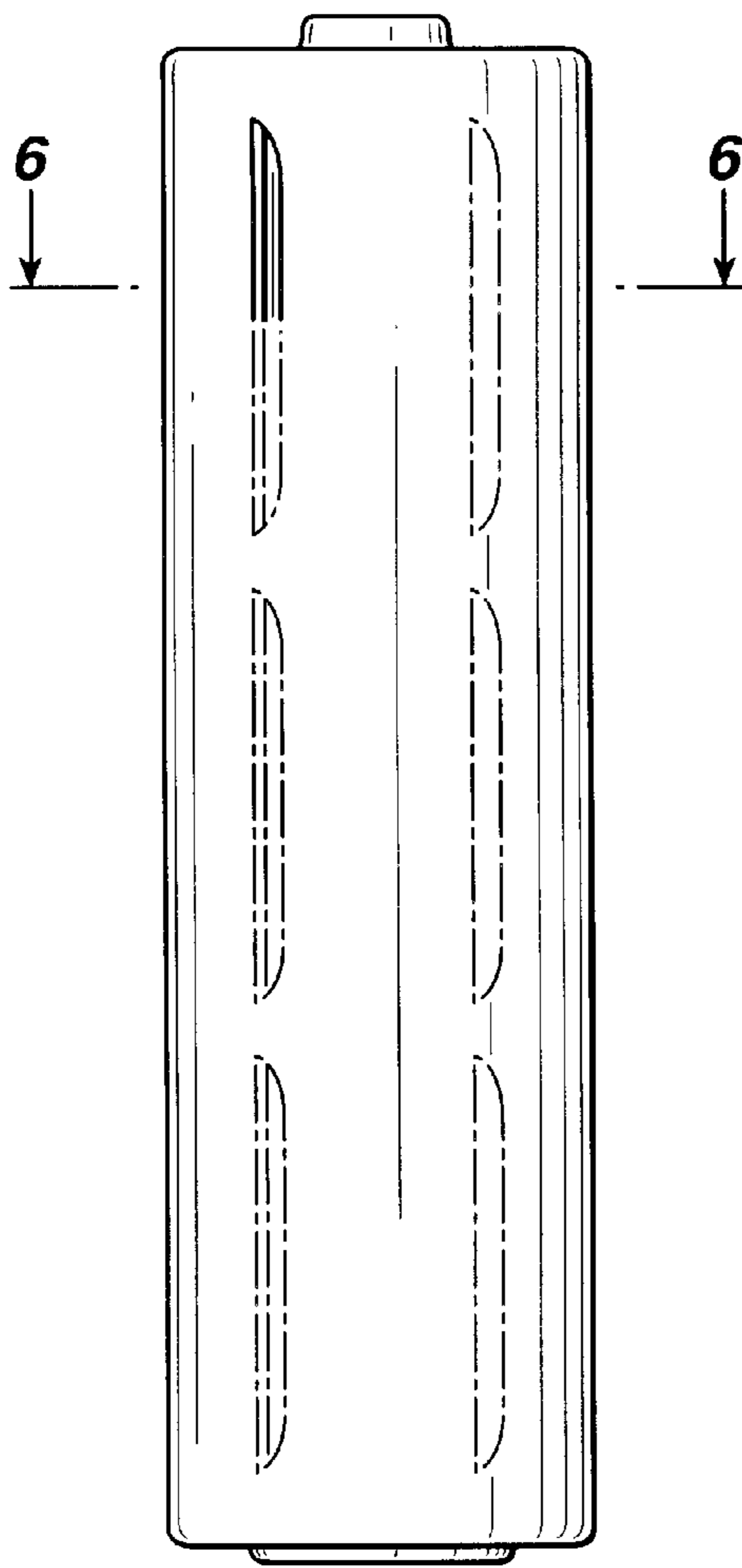


FIG. 5

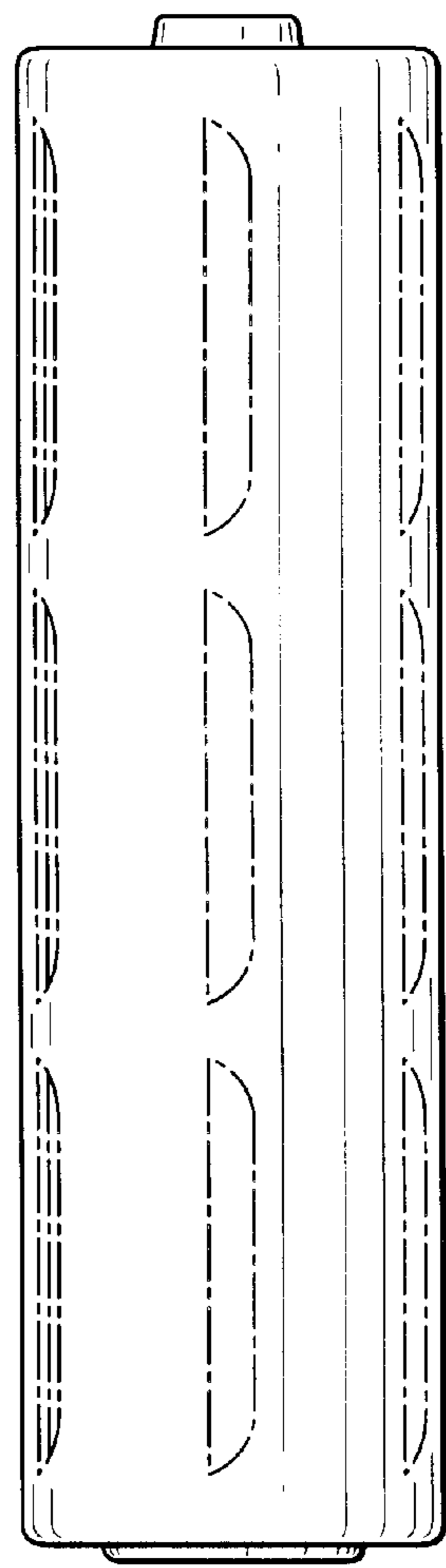


FIG. 6

