



US00D481986S

(12) **United States Design Patent** (10) **Patent No.:** **US D481,986 S**
Menne (45) **Date of Patent:** **** Nov. 11, 2003**

(54) **PRIVACY ENCLOSURE**
(75) Inventor: **Thomas J. Menne**, Center City, MN (US)
(73) Assignee: **Premier Marine, Inc.**, Wyoming, MN (US)
(**) Term: **14 Years**
(21) Appl. No.: **29/171,922**
(22) Filed: **Dec. 3, 2002**
(51) **LOC (7) Cl.** **12-06**
(52) **U.S. Cl.** **D12/317**
(58) **Field of Search** D12/317; 114/363, 114/343; D6/356

6,283,059 B1 9/2001 Scully, Jr.
6,302,053 B1 10/2001 Tomczak et al.
6,327,719 B1 12/2001 Lobertmann et al.
6,357,379 B1 3/2002 Murphy, Jr.
6,374,432 B1 4/2002 Morris

FOREIGN PATENT DOCUMENTS

GB 349769 6/1931
GB 2052960 2/1981
WO WO 93/04913 3/1993

* cited by examiner

Primary Examiner—Holly Baynham
(74) *Attorney, Agent, or Firm*—Hugh D. Jaeger

(57) **CLAIM**

The ornamental design for a privacy enclosure, as shown and described.

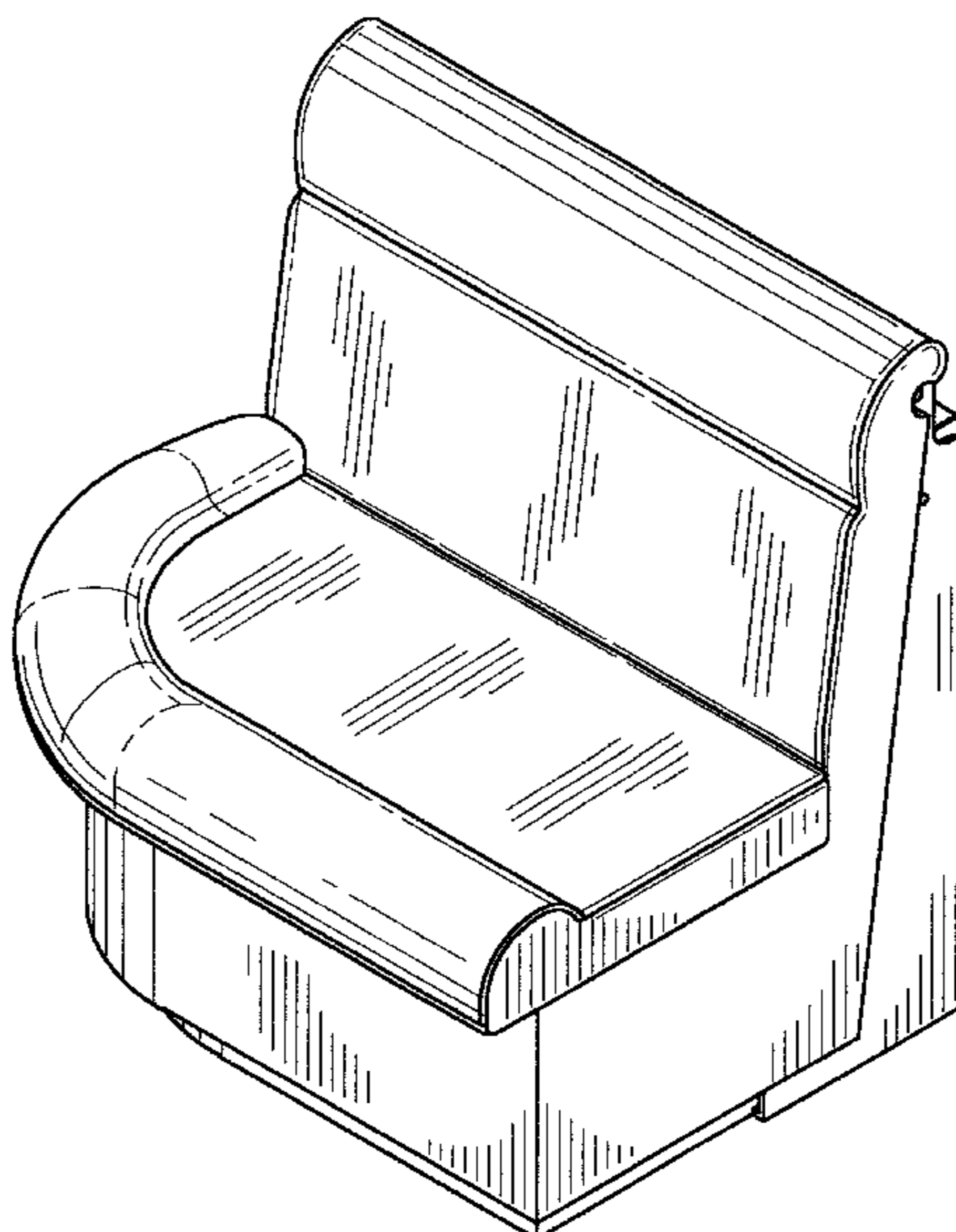
(56) **References Cited**
U.S. PATENT DOCUMENTS

689,164 A 12/1901 Castle
1,145,568 A 7/1915 Dardano
3,594,039 A * 7/1971 Harp 297/252
4,536,902 A 8/1985 McGill
4,710,989 A 12/1987 Grenthe
4,854,261 A 8/1989 Goldsmith
4,883,016 A 11/1989 Larson
4,974,265 A 12/1990 Maggio
4,979,242 A 12/1990 Maggio
5,029,348 A 7/1991 Boren
5,226,689 A 7/1993 Roe et al.
5,331,917 A 7/1994 Magers
5,379,466 A 1/1995 Davies
5,511,853 A * 4/1996 Wallis 297/364
5,544,369 A 8/1996 Roberts
5,671,487 A 9/1997 Chen
5,682,622 A 11/1997 Tagg
5,799,605 A * 9/1998 Huse 114/363
5,862,540 A 1/1999 Chuan
5,974,597 A 11/1999 Conwell
6,263,825 B1 7/2001 Davidson

DESCRIPTION

FIG. 1 illustrates a front view thereof;
FIG. 2 illustrates a back view thereof;
FIG. 3 illustrates a left side view thereof;
FIG. 4 illustrates a right side view thereof;
FIG. 5 illustrates a top view thereof;
FIG. 6 illustrates a bottom view thereof;
FIG. 7 illustrates a isometric view thereof;
FIG. 8 illustrates a front view thereof in a raised position;
FIG. 9 illustrates a back view thereof;
FIG. 10 illustrates a left side view thereof;
FIG. 11 illustrates a right side view thereof;
FIG. 12 illustrates a top view thereof;
FIG. 13 illustrates a bottom view thereof;
FIG. 14 illustrates a isometric view thereof; and,
FIG. 15 illustrates a isometric view thereof.
The broken line showing of structure is for illustrative purposes only and forms no part of the claimed design.

1 Claim, 15 Drawing Sheets



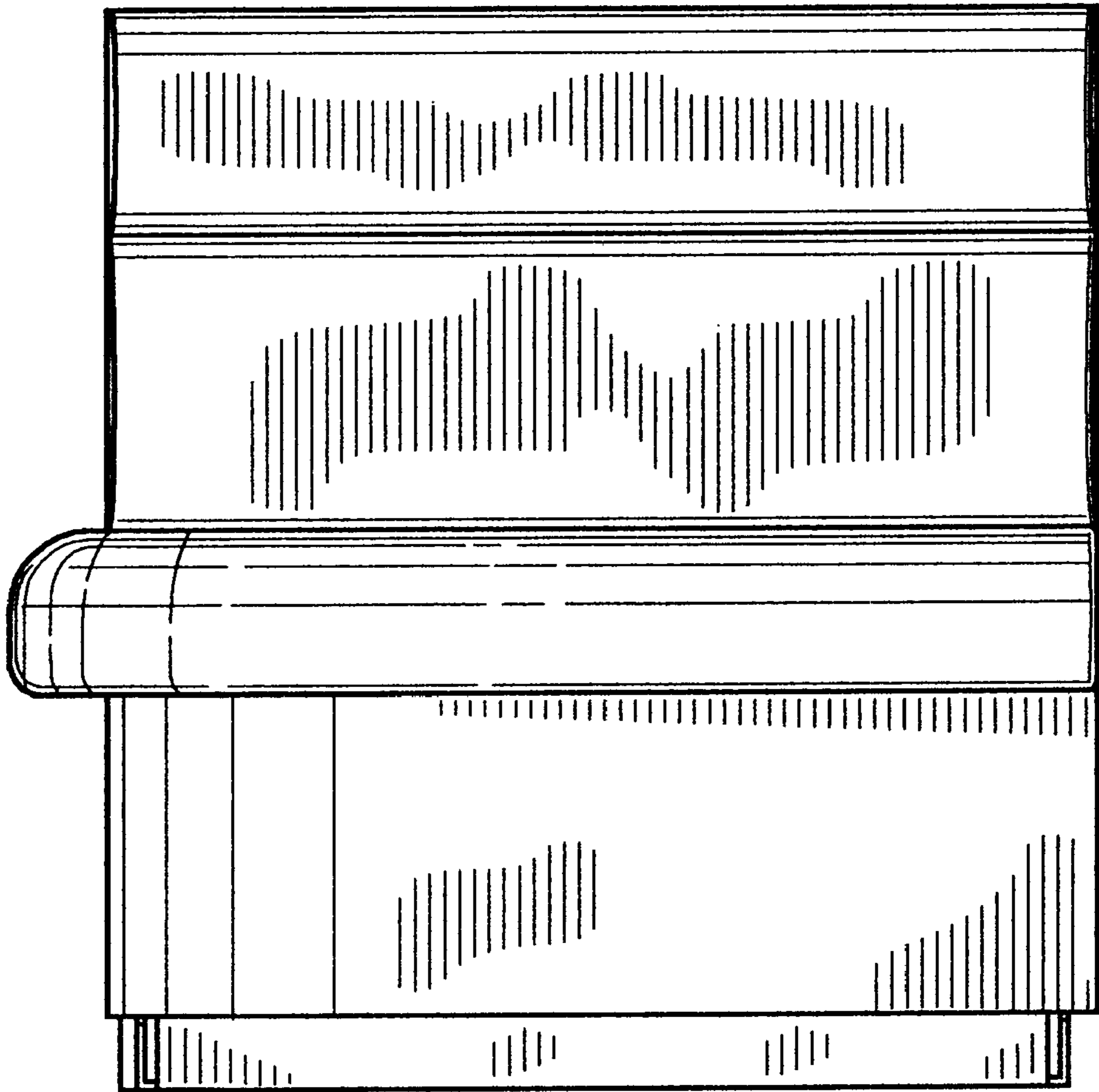


FIG. 1

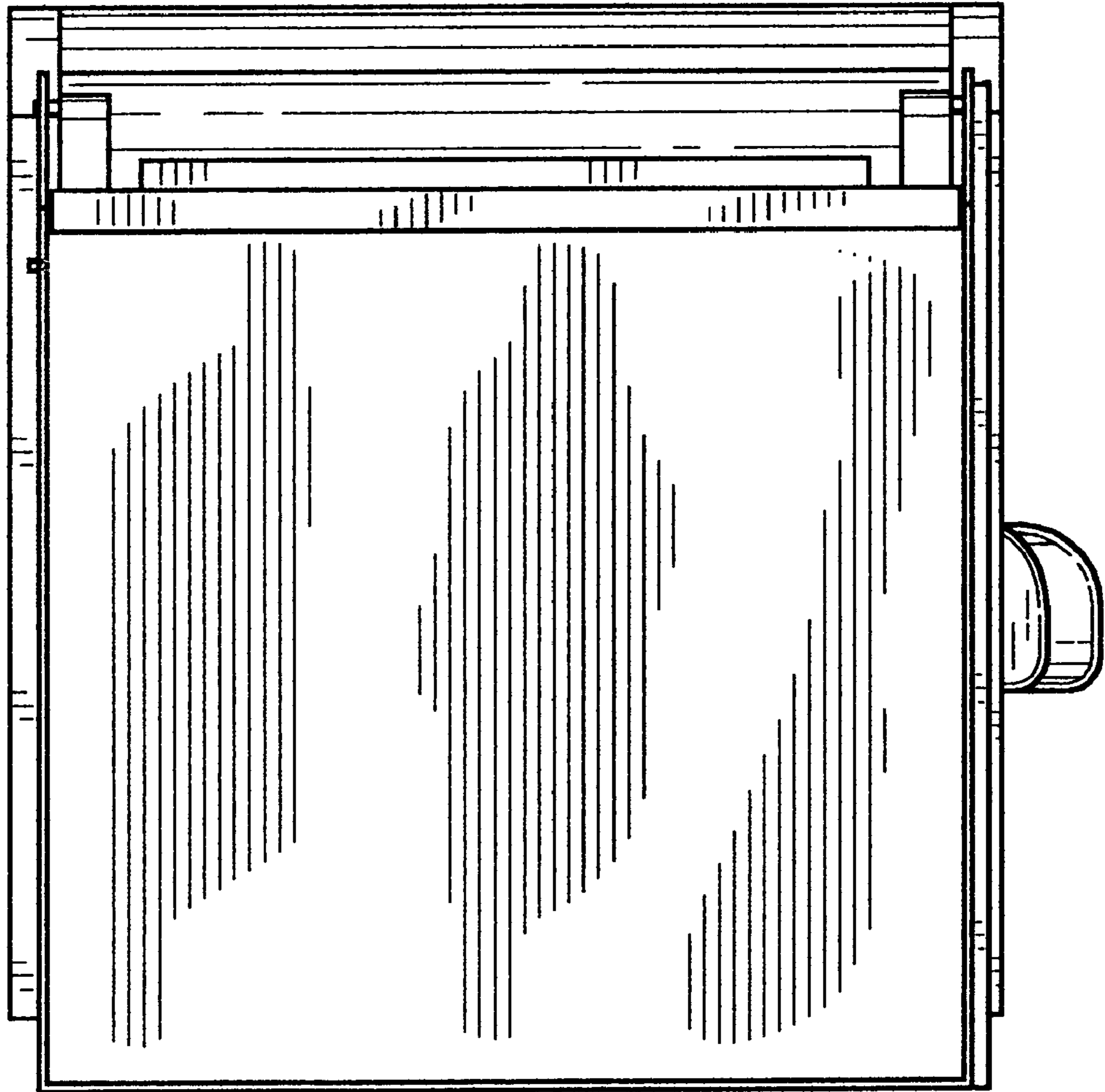


FIG. 2

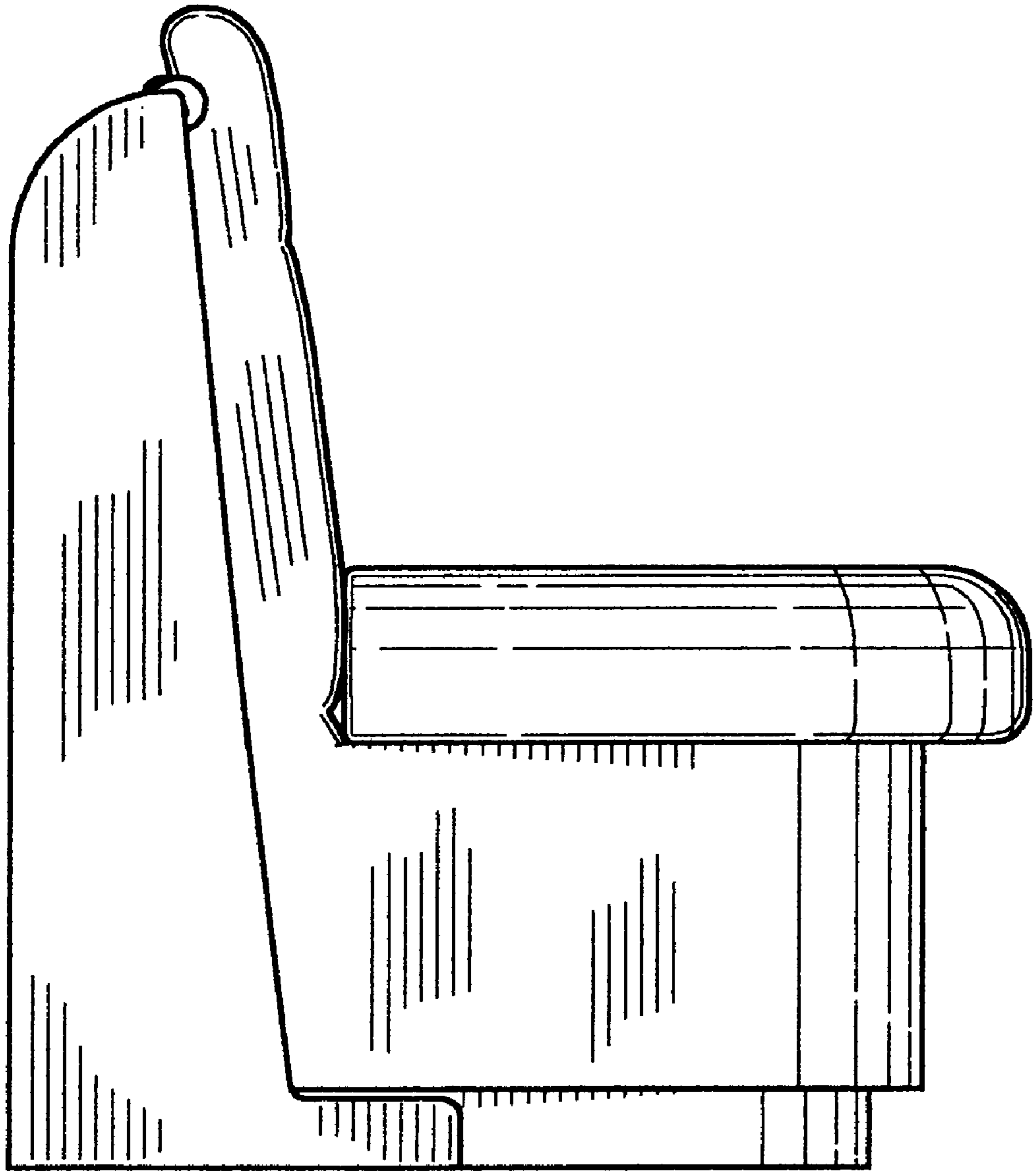


FIG. 3

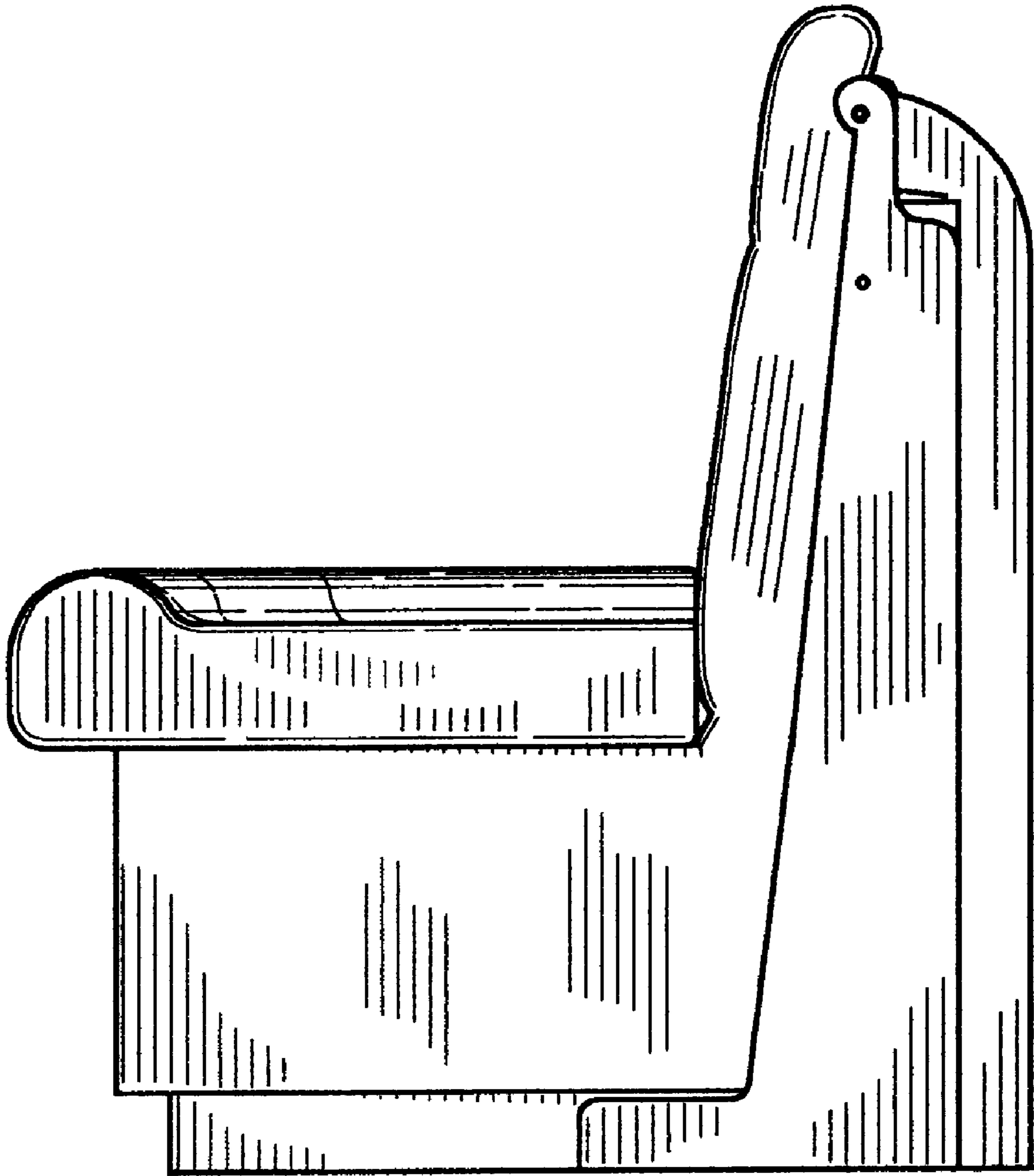


FIG. 4

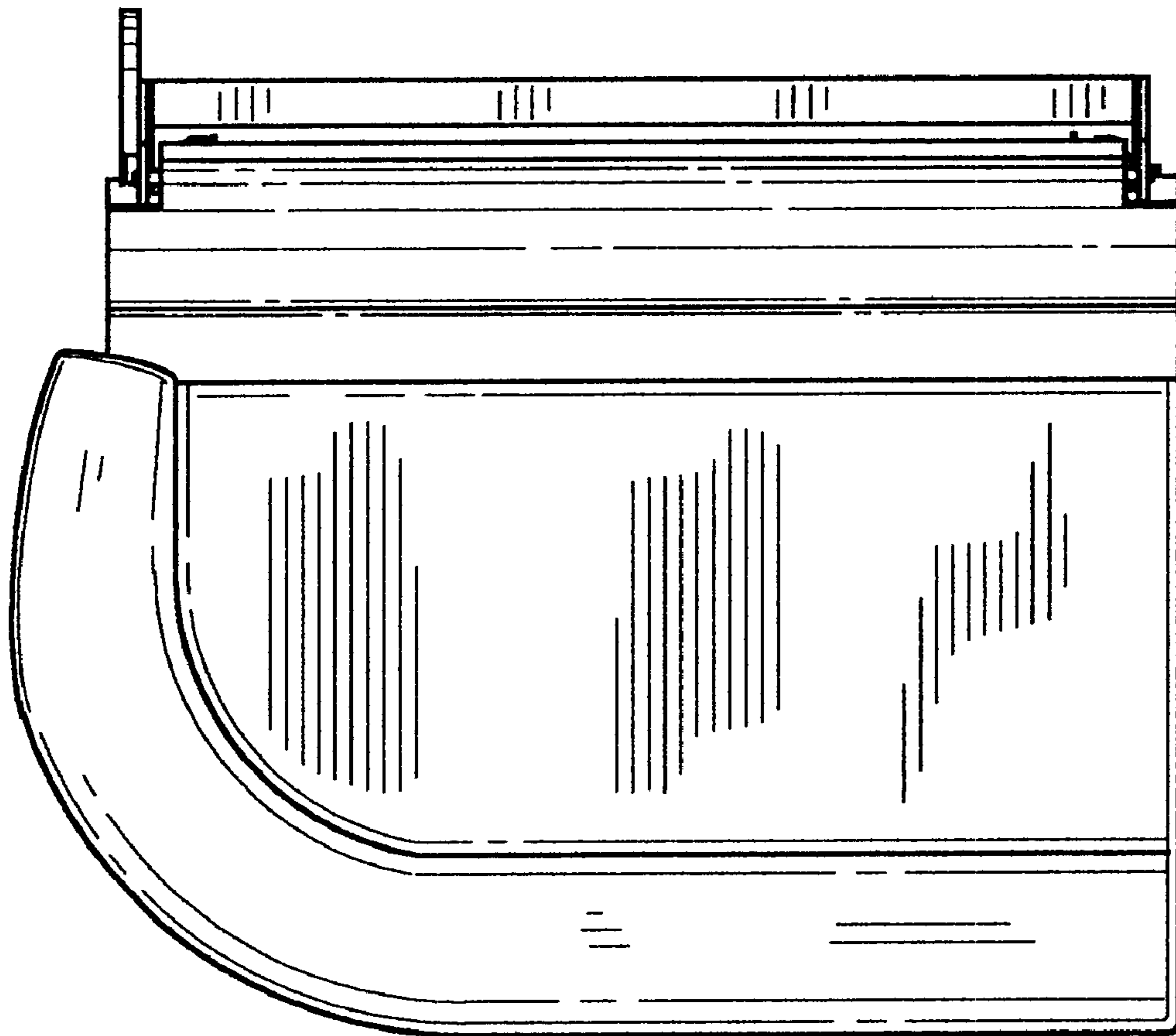


FIG. 5

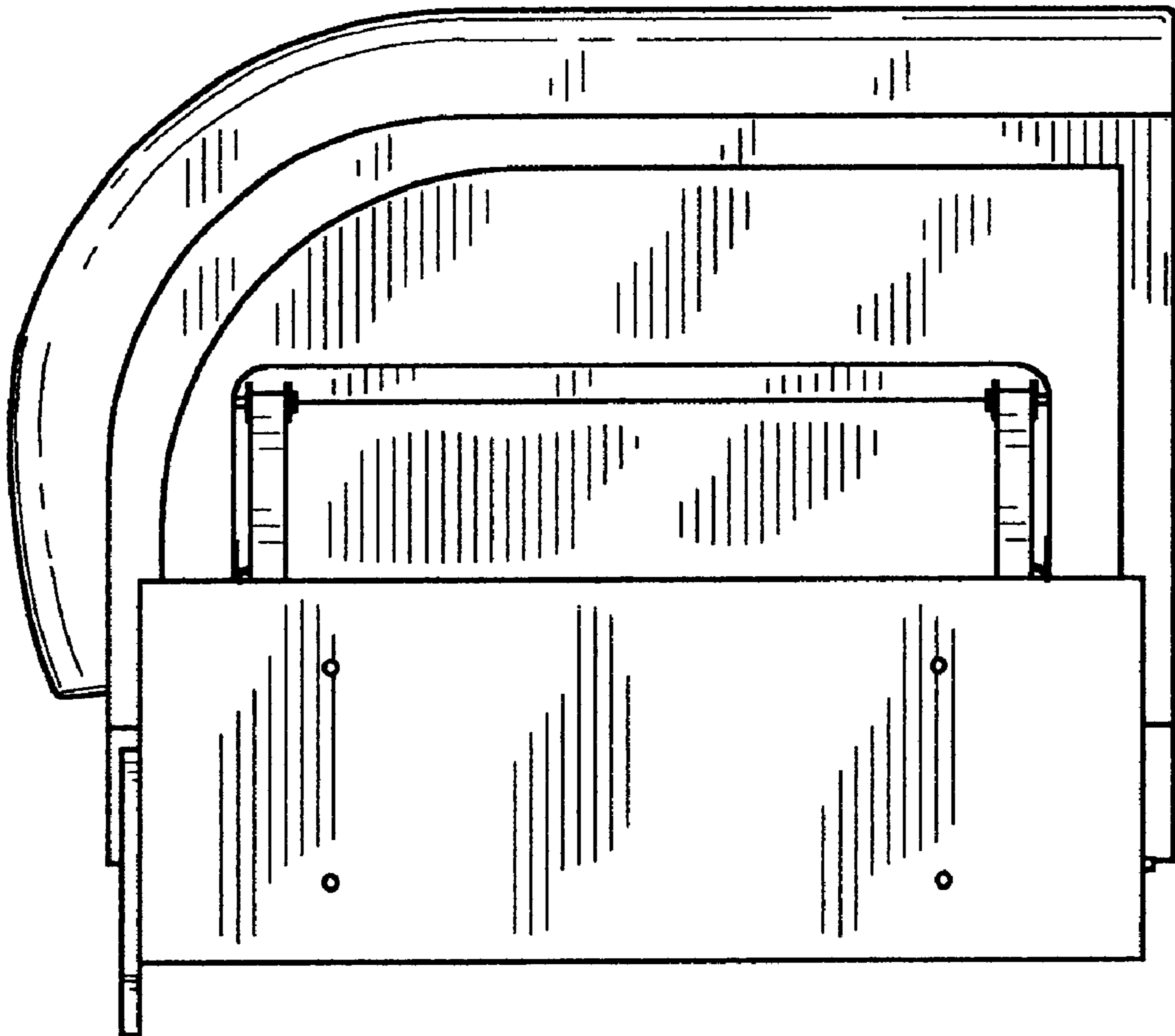


FIG. 6

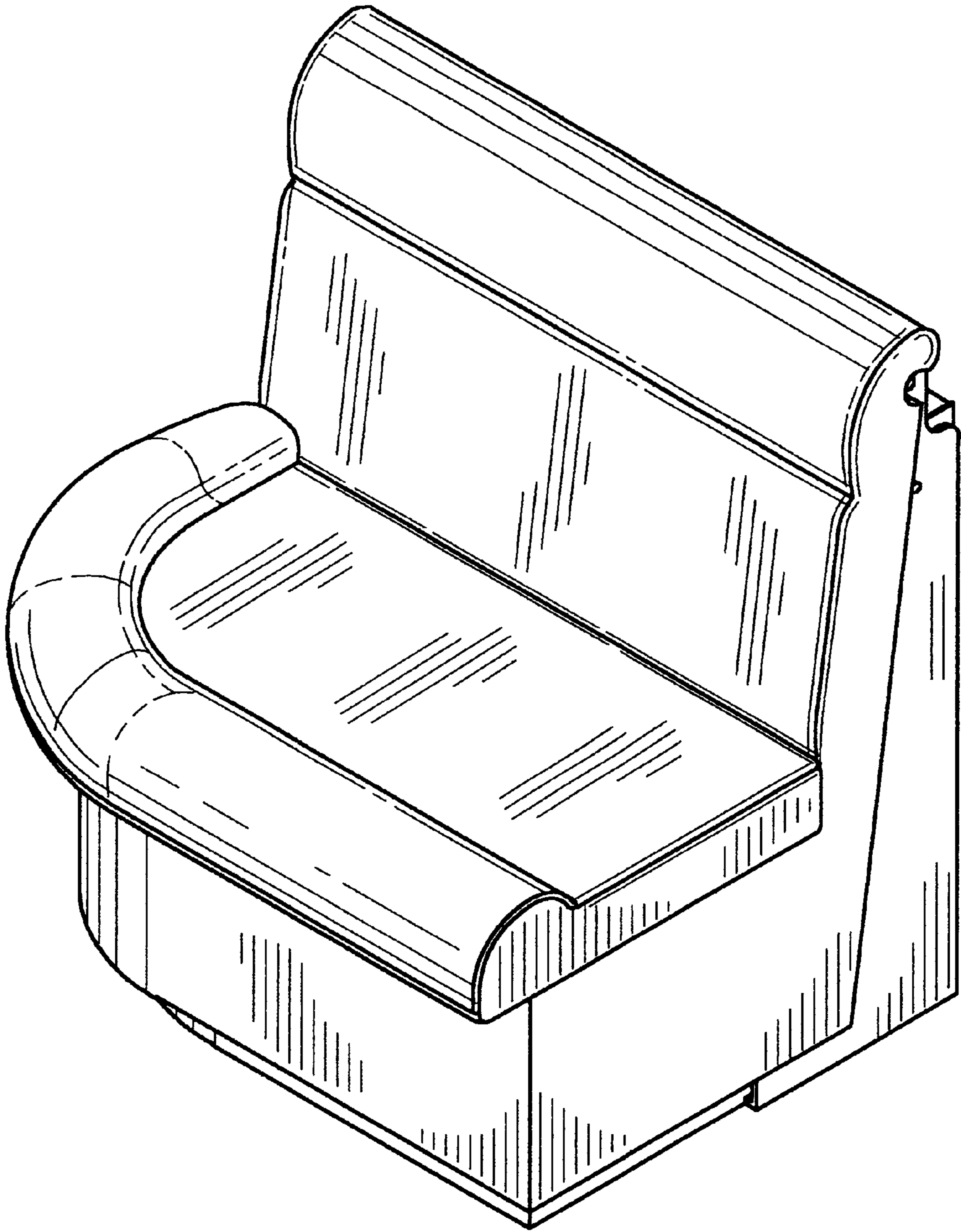


FIG. 7

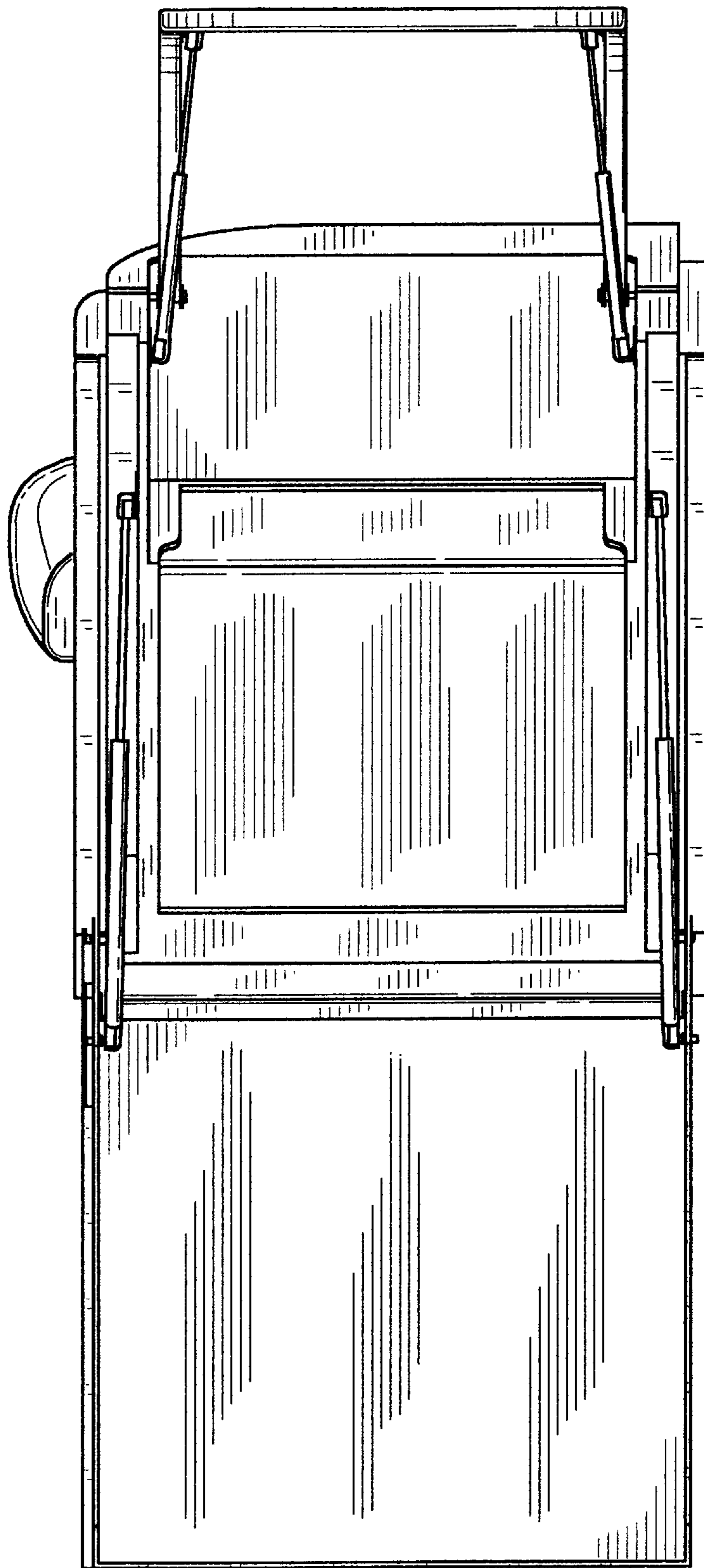


FIG. 8

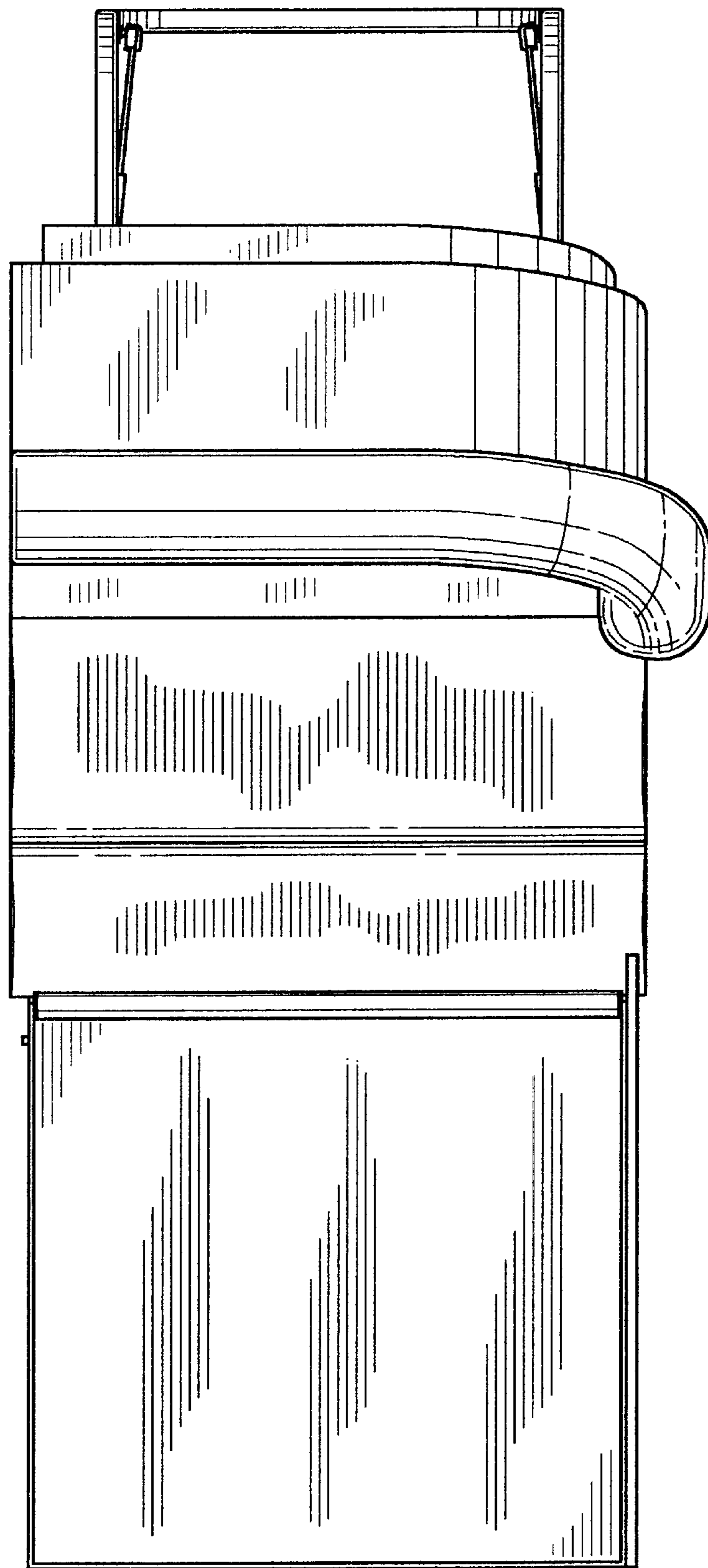


FIG. 9

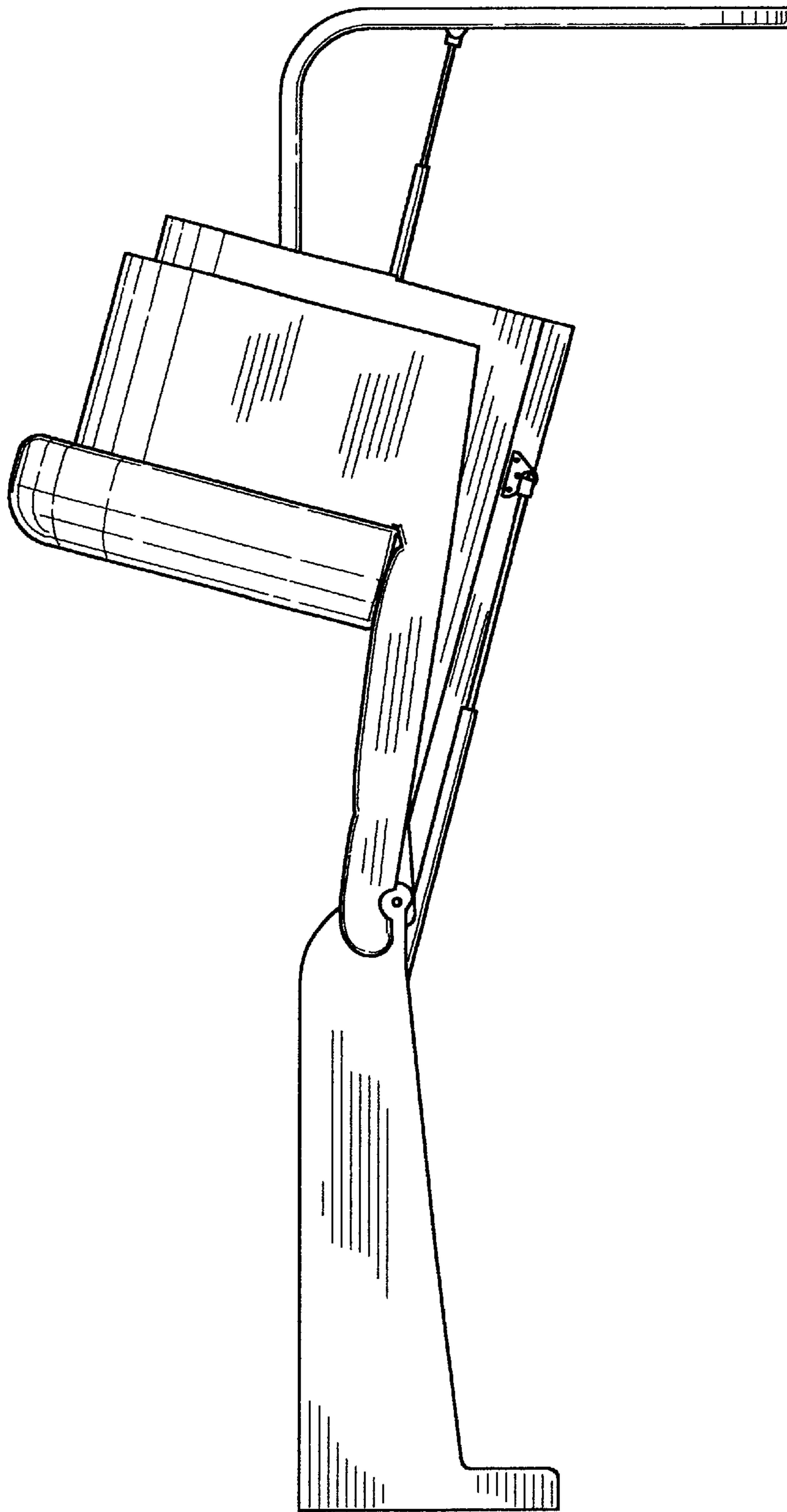


FIG. 10

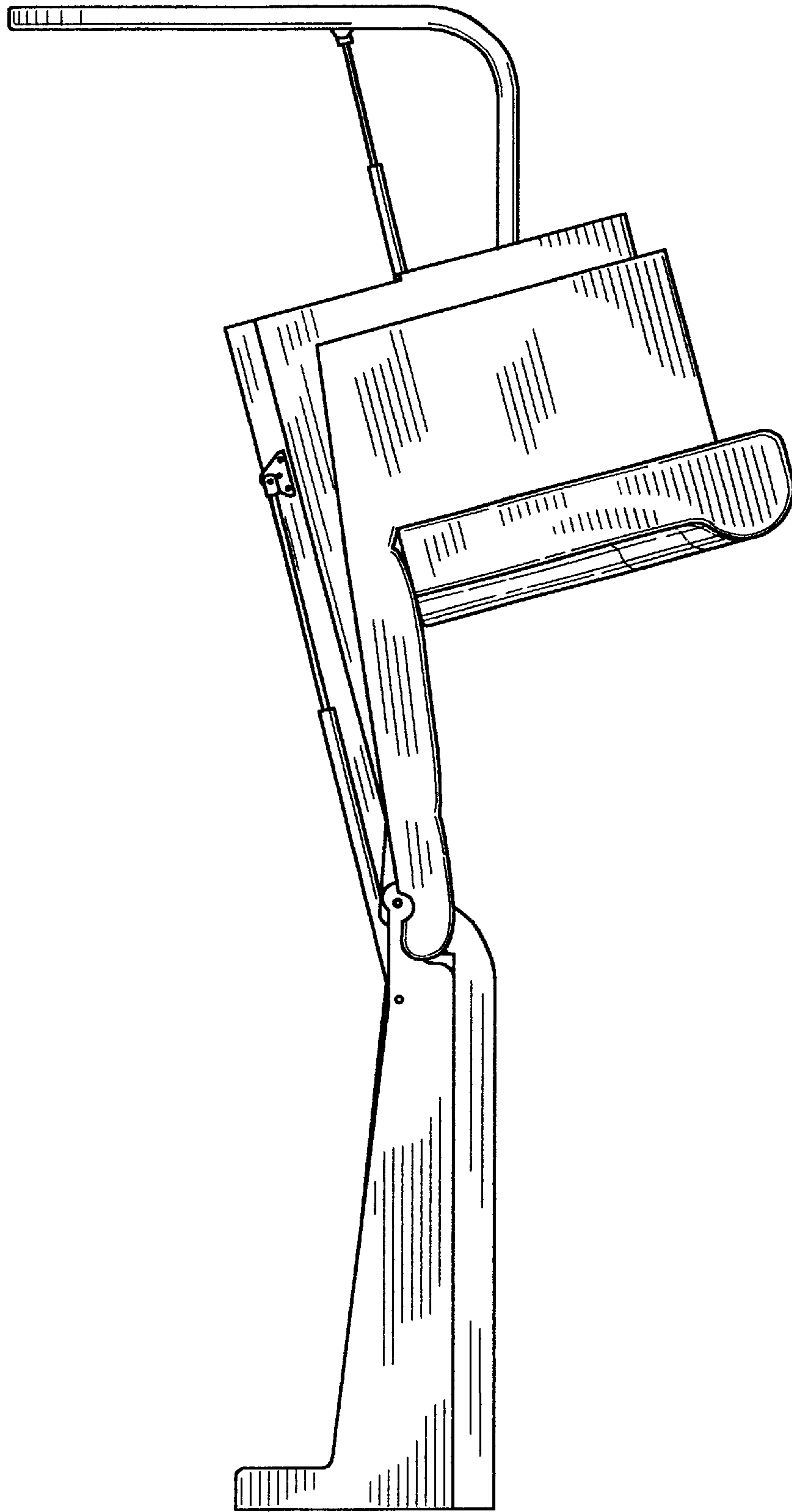


FIG. 11

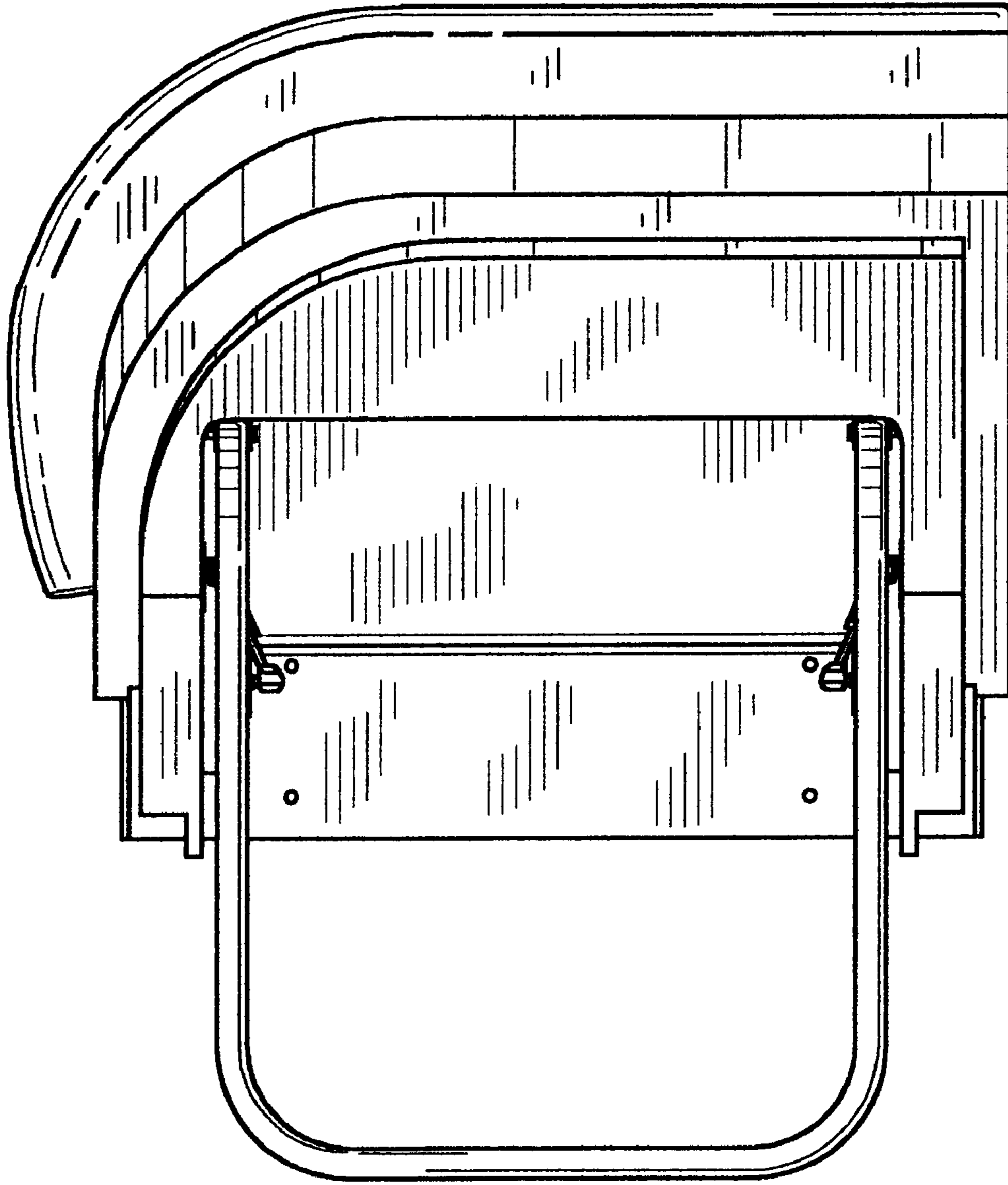


FIG. 12

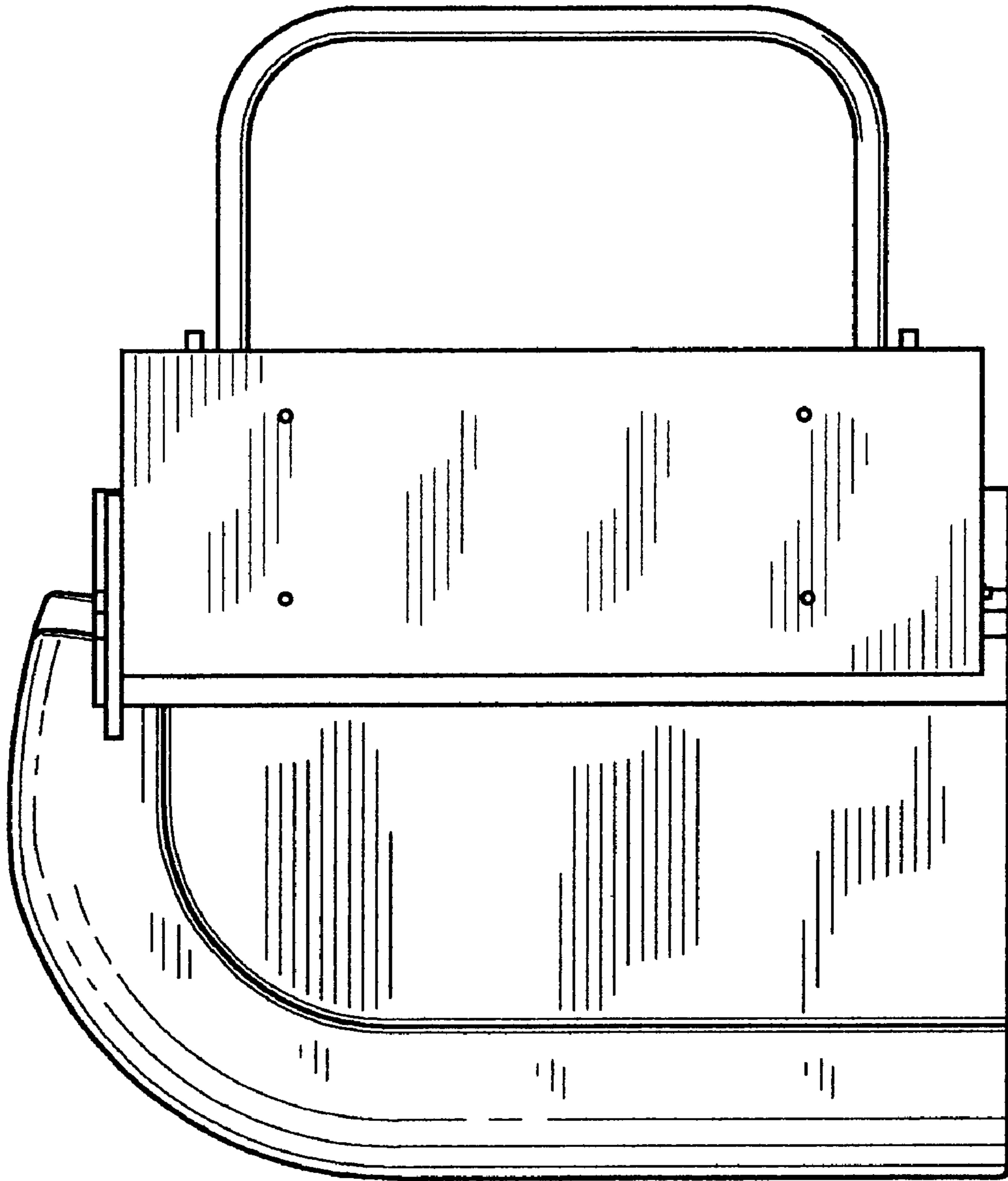


FIG. 13

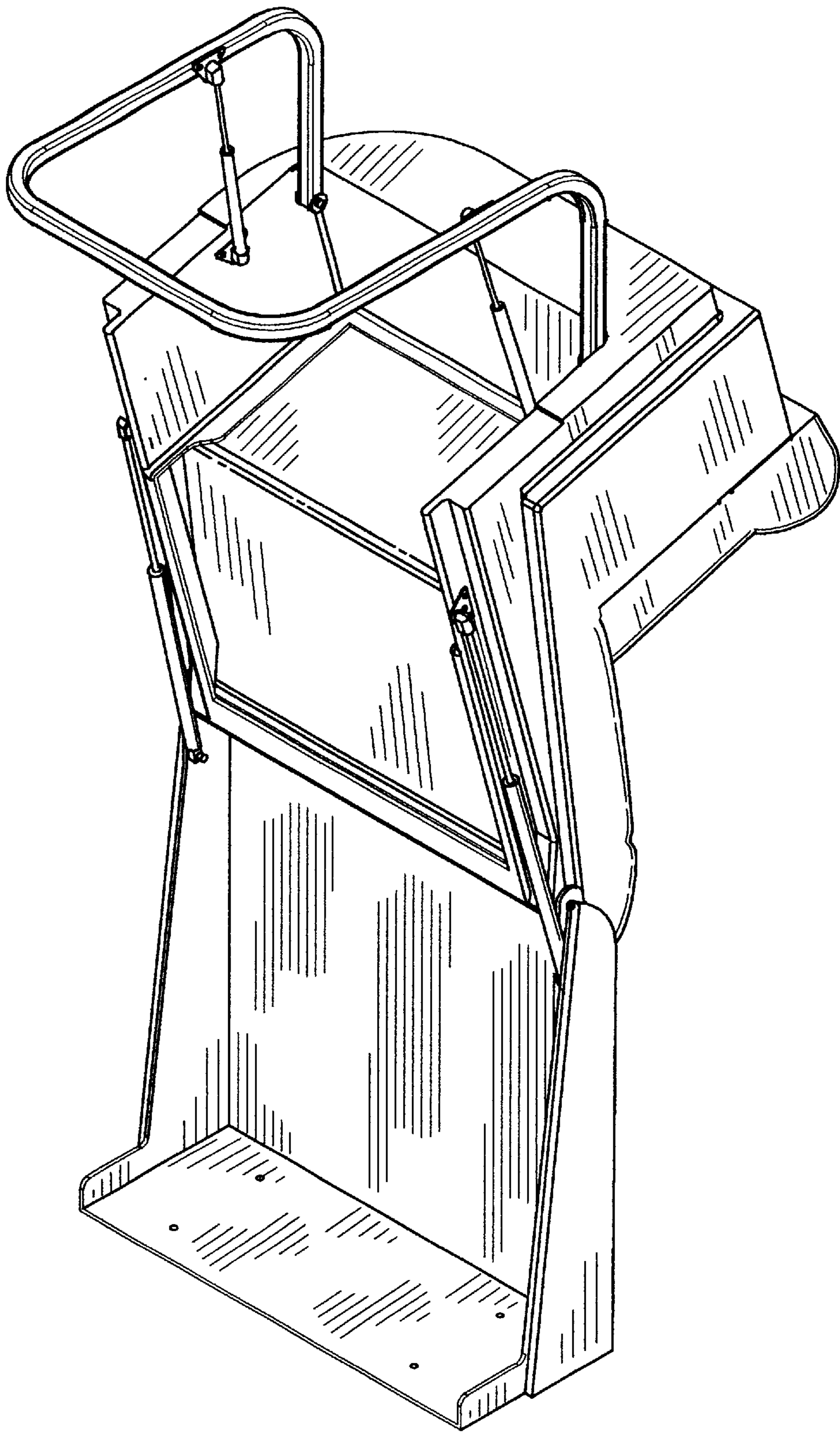


FIG. 14

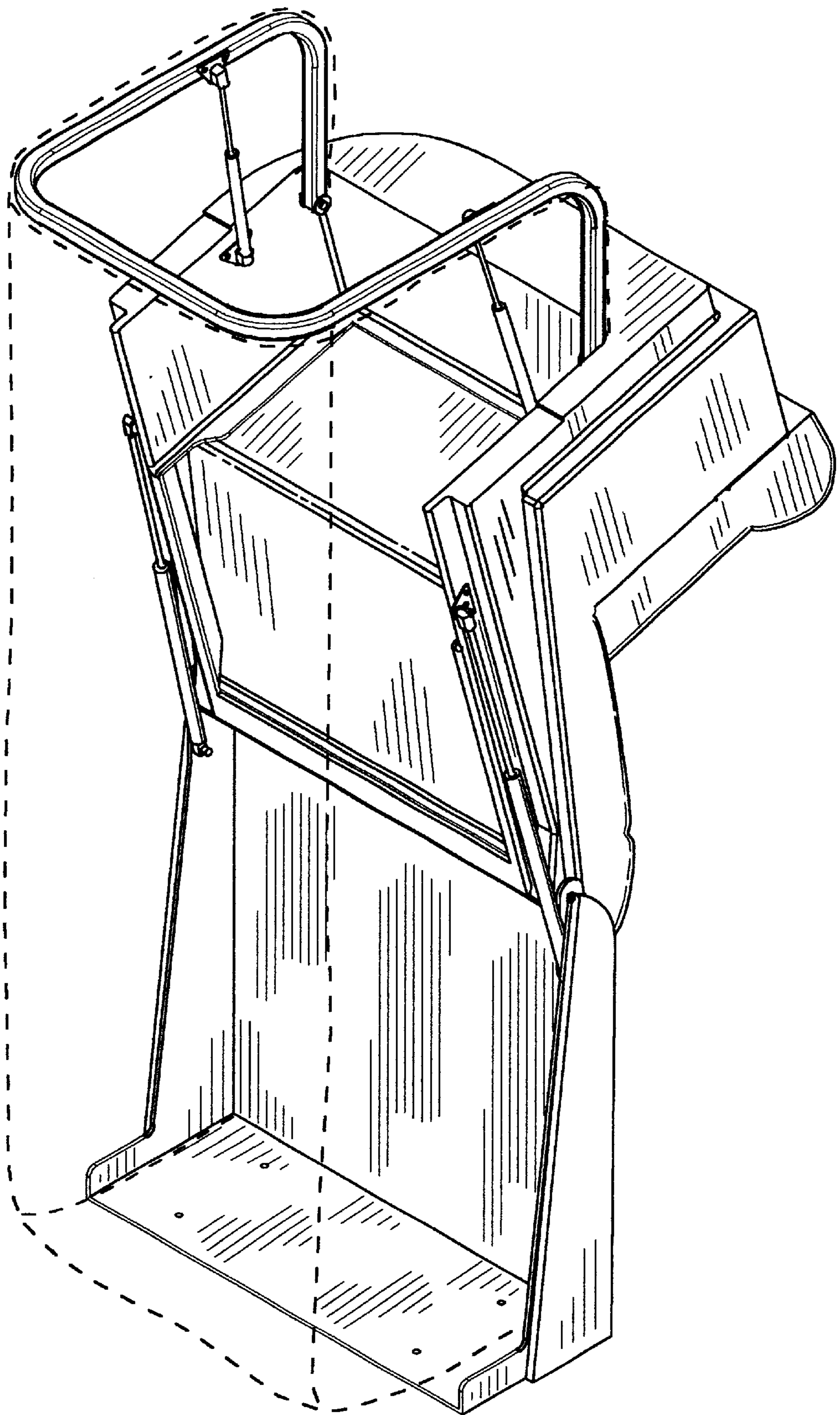


FIG. 15