



US00D481984S

(12) **United States Design Patent**  
**Sulahian**

(10) **Patent No.:** **US D481,984 S**

(45) **Date of Patent:** **\*\* Nov. 11, 2003**

(54) **FRONT FACE OF A VEHICLE WHEEL**

(76) Inventor: **Diko Sulahian**, 16490 Monte Cristo Dr., Hacienda Heights, CA (US) 91745

(\*\*) Term: **14 Years**

(21) Appl. No.: **29/170,192**

(22) Filed: **Nov. 4, 2002**

(51) **LOC (7) Cl.** ..... **12-16**

(52) **U.S. Cl.** ..... **D12/211**

(58) **Field of Search** ..... D12/204-211;  
301/37.101, 64.101, 65

(56) **References Cited**

**U.S. PATENT DOCUMENTS**

|            |   |         |                    |       |         |
|------------|---|---------|--------------------|-------|---------|
| D214,620 S | * | 7/1969  | Barris             | ..... | D12/211 |
| D243,169 S | * | 1/1977  | Suzuki et al.      | ..... | D12/205 |
| D396,208 S | * | 7/1998  | Baumgartner et al. | ..... | D12/211 |
| D416,534 S | * | 11/1999 | Couzyn et al.      | ..... | D12/211 |
| D418,473 S | * | 1/2000  | Chung              | ..... | D12/211 |
| D424,500 S | * | 5/2000  | Johnson            | ..... | D12/209 |
| D433,987 S | * | 11/2000 | Couzyn et al.      | ..... | D12/211 |
| D446,180 S | * | 8/2001  | Sulahian et al.    | ..... | D12/211 |
| D448,712 S | * | 10/2001 | Laengerer          | ..... | D12/209 |

|            |   |         |                 |       |         |
|------------|---|---------|-----------------|-------|---------|
| D449,267 S | * | 10/2001 | Fitzgerald      | ..... | D12/211 |
| D450,030 S | * | 11/2001 | Pfeiffer        | ..... | D12/211 |
| D456,757 S | * | 5/2002  | Schroeder       | ..... | D12/211 |
| D458,889 S | * | 6/2002  | Fitzgerald      | ..... | D12/211 |
| D466,466 S | * | 12/2002 | Laengerer       | ..... | D12/211 |
| D470,449 S | * | 2/2003  | Bernoni         | ..... | D12/211 |
| D471,503 S | * | 3/2003  | Baumgartner     | ..... | D12/211 |
| D471,852 S | * | 3/2003  | Pfeiffer et al. | ..... | D12/211 |

\* cited by examiner

*Primary Examiner*—Stacia Cadmus

(74) *Attorney, Agent, or Firm*—Liniak, Berenato & White

(57) **CLAIM**

The ornamental design for a front face of a vehicle wheel, as shown and described.

**DESCRIPTION**

FIG. 1 is a front view of a front face of a vehicle wheel showing our new design; and,

FIG. 2 is a front and left side perspective view of the wheel shown in FIG. 1.

The broken line showing of environment is for illustrative purposes only and forms no part of the claimed design.

**1 Claim, 2 Drawing Sheets**

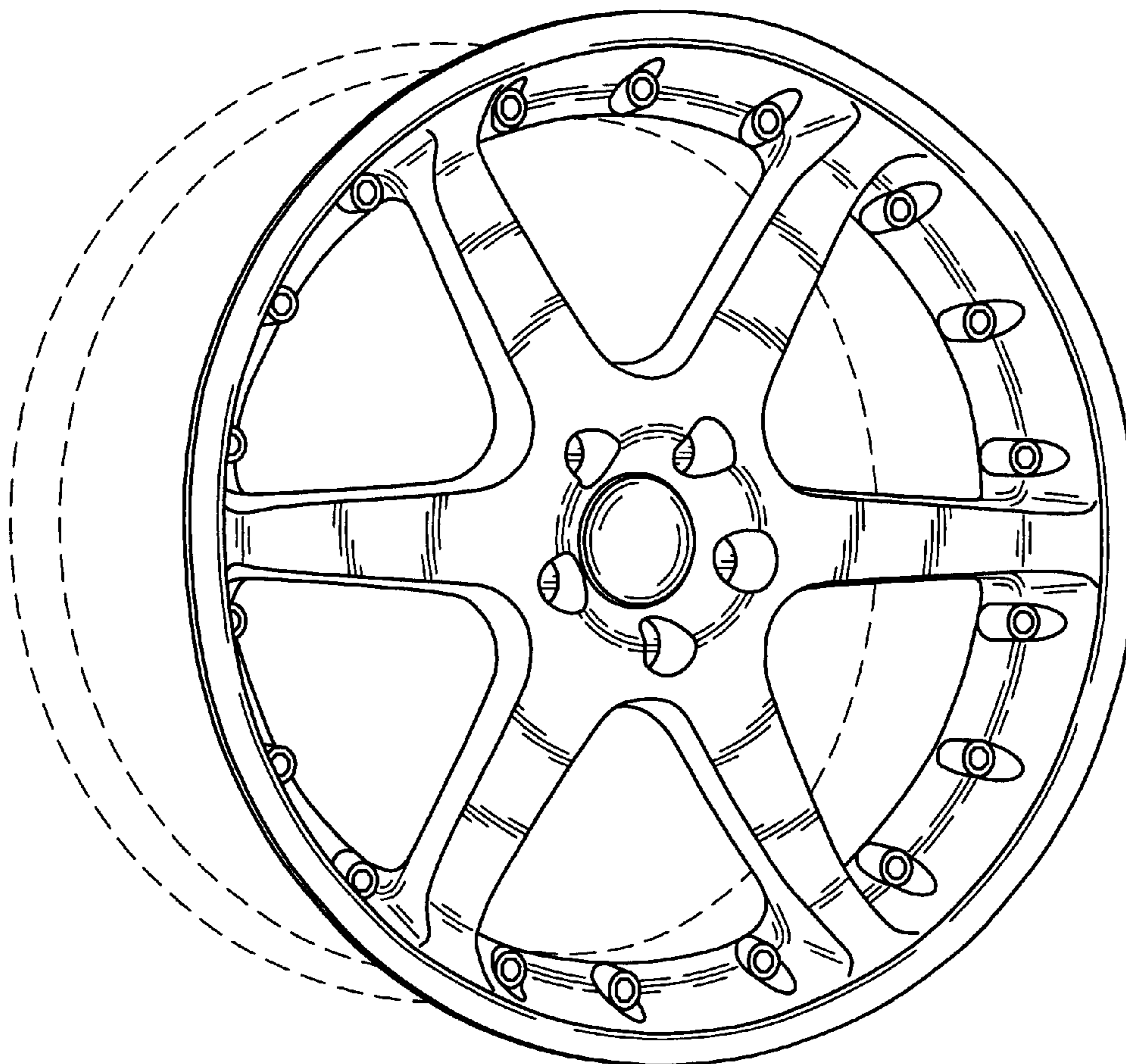


Fig. 1

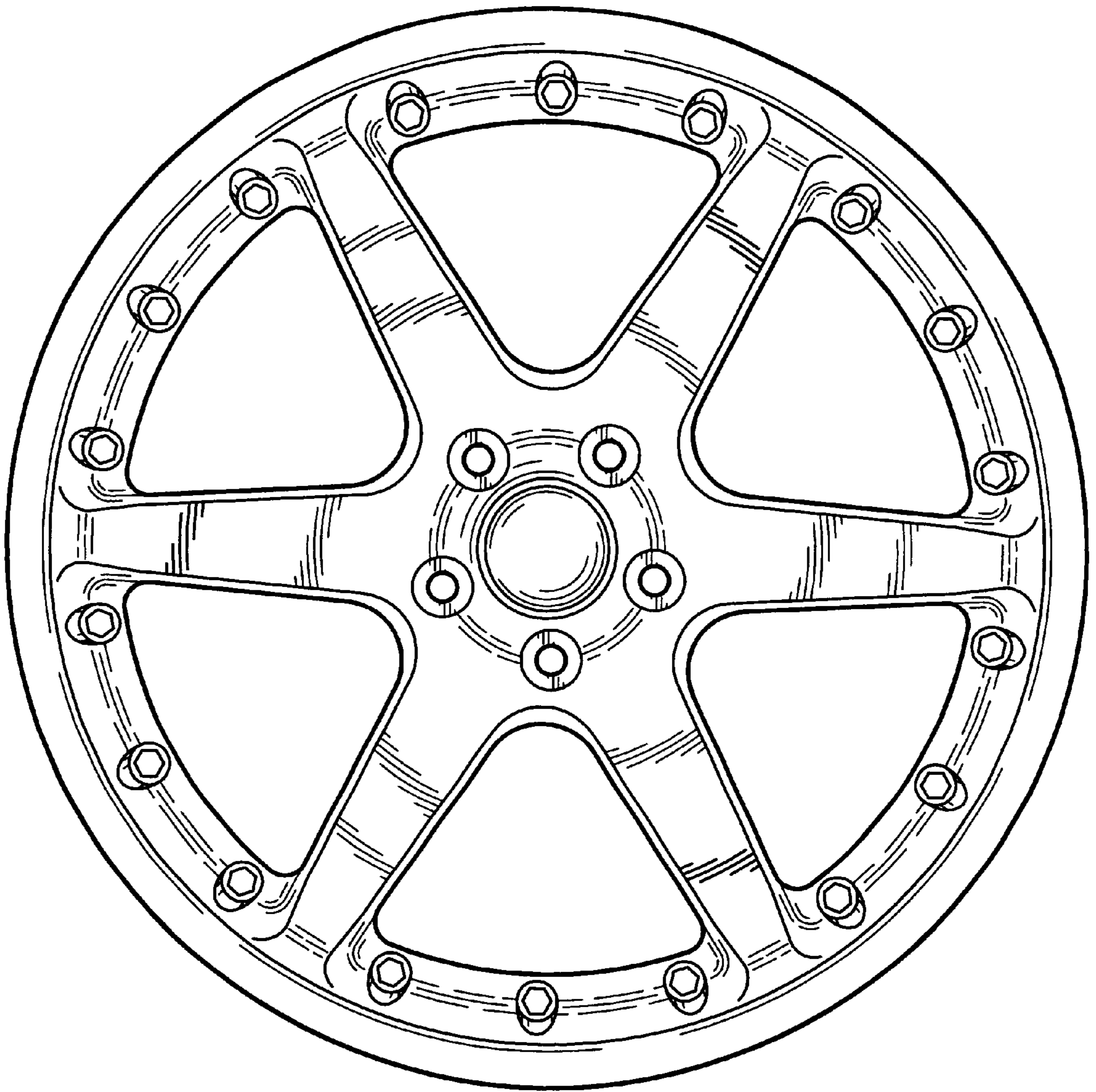


Fig. 2

