



US00D481979S

(12) **United States Design Patent**
Kosmatka et al.

(10) **Patent No.:** **US D481,979 S**
(45) **Date of Patent:** **** Nov. 11, 2003**

(54) **JOYSTICK CONTROL ARM FOR A SEAT**

(75) Inventors: **Gary J. Kosmatka**, Colgate, WI (US);
Michael L. Saari, Reedsburg, WI (US)

(73) Assignee: **Seats Incorporated**, Reedsburg, WI (US)

(**) Term: **14 Years**

(21) Appl. No.: **29/169,255**

(22) Filed: **Oct. 15, 2002**

(51) **LOC (7) Cl.** **12-16**

(52) **U.S. Cl.** **D12/179**

(58) **Field of Search** D12/179, 174;
D34/35, 28; D14/412; D21/324, 328; 74/489,
512, 513, 473.14, 473.16

(56) **References Cited**

U.S. PATENT DOCUMENTS

D374,535 S	*	10/1996	Feider et al.	D34/35
D419,570 S	*	1/2000	Blondeel et al.	D15/29
6,347,560 B1	*	2/2002	Maezawa et al.	74/473.16
D454,818 S	*	3/2002	MacGregor	D12/179
D471,139 S	*	3/2003	Wyszogrod et al.	D12/179

OTHER PUBLICATIONS

Promotional Material Published by USSC Group, Inc., published prior to Oct. 15, 2001.

* cited by examiner

Primary Examiner—Melody N. Brown

(74) *Attorney, Agent, or Firm*—Michael Best & Friedrich LPP

(57) **CLAIM**

I claim the ornamental design for joystick control arm for a seat, as shown and described.

DESCRIPTION

FIG. 1 is a top perspective view of a joystick control arm for a seat embodying the invention.

FIG. 2 is a left side view of the joystick control arm for a seat shown in FIG. 1.

FIG. 3 is a right side view of the joystick control arm for a seat shown in FIG. 1.

FIG. 4 is a front view of the joystick control arm for a seat shown in FIG. 1.

FIG. 5 is a rear view of the joystick control arm for a seat shown in FIG. 1.

FIG. 6 is a top view of the joystick control arm for a seat shown in FIG. 1.

FIG. 7 is a bottom view of the joystick control arm for a seat shown in FIG. 1.

FIG. 8 is a left side view similar to FIG. 2 without the broken line showing of the environment.

FIG. 9 is a right side view similar to FIG. 3 without the broken lines showing of the environment.

FIG. 10 is a front view similar to FIG. 4 without the broken line showing of the environment.

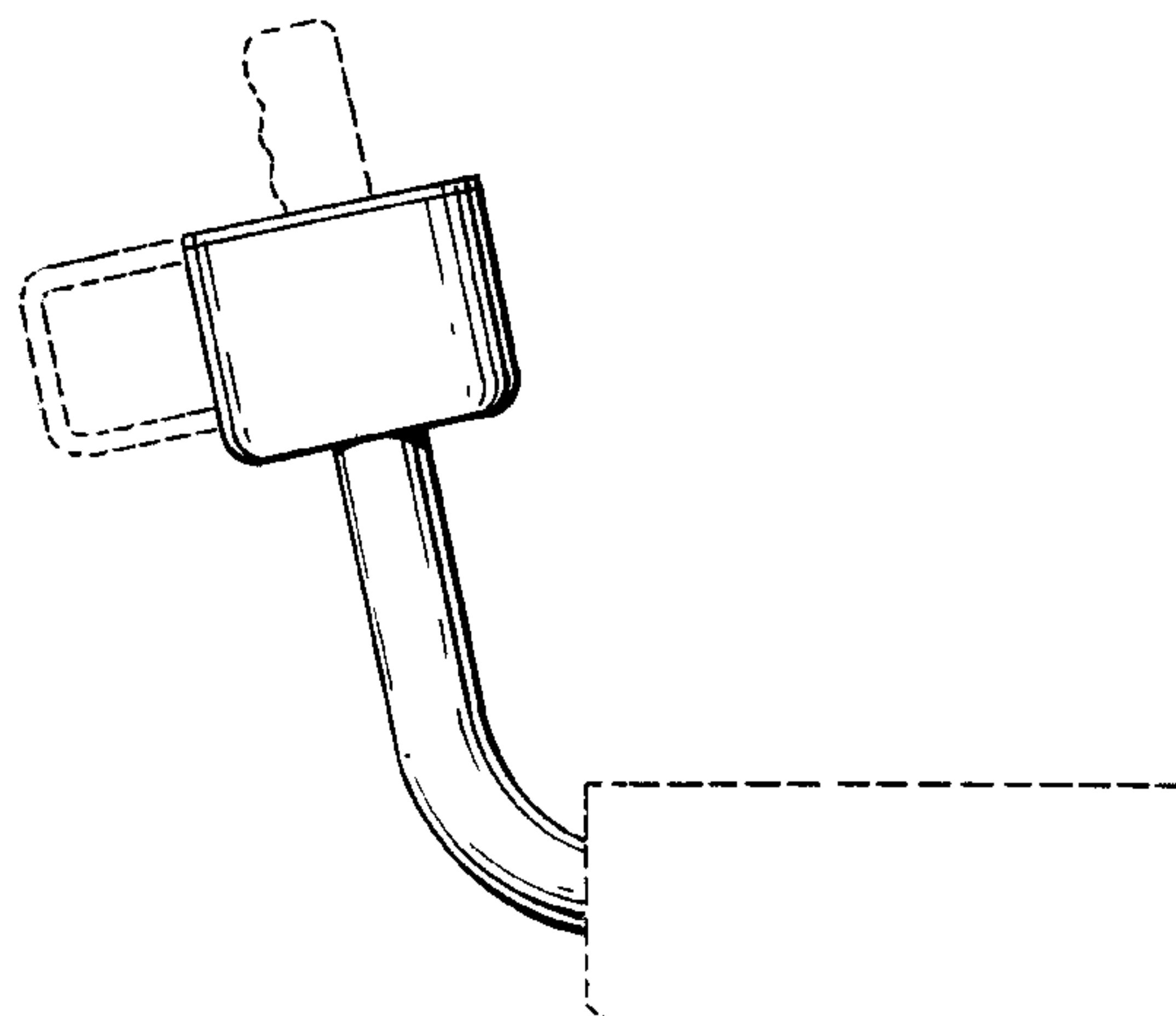
FIG. 11 is a rear view similar to FIG. 5 without the broken line showing of the environment.

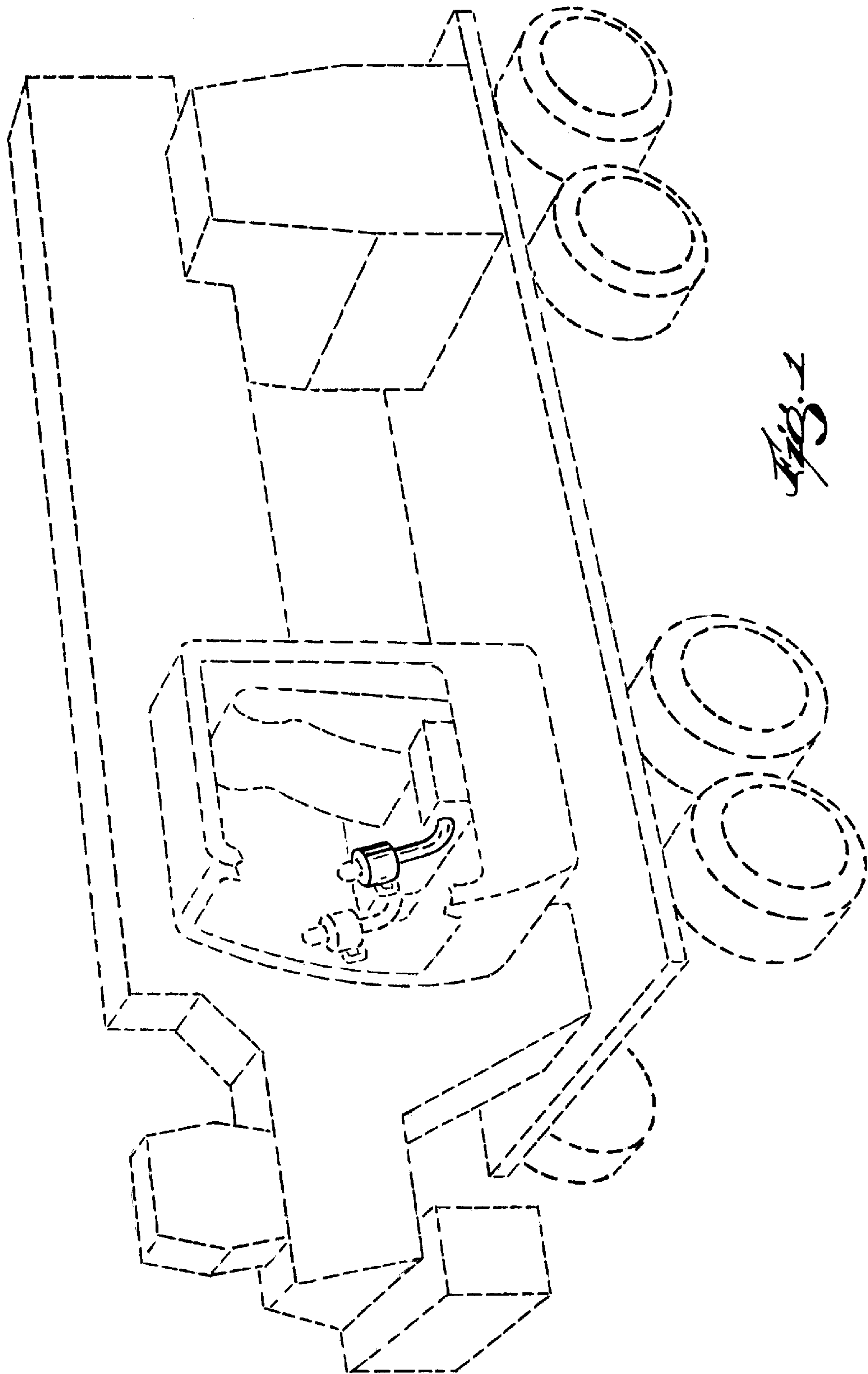
FIG. 12 is a top view similar to FIG. 6 without the broken line showing of the environment; and,

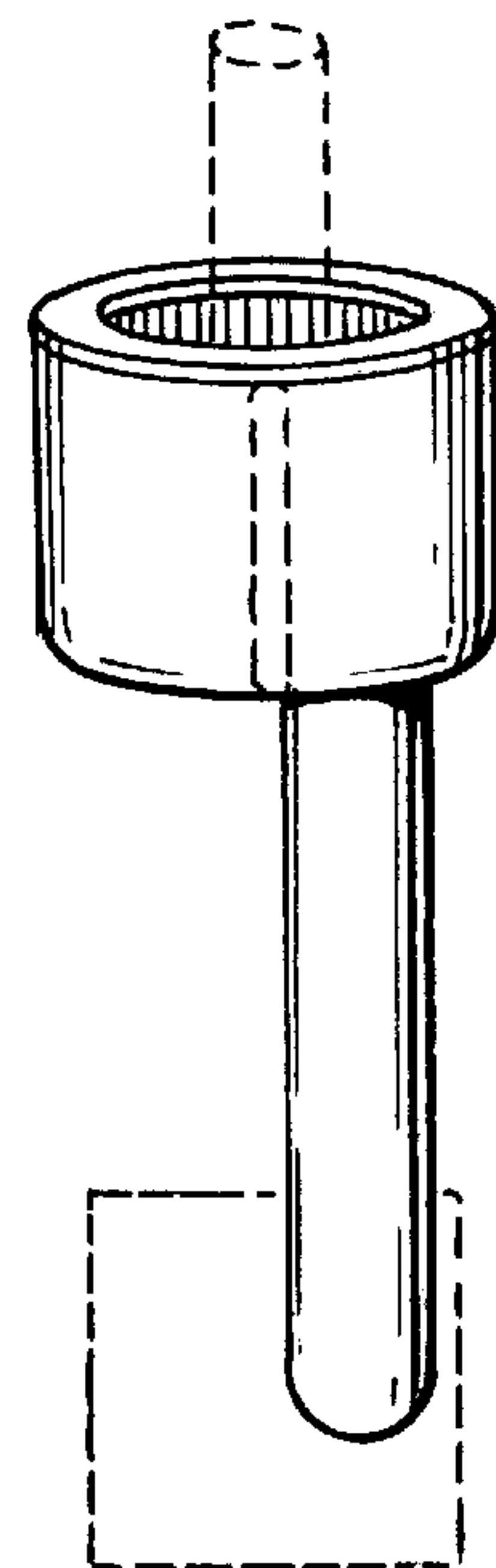
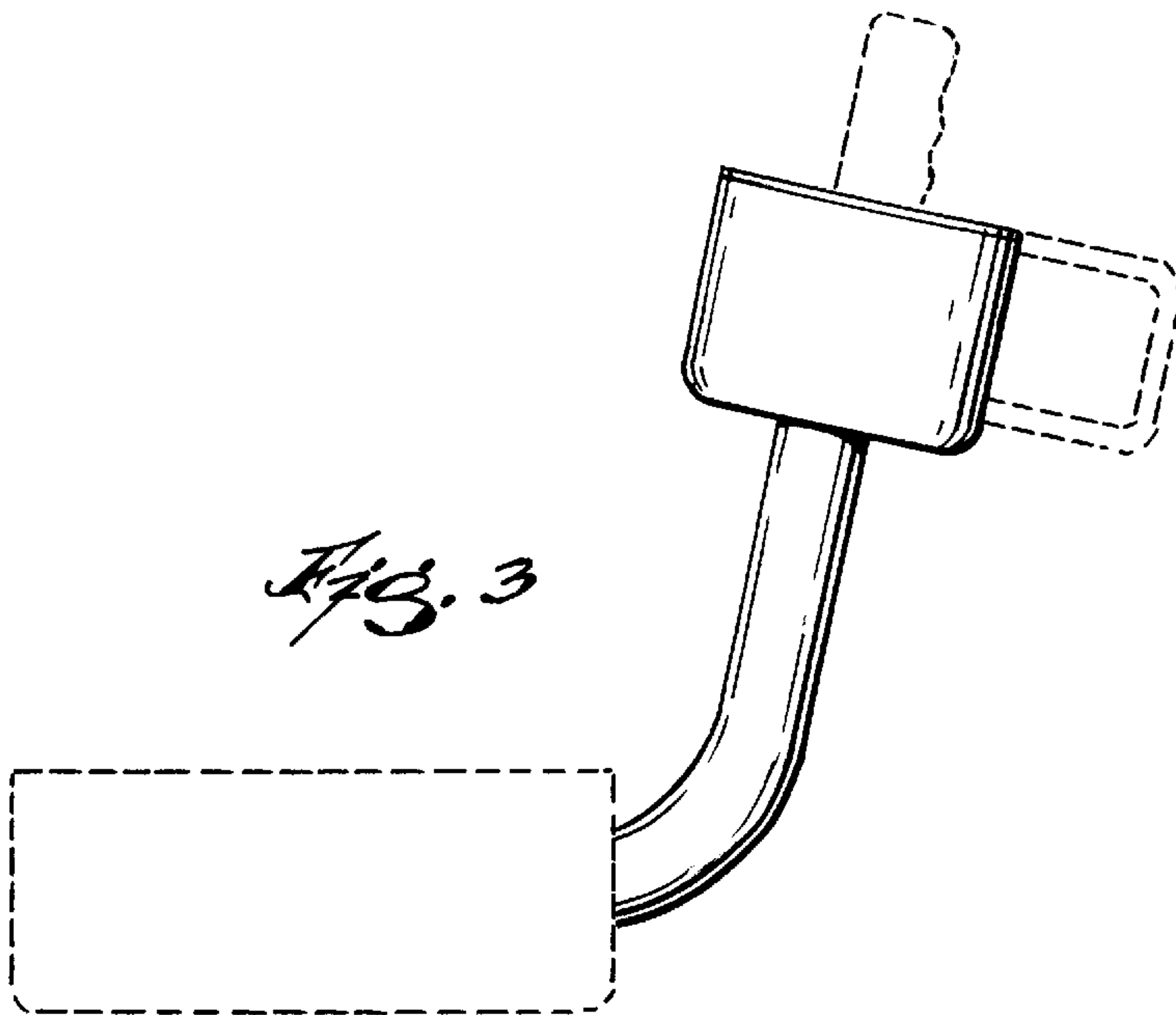
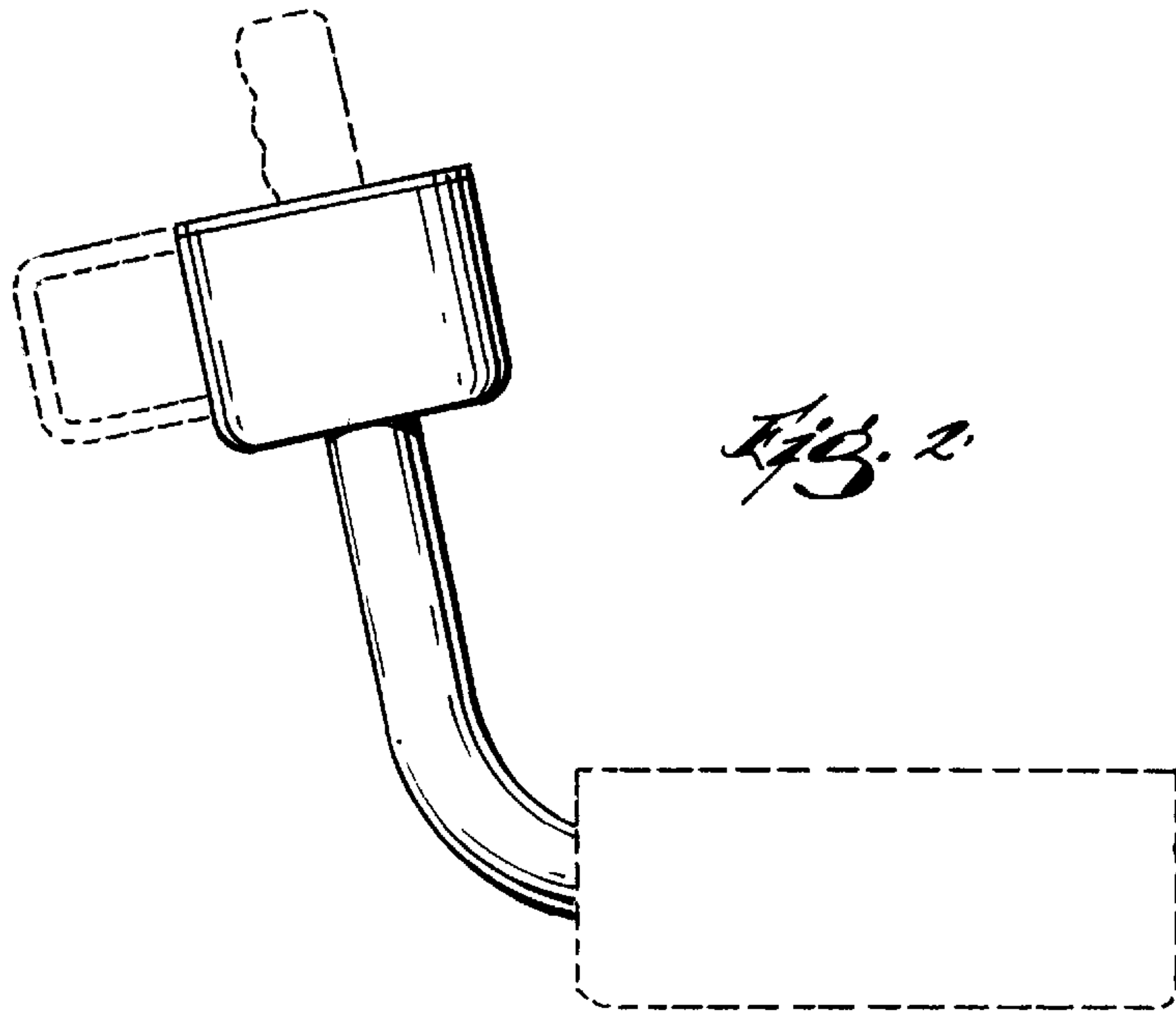
FIG. 13 is a bottom view similar to FIG. 7 without the broken line showing of the environment.

The broken line showing of the environment is for illustrative purposes only and forms no part of the claimed design. The broken lines which define the boundaries of the claimed design form no part thereof.

1 Claim, 5 Drawing Sheets







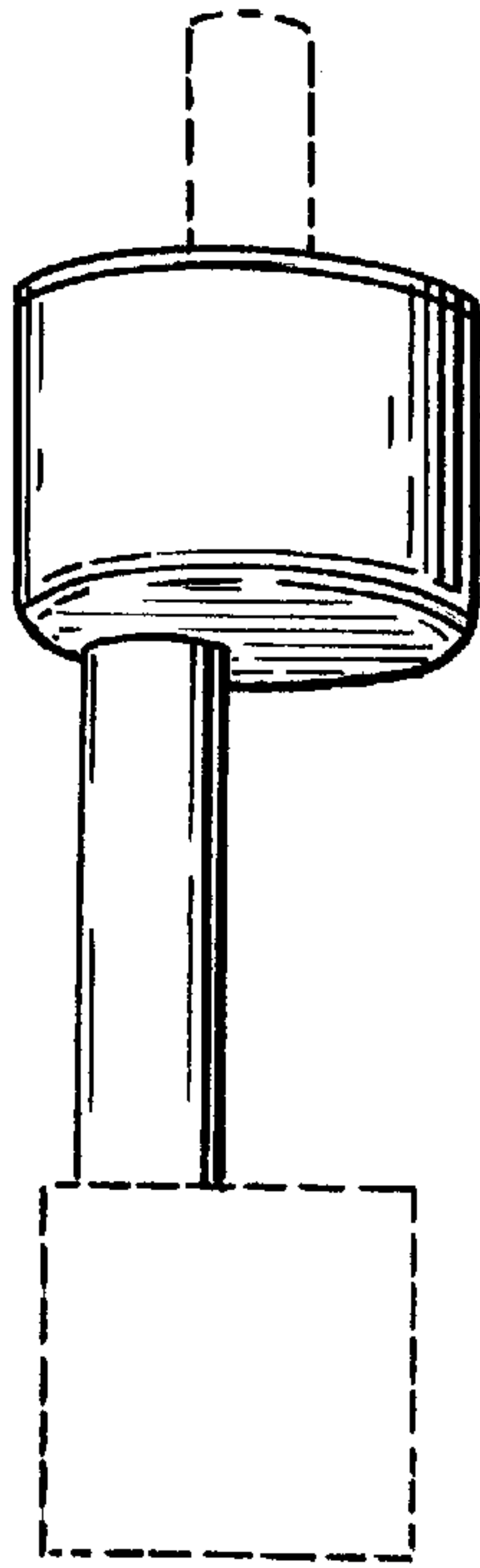


Fig. 5

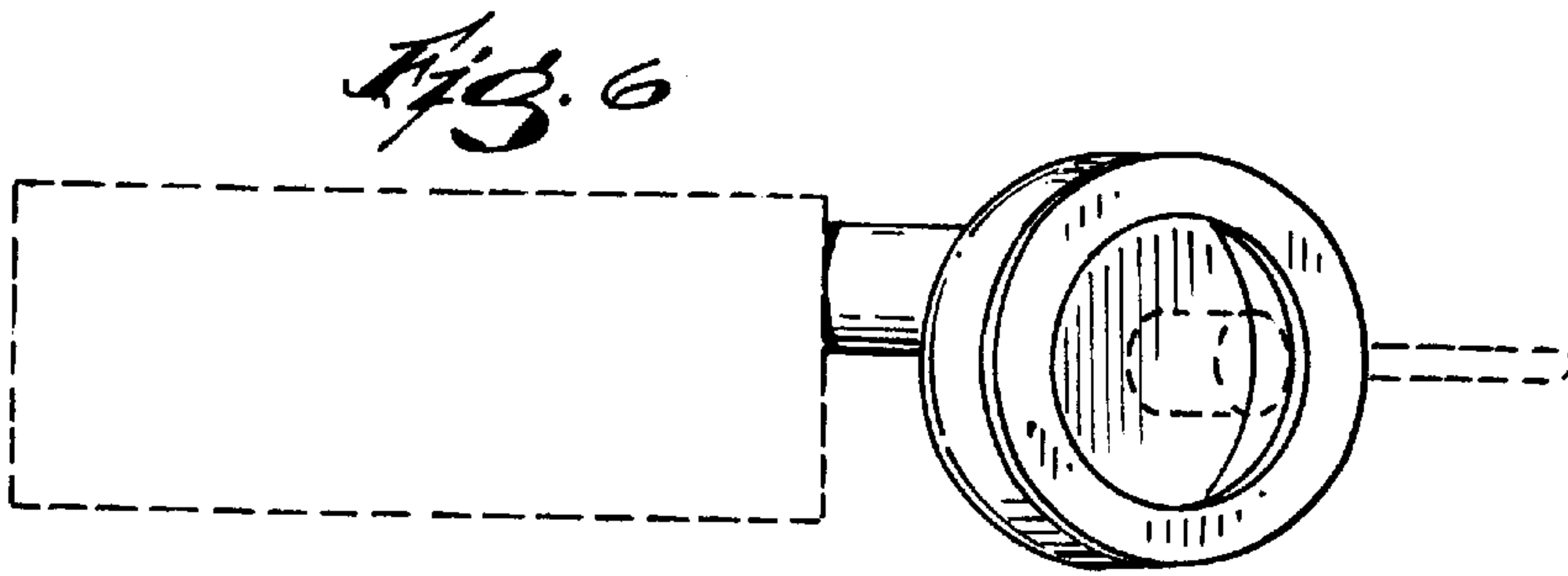


Fig. 6

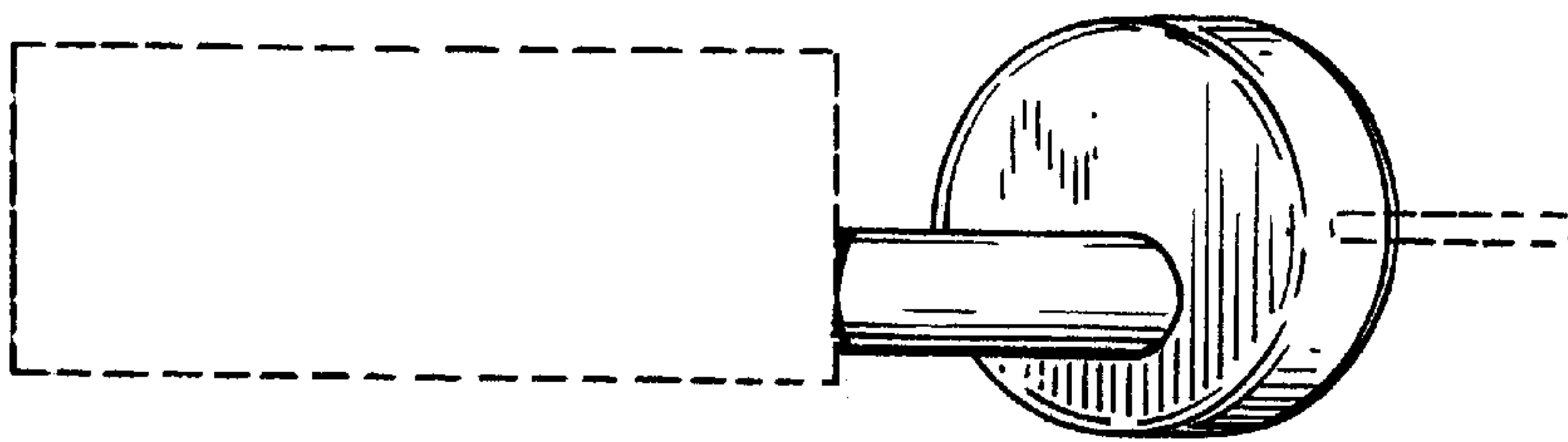


Fig. 7

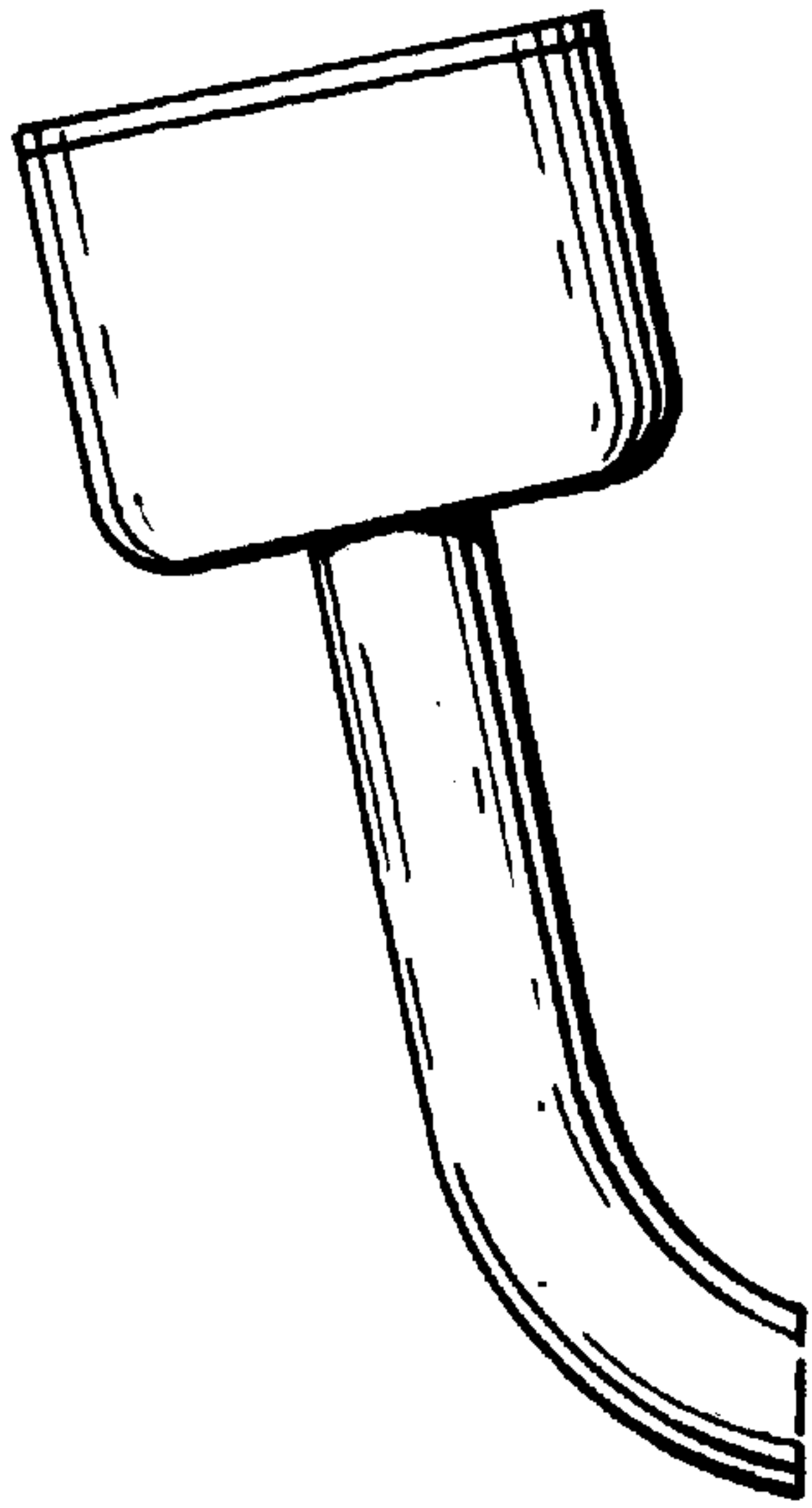


Fig. 8

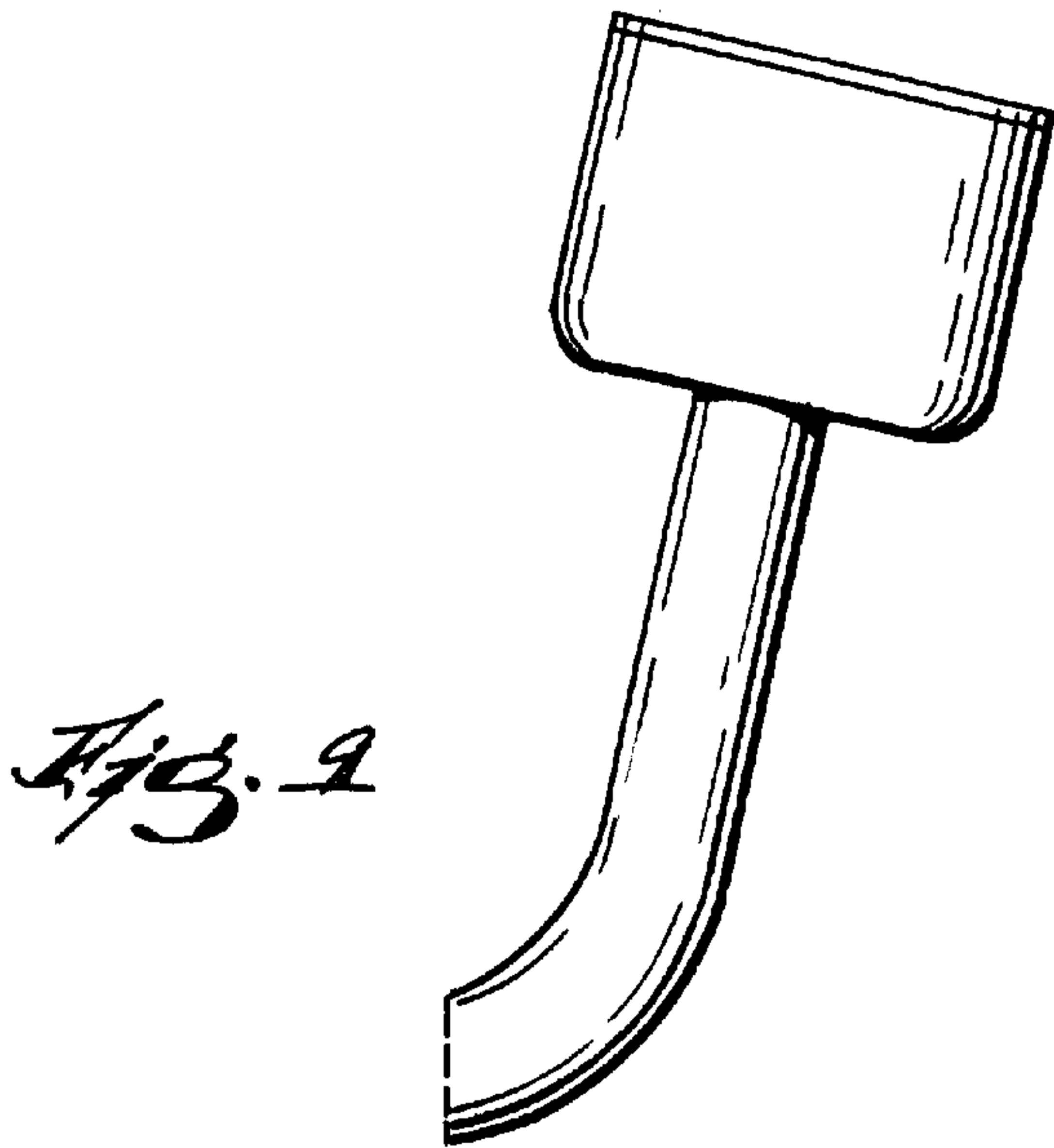


Fig. 9

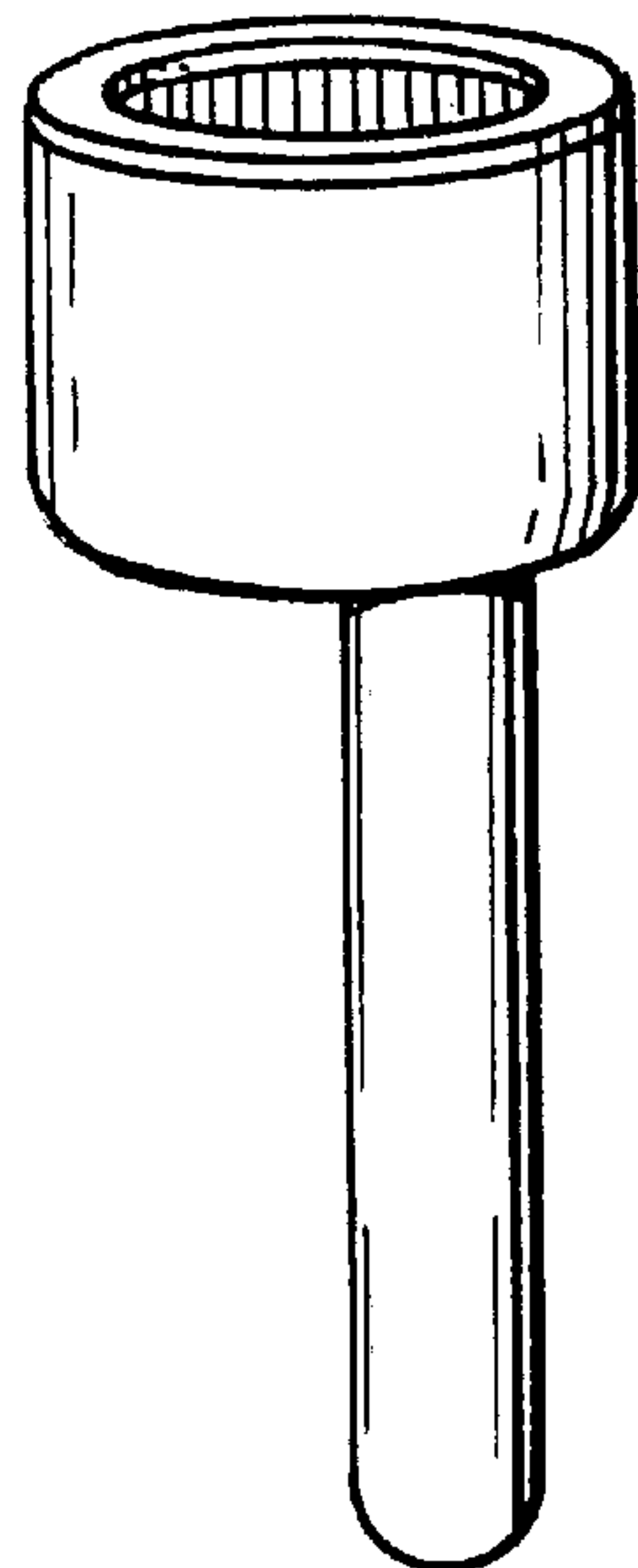


Fig. 10

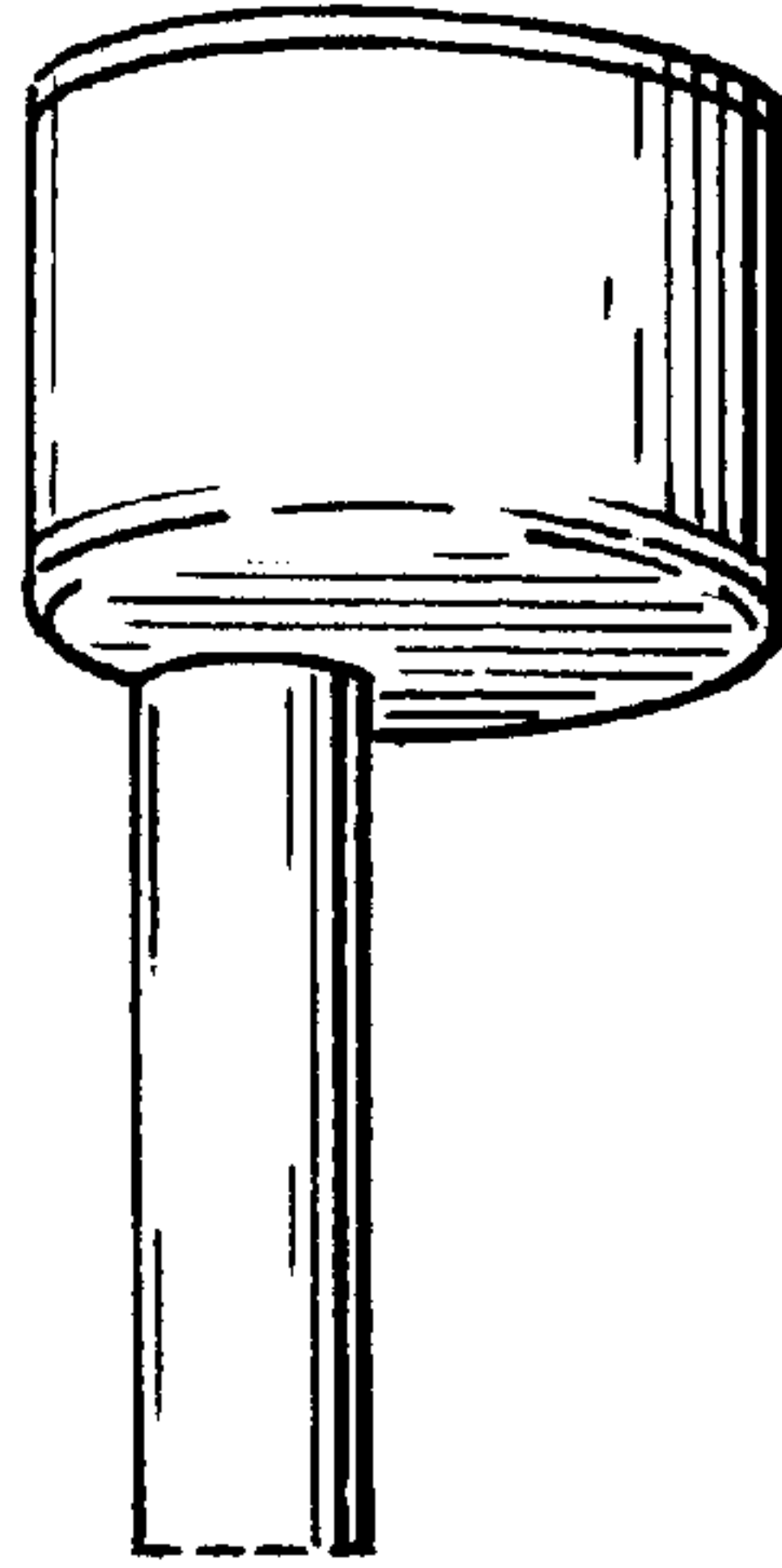


Fig. 11

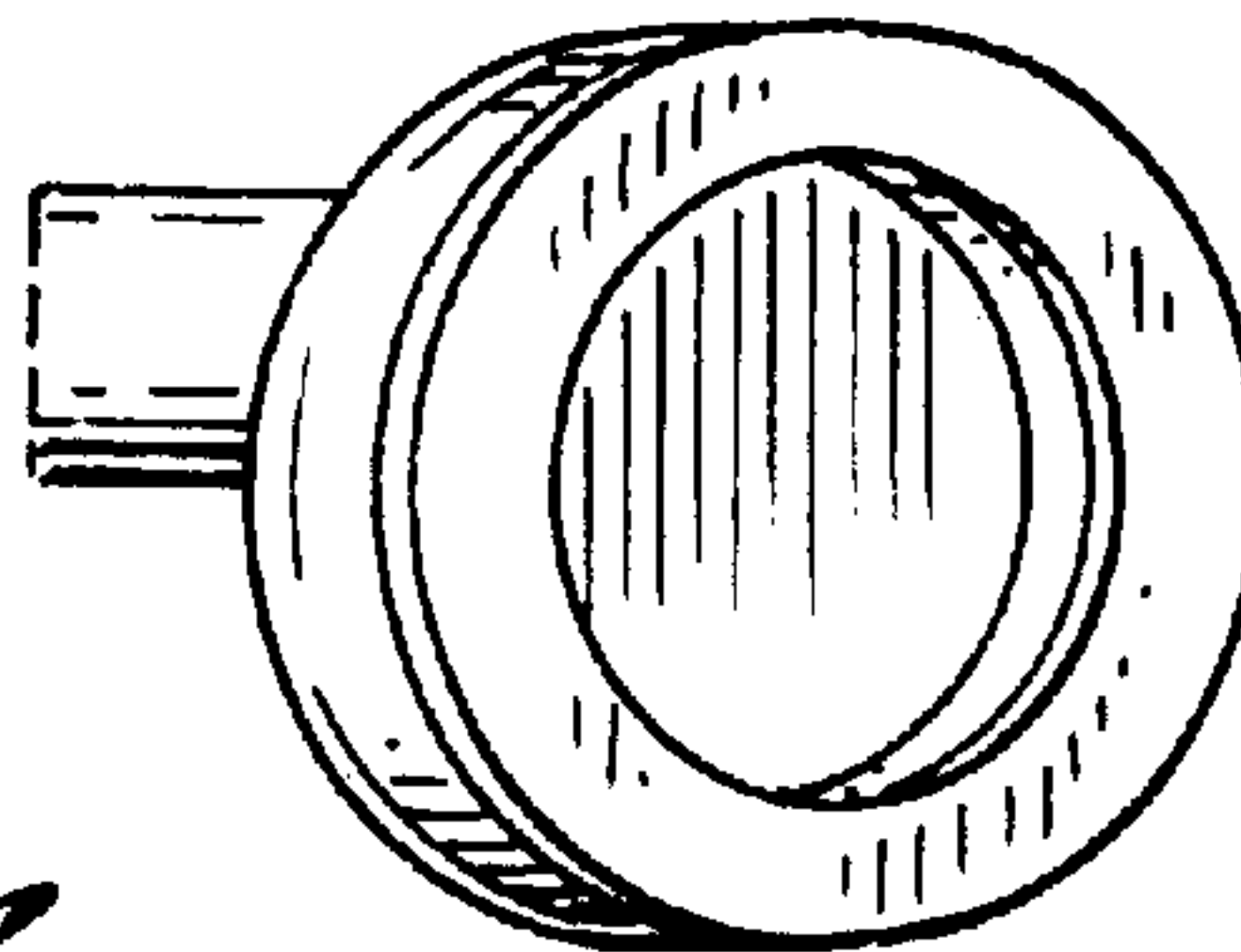


Fig. 12.

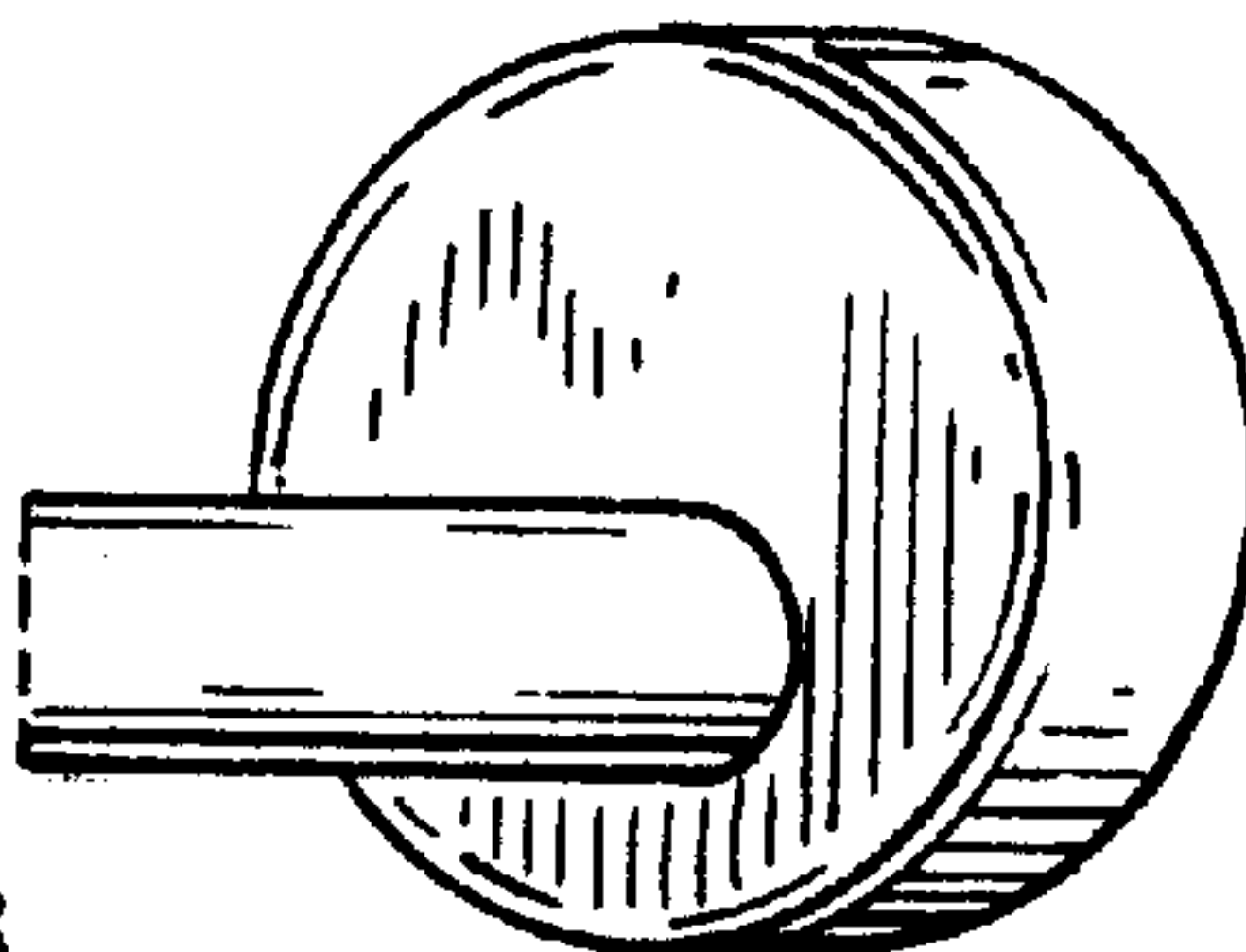


Fig. 13