



US00D481977S

(12) **United States Design Patent**
Hood et al.

(10) **Patent No.:** **US D481,977 S**

(45) **Date of Patent:** **** Nov. 11, 2003**

(54) **WHEELCHAIR FOOTPAD EXTENSION**

(76) Inventors: **Mildred LaLani Hood**, 2556 Dull
Center Rd., Douglas, WY (US) 82633;
Lona Jean Nachtman, 2556 Dull
Center Rd., Douglas, WY (US) 82633

(**) Term: **14 Years**

(21) Appl. No.: **29/173,146**

(22) Filed: **Dec. 23, 2002**

(51) **LOC (7) Cl.** **12-12**

(52) **U.S. Cl.** **D12/133**

(58) **Field of Search** D12/128-133;
280/87.01, 87.02, 87.042, 87.043, 204,
202, 218

(56) **References Cited**

U.S. PATENT DOCUMENTS

3,666,292 A 5/1972 Bartos
4,176,879 A 12/1979 Rodaway
4,538,857 A 9/1985 Engman

5,033,793 A 7/1991 Quintile
5,259,664 A 11/1993 Cottle
D426,177 S * 6/2000 Lundh D12/133
D442,123 S * 5/2001 Johnston D12/133
D472,503 S * 4/2003 Price D12/133

* cited by examiner

Primary Examiner—Marcus A. Jackson
(74) *Attorney, Agent, or Firm*—Richard L. Mikesell

(57) **CLAIM**

The design for a wheelchair footpad extension, as shown and described.

DESCRIPTION

FIG. 1 Top perspective view.
FIG. 2 Side view.
FIG. 3 Top plan.
FIG. 4 Bottom plan.
FIG. 5 Rear view; and,
FIG. 6 Front view.

1 Claim, 1 Drawing Sheet

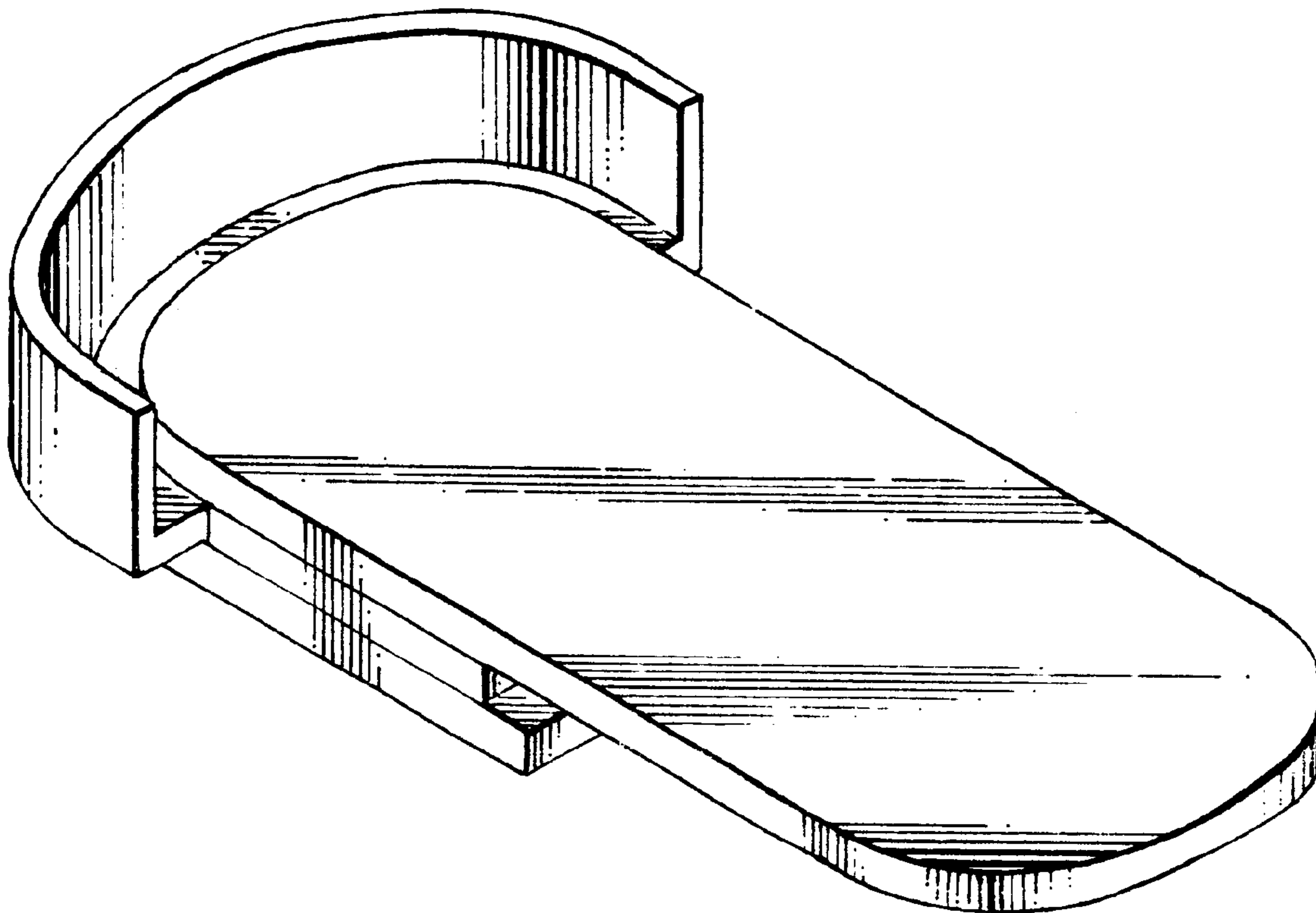


FIG. 1

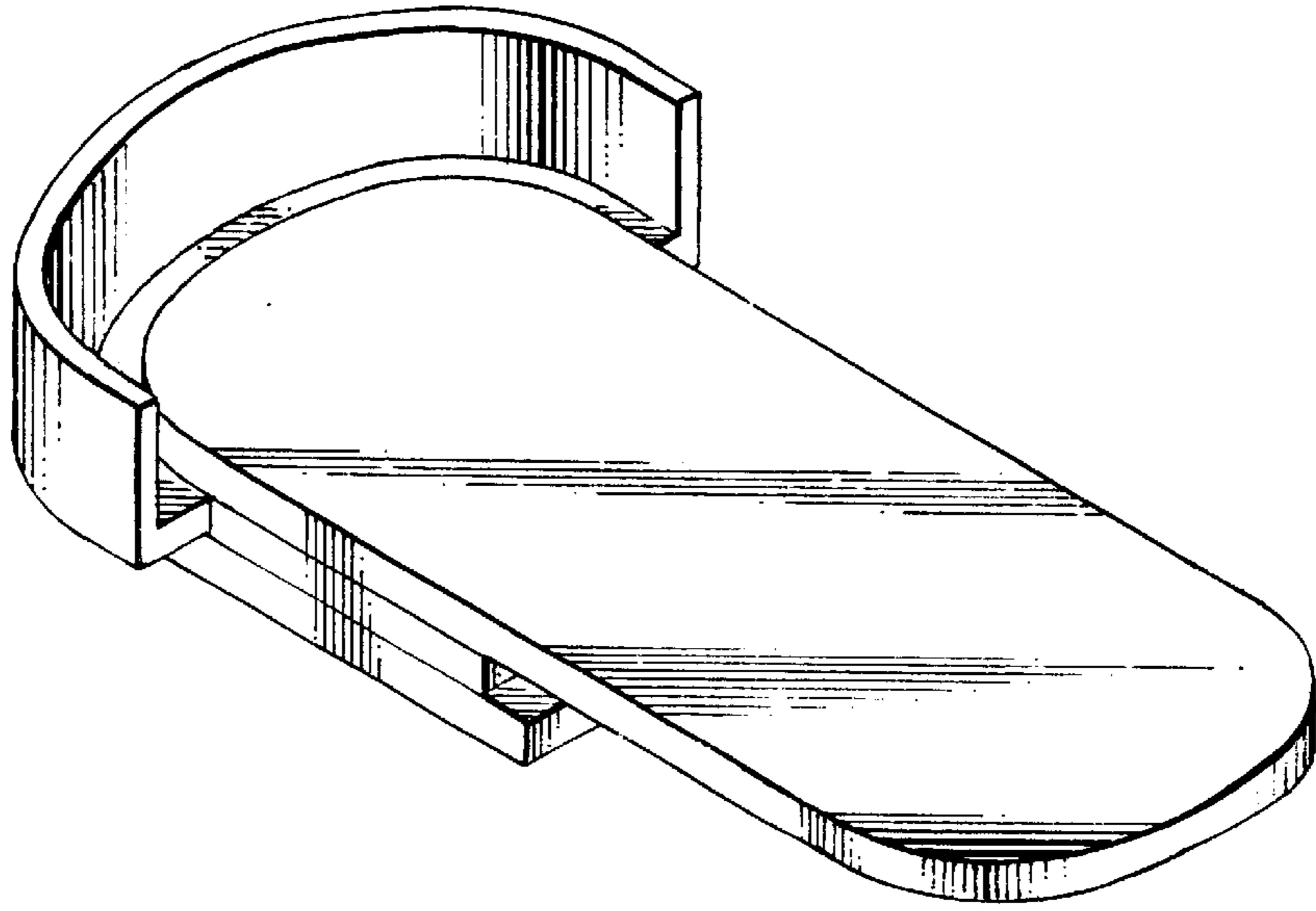


FIG. 2

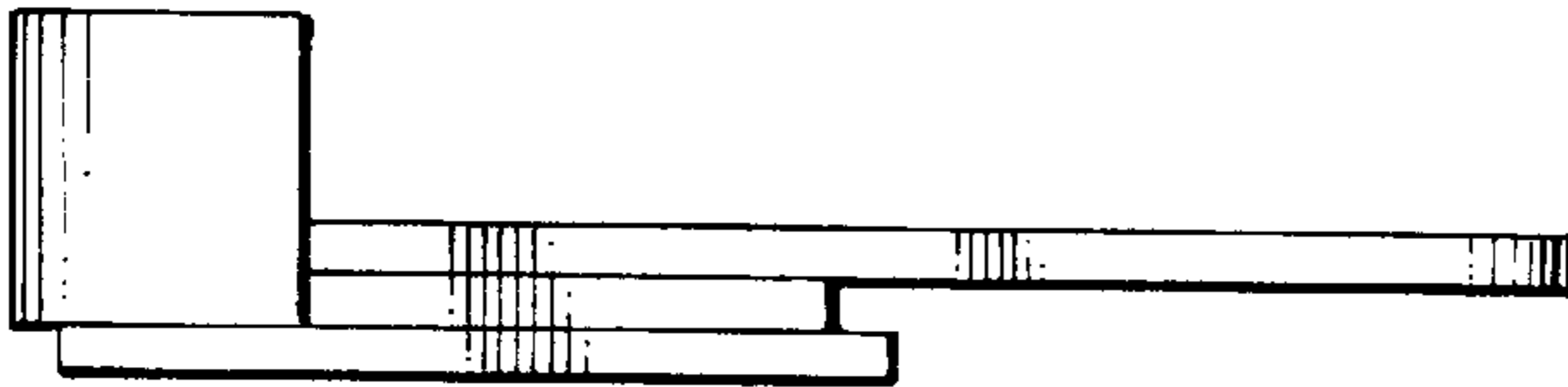


FIG. 3

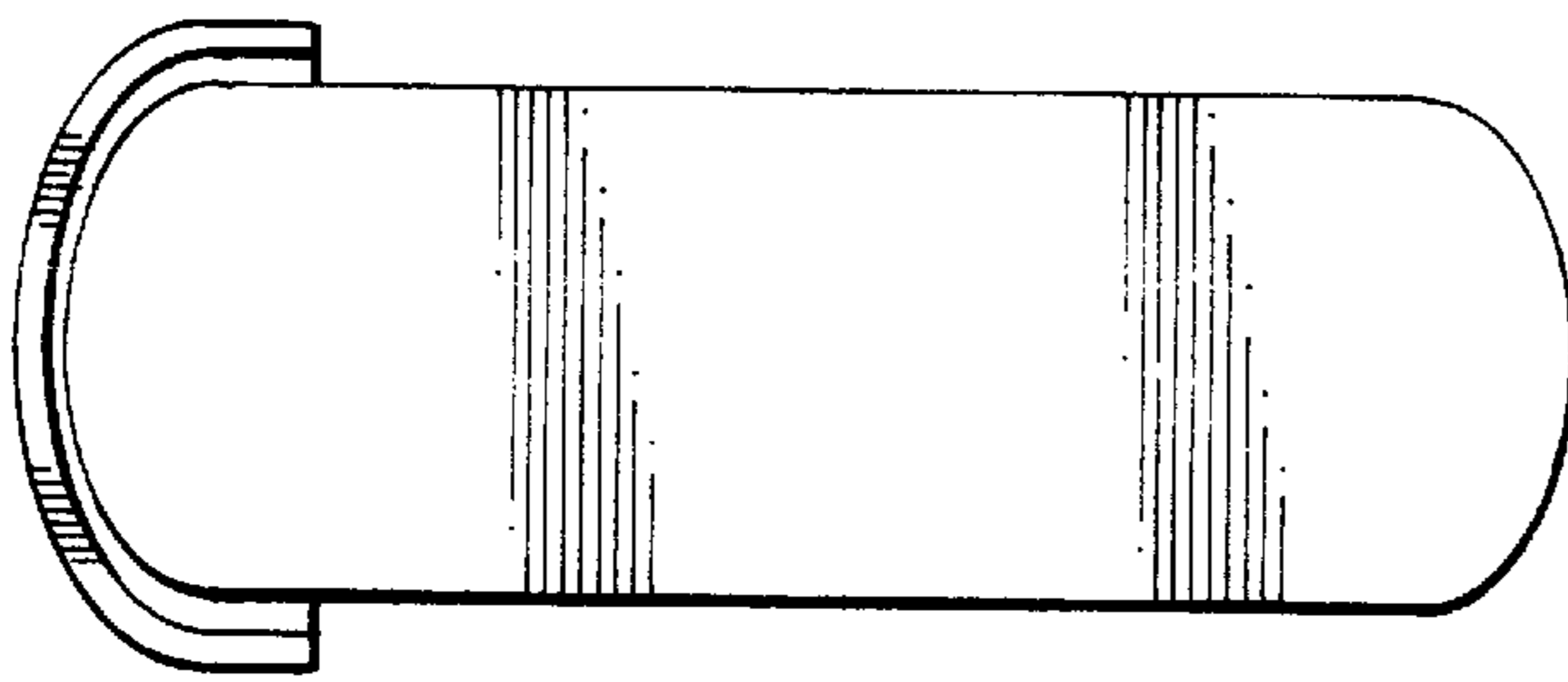


FIG. 4

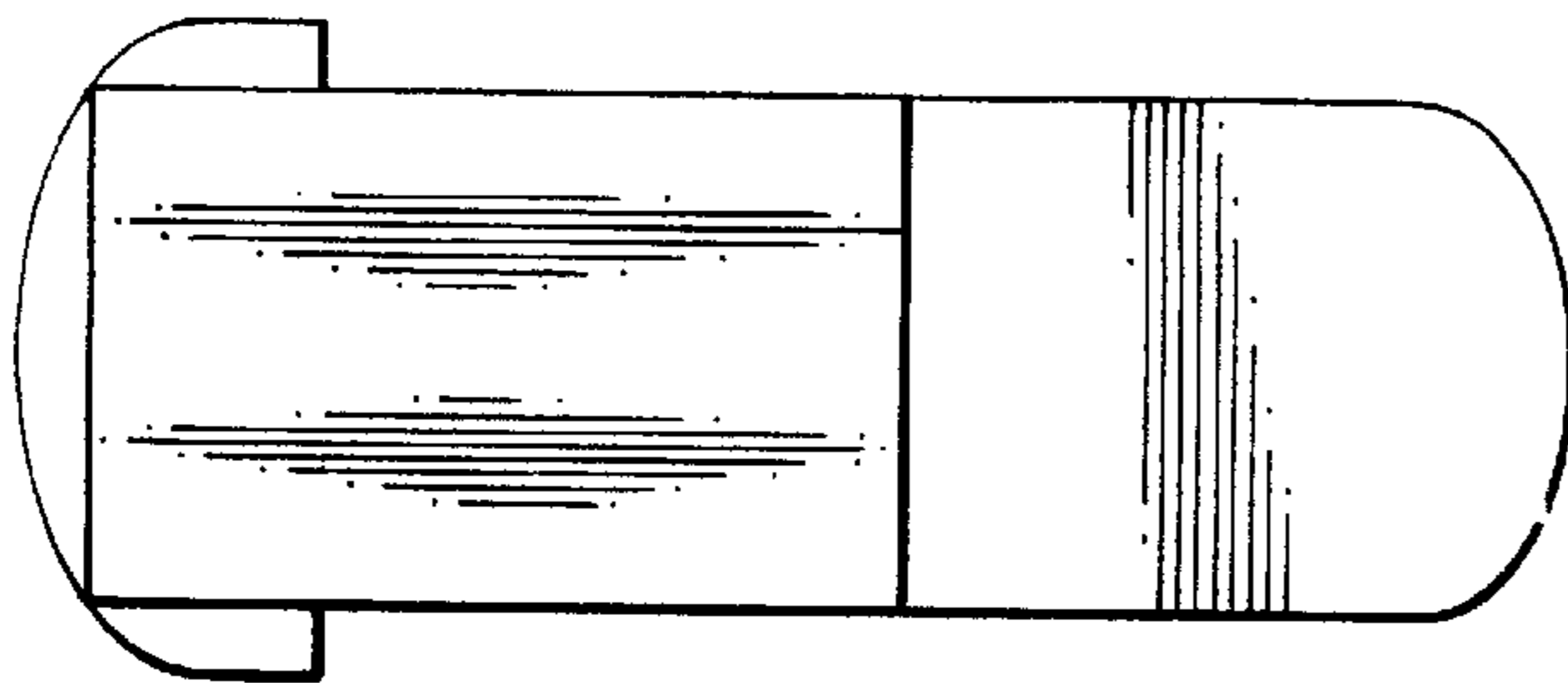


FIG. 6

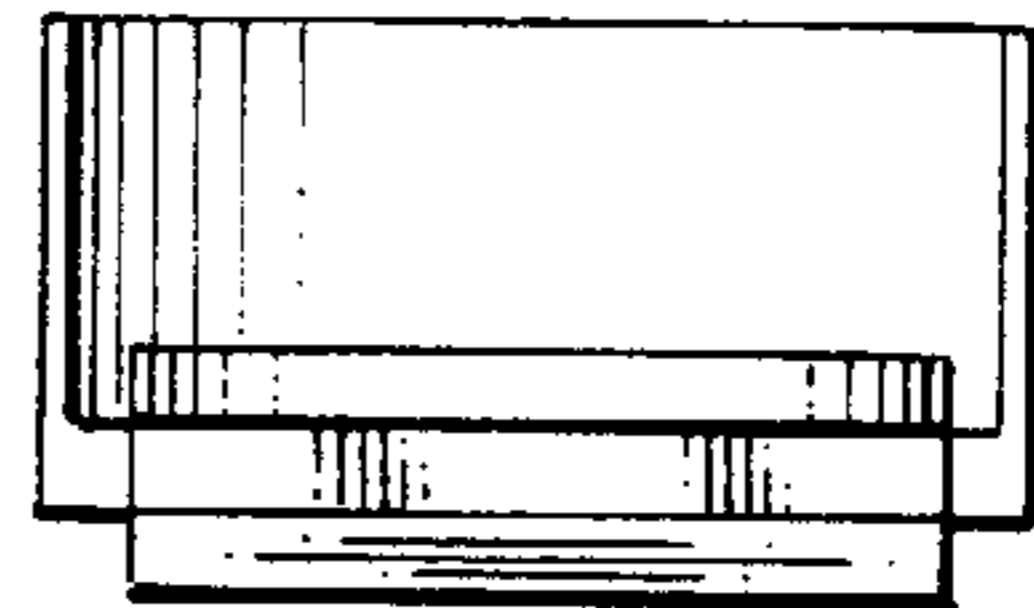


FIG. 5

