



US00D481976S

(12) **United States Design Patent**
Everett

(10) **Patent No.:** **US D481,976 S**

(45) **Date of Patent:** **** Nov. 11, 2003**

(54) **DUAL-SEAT JOGGING STROLLER**

(76) **Inventor:** **Richard C. Everett**, 225 Sunshine La.,
West Linn, OR (US) 97068

(**) **Term:** **14 Years**

(21) **Appl. No.:** **29/174,839**

(22) **Filed:** **Jan. 27, 2003**

(51) **LOC (7) Cl.** **12-12**

(52) **U.S. Cl.** **D12/129**

(58) **Field of Search** **D12/128-133;**
280/36, 38, 42, 47, 62, 641, 642, 643, 650,
658

(56) **References Cited**

U.S. PATENT DOCUMENTS

D452,197 S	*	12/2001	Martin et al.	D12/129
D455,679 S	*	4/2002	Tai et al.	D12/129
D456,319 S	*	4/2002	Yeh	D12/129
D463,762 S	*	10/2002	Everett	D12/129

* cited by examiner

Primary Examiner—Marcus A. Jackson

(74) *Attorney, Agent, or Firm*—Edward E. Roberts

(57) **CLAIM**

The ornamental design for a dual-seat jogging stroller, as shown and described.

DESCRIPTION

FIG. 1 is a perspective view of a dual-seat jogging stroller showing my new design;

FIG. 2 is a left side elevational view of the dual-seat jogging stroller of FIG. 1;

FIG. 3 is a right side elevational view of the dual-seat jogging stroller of FIG. 1;

FIG. 4 is a front elevational view of the dual-seat jogging stroller of FIG. 1;

FIG. 5 is a rear elevational view of the dual-seat jogging stroller of FIG. 1;

FIG. 6 is a top plan view of the dual-seat jogging stroller of FIG. 1; and,

FIG. 7 is a bottom plan view of the dual-seat jogging stroller of FIG. 1.

1 Claim, 6 Drawing Sheets

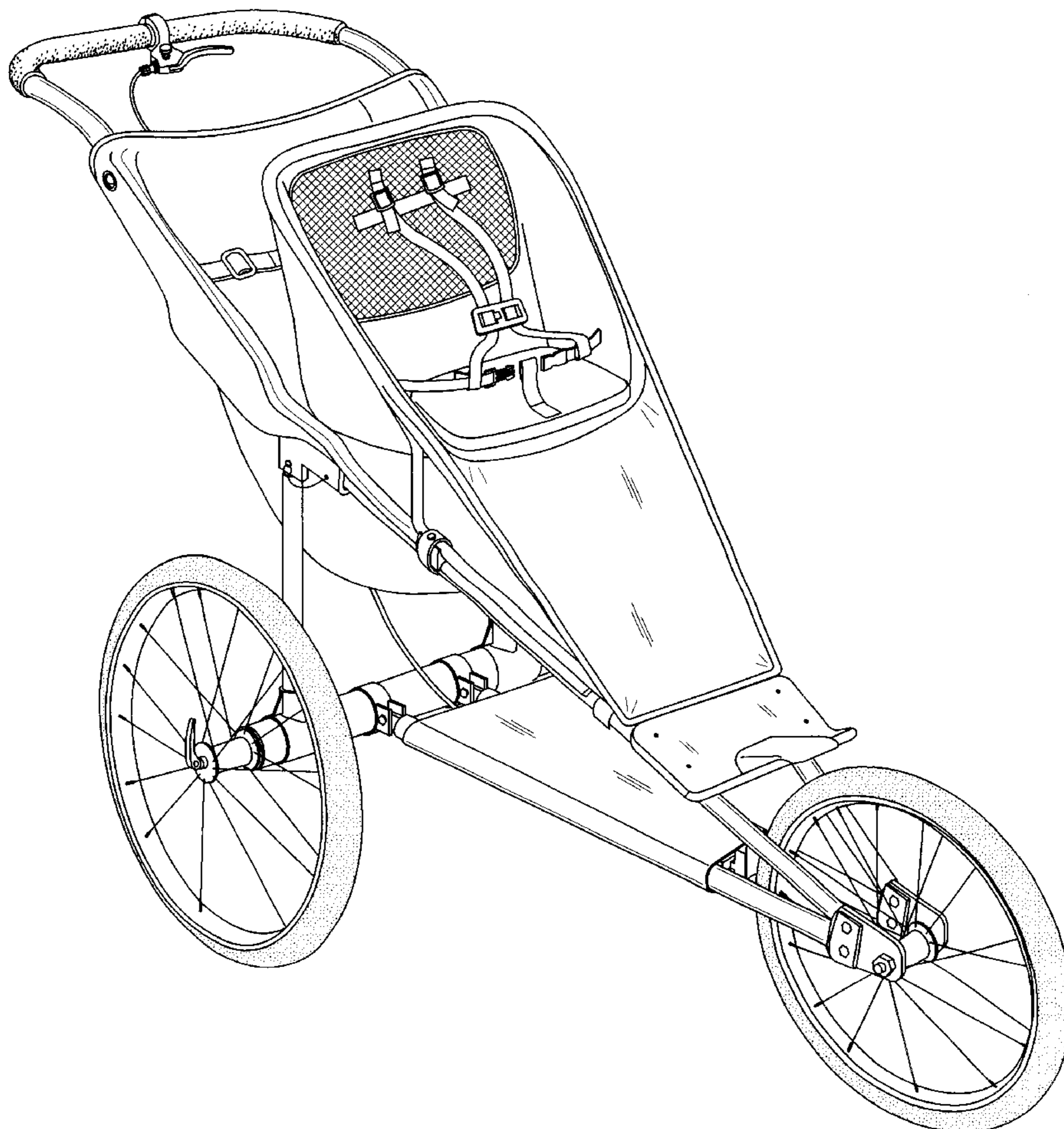
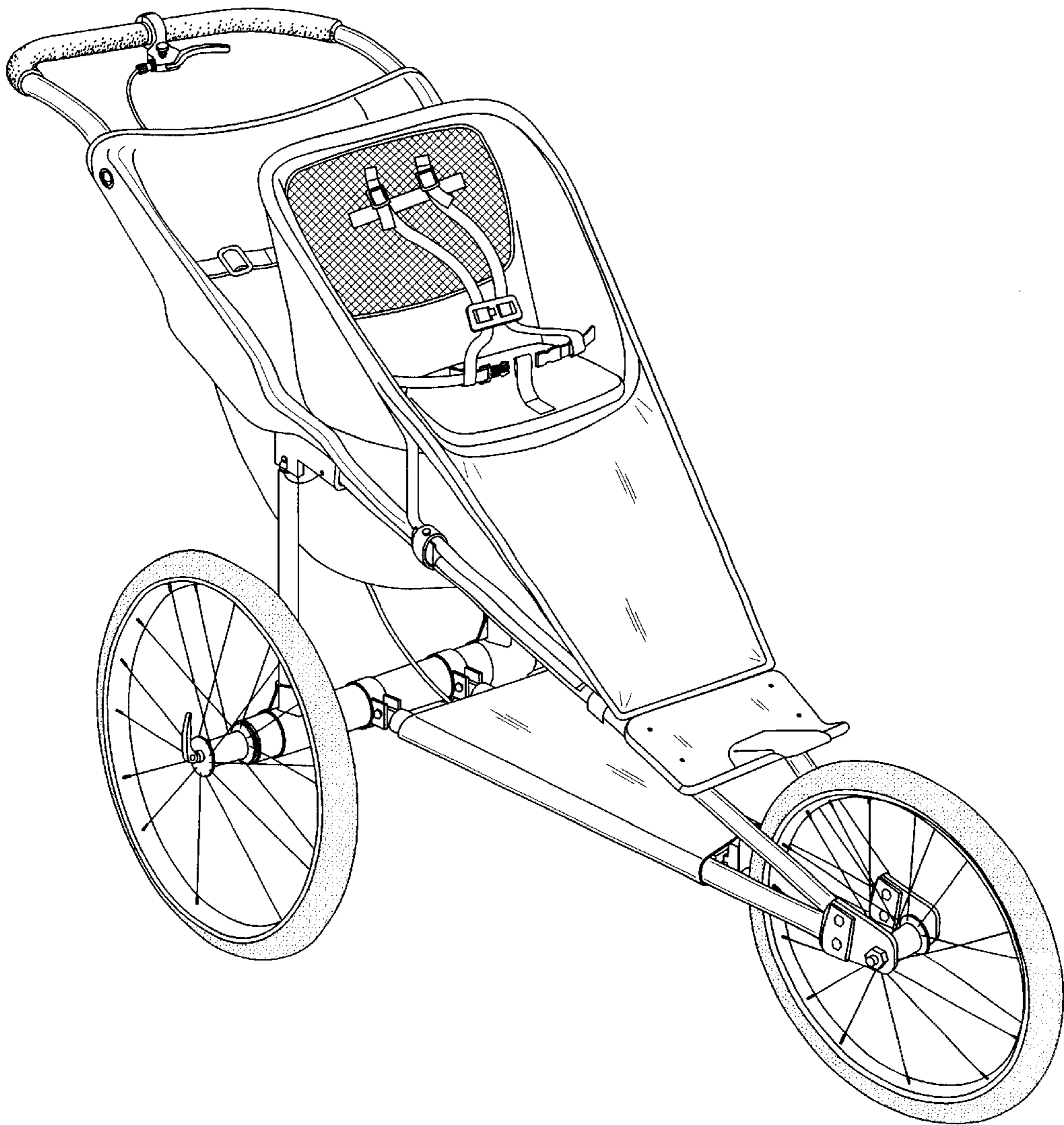


Fig. 1



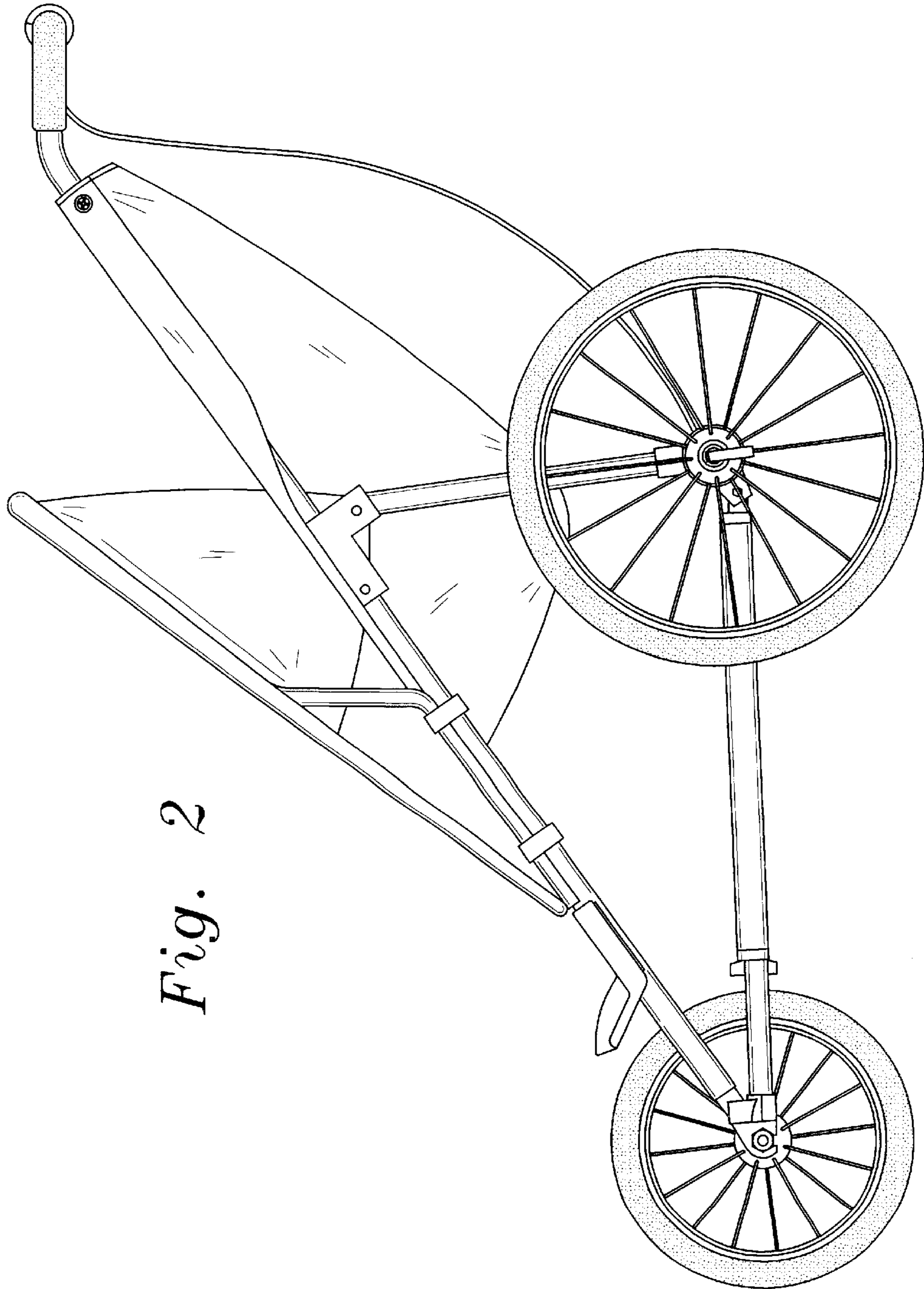


Fig. 2

Fig. 3

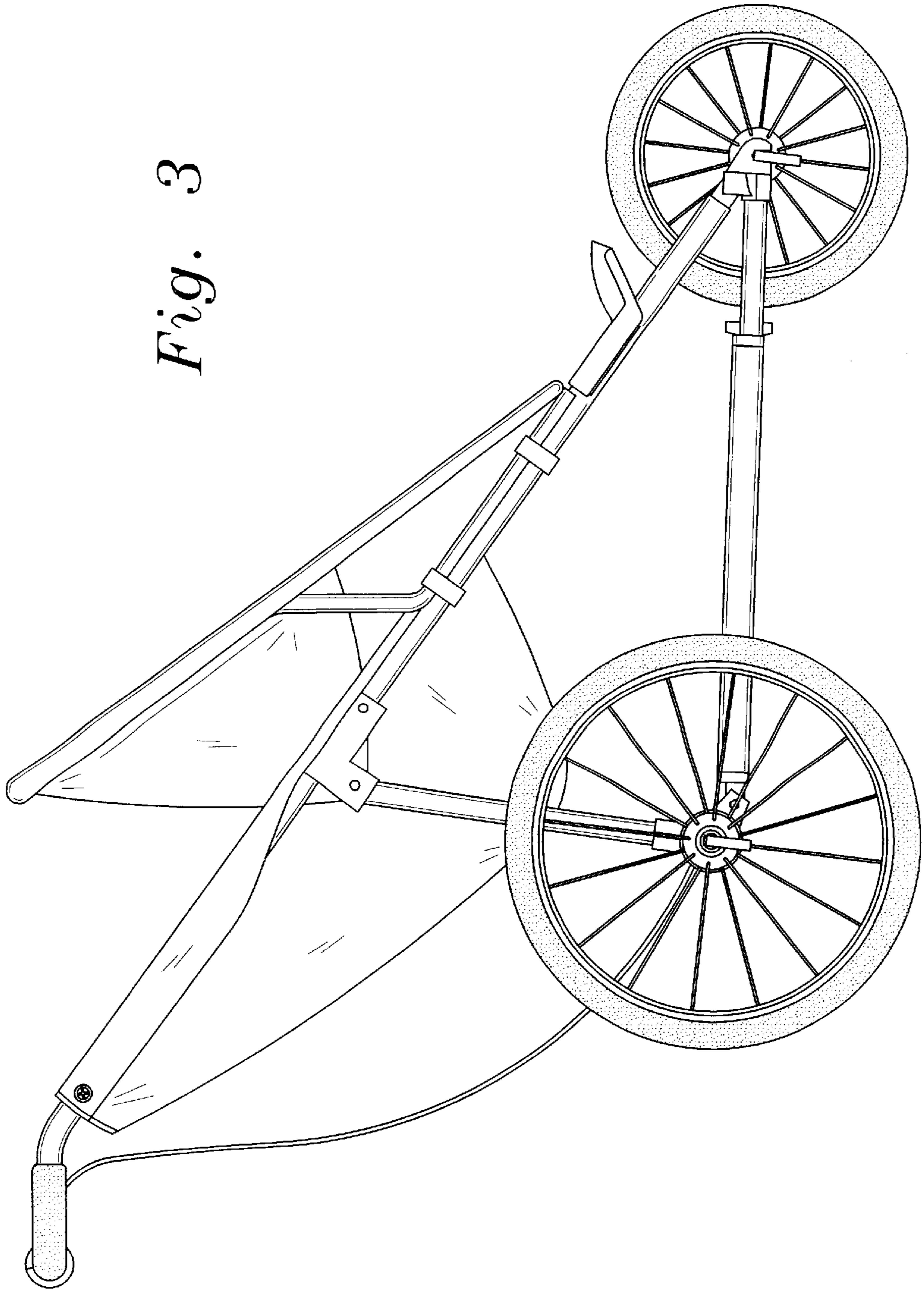


Fig. 5

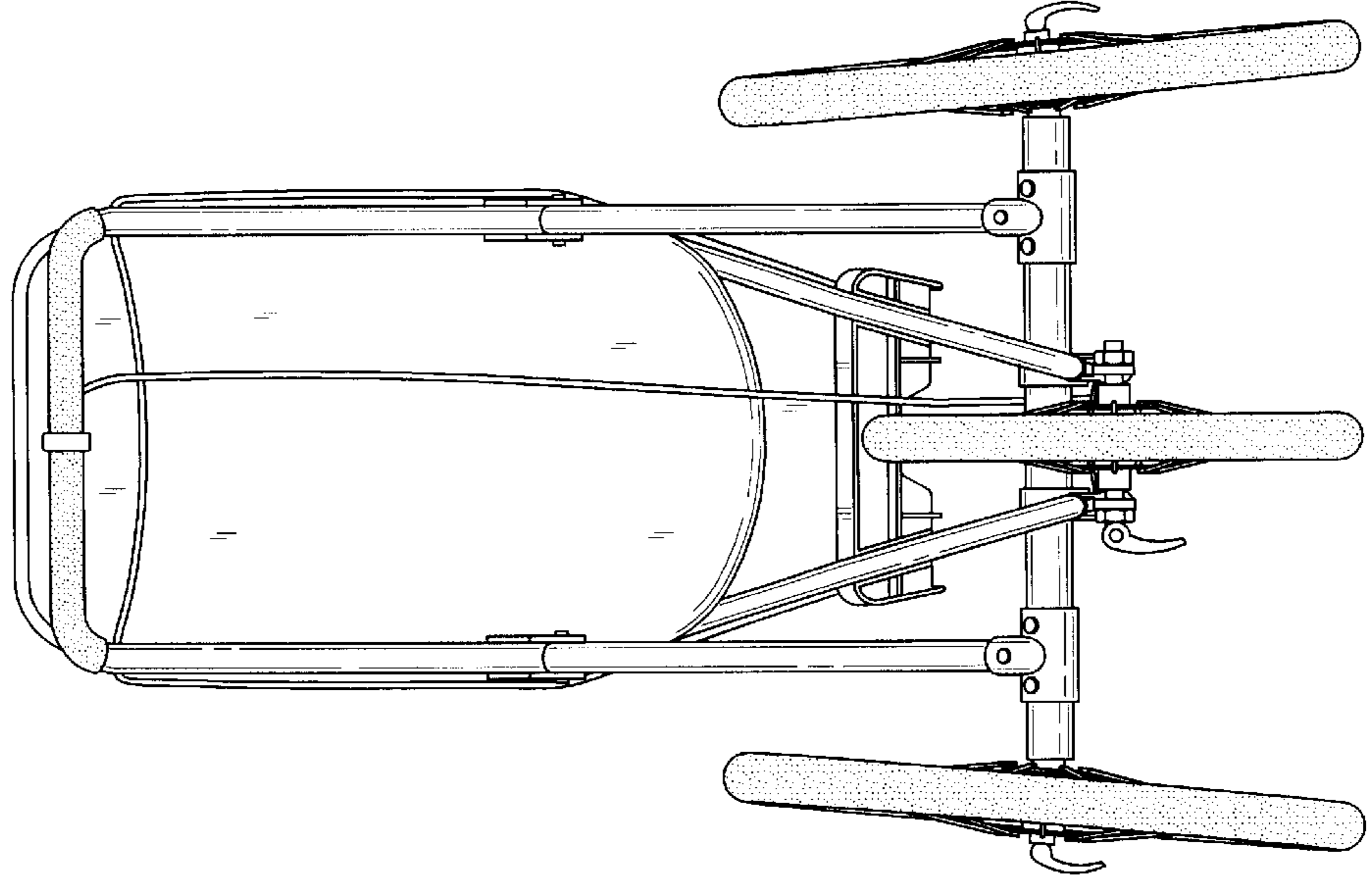


Fig. 4

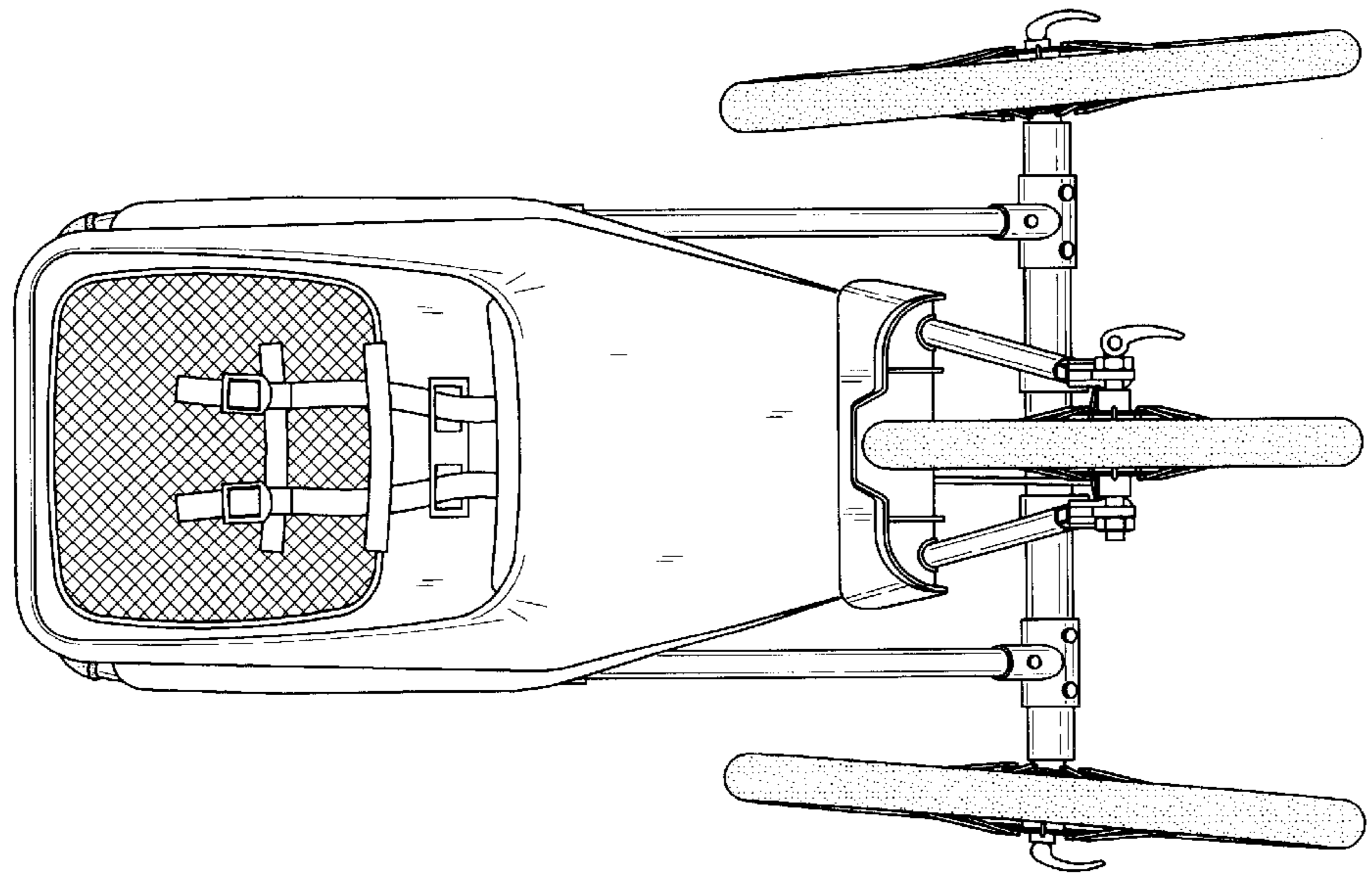


Fig. 6

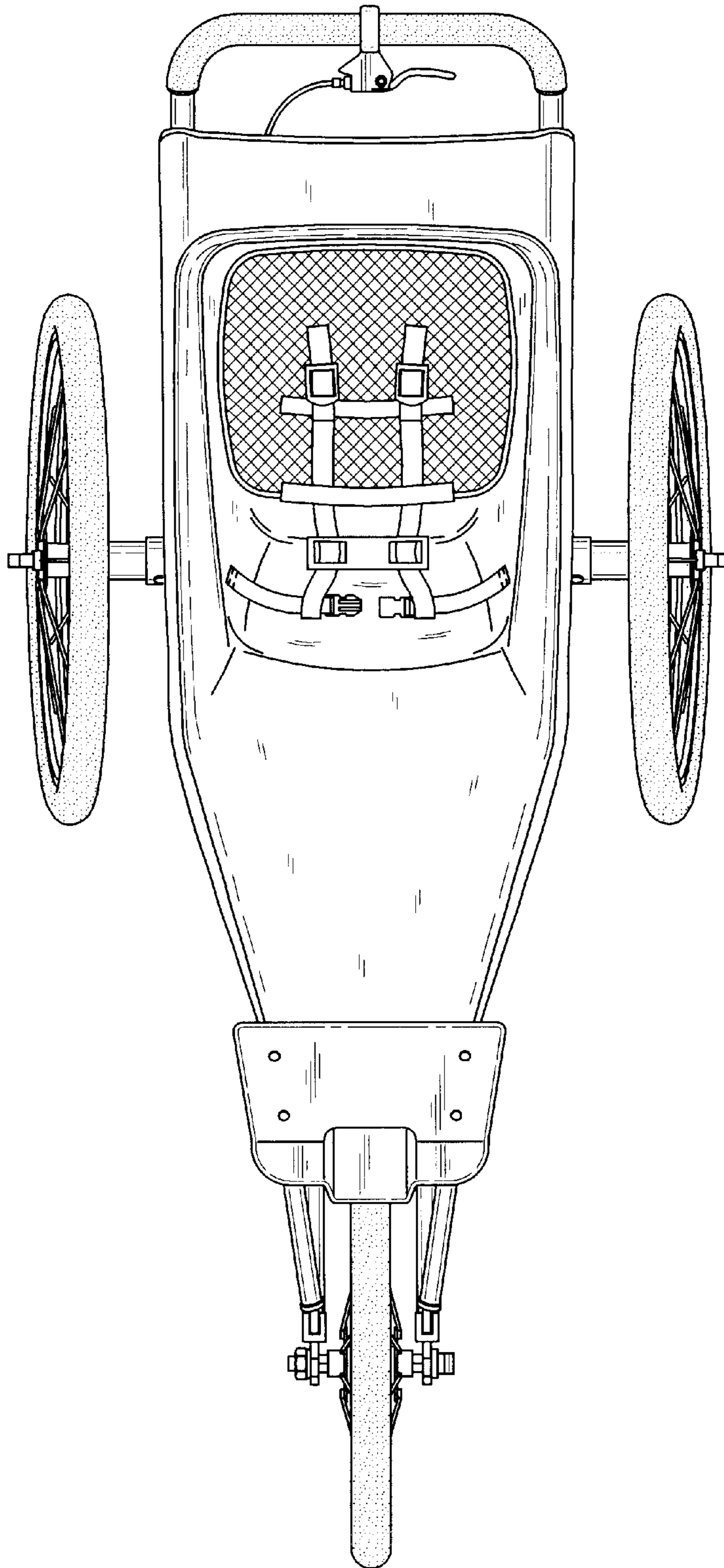


Fig. 7

