



US00D481975S

(12) **United States Design Patent**  
**Prouty**

(10) **Patent No.:** **US D481,975 S**

(45) **Date of Patent:** **\*\* Nov. 11, 2003**

(54) **CART**

(76) **Inventor:** **Larry Prouty**, 11230 Dutch Hill Rd.  
P.O. Box 322, Dresen, OH (US) 43821

(\*\*) **Term:** **14 Years**

(21) **Appl. No.:** **29/156,914**

(22) **Filed:** **Mar. 11, 2002**

(51) **LOC (7) Cl.** ..... **12-12**

(52) **U.S. Cl.** ..... **D12/129**

(58) **Field of Search** ..... **D12/128-133;**  
**D21/533, 534, 535, 536; 280/42, 62, 641,**  
**642, 650, 657, 658, 647, 648**

(56) **References Cited**

**U.S. PATENT DOCUMENTS**

4,685,688 A	8/1987	Edwards
D297,525 S	9/1988	Baechler
4,848,780 A	7/1989	Straub
4,856,809 A	8/1989	Kohus

5,176,395 A	1/1993	Garforth-Bles	
5,344,171 A	9/1994	Garforth-Bles	
5,375,861 A	12/1994	Gifford	
5,511,802 A	4/1996	Aitken	
D415,073 S	* 10/1999	Meehan et al.	..... D12/129
D419,113 S	* 1/2000	Everett	..... D12/129
D422,948 S	* 4/2000	Huang	..... D12/129

\* cited by examiner

*Primary Examiner*—Marcus A. Jackson  
(74) *Attorney, Agent, or Firm*—Richard L. Mikesell

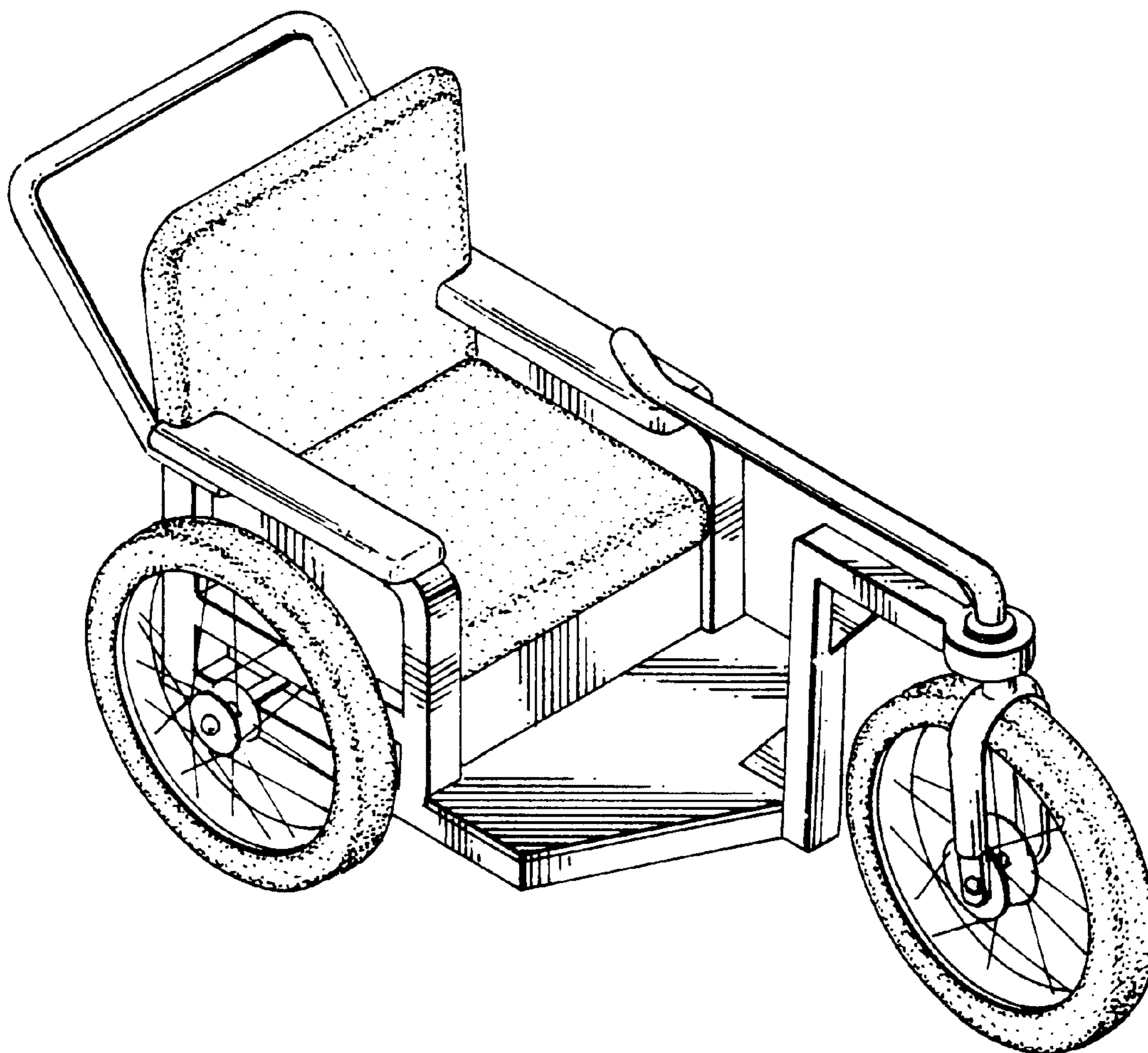
(57) **CLAIM**

The design for a cart, as shown and described.

**DESCRIPTION**

FIG. 1 Top left perspective view.  
FIG. 2 Side view, with the opposite side being a mirror image; and,  
FIG. 3 Rear view.  
The bottom is plain and unadorned.

**1 Claim, 1 Drawing Sheet**



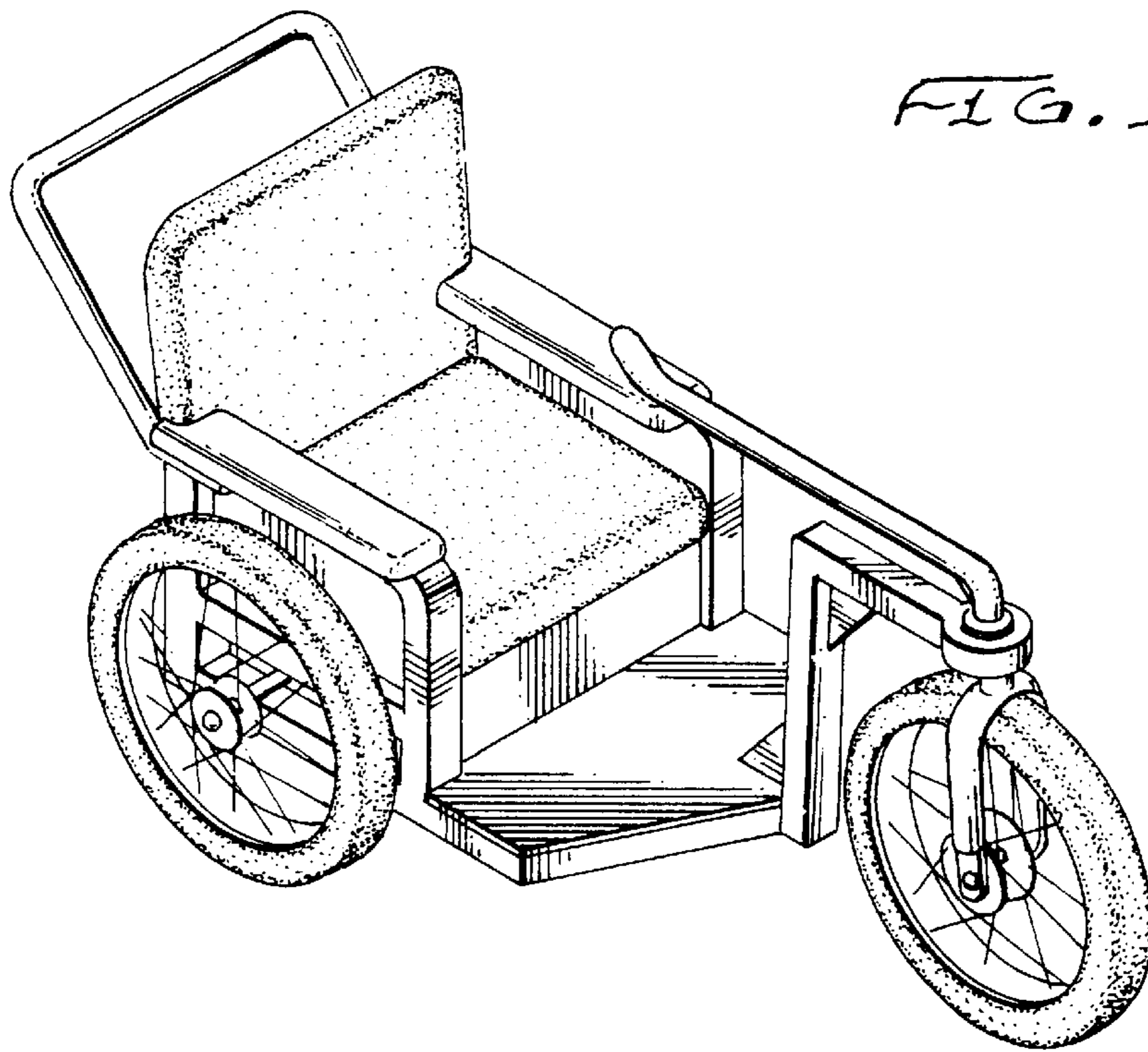


FIG. 1

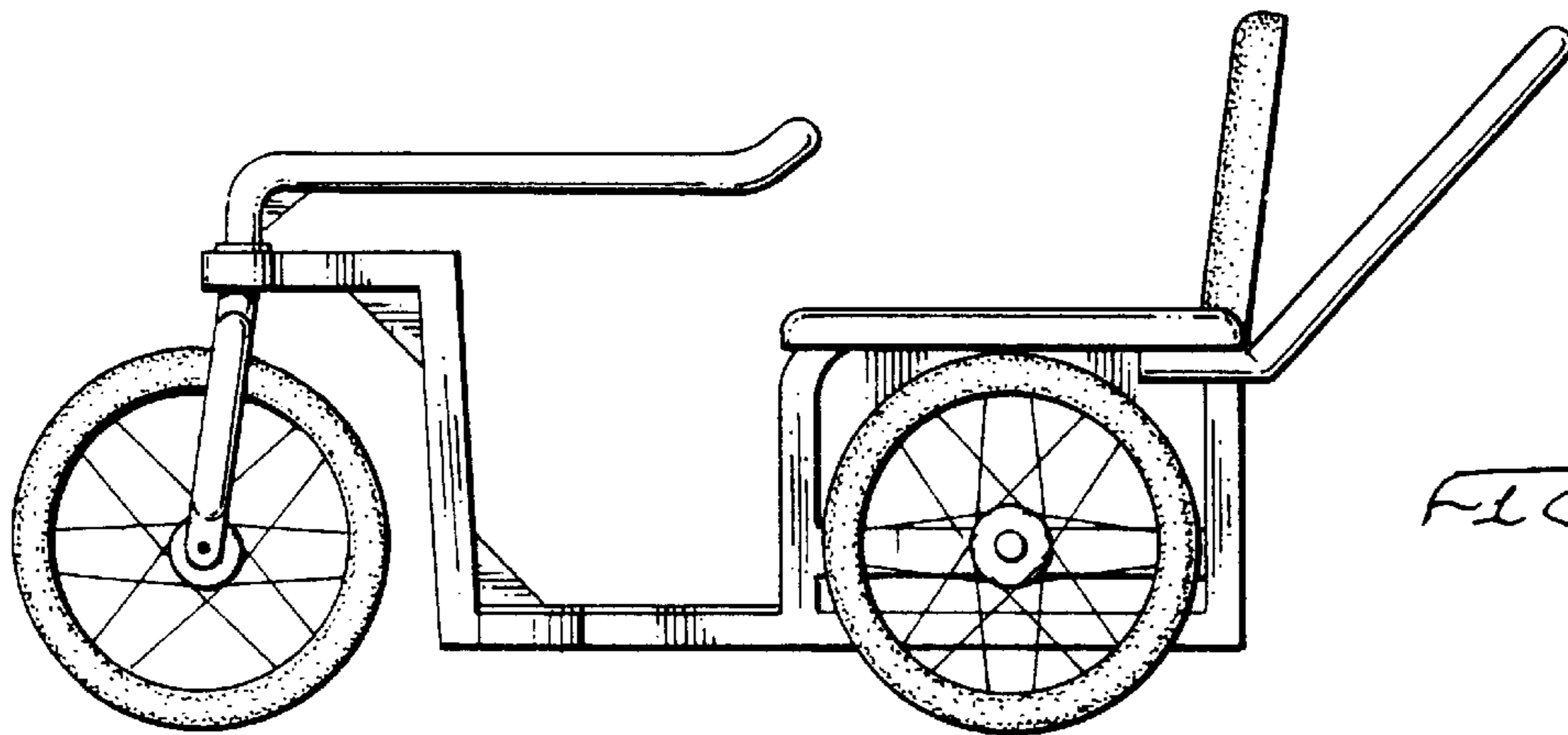


FIG. 2

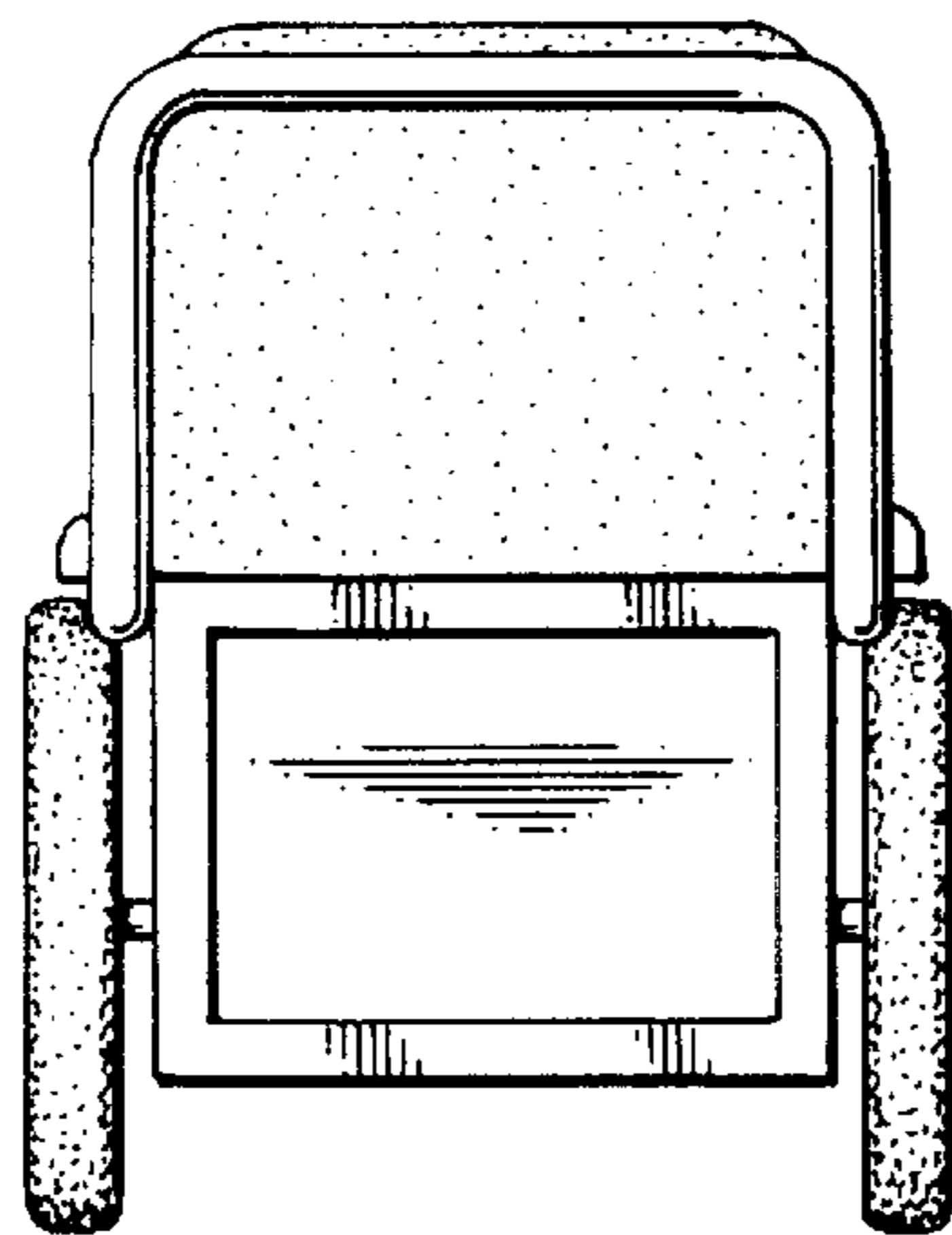


FIG. 3