



US00D481974S

(12) **United States Design Patent**
Evans

(10) **Patent No.:** **US D481,974 S**

(45) **Date of Patent:** **** Nov. 11, 2003**

(54) **BICYCLE PEDAL COVER**

(76) Inventor: **Ronald R. Evans**, P.O. Box 1136, Lake Sherwood, MO (US) 63357

(**) Term: **14 Years**

(21) Appl. No.: **29/157,021**

(22) Filed: **Mar. 12, 2002**

(51) **LOC (7) Cl.** **12-11**

(52) **U.S. Cl.** **D12/125**

(58) **Field of Search** D12/111, 125,
D12/126; 74/560-564, 594.4, 594.6

(56) **References Cited**

U.S. PATENT DOCUMENTS

1,370,730 A * 3/1921 Carver 74/563

3,859,867 A * 1/1975 Haines et al. 74/563

4,942,778 A * 7/1990 Bryne 74/594.6

* cited by examiner

Primary Examiner—Alan P. Douglas

Assistant Examiner—Linda Brooks

(74) *Attorney, Agent, or Firm*—Grace J. Fishel

(57) **CLAIM**

The ornamental design for a bicycle pedal cover, as shown and described.

DESCRIPTION

FIG. 1 is a perspective view of a bicycle pedal cover showing my new design in use;

FIG. 2 is a perspective view thereof;

FIG. 3 is a front view thereof as viewed in FIG. 2, the rear side being a mirror image;

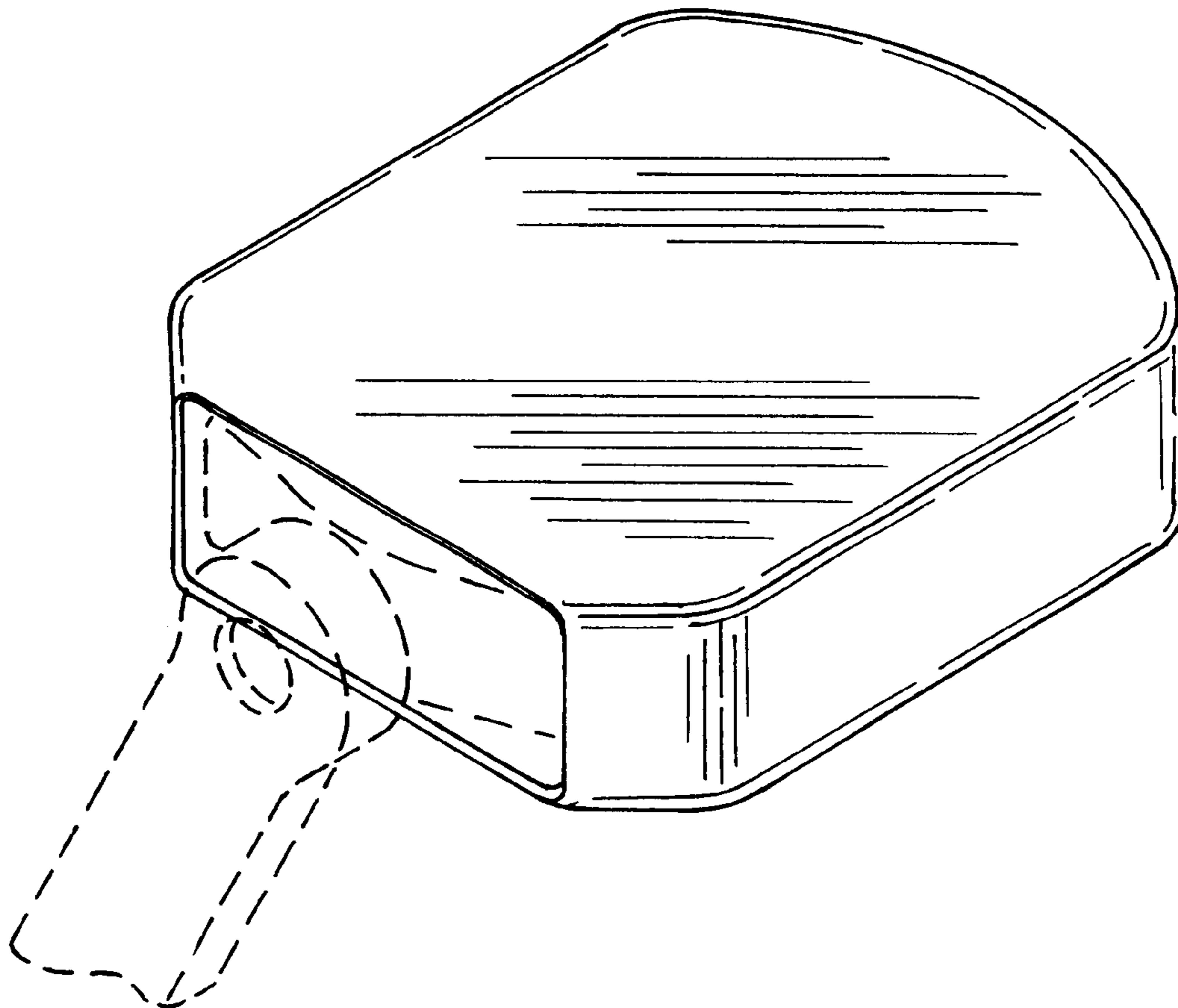
FIG. 4 is a right side view thereof;

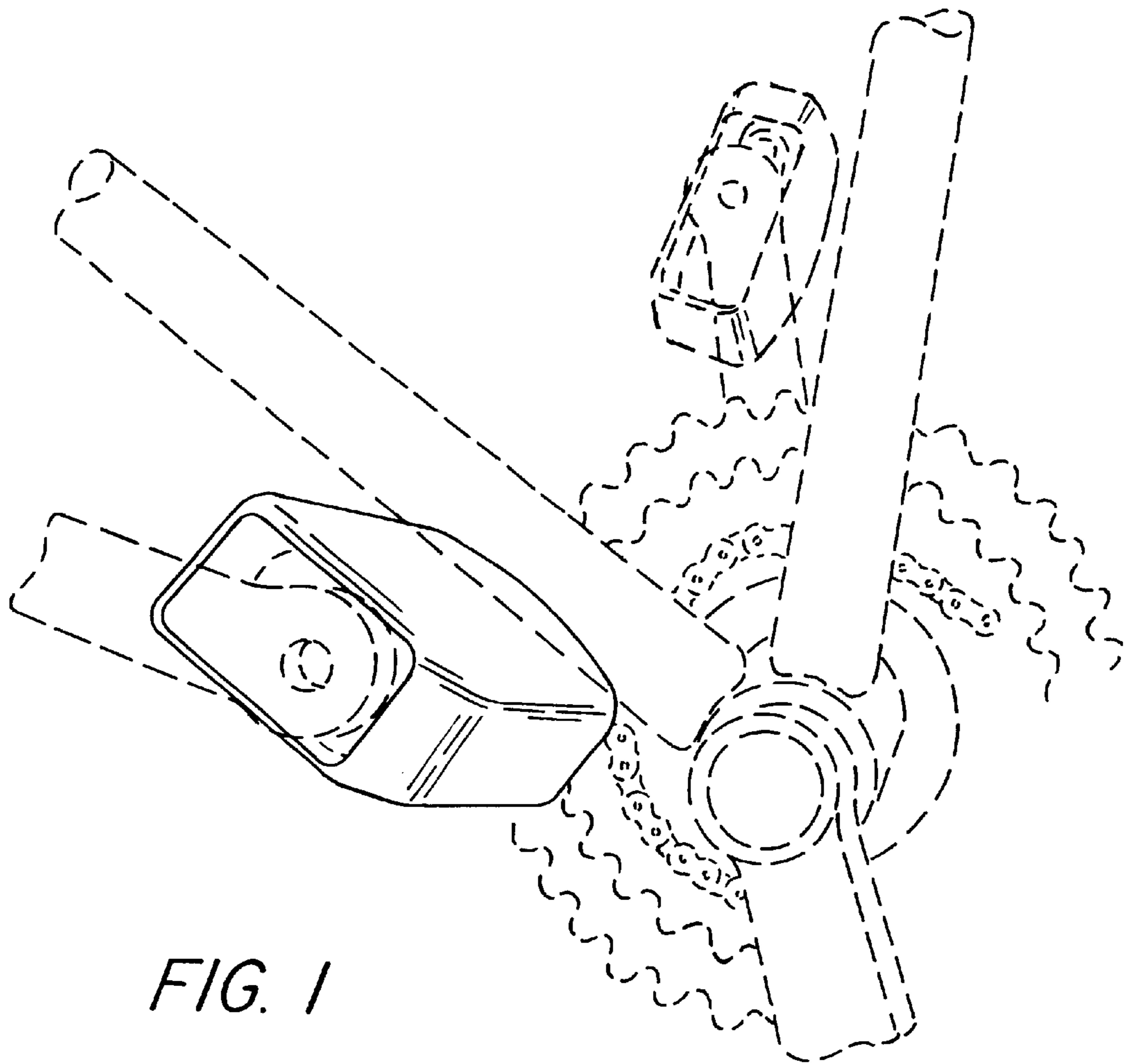
FIG. 5 is a left side view thereof; and,

FIG. 6 is a top view thereof, the bottom being a mirror image.

The second pedal cover bicycle and pedals shown in broken lines in FIGS. 1 and 2 denote the nature and environmental use of the design and are not part of the design.

1 Claim, 2 Drawing Sheets





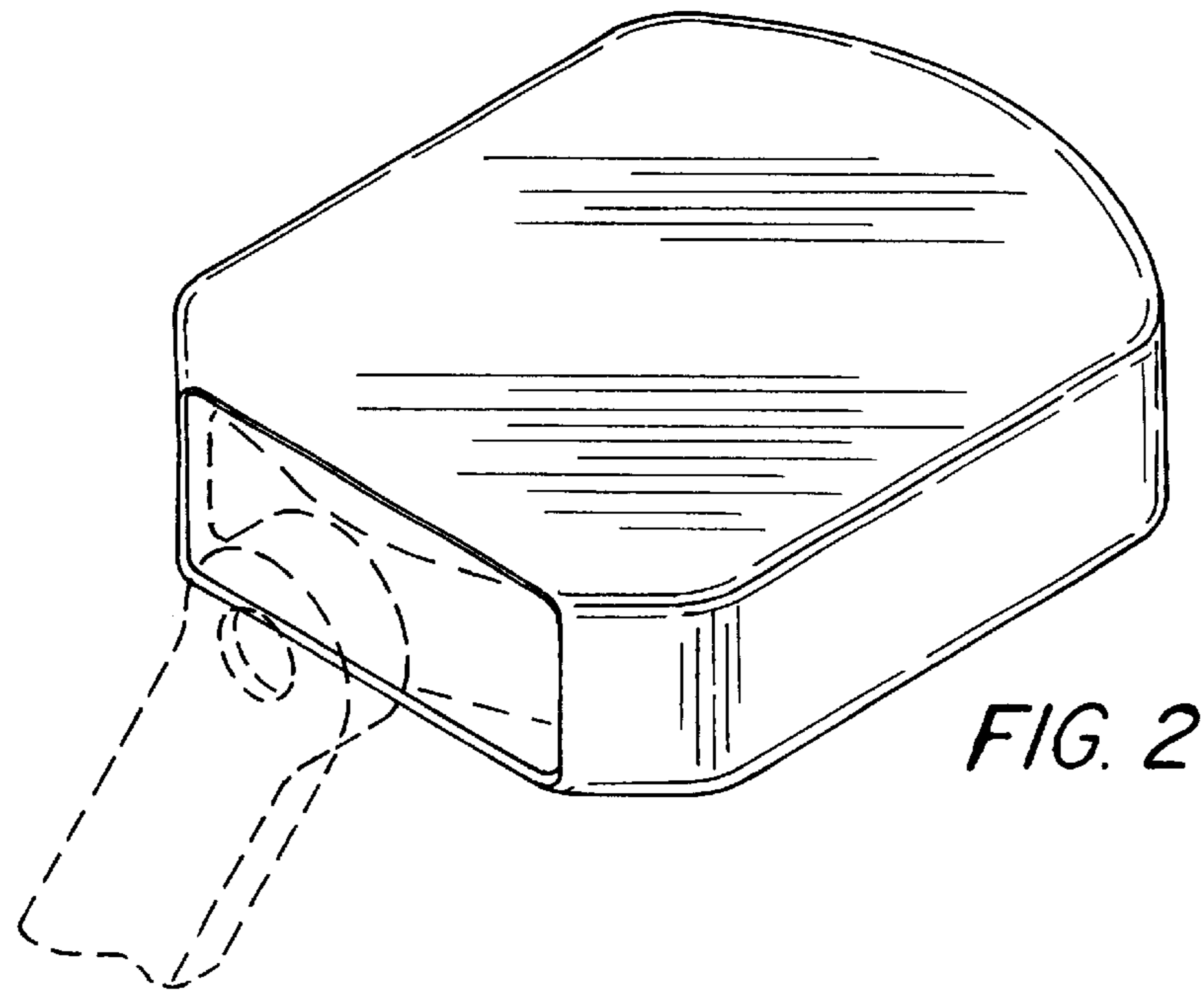


FIG. 2

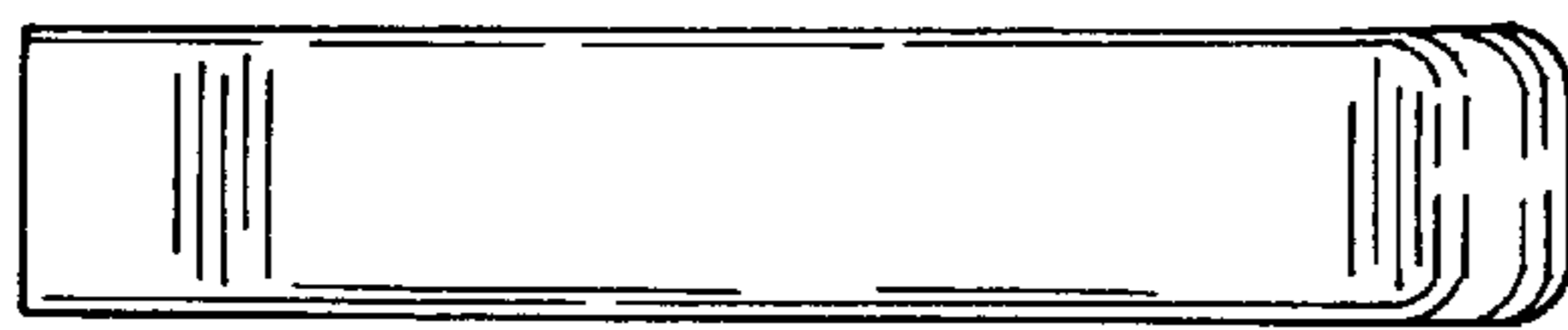


FIG. 3

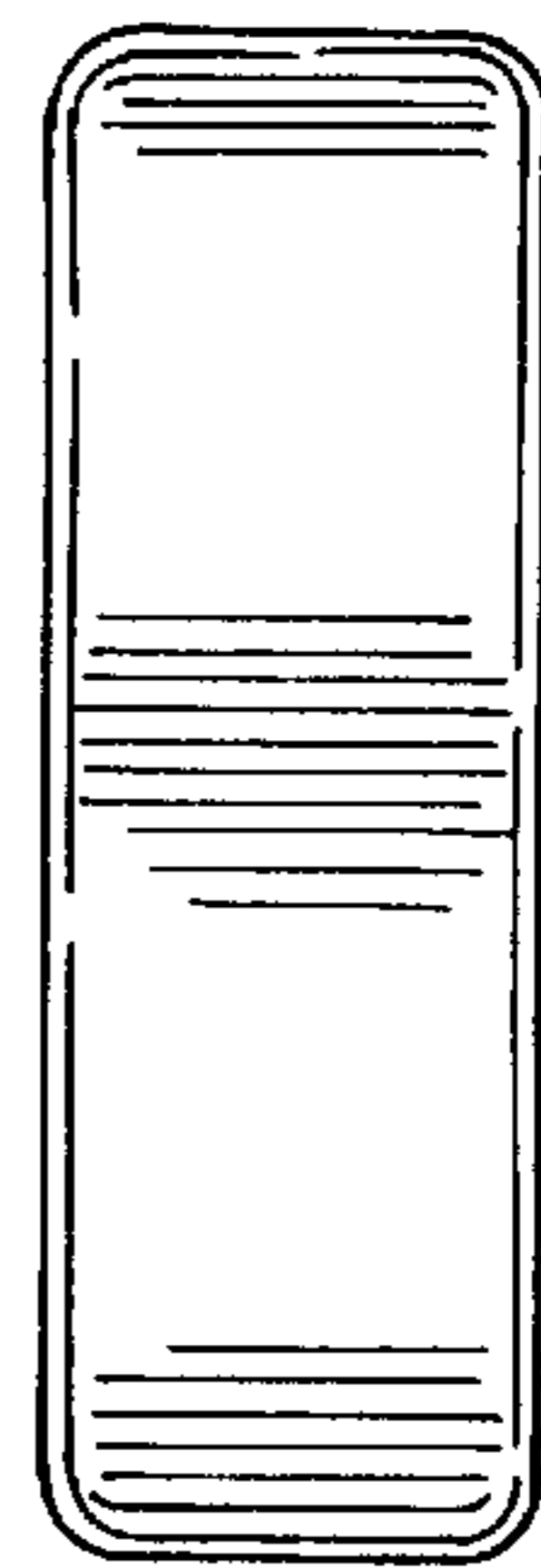


FIG. 4

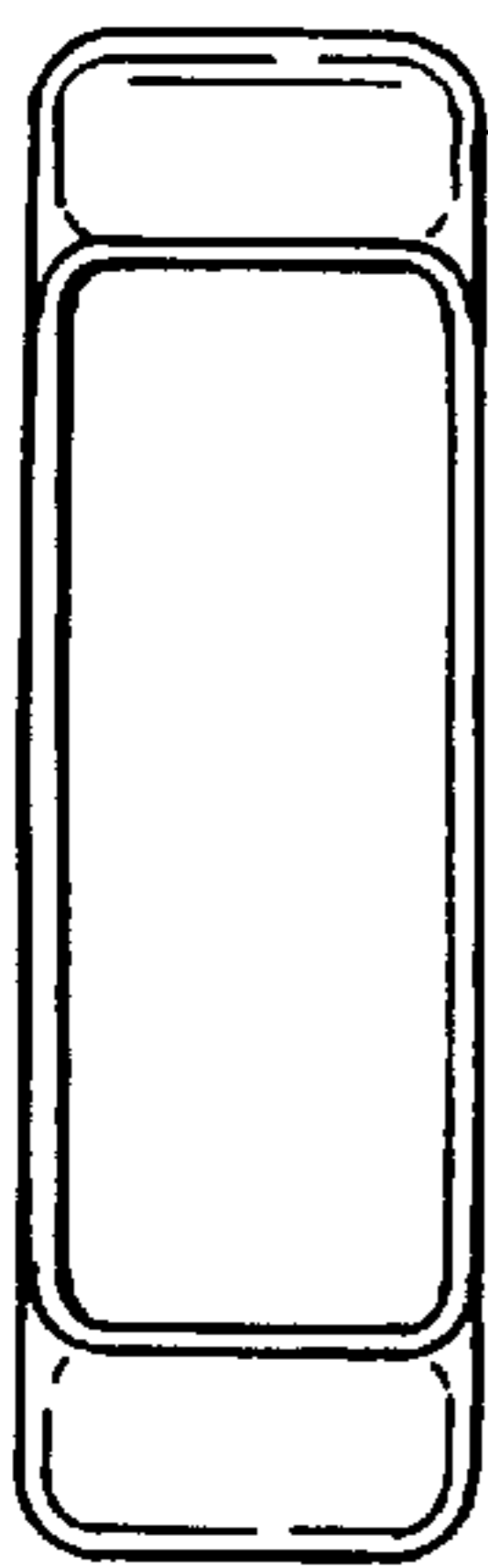


FIG. 5

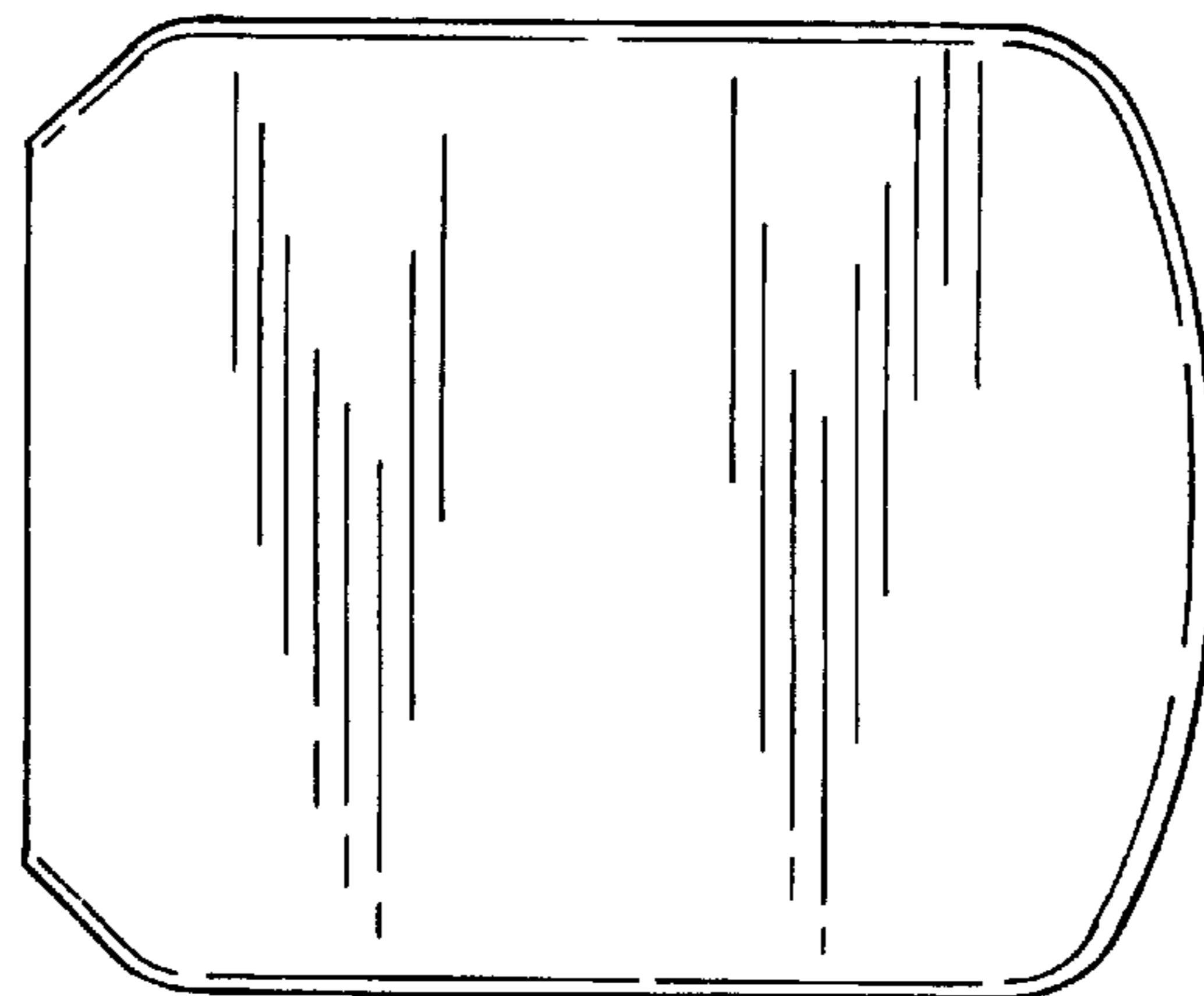


FIG. 6