



US00D481971S

(12) **United States Design Patent**  
**Hartelius et al.**

(10) **Patent No.:** **US D481,971 S**

(45) **Date of Patent:** **\*\* Nov. 11, 2003**

(54) **PLANTER FOR STEPS**

D371,089 S \* 6/1996 Yeung ..... D11/152

\* cited by examiner

(76) Inventors: **Mark E. Hartelius**, 8112 Komensky,  
Chicago, IL (US) 60652; **Laura C. Pacheco**, 8112 Komensky, Chicago, IL  
(US) 60652

*Primary Examiner*—Doris V. Coles  
*Assistant Examiner*—Mimosa De  
(74) *Attorney, Agent, or Firm*—Robert W. J. Usher

(\*\*) Term: **14 Years**

(57) **CLAIM**

The ornamental design for a planter for steps, as shown and described.

(21) Appl. No.: **29/176,389**

(22) Filed: **Feb. 21, 2003**

**DESCRIPTION**

(51) **LOC (7) Cl.** ..... **11-02**

(52) **U.S. Cl.** ..... **D11/143**

(58) **Field of Search** ..... D11/143, 144,  
D11/152-154, 156; 47/65.5, 66.3, 66.5,  
66.6, 68, 85, 86, 87; 248/27.8; 206/423

FIG. 1 is a top front and left side perspective view of a first embodiment of a planter for steps showing my new design; FIG. 2 is a top plan view thereof; FIG. 3 is a front view thereof; FIG. 4 is a left side view thereof; FIG. 5 is a right side view thereof; FIG. 6 is a rear view thereof; and, FIG. 7 is a top plan view of a second embodiment, the front, left side, right side and rear views are mirror images of corresponding sides of the first embodiment.

(56) **References Cited**

**U.S. PATENT DOCUMENTS**

- 1,484,403 A \* 2/1924 Miller ..... 47/67
- 4,658,541 A \* 4/1987 Haile ..... 47/83
- D316,835 S \* 5/1991 Ginsberg ..... D11/143
- D355,791 S \* 2/1995 Briley ..... D11/143

The broken lines shown in FIG. 1 form no part of the claimed design and are for environmental purposes only.

**1 Claim, 3 Drawing Sheets**

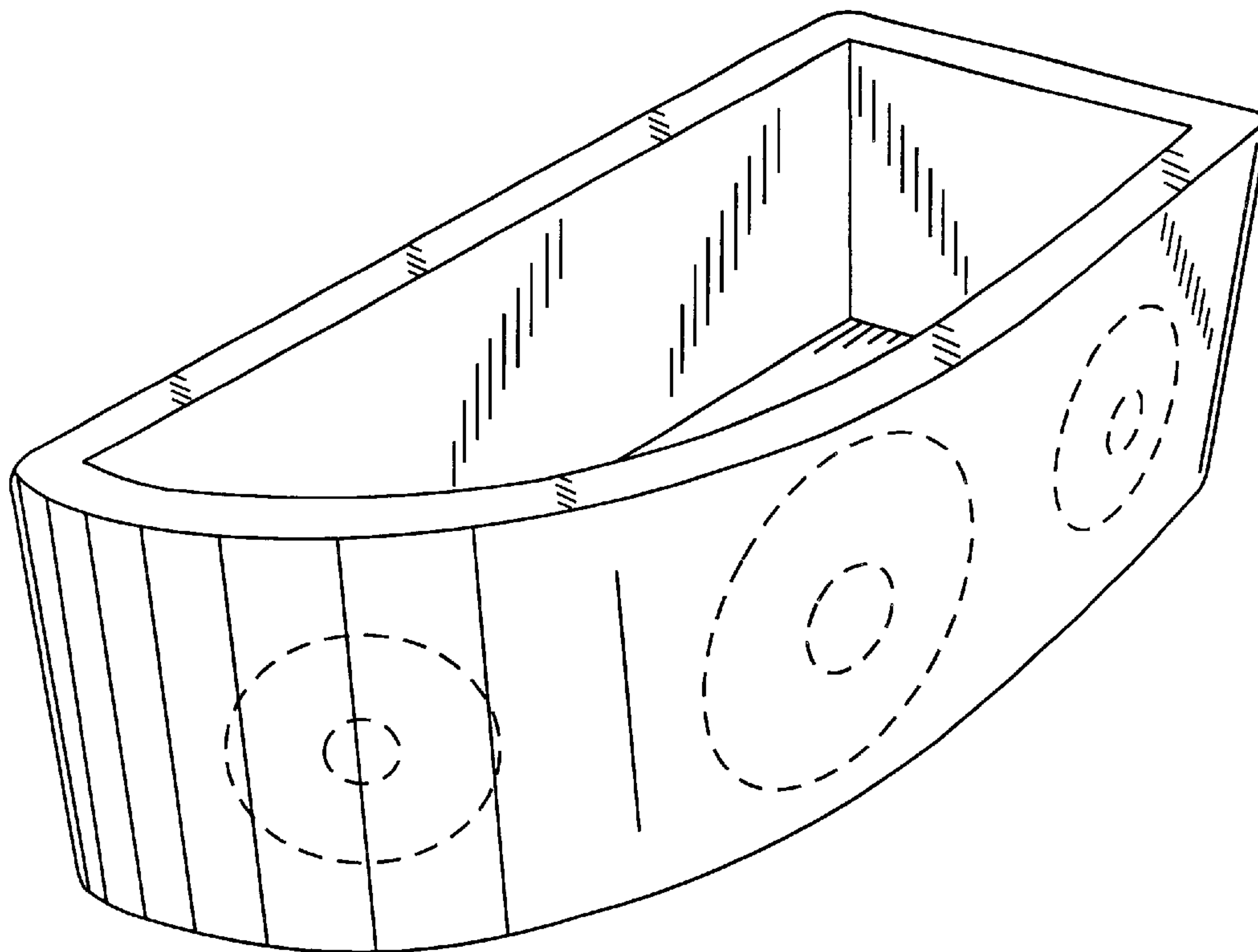


FIG. 1

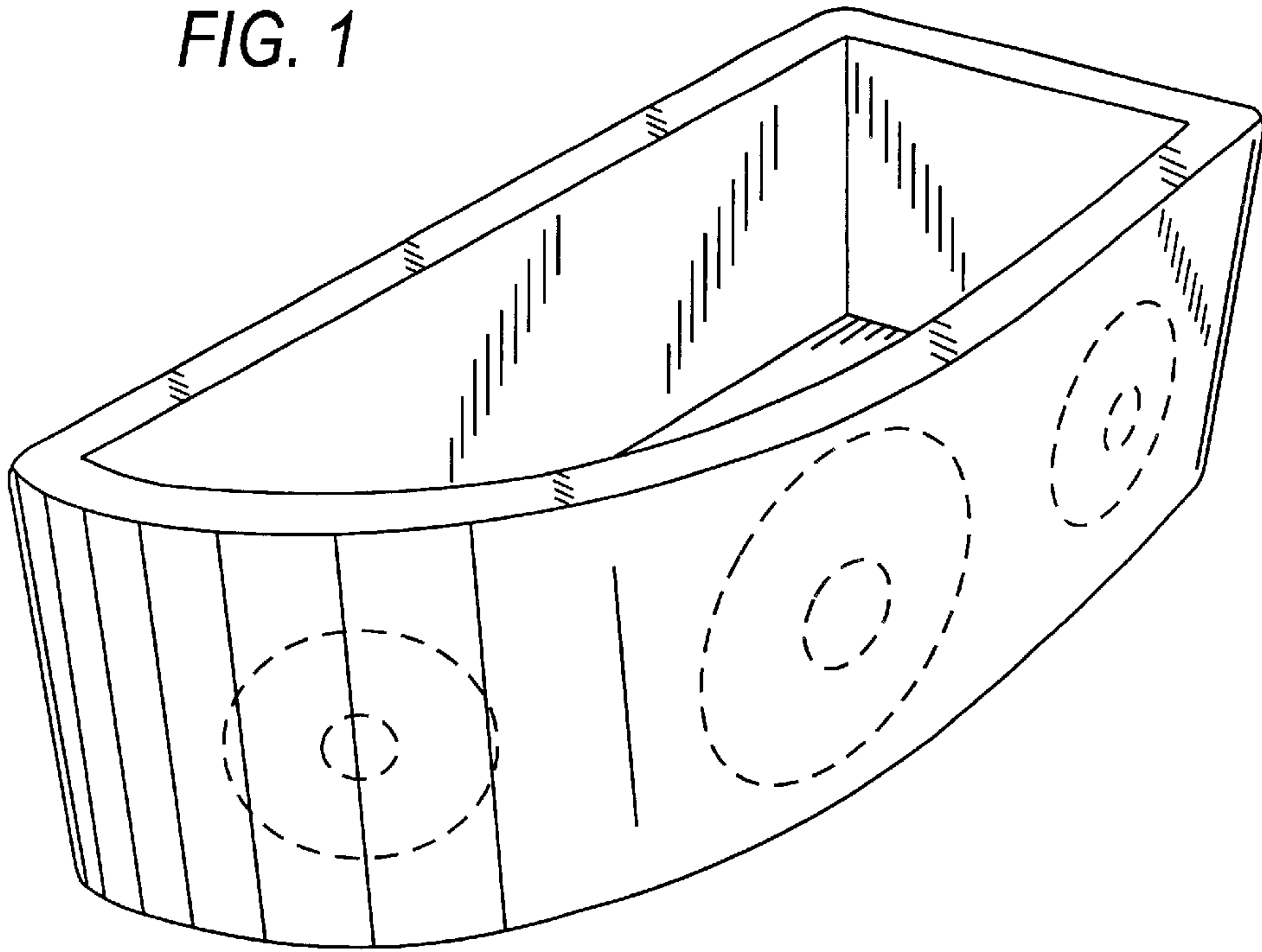


FIG. 2

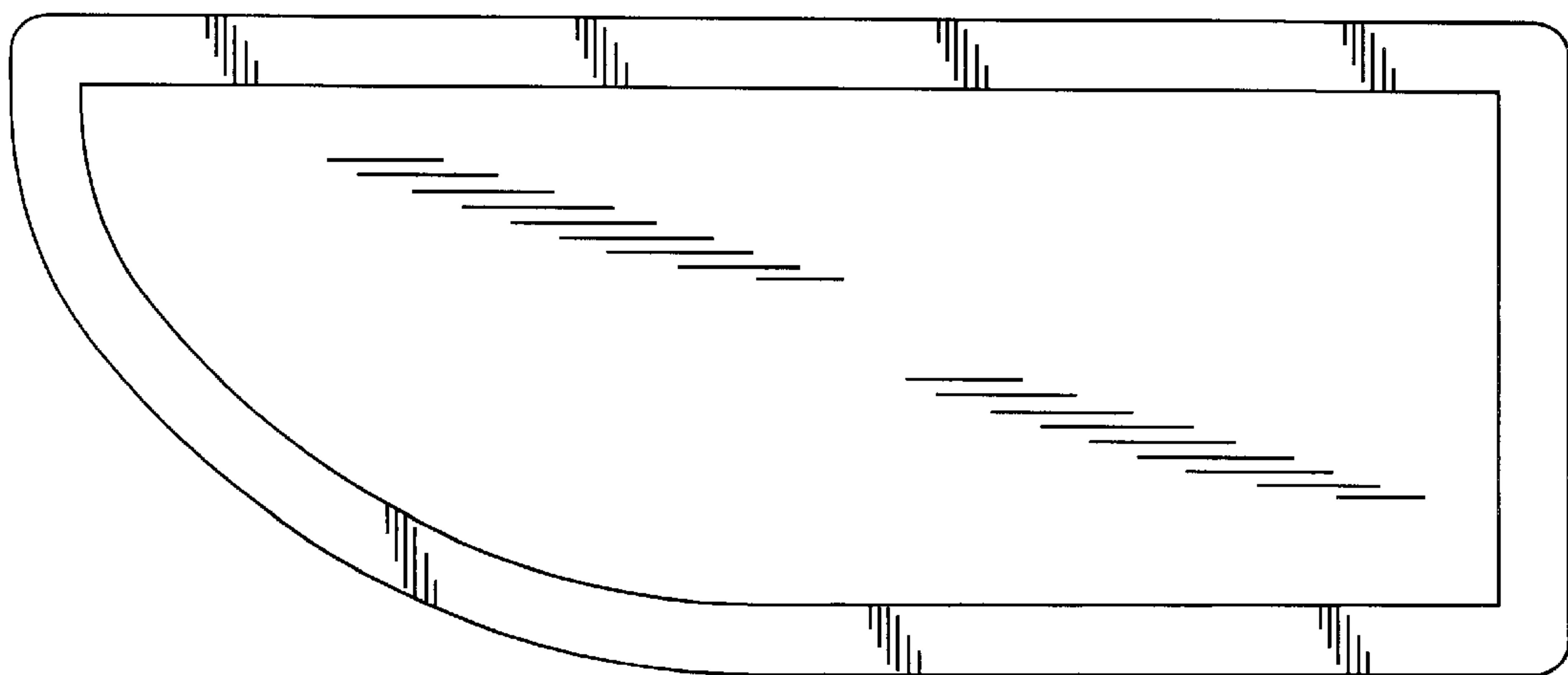


FIG. 3

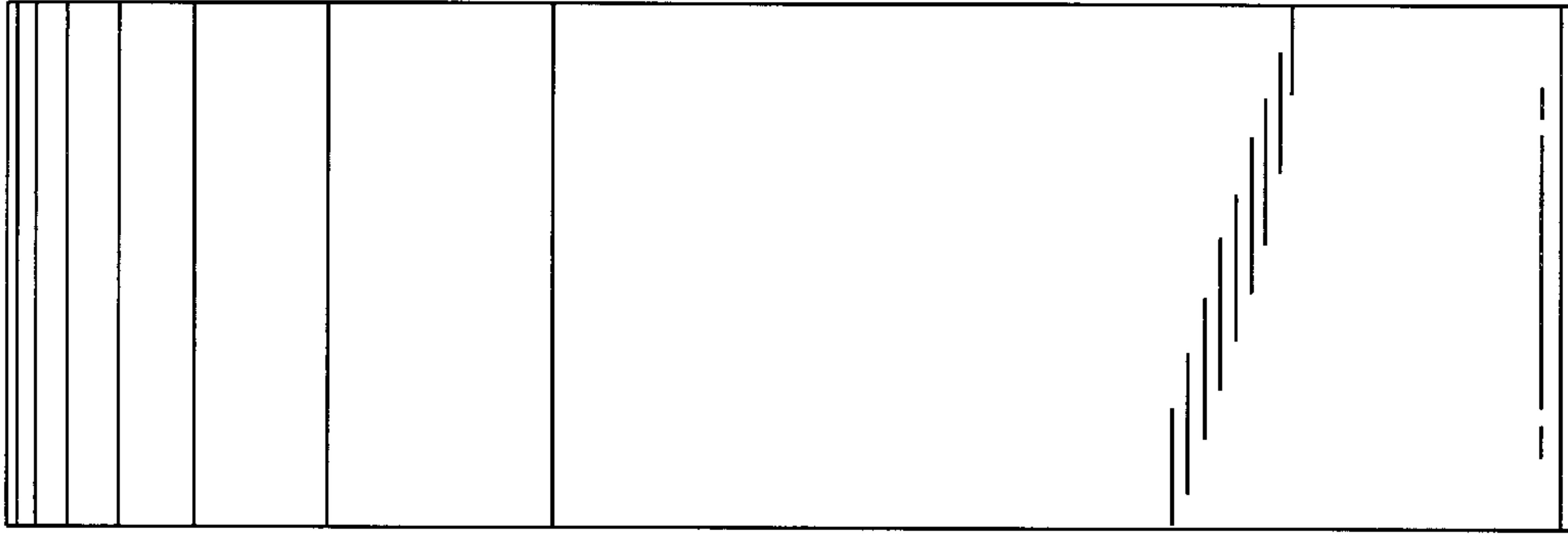


FIG. 4

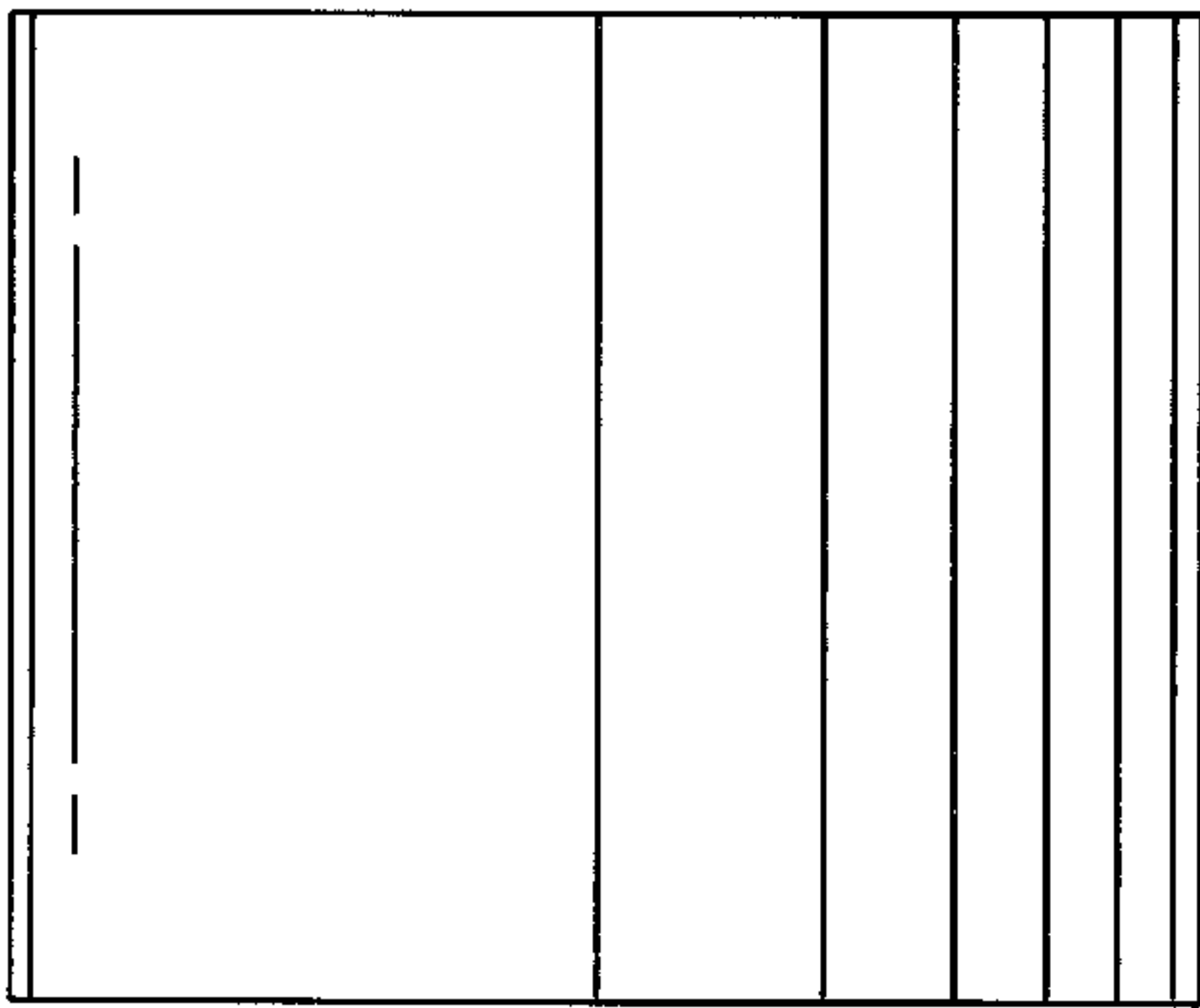


FIG. 5

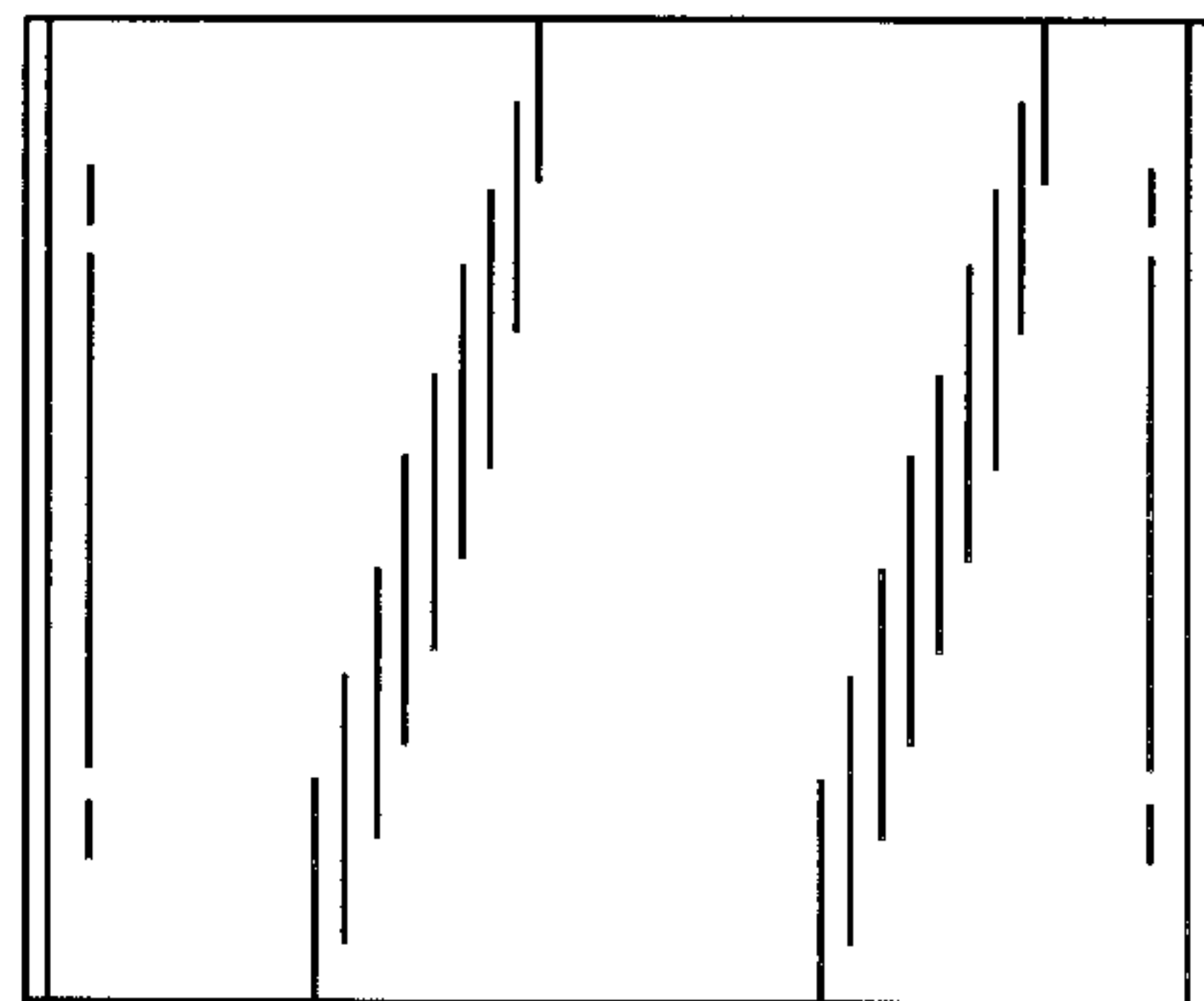


FIG. 6

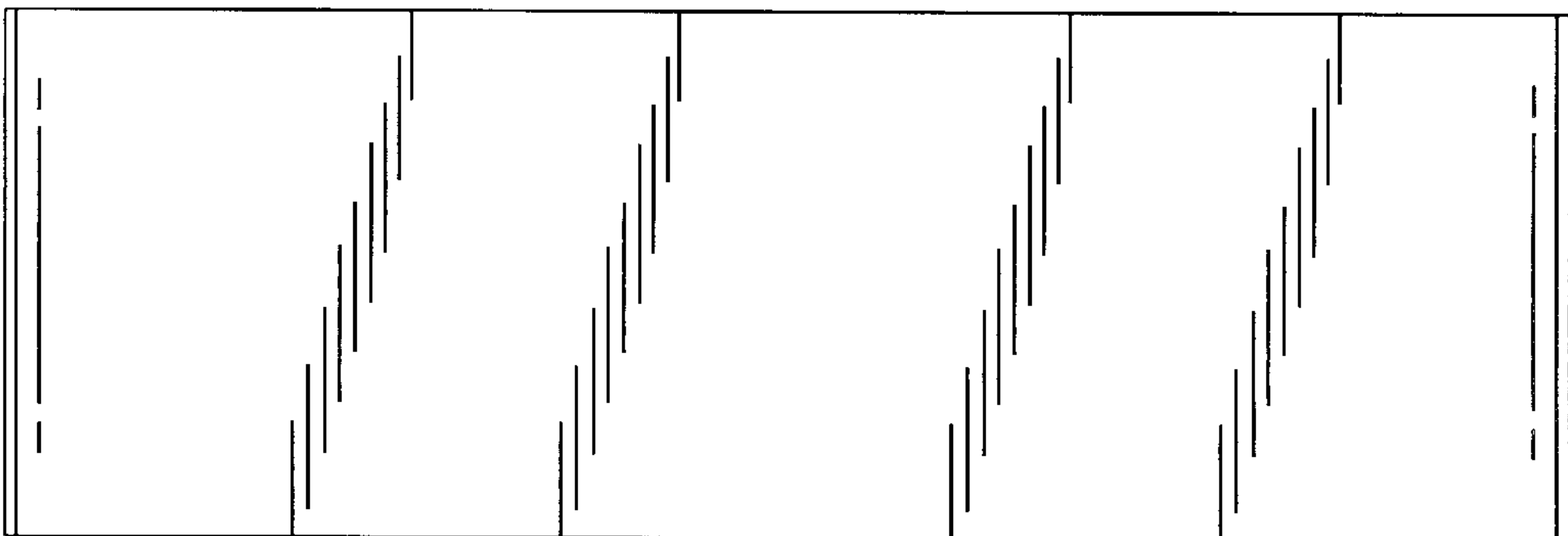


FIG. 7

