



US00D481967S

(12) **United States Design Patent**  
**Cohen**

(10) **Patent No.:** **US D481,967 S**

(45) **Date of Patent:** **\*\* Nov. 11, 2003**

(54) **GRID FOR WATCH CASE**

(75) **Inventor:** **Raphäel M. Cohen**, Coligny (CH)

(73) **Assignee:** **Time Max S.A.**, Geneva (CH)

(\*\*) **Term:** **14 Years**

(21) **Appl. No.:** **29/173,403**

(22) **Filed:** **Dec. 30, 2002**

(30) **Foreign Application Priority Data**

Jul. 1, 2002 (WO) ..... DMA/005 772

(51) **LOC (7) Cl.** ..... **10-02**

(52) **U.S. Cl.** ..... **D10/132; D10/128**

(58) **Field of Search** ..... **D10/128, 132,**  
**D10/122-127, 129-131**

(56) **References Cited**

**U.S. PATENT DOCUMENTS**

1,199,256 A \* 9/1916 Farr ..... 368/286  
D51,182 S \* 8/1917 Lederer ..... D10/132  
D51,225 S \* 9/1917 Dean ..... D10/132  
D51,298 S \* 9/1917 Brown ..... D10/132

D52,271 S \* 8/1918 Heimberg ..... D10/132  
D296,994 S \* 8/1988 Lauper ..... D10/39  
D312,980 S \* 12/1990 Kawashima ..... D10/132

**FOREIGN PATENT DOCUMENTS**

WO 057783 \* 10/2001

\* cited by examiner

*Primary Examiner*—Nelson C. Holtje

(74) *Attorney, Agent, or Firm*—Sughrue Mion, PLLC

(57) **CLAIM**

The ornamental design for a grid for watch case, as shown.

**DESCRIPTION**

FIG. 1 is a perspective view of the top and front of a grid for a watch case showing my new design;  
FIG. 2 is a front elevational view thereof;  
FIG. 3 is a right side elevational view thereof;  
FIG. 4 is a left side elevational view thereof;  
FIG. 5 is a rear elevational view thereof;  
FIG. 6 is a top plan view thereof; and,  
FIG. 7 is bottom plan view thereof.

**1 Claim, 2 Drawing Sheets**

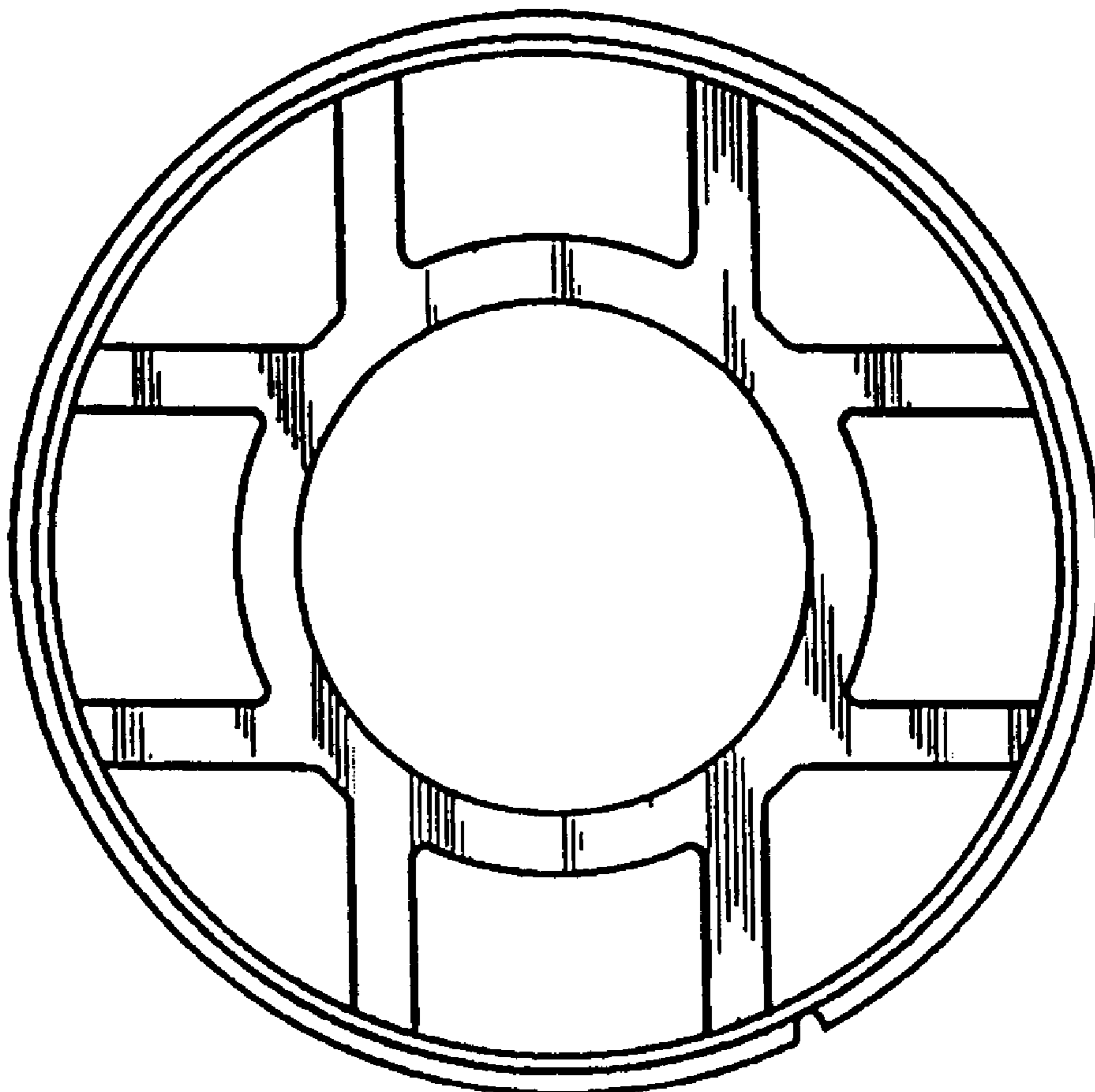


Fig. 1

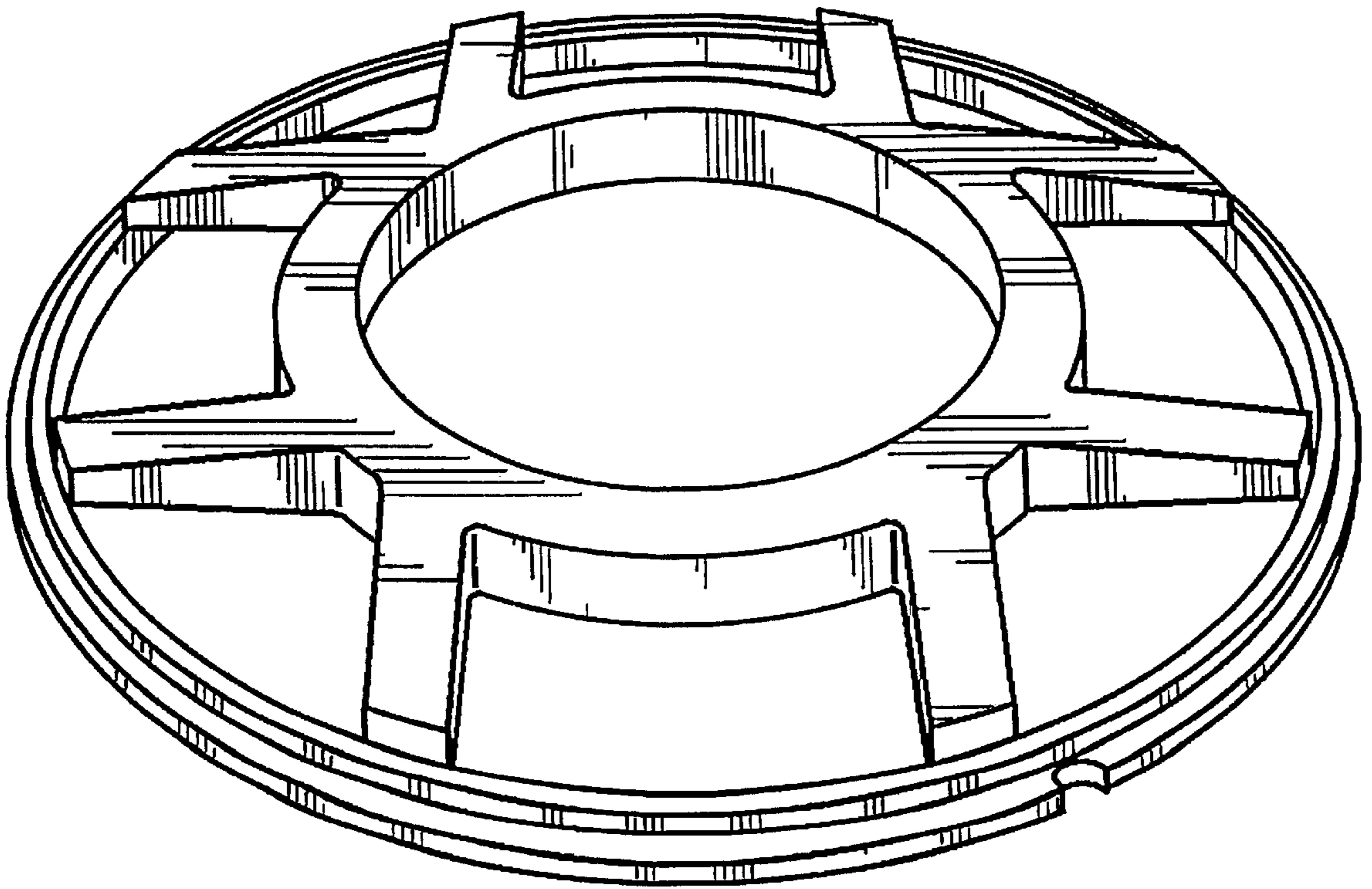


Fig. 7

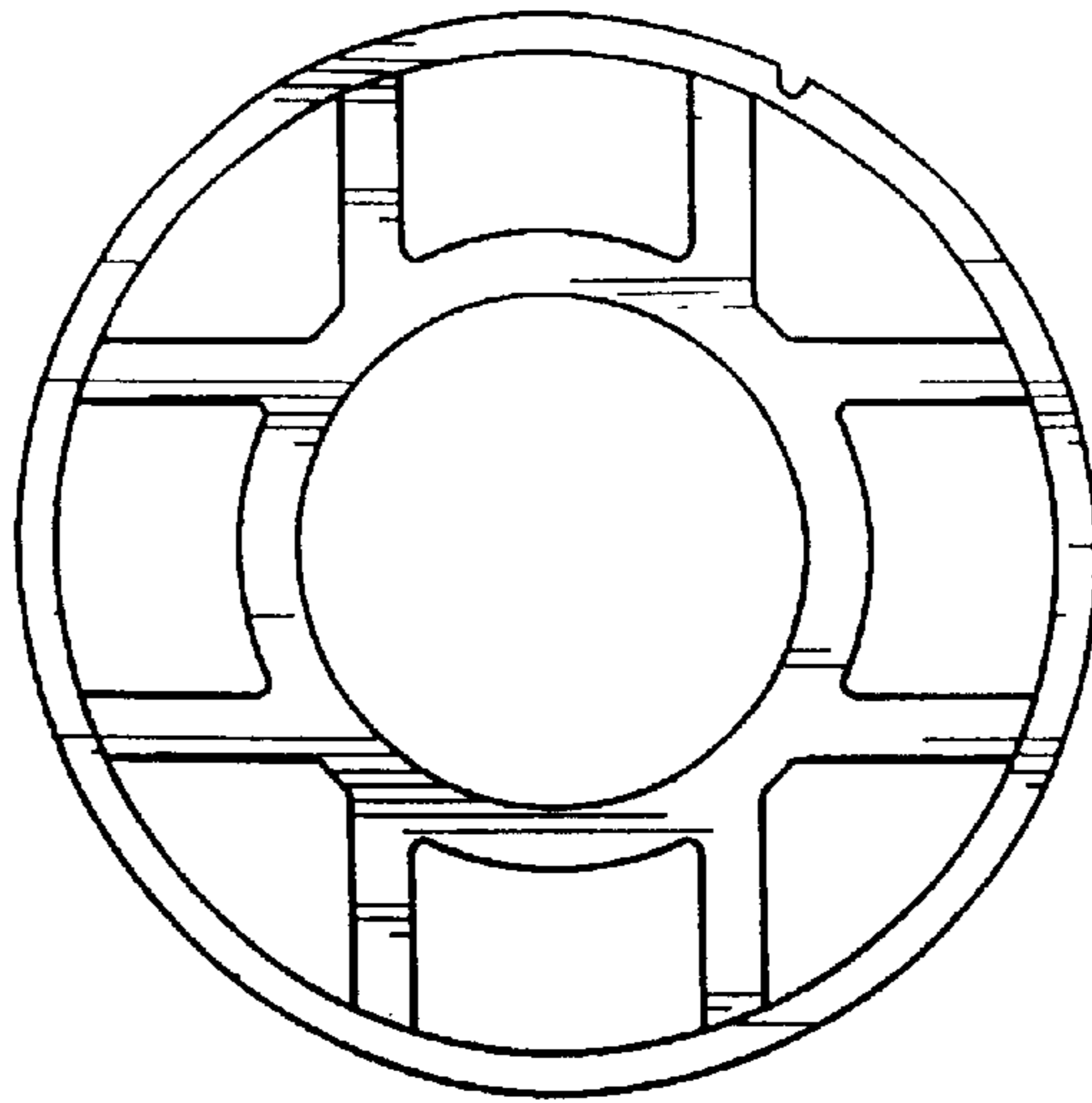


Fig. 2

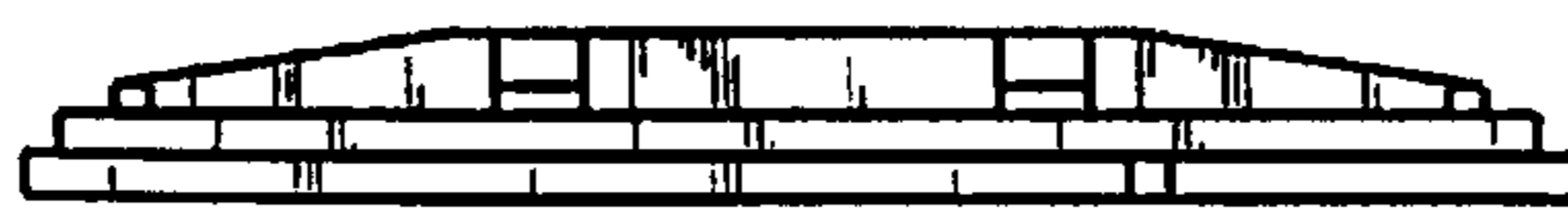


Fig. 3



Fig. 6

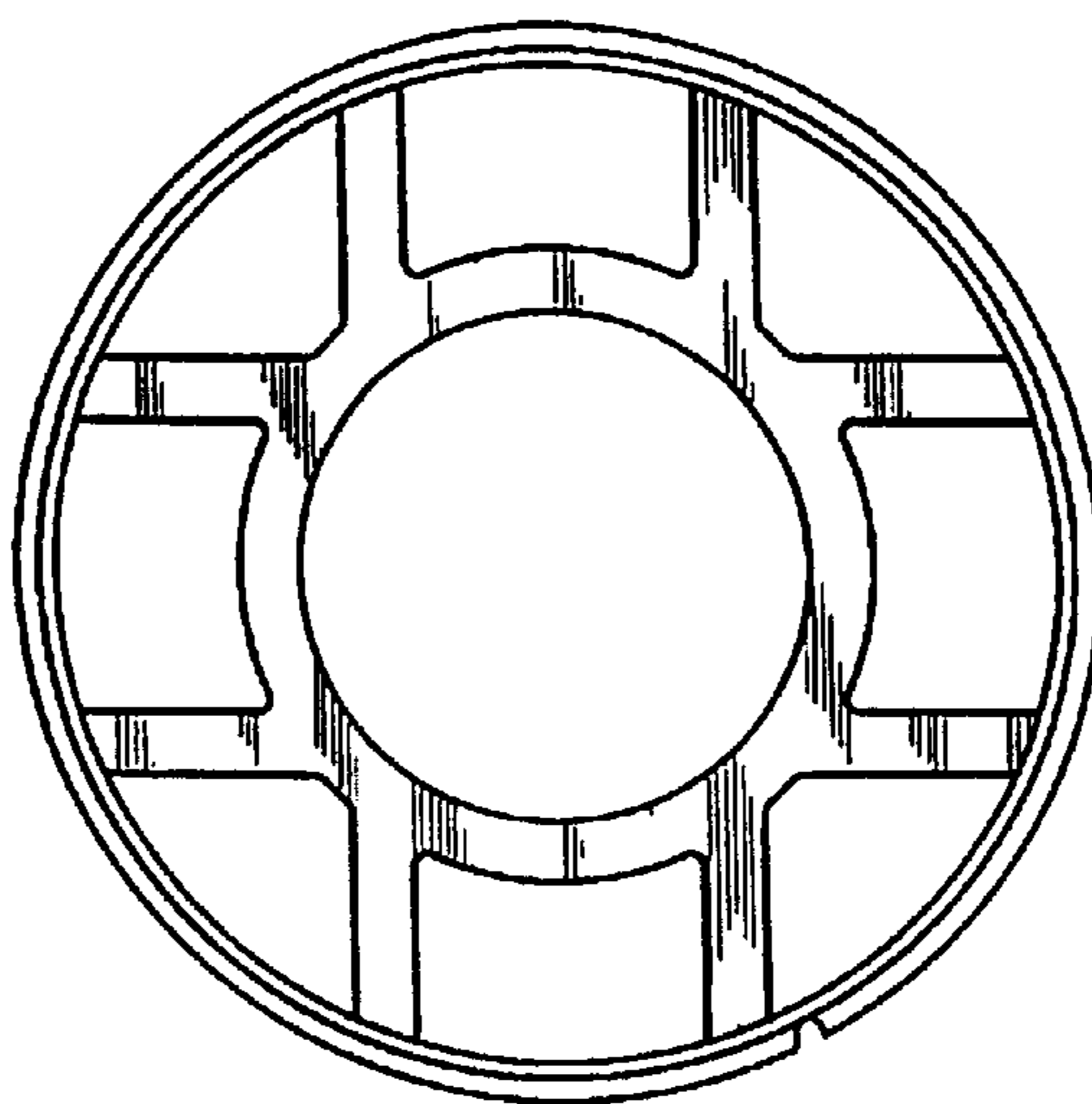


Fig. 4



Fig. 5

