



US00D481963S

(12) **United States Design Patent**  
**Onuma et al.**

(10) **Patent No.:** **US D481,963 S**

(45) **Date of Patent:** **\*\* Nov. 11, 2003**

(54) **DIGITAL MULTI-METER**

(75) Inventors: **Seiji Onuma**, Ueda (JP); **Hideki Tomiyama**, Ueda (JP)

(73) Assignee: **Hioki Denki Kabushiki Kaisha**, Ueda (JP)

(\*\*) Term: **14 Years**

(21) Appl. No.: **29/169,965**

(22) Filed: **Oct. 30, 2002**

(30) **Foreign Application Priority Data**

May 31, 2002 (JP) ..... 2002-014609

(51) **LOC (7) Cl.** ..... **10-04**

(52) **U.S. Cl.** ..... **D10/78**

(58) **Field of Search** ..... D10/78; 324/72.5,  
324/149, 114, 115, 156, 508, 509, 538;  
701/29

(56) **References Cited**

**U.S. PATENT DOCUMENTS**

D288,179 S \* 2/1987 Sekido ..... D10/78  
D289,617 S \* 5/1987 Yajima ..... D10/78

D367,431 S \* 2/1996 Omuro et al. .... D10/78  
D389,419 S \* 1/1998 Beha ..... D10/78  
D460,702 S \* 7/2002 Kaise ..... D10/78

\* cited by examiner

*Primary Examiner*—Antoine Duval Davis

(74) *Attorney, Agent, or Firm*—Kanesaka & Takeuchi

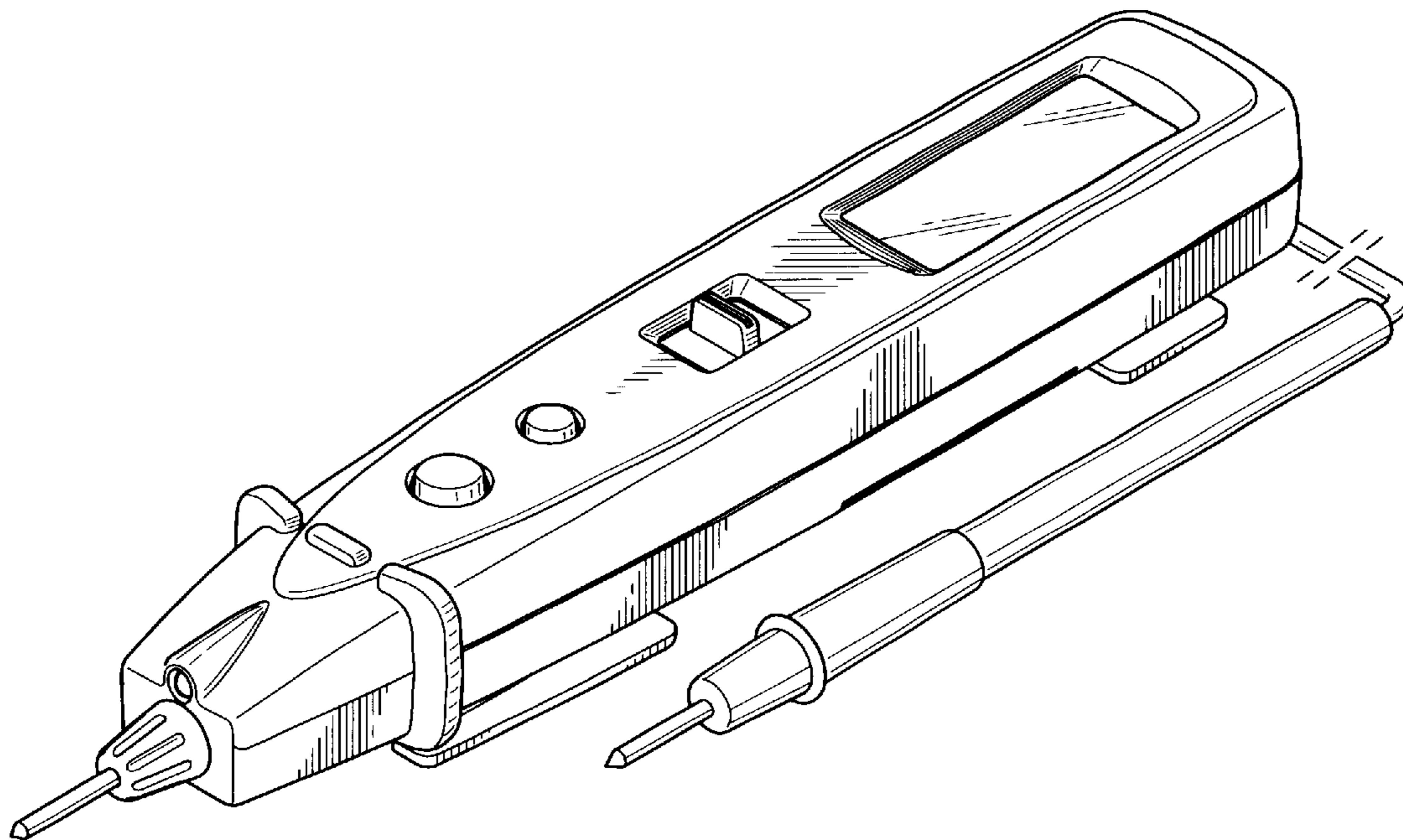
(57) **CLAIM**

The ornamental design for a digital multi-meter, as shown and described.

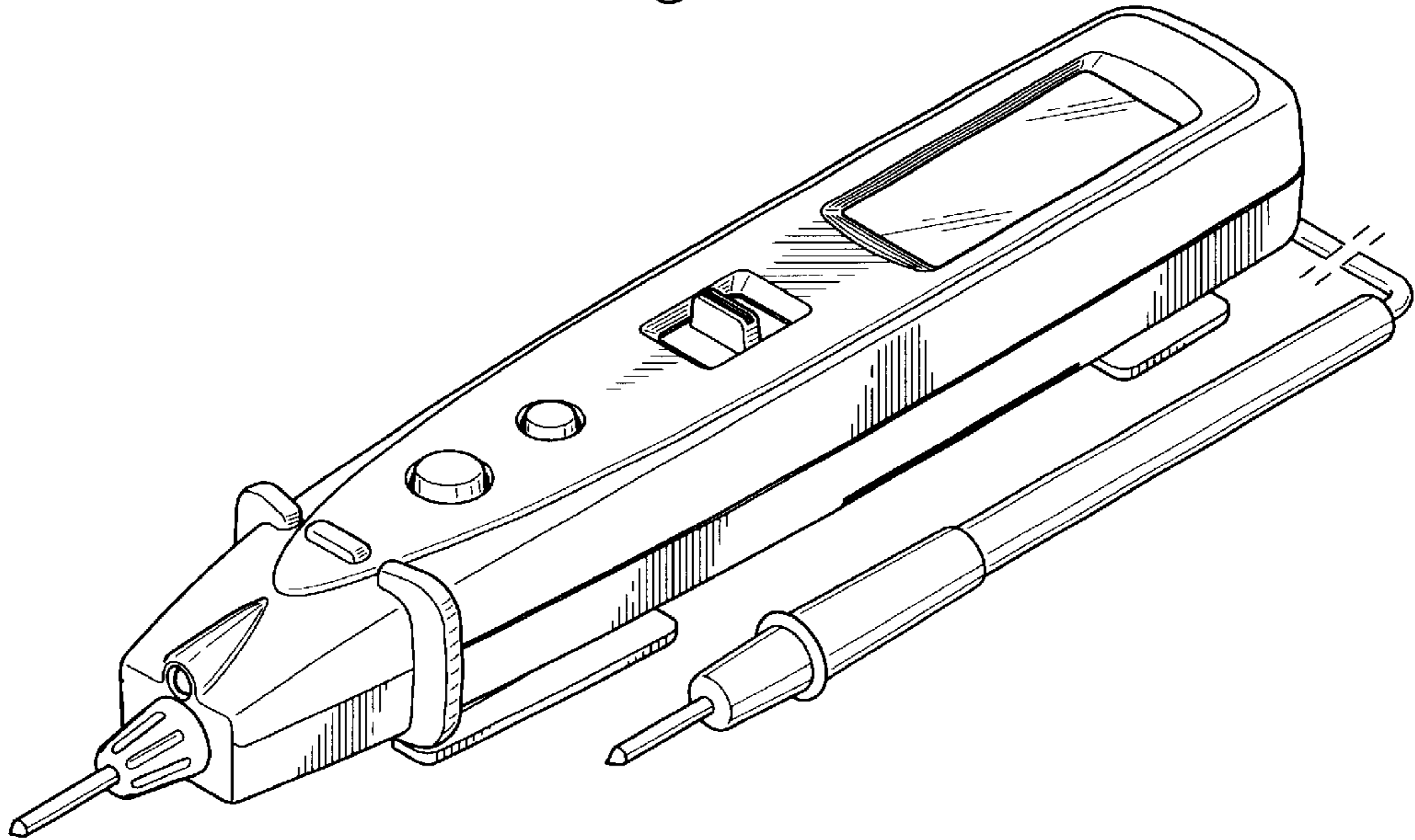
**DESCRIPTION**

FIG. 1 is a perspective view of a digital multi-meter showing our new design;  
FIG. 2 is a rear side perspective view with a probe accommodated in the rear panel;  
FIG. 3 is a front view thereof;  
FIG. 4 is a rear view thereof;  
FIG. 5 is a left side view thereof;  
FIG. 6 is a right side view thereof;  
FIG. 7 is a front view with all the display elements on the panel being on;  
FIG. 8 is a top plan view thereof; and,  
FIG. 9 is a bottom view thereof.

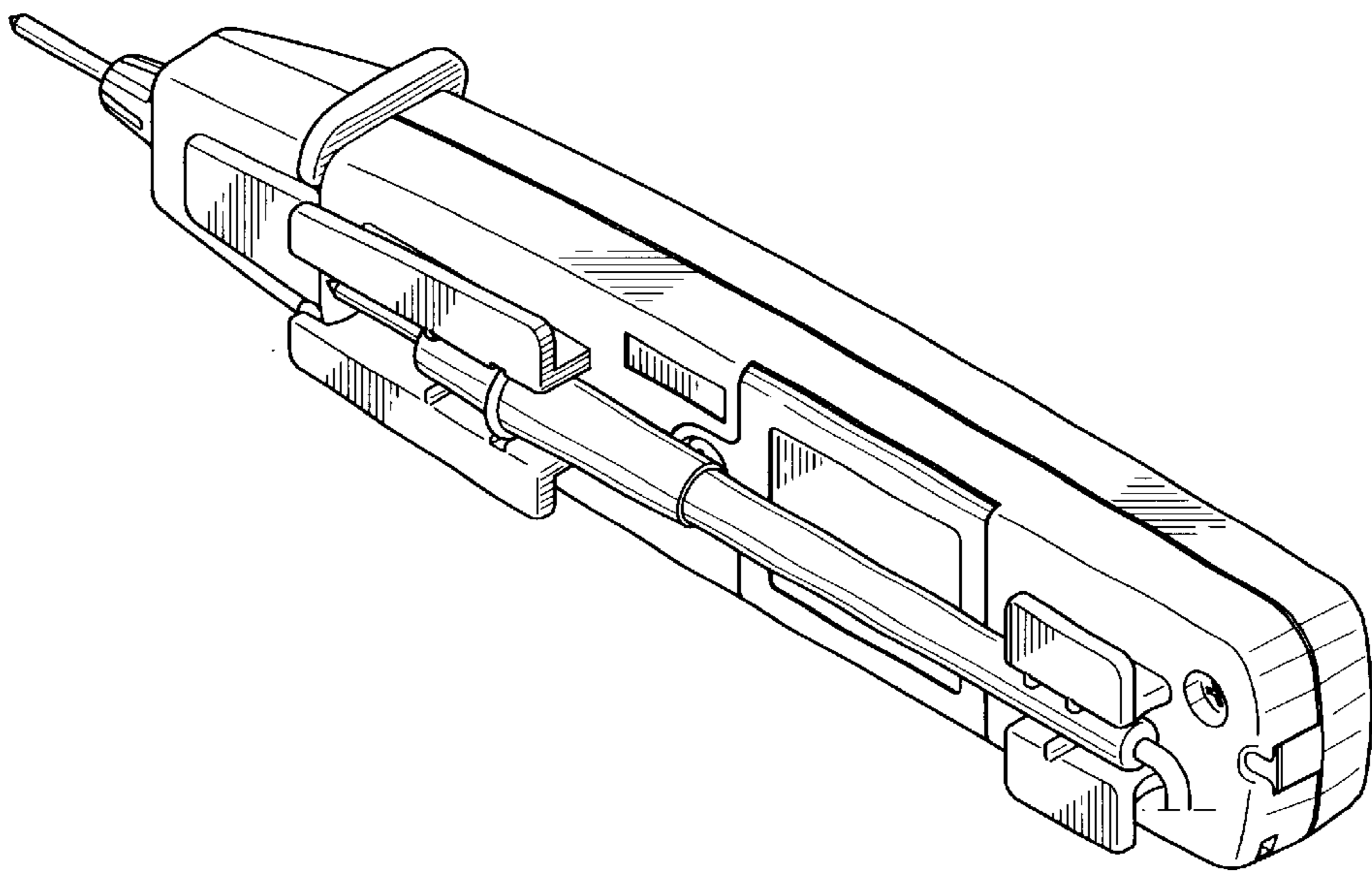
**1 Claim, 4 Drawing Sheets**



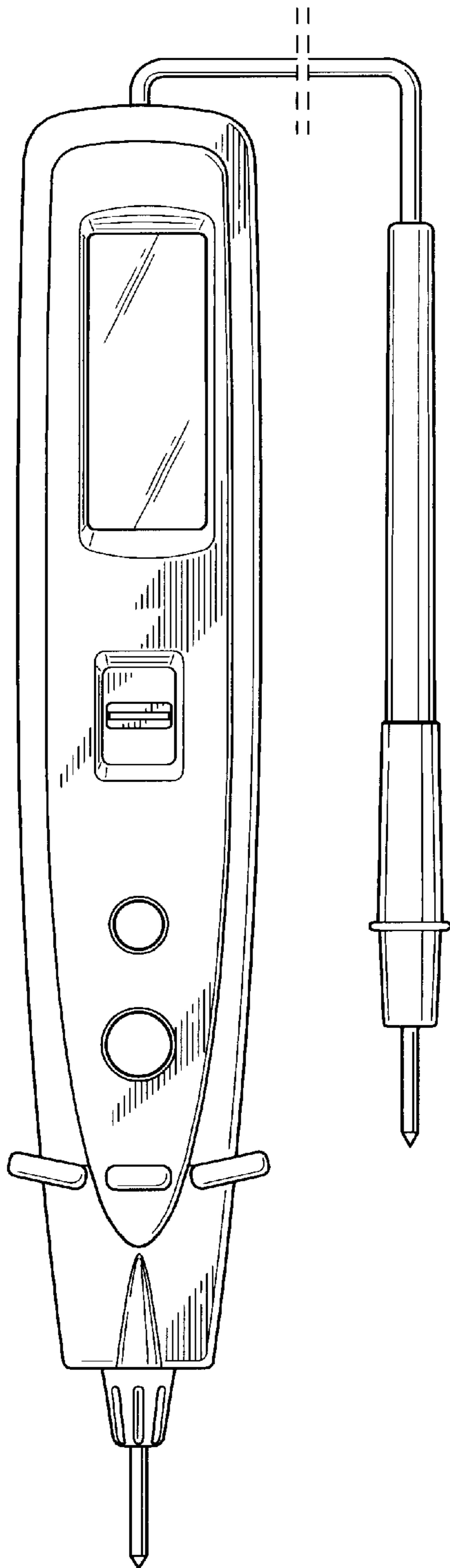
*Fig. 1*



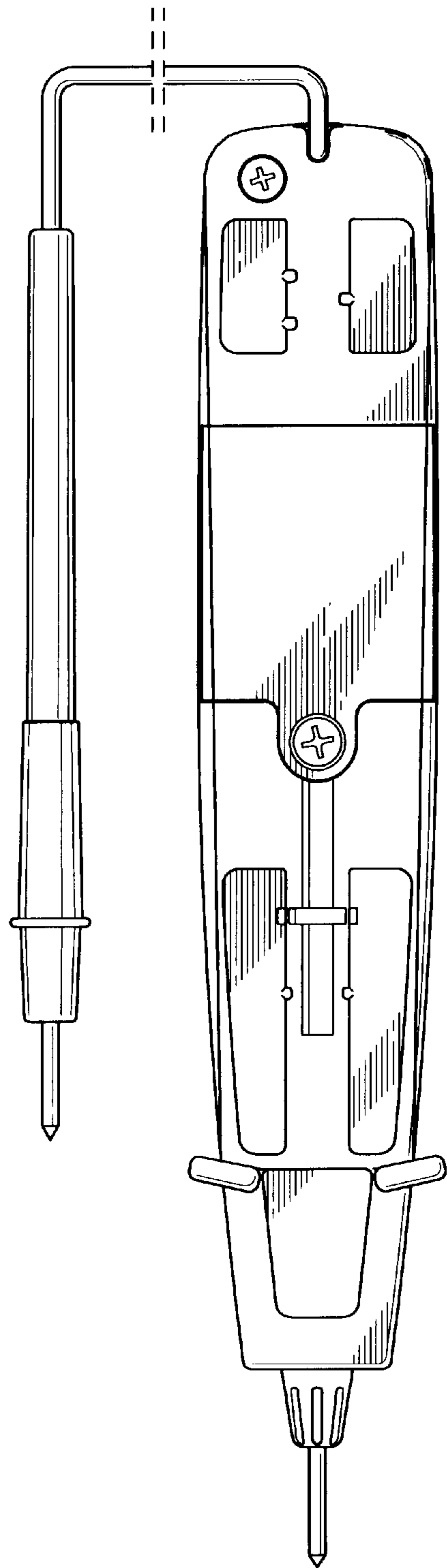
*Fig. 2*



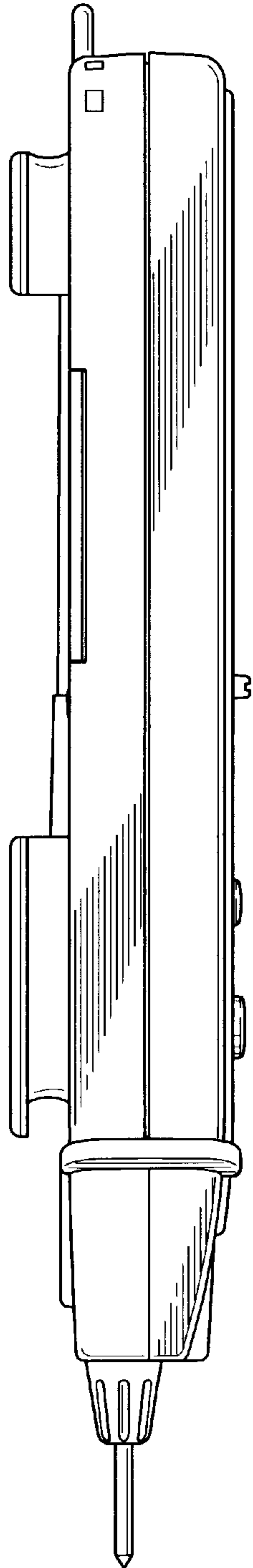
*Fig. 3*



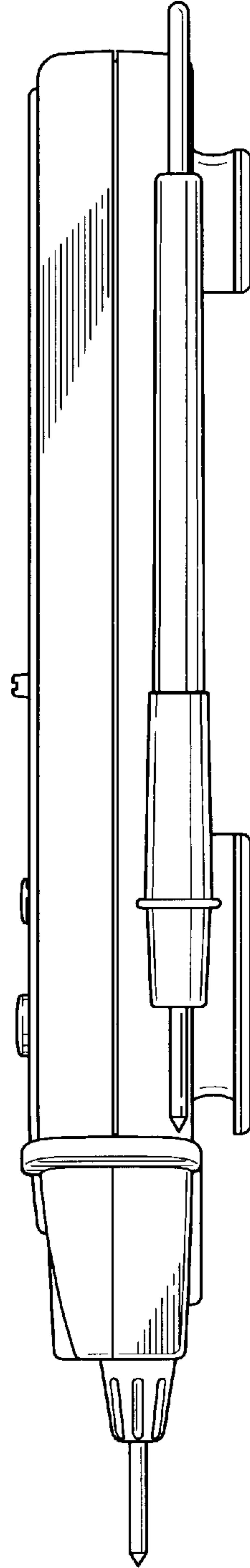
*Fig. 4*



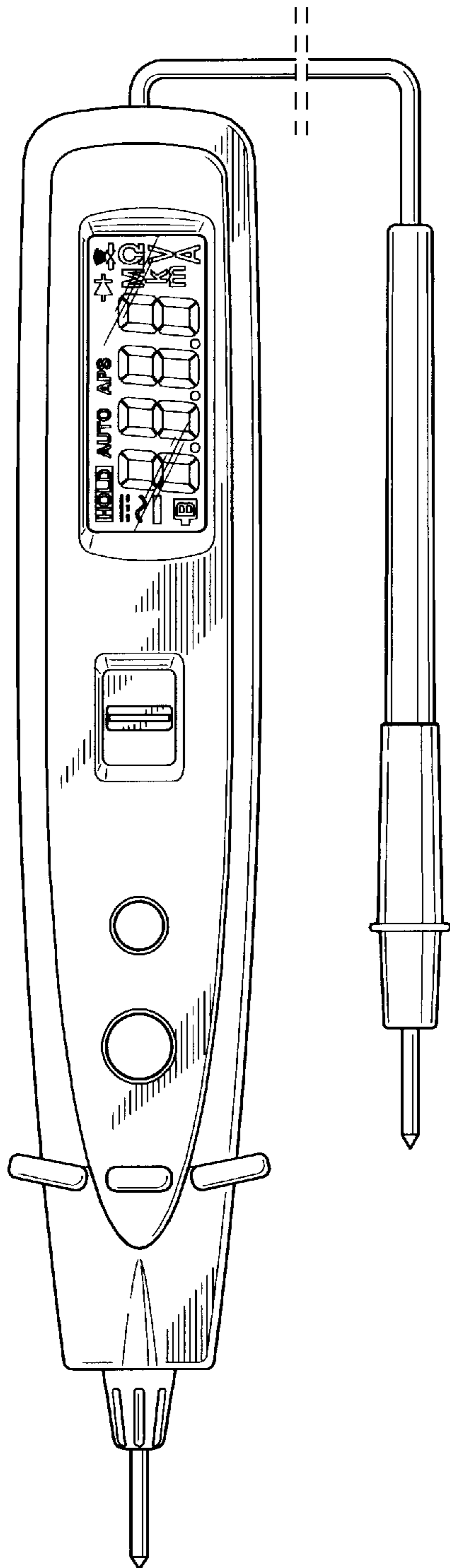
*Fig. 5*



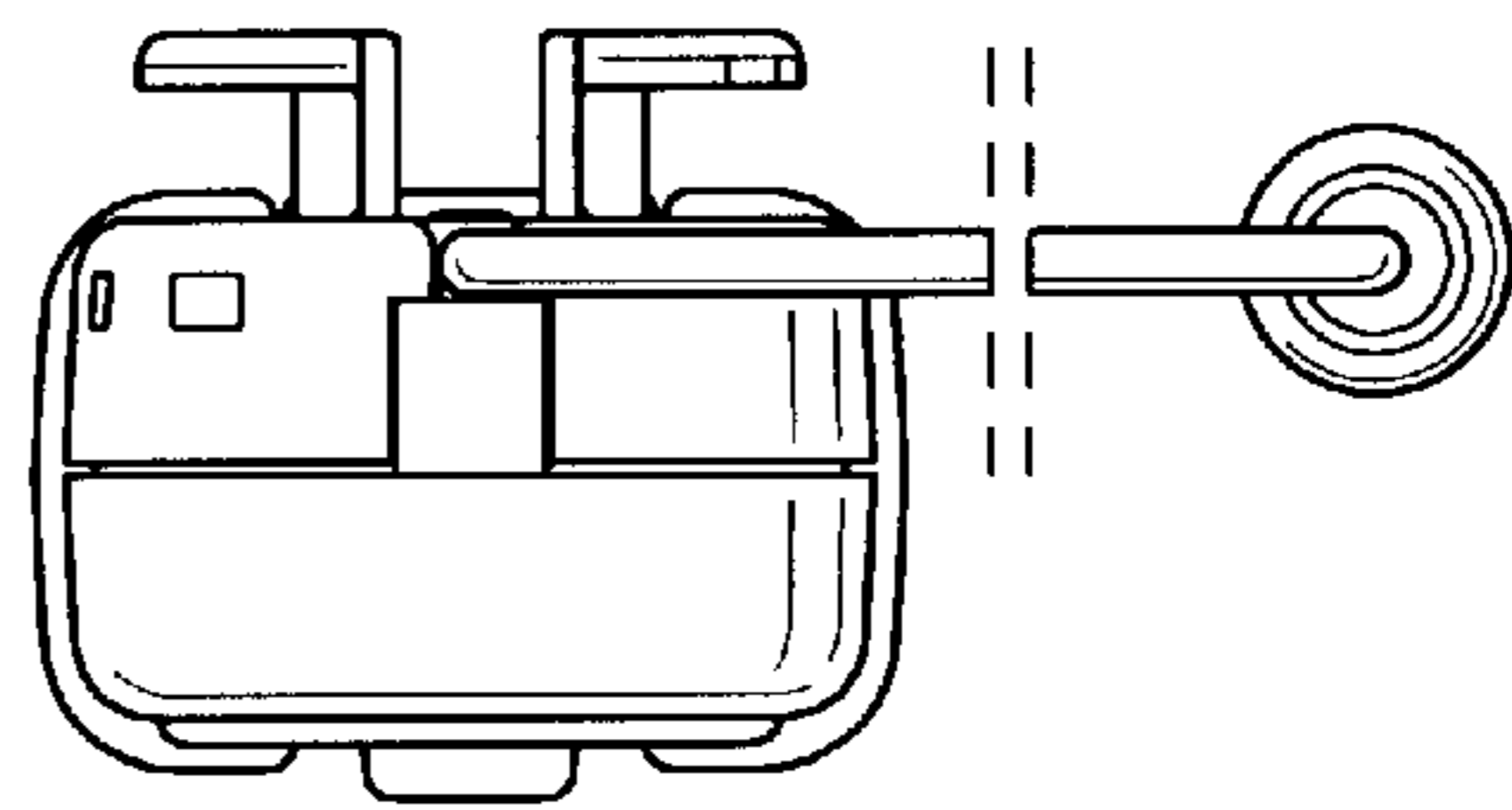
*Fig. 6*



*Fig. 7*



*Fig. 8*



*Fig. 9*

