



US00D481954S

(12) **United States Design Patent**
Potts et al.

(10) **Patent No.:** **US D481,954 S**

(45) **Date of Patent:** **** Nov. 11, 2003**

(54) **CONTAINER**

(75) **Inventors:** **Craig L. Potts**, Waterville, OH (US);
Mary Ellen Reis, Wappingers, NY (US)

(73) **Assignee:** **Owens-Brockway Glass Container Inc.**, Toledo, OH (US)

(**) **Term:** **14 Years**

(21) **Appl. No.:** **29/129,608**

(22) **Filed:** **Sep. 18, 2000**

(51) **LOC (7) Cl.** **09-01**

(52) **U.S. Cl.** **D9/538; D9/543; D9/559**

(58) **Field of Search** D9/300, 500, 503,
D9/510, 511, 515, 516, 529, 530, 537,
538, 541, 544, 545, 546, 549, 560, 561,
574, 575; 215/381-385, 396, 398; D28/91.1

(56) **References Cited**

U.S. PATENT DOCUMENTS

D49,730 S	*	10/1916	Graham	D9/538
D59,106 S	*	9/1921	Hothersall	D9/511
D64,127 S		3/1924	Miller		
D68,368 S	*	10/1925	Bell	215/382
D70,281 S	*	6/1926	Lents	D9/538
D79,585 S	*	10/1929	Edwards	D9/556
D142,746 S	*	10/1945	Stackpole	D9/538
D189,372 S	*	11/1960	Adell	D9/561
D191,379 S	*	9/1961	Stanley	D9/541

D202,003 S	*	8/1965	Douglas	D9/503
D233,216 S	*	10/1974	Cachero	D9/500
D317,256 S	*	6/1991	Samuels	D9/538 X
D387,278 S		12/1997	Olivares et al.		
D392,566 S	*	3/1998	Vahjen et al.	D9/538 X
D405,698 S	*	2/1999	Lykken et al.	D9/541

* cited by examiner

Primary Examiner—Ted Shooman

Assistant Examiner—Carol Rademaker

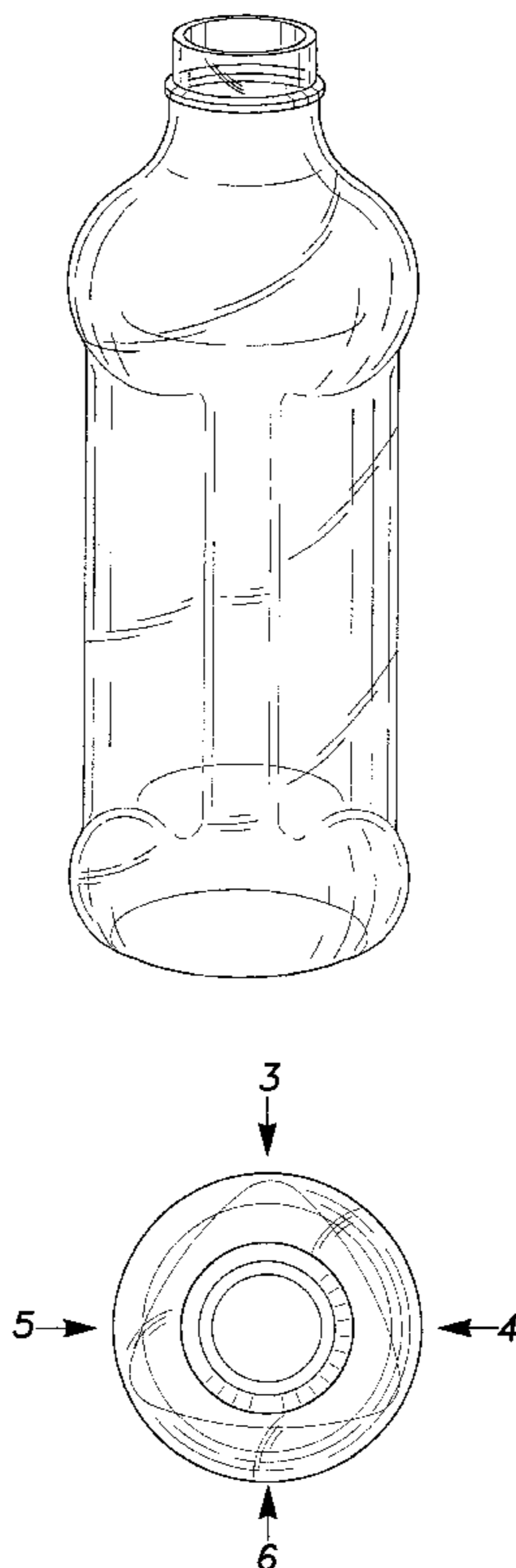
(57) **CLAIM**

The ornamental design for a container, as shown and described.

DESCRIPTION

FIG. 1 is a perspective view of the container according to our new design;
 FIG. 2 is a top plan view of the container of FIG. 1;
 FIG. 3 is an elevation view of the container of FIGS. 1 and 2 taken in the direction of the arrow 3 in FIG. 2;
 FIG. 4 is an elevation view of the container of FIGS. 1-3 taken in the direction of the arrow 4 in FIG. 2;
 FIG. 5 is an elevation view of the container of FIGS. 1-4 taken in the direction of the arrow 5 in FIG. 2;
 FIG. 6 is an elevation view of the container of FIGS. 1-5 taken in the direction of the arrow 6 in FIG. 2;
 FIG. 7 is a bottom plan view of the container of FIGS. 1-6; and,
 FIG. 8 is a sectional view taken on line 8-8 of FIG. 4.

1 Claim, 6 Drawing Sheets



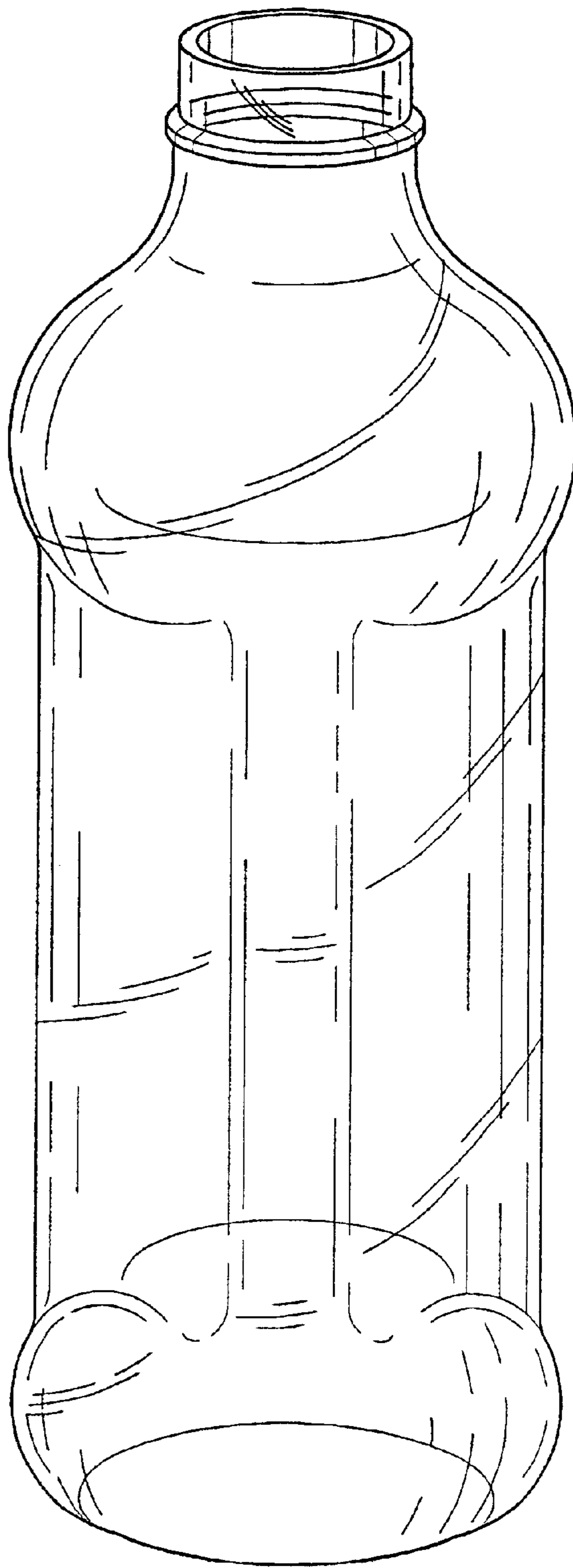


Fig-1

Fig-2

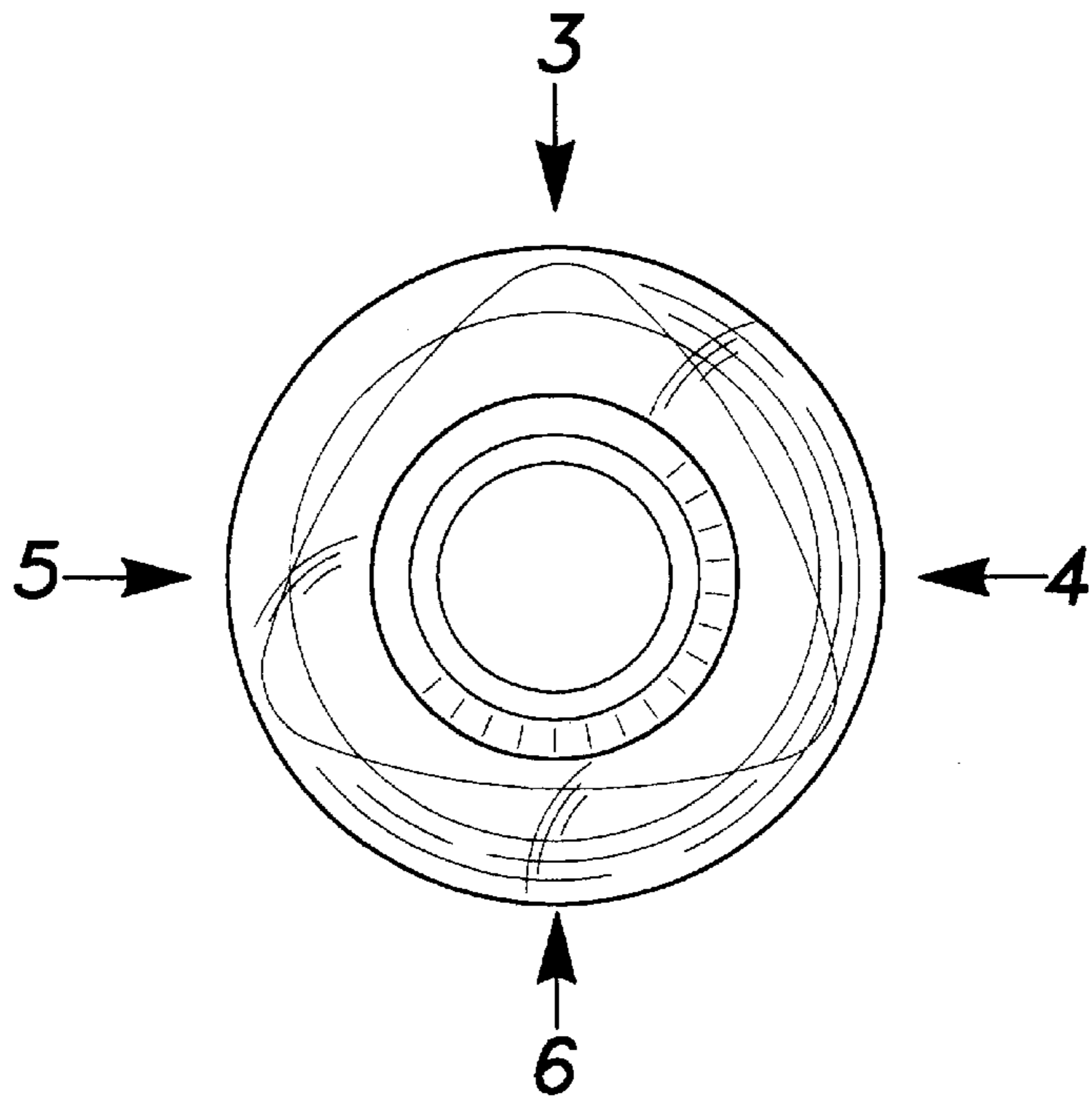


Fig-7

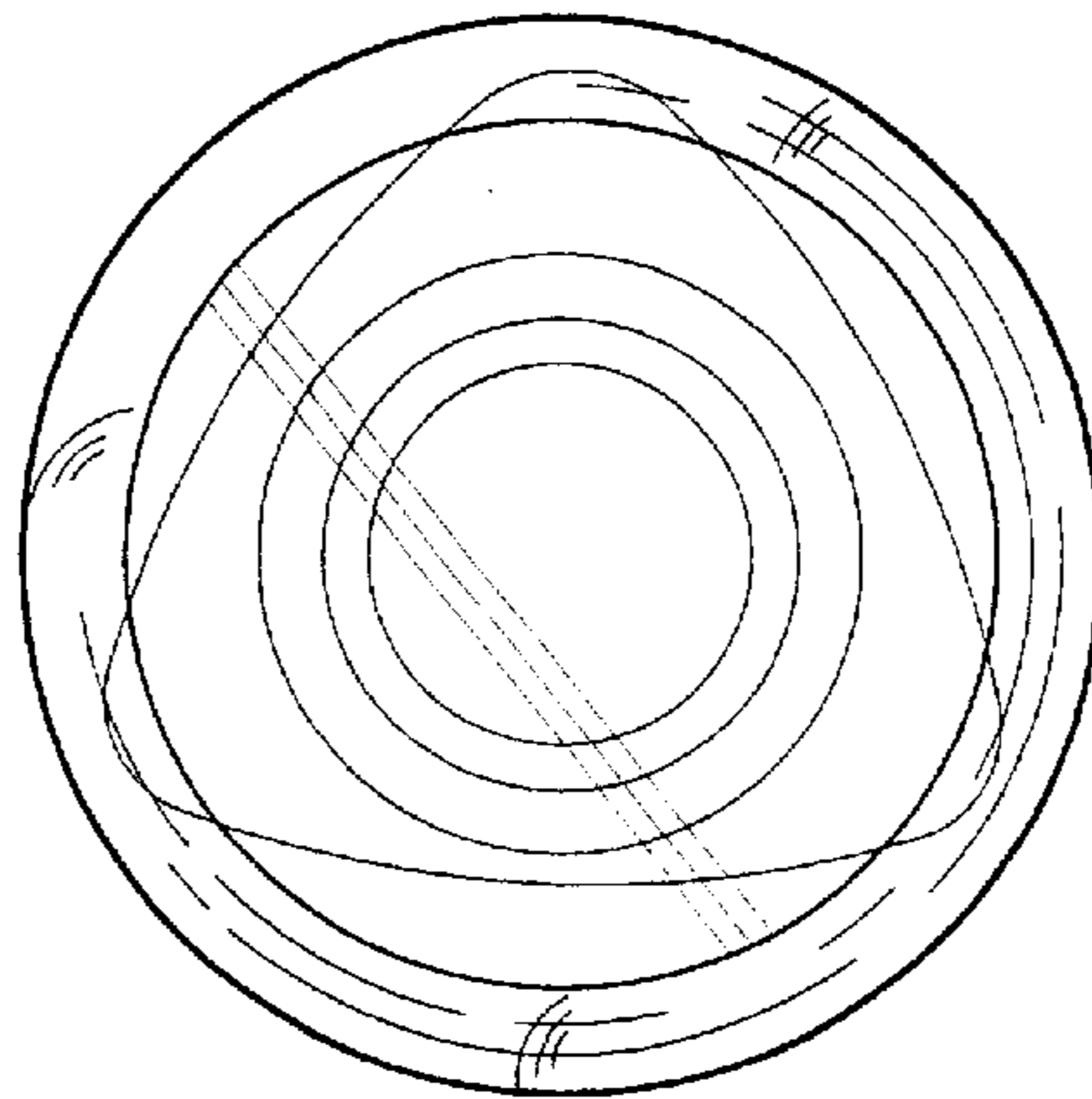
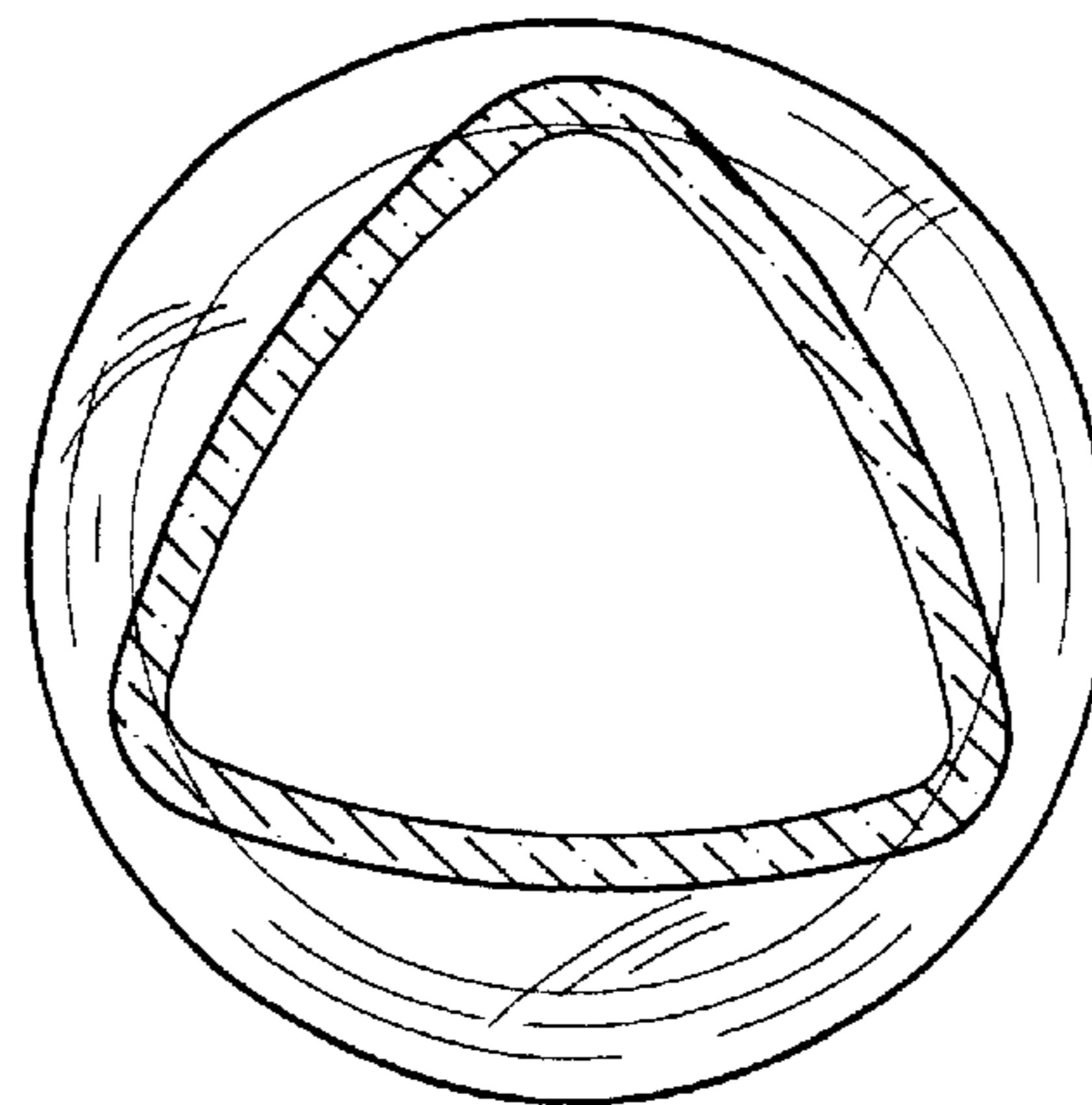


Fig-8



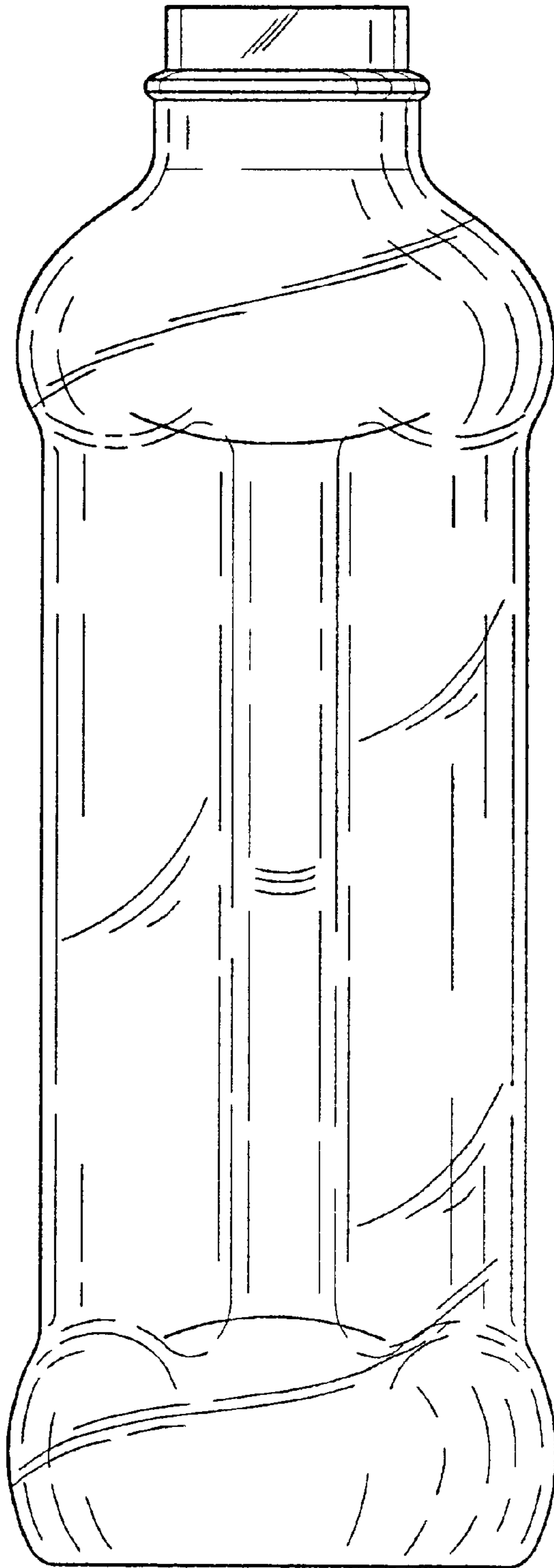


Fig-3

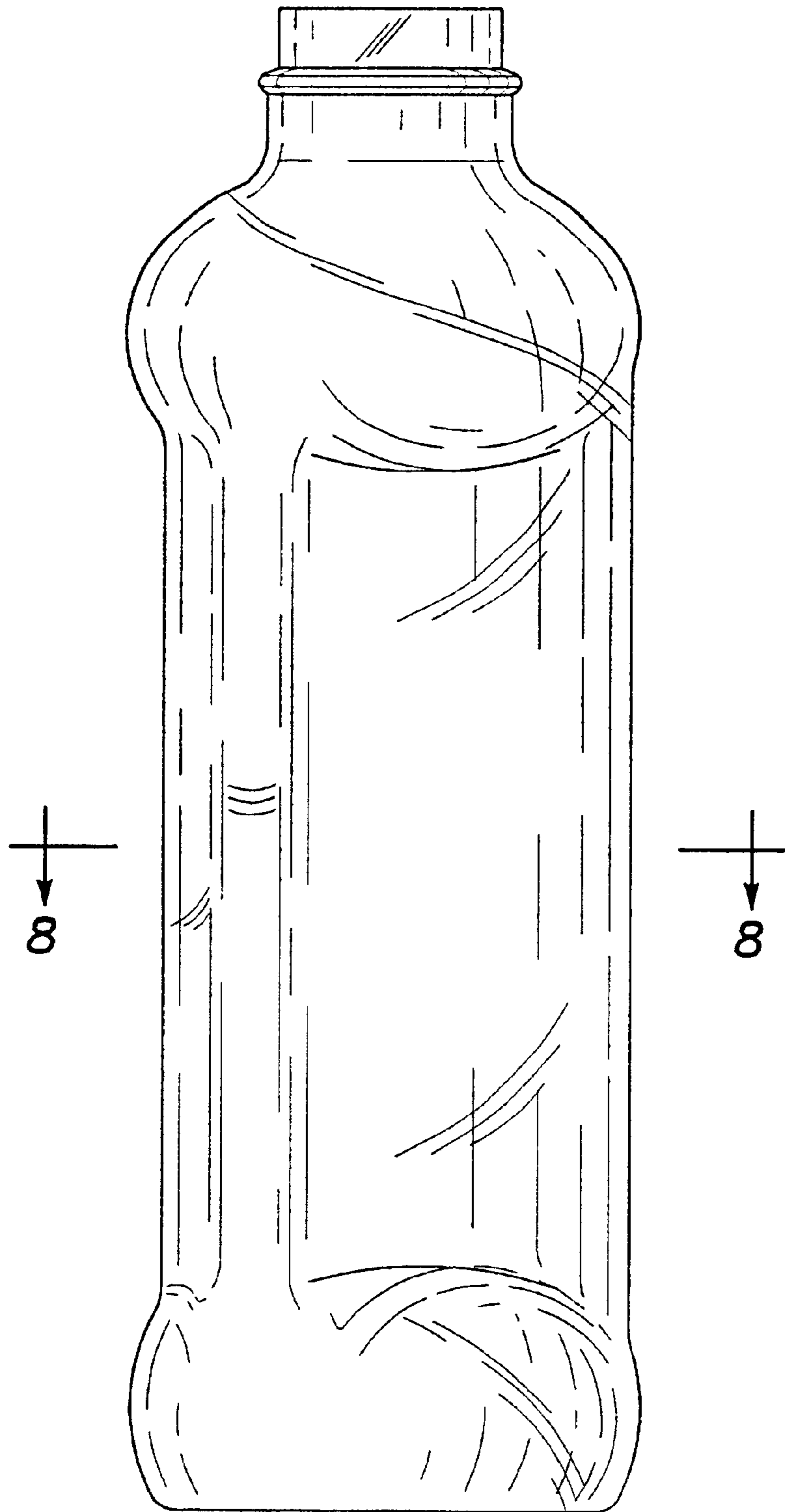


Fig-4

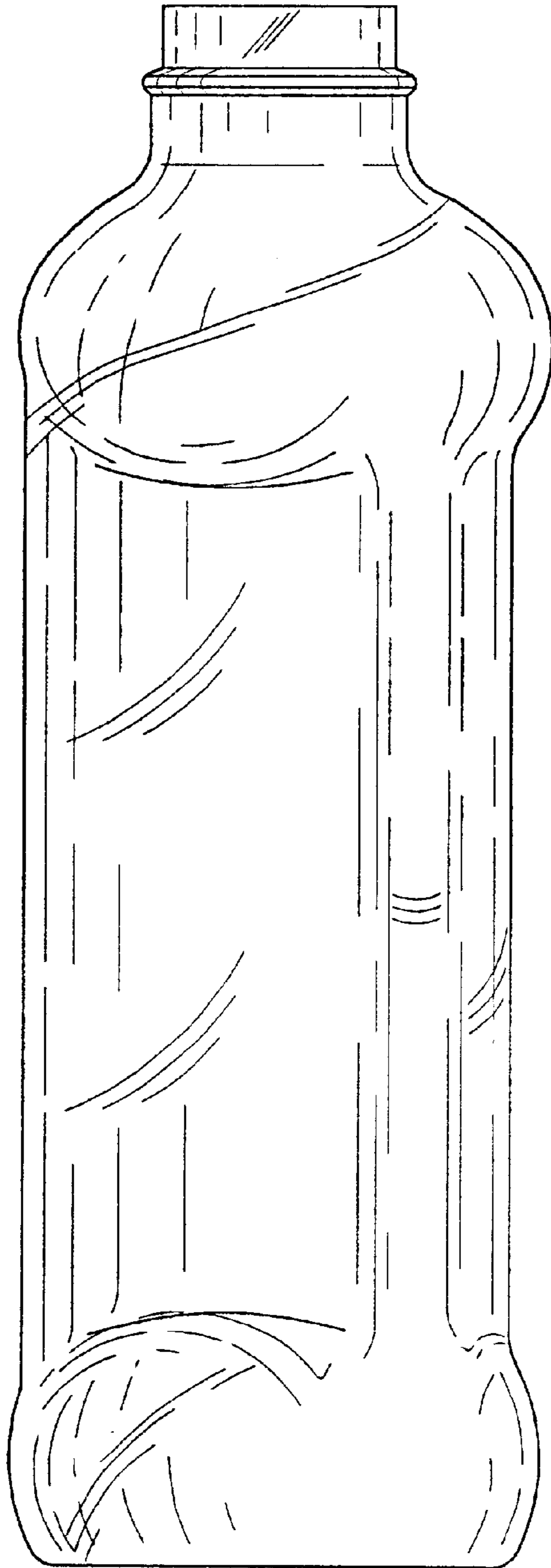


Fig-5

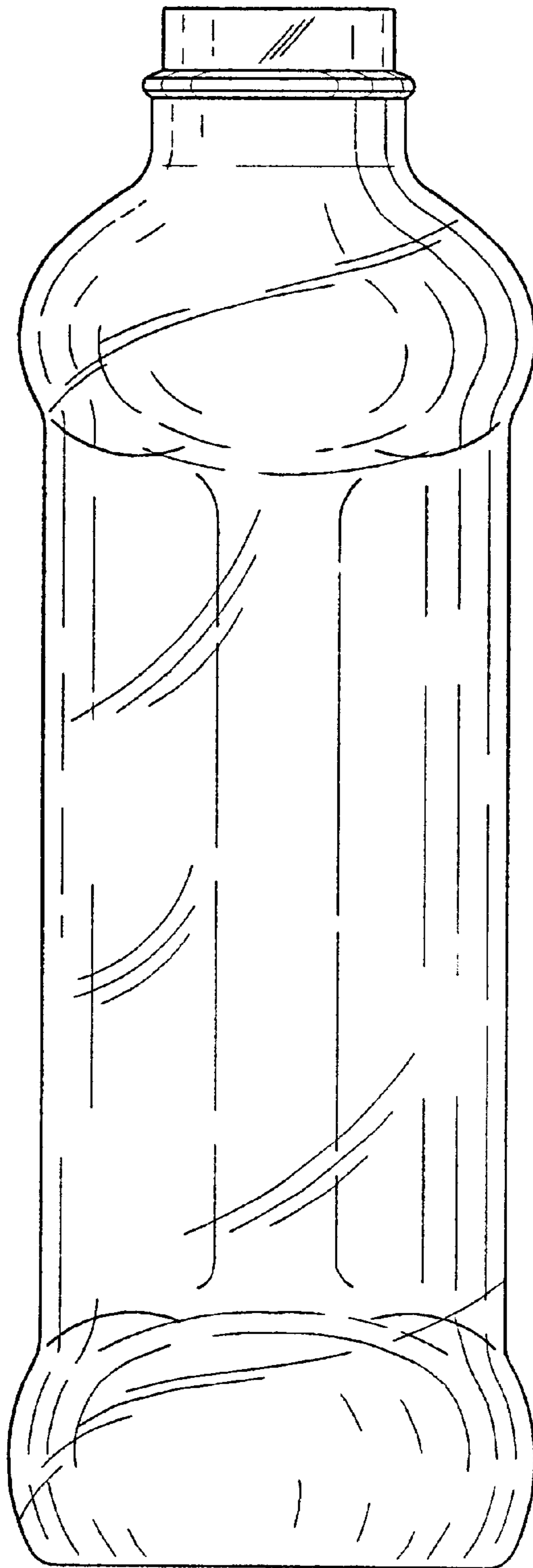


Fig-6