



US00D481948S

(12) **United States Design Patent**
Brozell et al.

(10) **Patent No.:** **US D481,948 S**

(45) **Date of Patent:** **** *Nov. 11, 2003**

(54) **SQUEEZE-AND-TURN CHILD RESISTANT CLOSURE**

(75) Inventors: **Brian J. Brozell**, Maumee, OH (US);
Stephen A. Eilertson, Perrysburg, OH (US);
Philip J. Robinson, Sylvania, OH (US)

(73) Assignee: **Owens-Illinois Closure Inc.**, Toledo, OH (US)

(*) Notice: This patent is subject to a terminal disclaimer.

(**) Term: **14 Years**

(21) Appl. No.: **29/177,529**

(22) Filed: **Mar. 10, 2003**

(51) **LOC (7) Cl.** **09-01**

(52) **U.S. Cl.** **D9/453; D9/454; D9/452; D9/443; D9/453**

(58) **Field of Search** D9/435, 436, 443, D9/445, 454, 503, 504, 529; 215/200, 201, 206, 216, 230; 220/288, 780

(56) **References Cited**

U.S. PATENT DOCUMENTS

1,685,147 A	9/1928	Case	
3,993,208 A	* 11/1976	Ostrowsky	215/216
4,002,258 A	* 1/1977	Curry	215/219
4,653,672 A	3/1987	Tuerk et al.	
4,752,014 A	6/1988	House et al.	

5,289,932 A	*	3/1994	Dimeo et al.	216/206
5,551,582 A		9/1996	Robinson	
D399,743 S		10/1998	Coon	
D404,303 S		1/1999	Webster	
5,915,576 A		6/1999	Robinson	
6,357,615 B1		3/2002	Herr	

OTHER PUBLICATIONS

U.S. patent application Ser. No. 29/167,174 filed Sep. 9, 2002.

* cited by examiner

Primary Examiner—Louis S. Zarfas
Assistant Examiner—Gregory Andoll

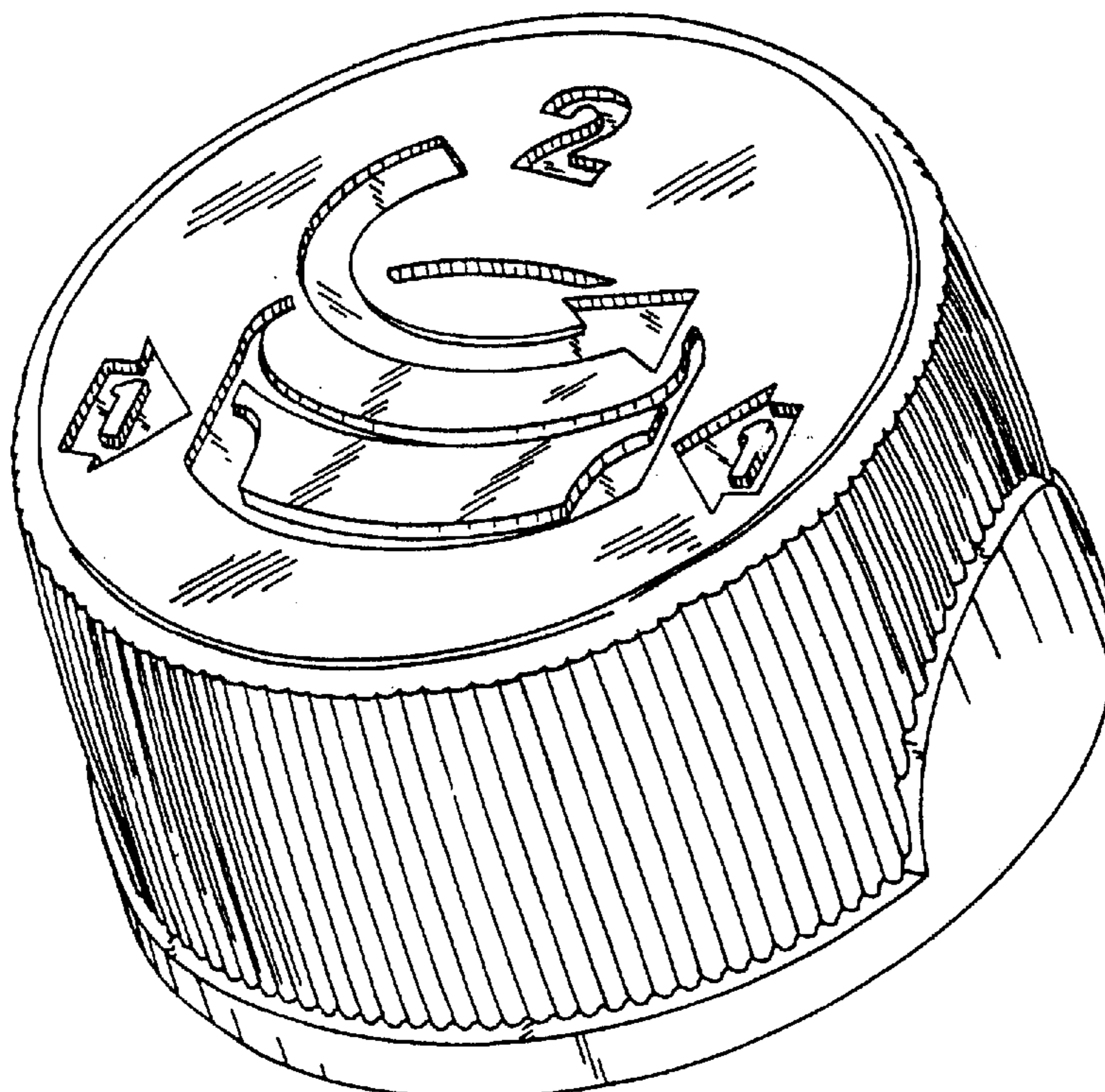
(57) **CLAIM**

We claim the ornamental design for a squeeze-and-turn child resistant closure, as shown and described.

DESCRIPTION

FIG. 1 is a perspective view of a squeeze-and-turn child resistant closure in accordance with the invention; FIG. 2 is a top plan view of the closure, the bottom of the closure being without ornamentation and forming no part of the claimed design; FIG. 3 is a side elevational view from the bottom in FIG. 2, the opposing side elevational view being substantially a mirror image thereof; and, FIG. 4 is a side elevational view taken from the right in FIG. 3, the opposing side elevational view being substantially a mirror image thereof.

1 Claim, 2 Drawing Sheets



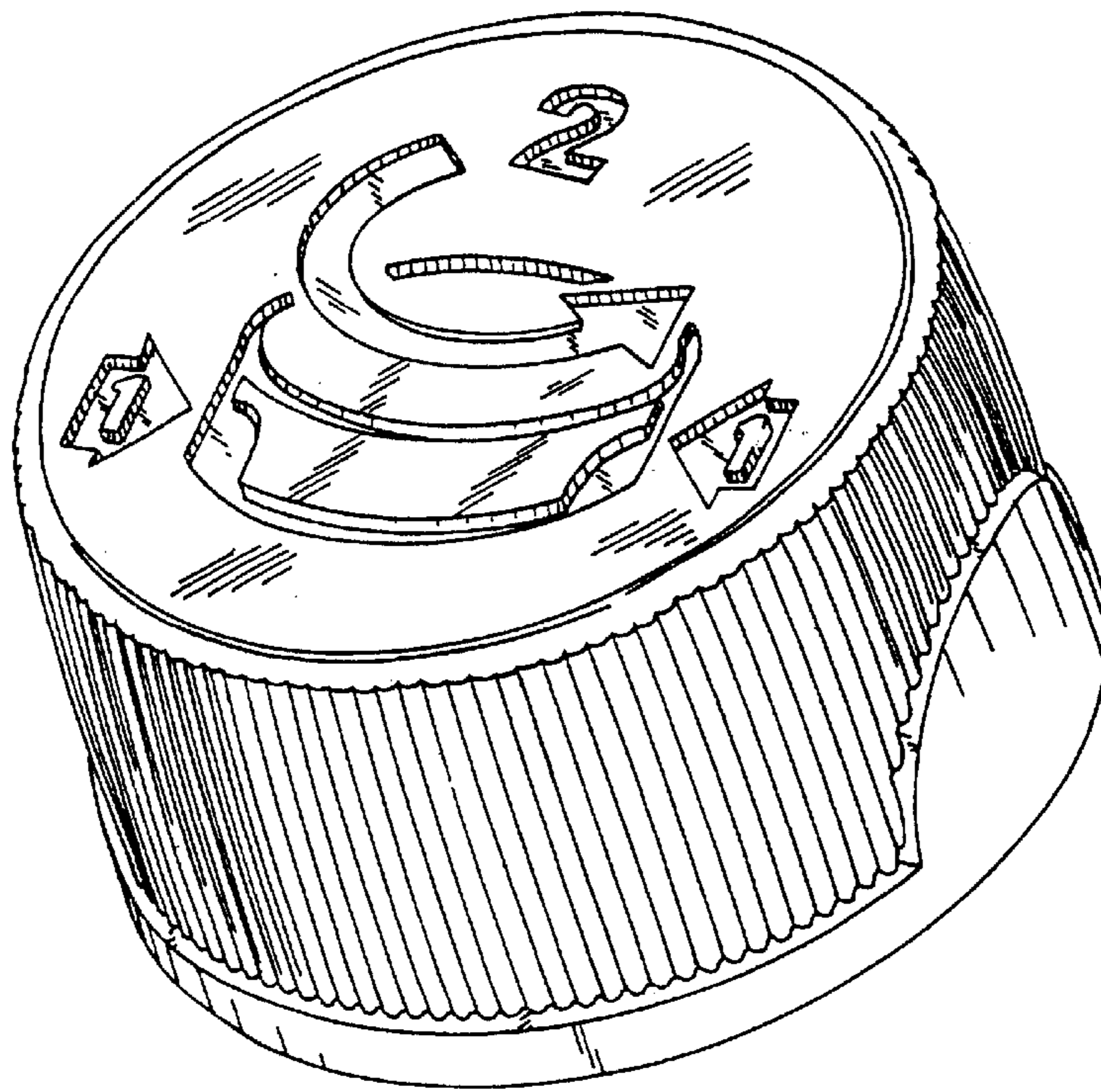


FIG. 1

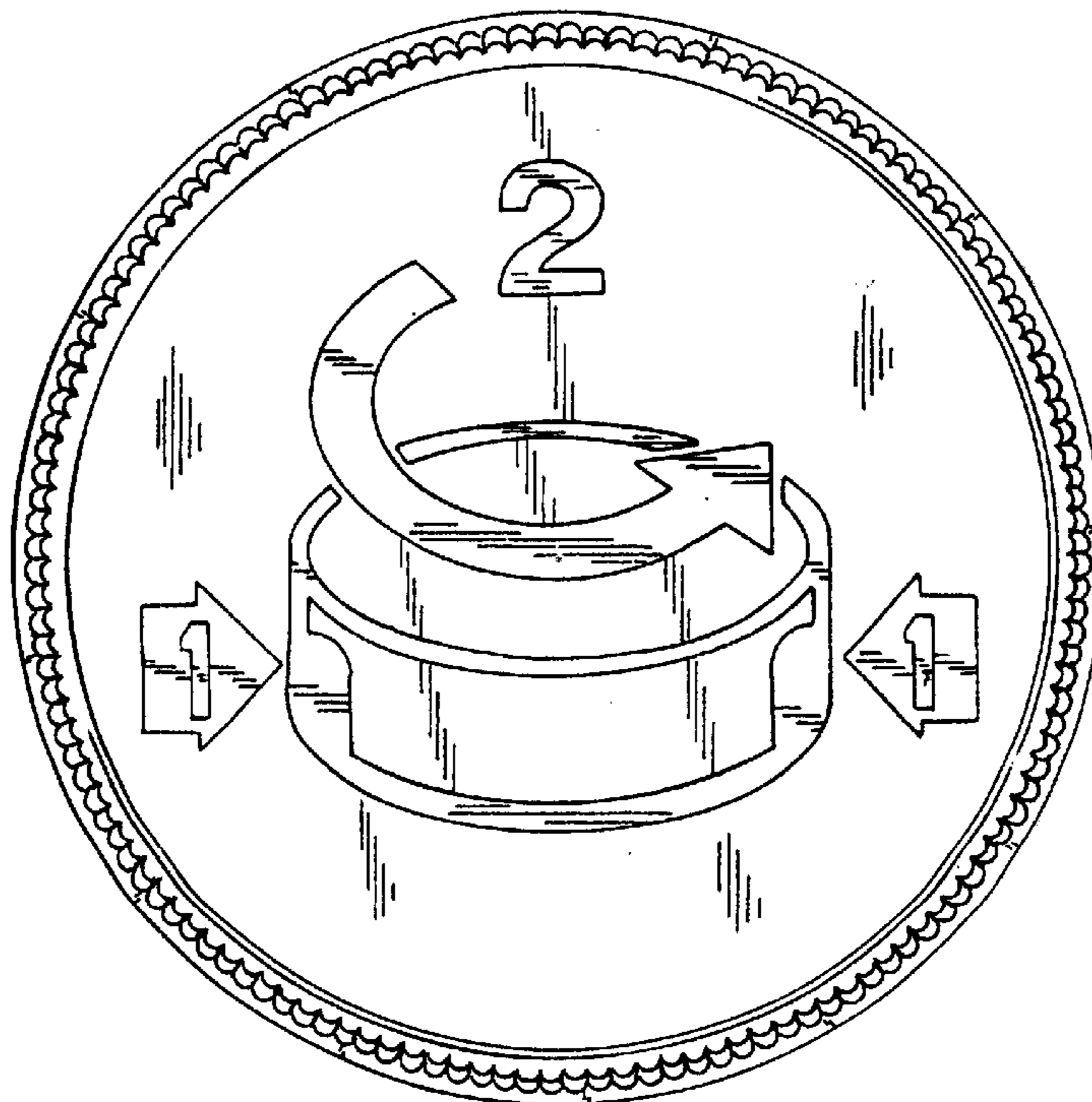


FIG. 2

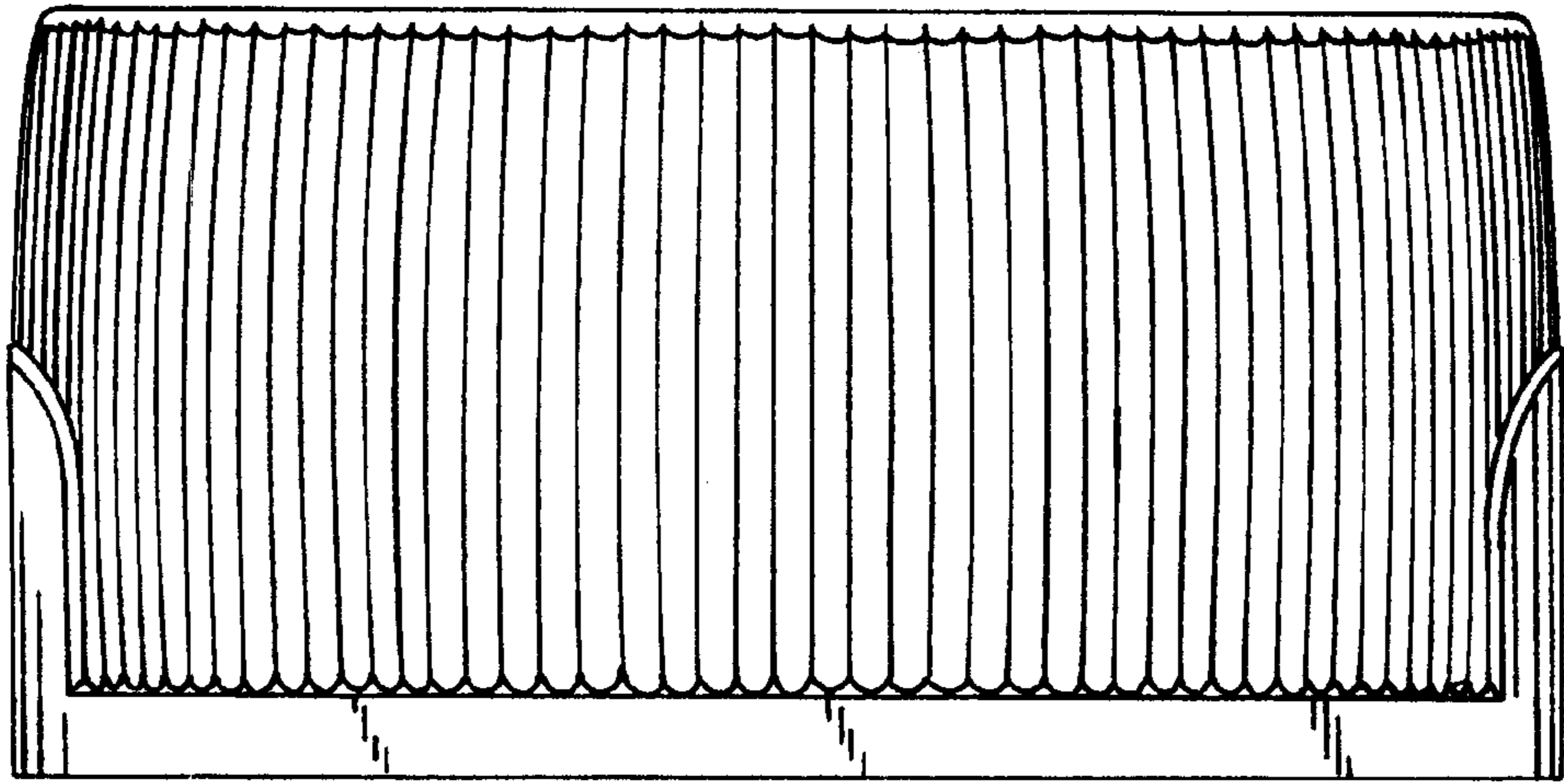


FIG. 3

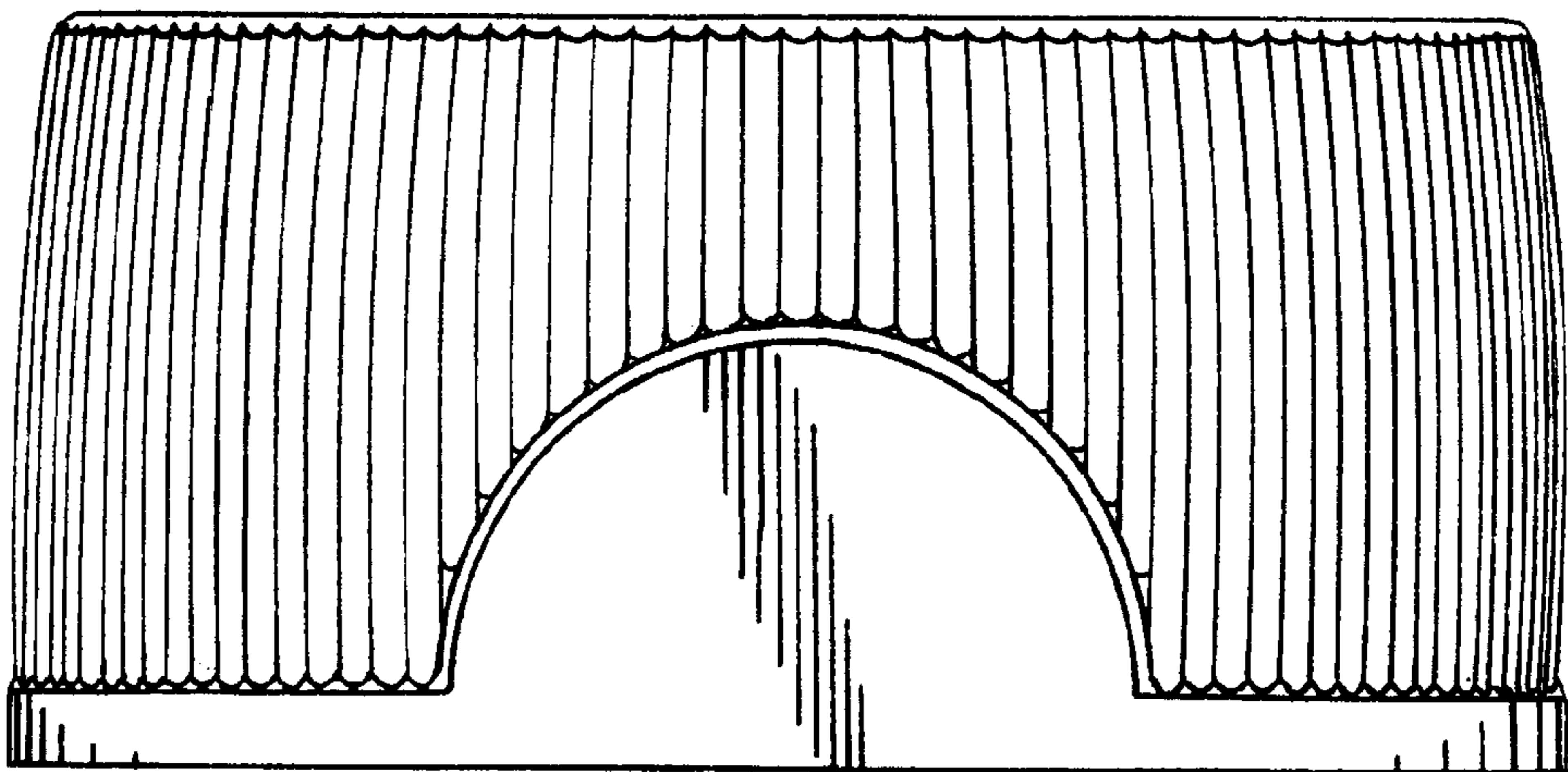


FIG. 4