



US00D481946S

(12) **United States Design Patent**
Nicholson et al.

(10) **Patent No.:** **US D481,946 S**

(45) **Date of Patent:** **** Nov. 11, 2003**

(54) **MEDICAMENT DOSAGE INDICATOR**

(75) Inventors: **Jeffery William Nicholson**, Palmdale, CA (US); **Brian Gittler**, 3510 Ridgeford Dr., Westlake Village, CA (US) 91361; **Lori P. Gittler**, 3510 Ridgeford Dr., Westlake Village, CA (US) 91361

(73) Assignees: **Brian Gittler**, Westlake Village, CA (US); **Lori P. Gittler**, Westlake Village, CA (US)

(**) Term: **14 Years**

(21) Appl. No.: **29/178,804**

(22) Filed: **Mar. 31, 2003**

(51) **LOC (7) Cl.** **09-07**

(52) **U.S. Cl.** **D9/436; D9/435; D9/452; D9/453; D9/454; D3/203; D24/224**

(58) **Field of Search** **D9/435, 436, 452, D9/453, 454, 556, 339; D3/203; D10/126; D24/224; 116/298, 308, 309; 206/459.1, 534; 215/220, 230**

(56) **References Cited**

U.S. PATENT DOCUMENTS

D181,675 S * 12/1957 Reibling D3/203
D342,671 S 12/1993 Elliott

5,358,117 A * 10/1994 Adams 206/534
5,577,335 A * 11/1996 Tucker 116/309
D384,886 S * 10/1997 Plante D9/436
D397,295 S 8/1998 Shelton-Ferrell
6,003,467 A 12/1999 Shelton-Ferrell et al.
6,032,609 A 3/2000 Luoma

* cited by examiner

Primary Examiner—Louis S. Zarfes

Assistant Examiner—Gregory Andoll

(74) *Attorney, Agent, or Firm*—Edward Gray

(57) **CLAIM**

We claim the ornamental design for a medicament dosage indicator, as shown and described.

DESCRIPTION

FIG. 1 is an environmental top perspective view of a medicament dosage indicator showing our new design, the indicator attached to a container cap;

FIG. 2 is a top perspective view thereof;

FIG. 3 is a top plan view thereof;

FIG. 4 is a front elevational view thereof;

FIG. 5 is a rear elevational view thereof;

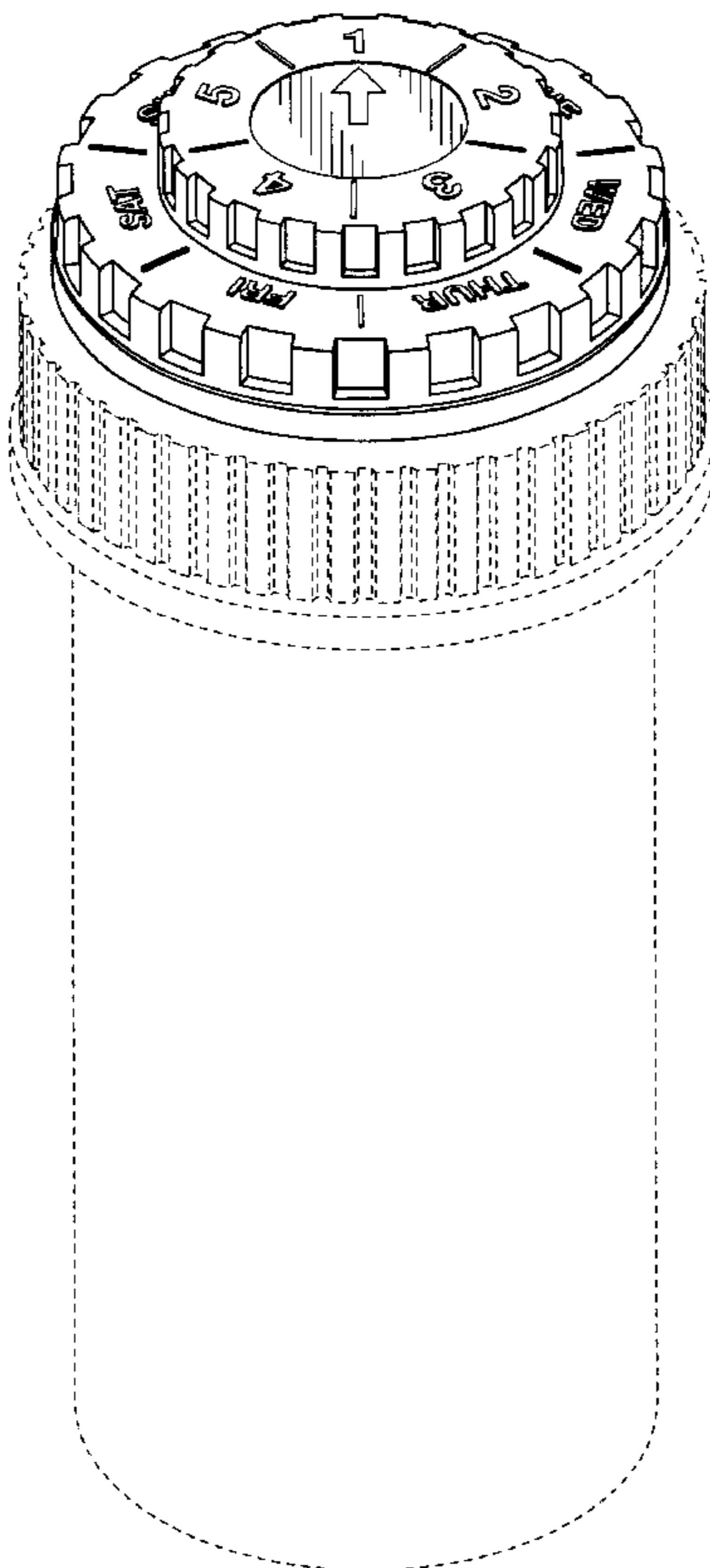
FIG. 6 is a right elevational view thereof;

FIG. 7 is a left elevational view of thereof; and,

FIG. 8 is a bottom plan view thereof.

The broken lines in the Figures are for illustrative purposes only and form no part of the claimed design.

1 Claim, 3 Drawing Sheets



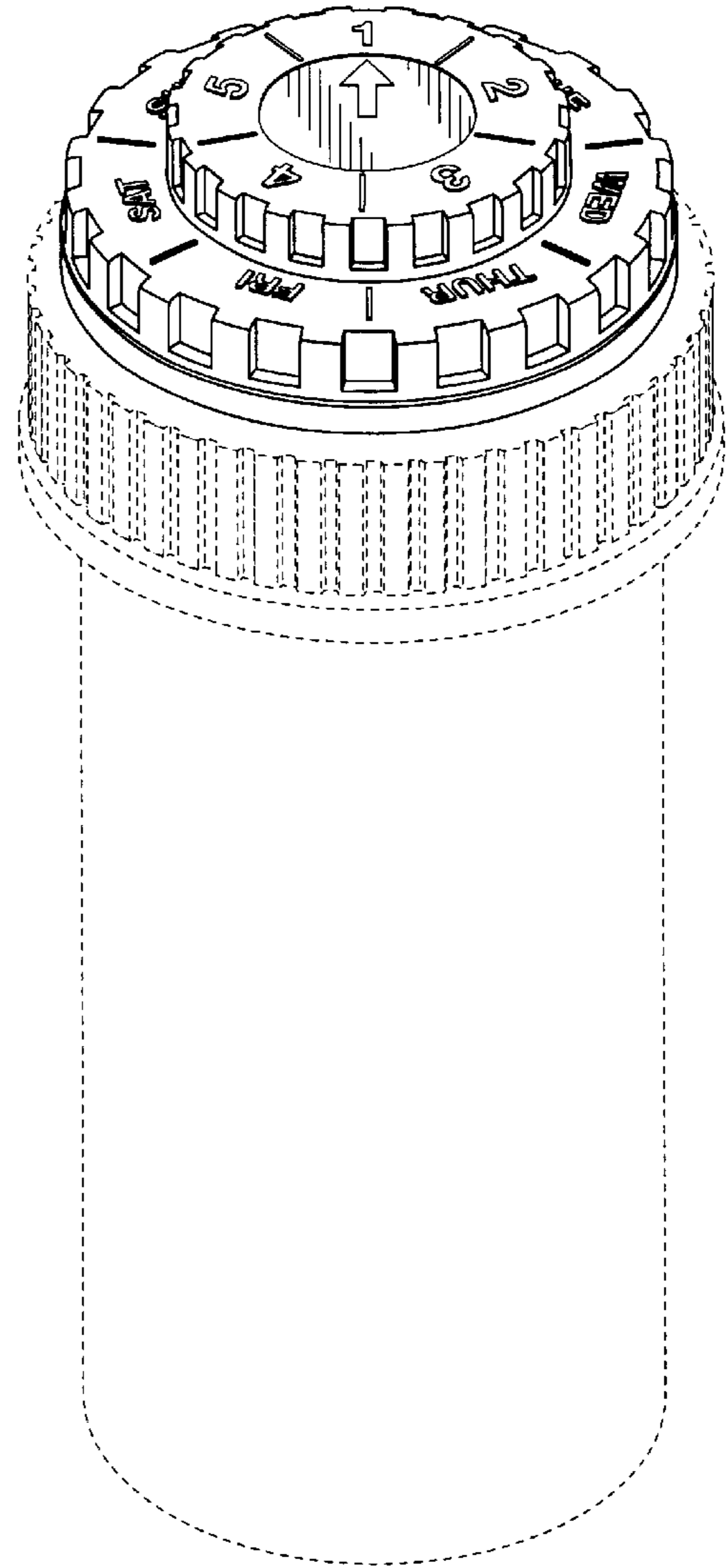


FIG. 1

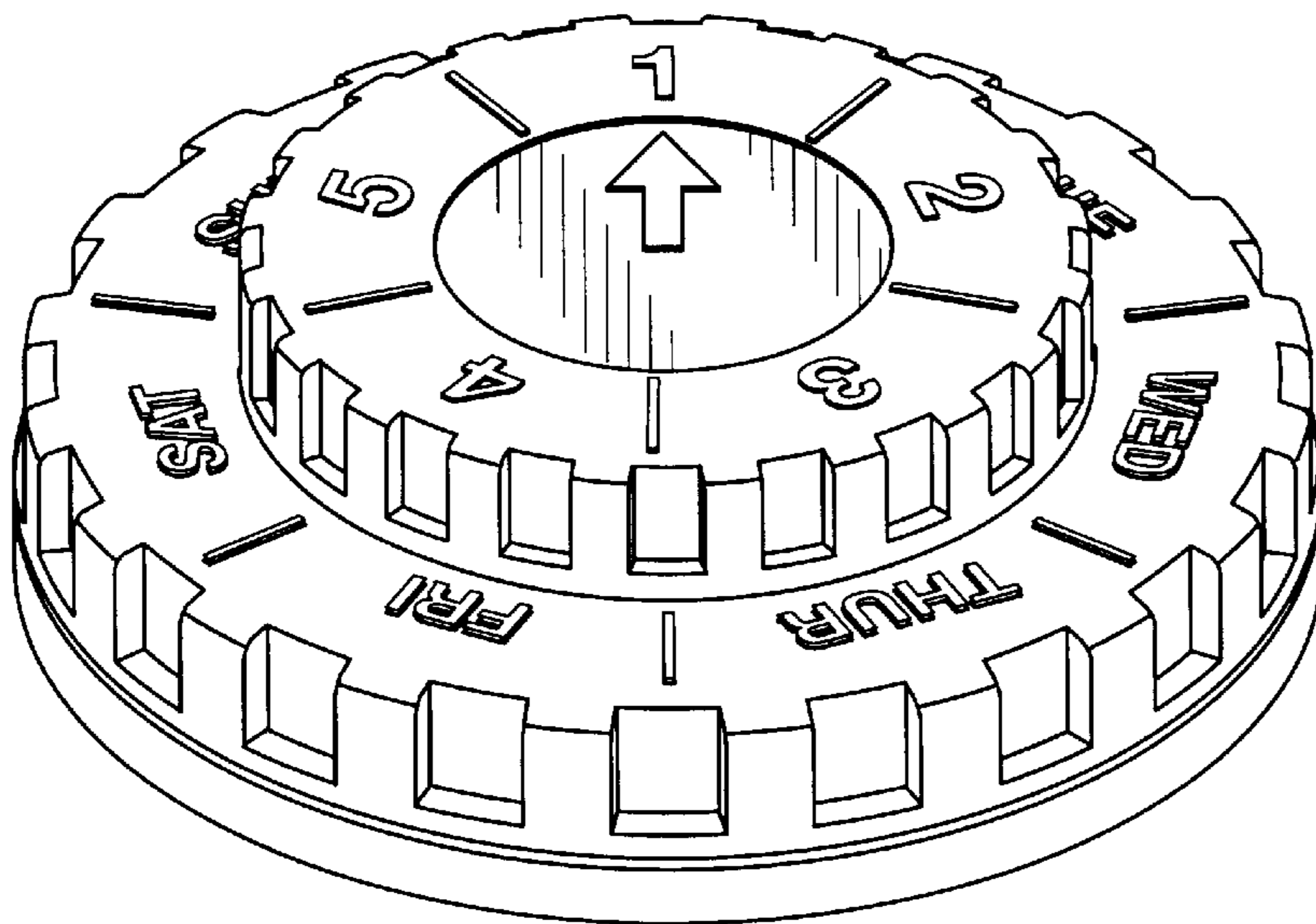


FIG. 2

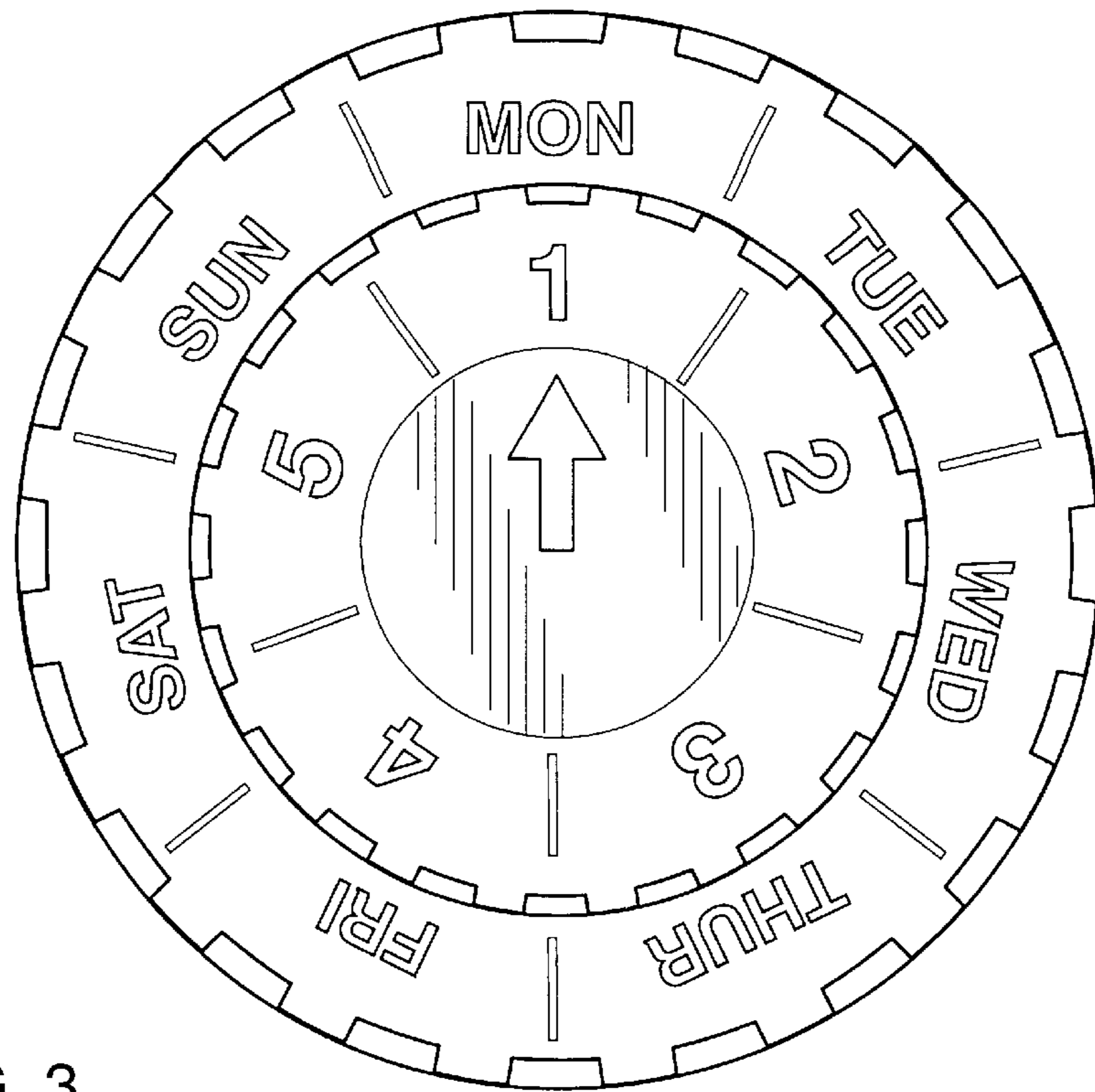


FIG. 3

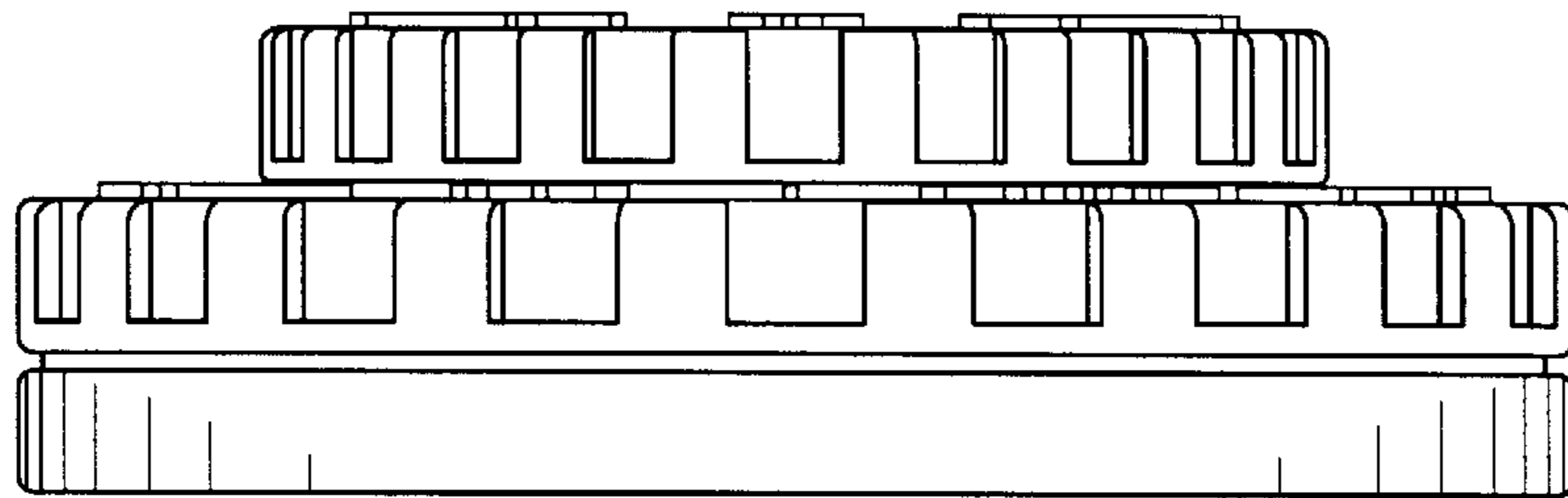
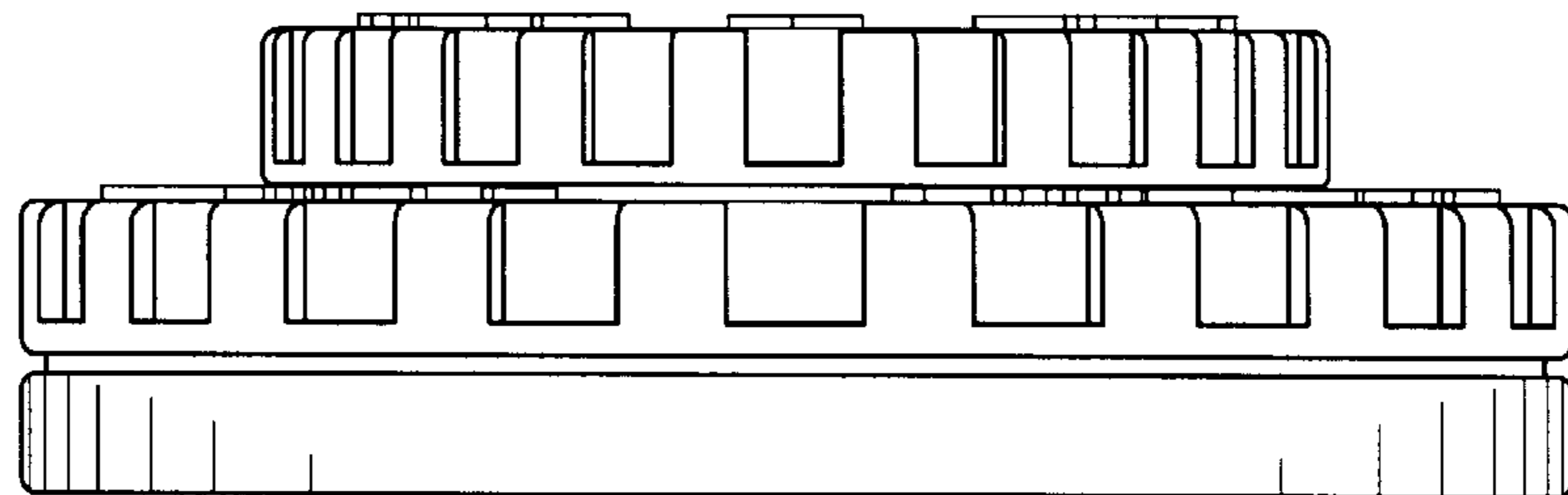


FIG. 4

FIG. 5



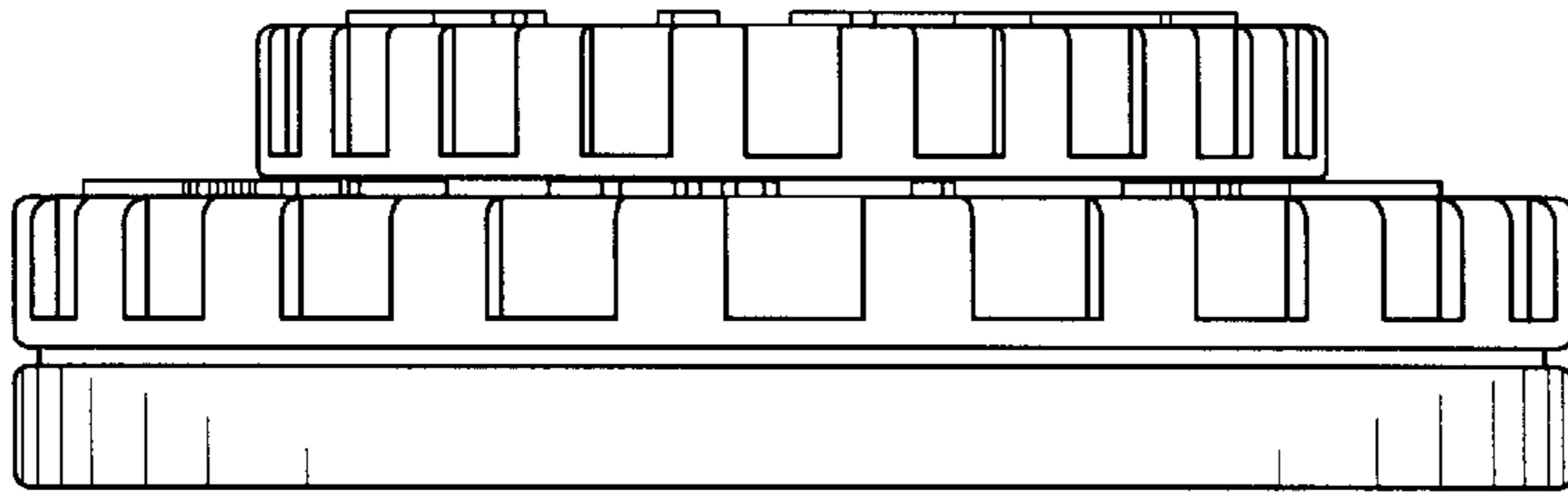


FIG. 6

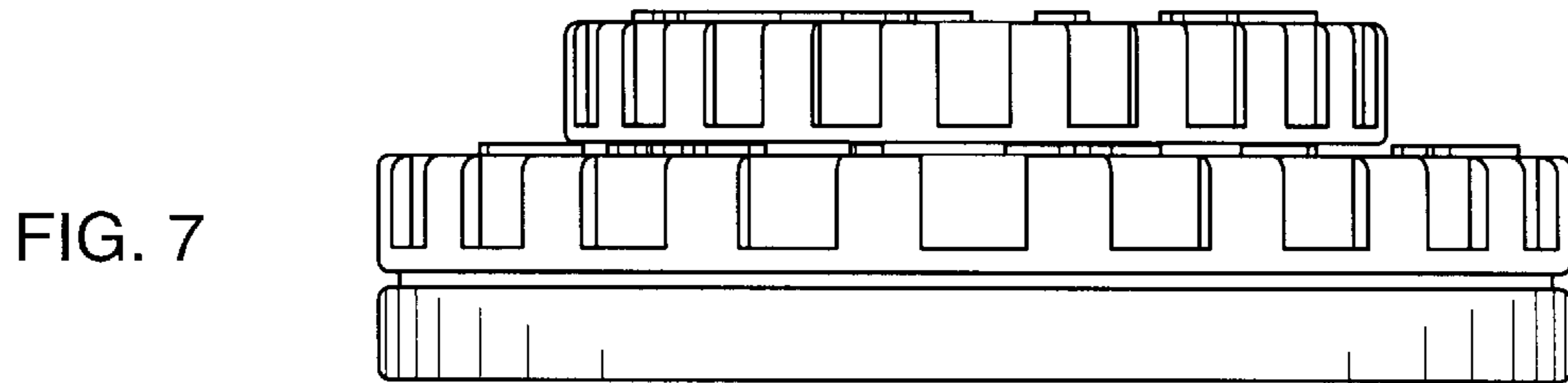


FIG. 7

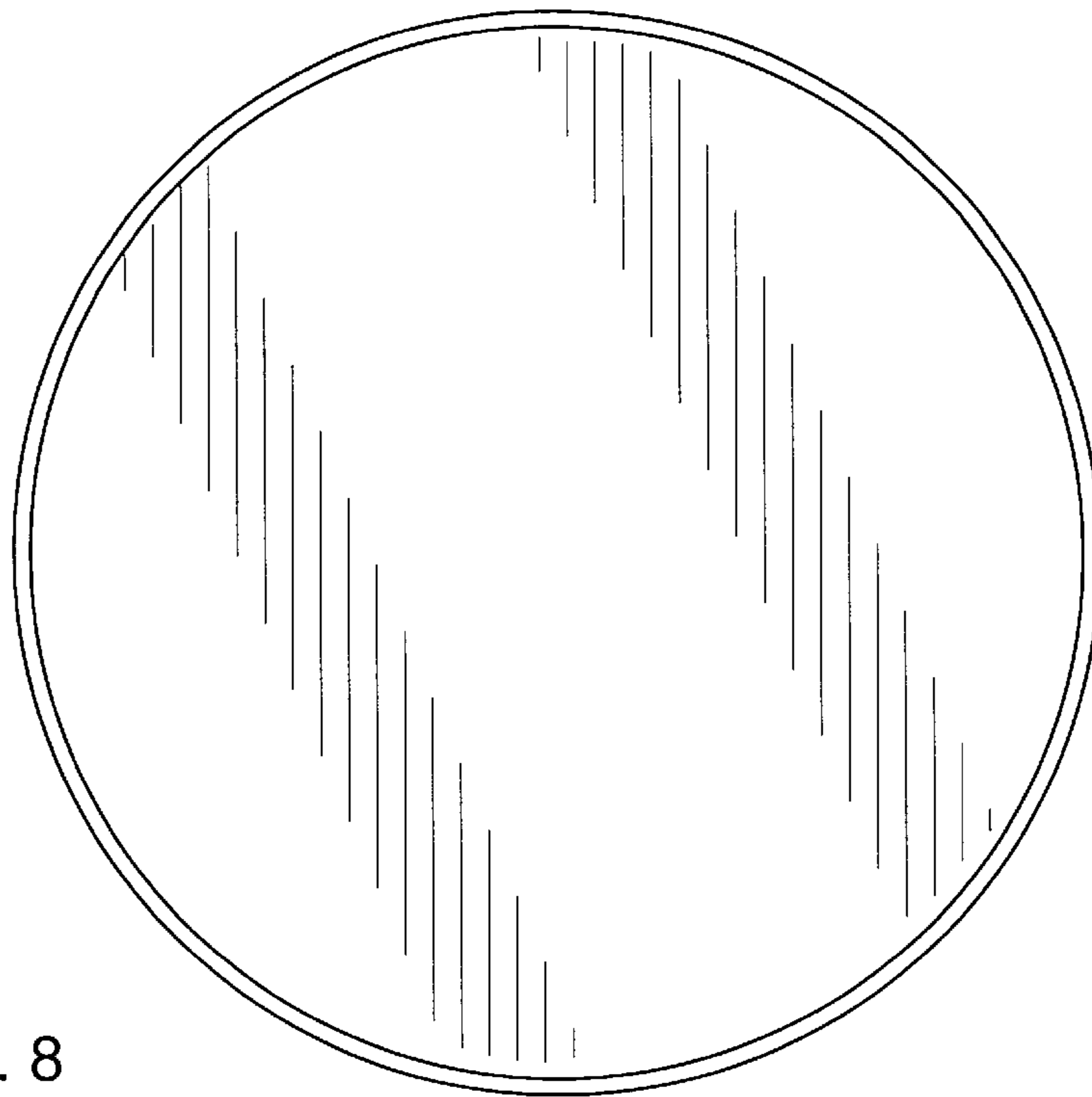


FIG. 8