



US00D481943S

(12) **United States Design Patent**
Hobbs

(10) **Patent No.:** **US D481,943 S**

(45) **Date of Patent:** **** Nov. 11, 2003**

(54) **CONTAINER**

(75) Inventor: **John Kerry Hobbs**, McDonough, GA (US)

(73) Assignee: **Rock-Tenn Company**, Norcross, GA (US)

(**) Term: **14 Years**

(21) Appl. No.: **29/168,592**

(22) Filed: **Oct. 4, 2002**

Related U.S. Application Data

(62) Division of application No. 29/137,188, filed on Feb. 14, 2001.

(51) **LOC (7) Cl.** **09-03**

(52) **U.S. Cl.** **D9/428; D9/341**

(58) **Field of Search** D9/307, 341, 414, D9/424-425, 428, 431, 499; 206/315.1, 315.9, 427, 431, 457, 557-558, 585, 561, 564, 527, 448; 220/4.01, 4.21, 4.24-4.25, 4.29, 6, 9.1, 500, 503-504, 507, 553, 555-556, 200, 213, 376-377, 62.11, 660, 662, 669, 667

(56) **References Cited**

U.S. PATENT DOCUMENTS

3,545,642 A	12/1970	Swett
D392,882 S	3/1998	Pfirmann, Jr. et al.
D412,115 S	7/1999	D'Andrea
5,925,390 A	7/1999	Kornacki
D415,421 S	10/1999	McCann
D415,422 S	10/1999	McCann

5,960,982 A 10/1999 Perlis et al.

Primary Examiner—Ted Shooman

Assistant Examiner—Daniel Bui

(74) *Attorney, Agent, or Firm*—Kilpatrick Stockton LLP

(57) **CLAIM**

The ornamental design for a container, as shown and described.

DESCRIPTION

FIG. 1 is a birds-eye perspective view of my new design for a container formed of a thin sheet of transparent material, with a lid shown in phantom lines which forms no part of the claimed design, exploded away and disposed above the container;

FIG. 2 is a top plan view of the container of FIG. 1, the bottom view of which is substantially the same and therefore not shown;

FIG. 3 is a front side elevational view of the container as viewed in FIG. 1, the opposite side of which is a mirror image and therefore not shown;

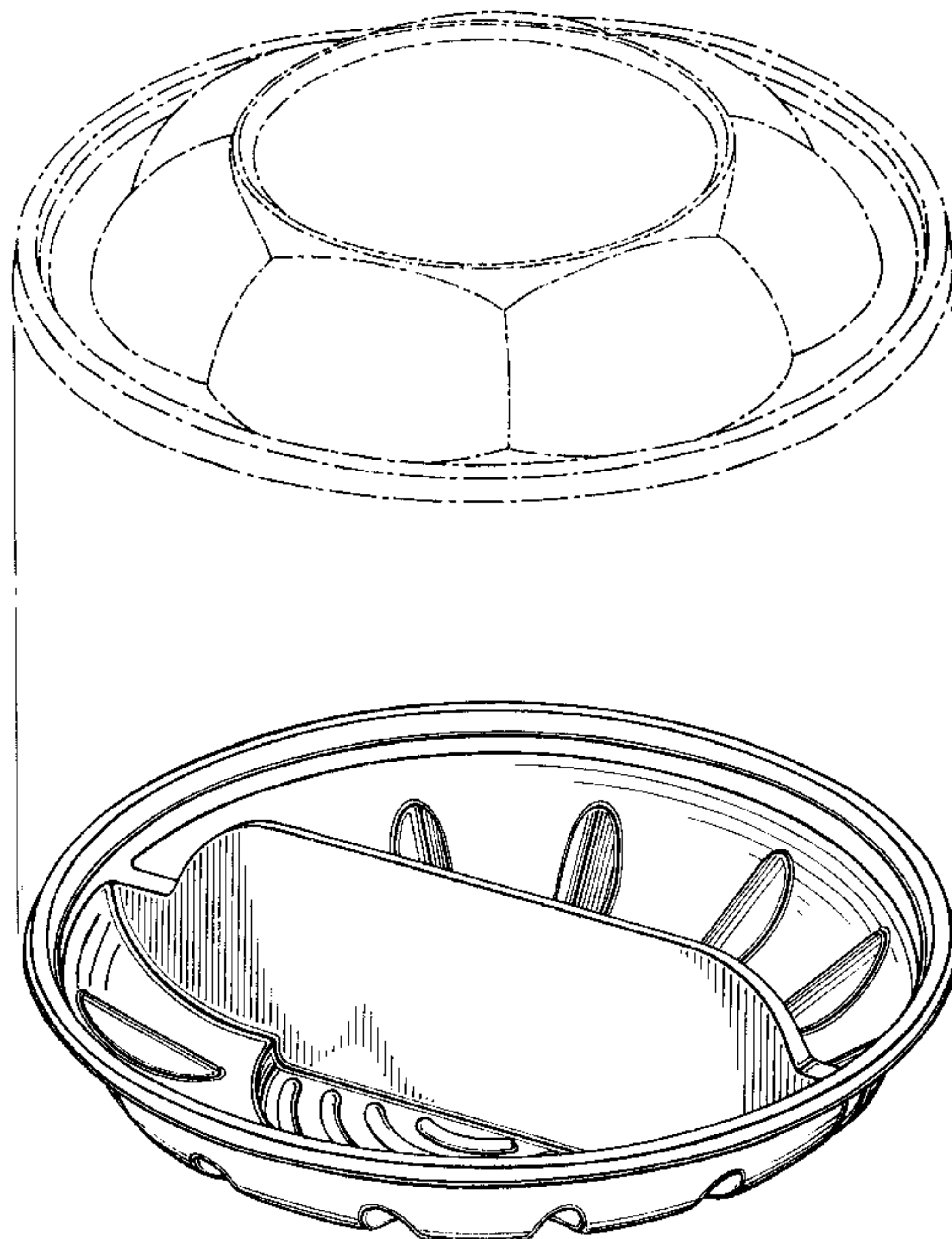
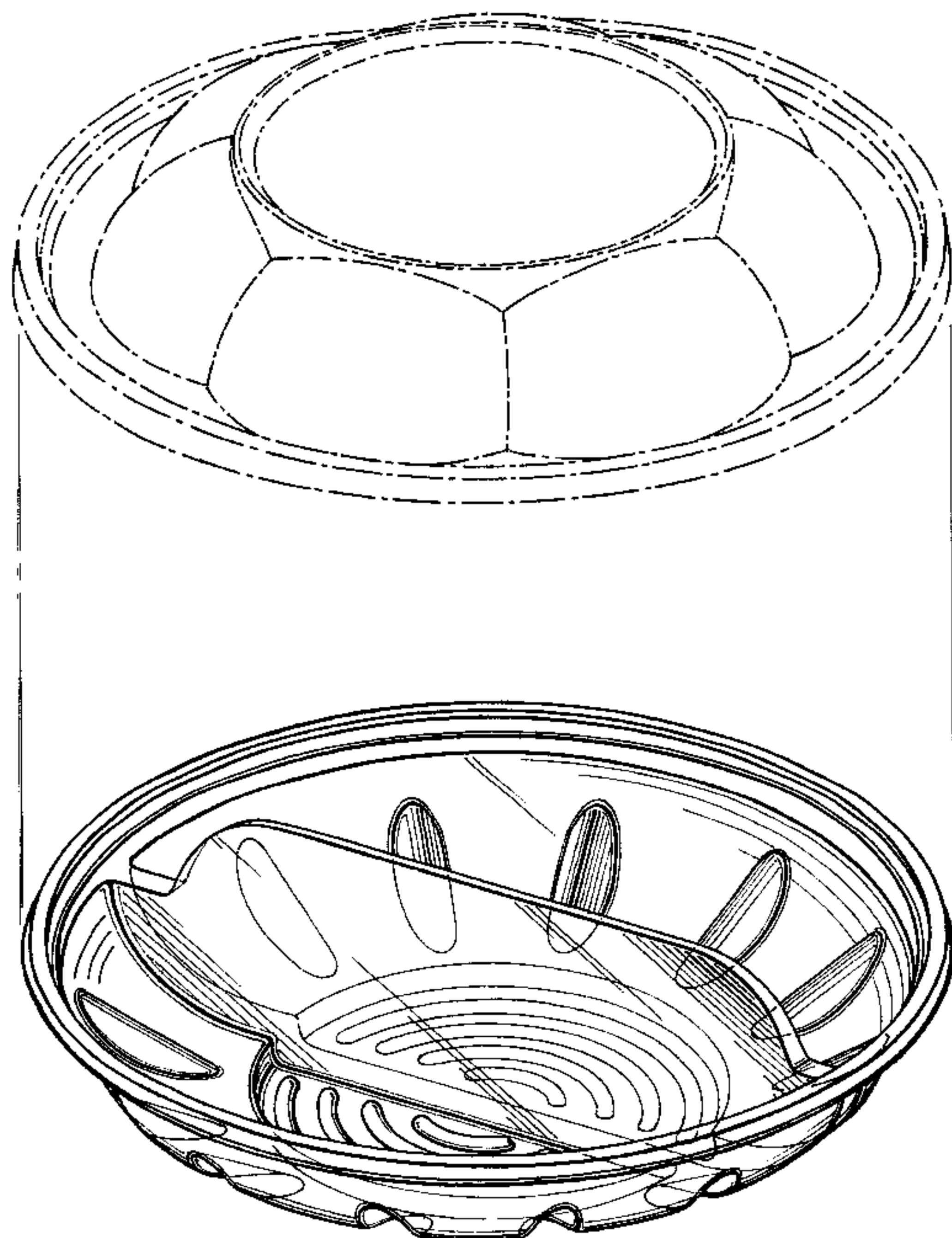
FIG. 4 is a left side elevational view of the container as viewed in FIG. 1, the opposite side of which is a mirror image and therefore not shown;

FIG. 5 is a cross-sectional view taken along lines 5—5 in FIG. 2;

FIG. 6 is a cross-sectional view taken along lines 6—6 in FIG. 2; and,

FIG. 7 is a birds-eye perspective view of the second embodiment of my new design, formed of a thin sheet of opaque material, with a lid shown in phantom lines which forms no part of the claimed design, exploded away and disposed above the container.

1 Claim, 5 Drawing Sheets



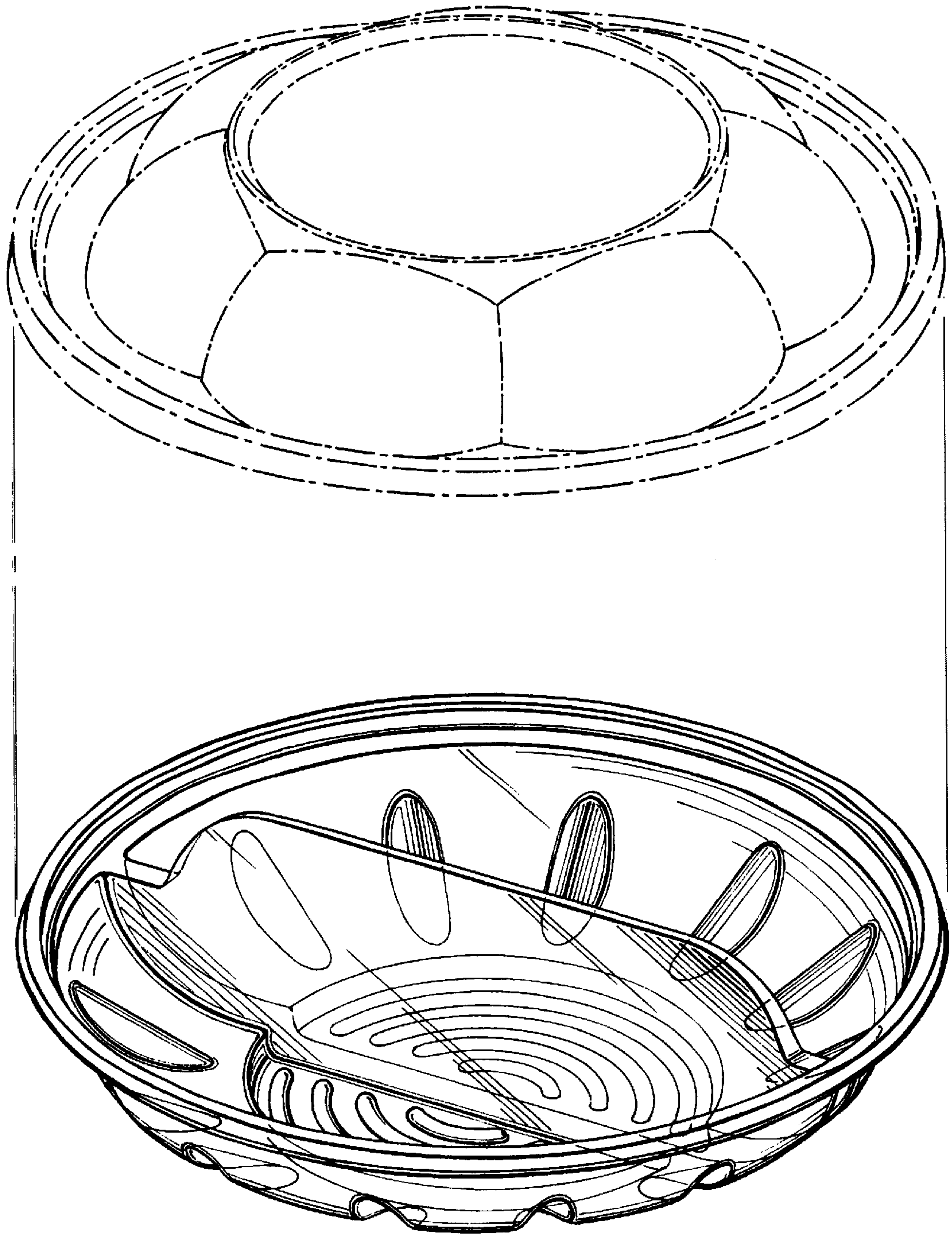


FIG 1

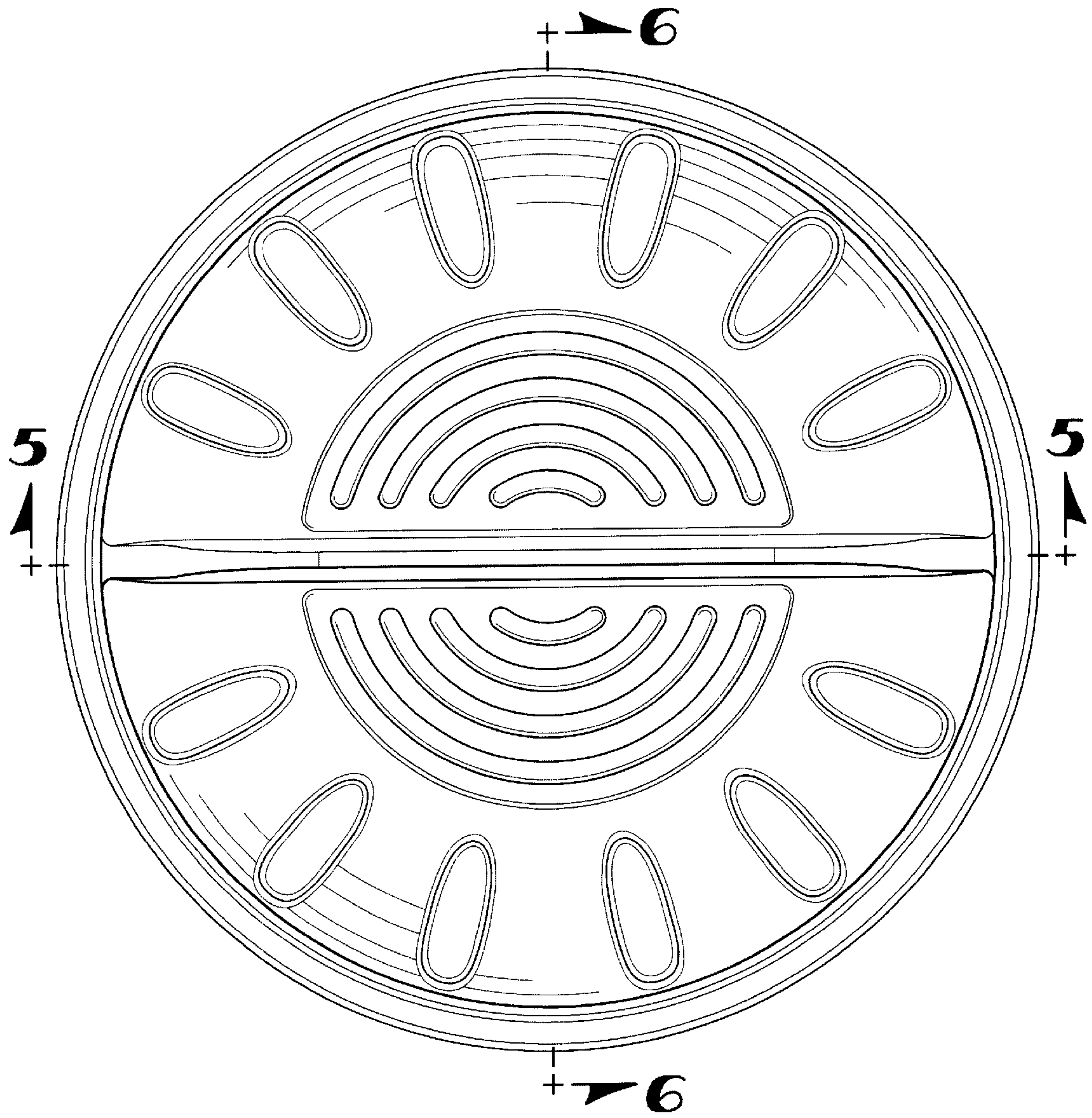


FIG 2

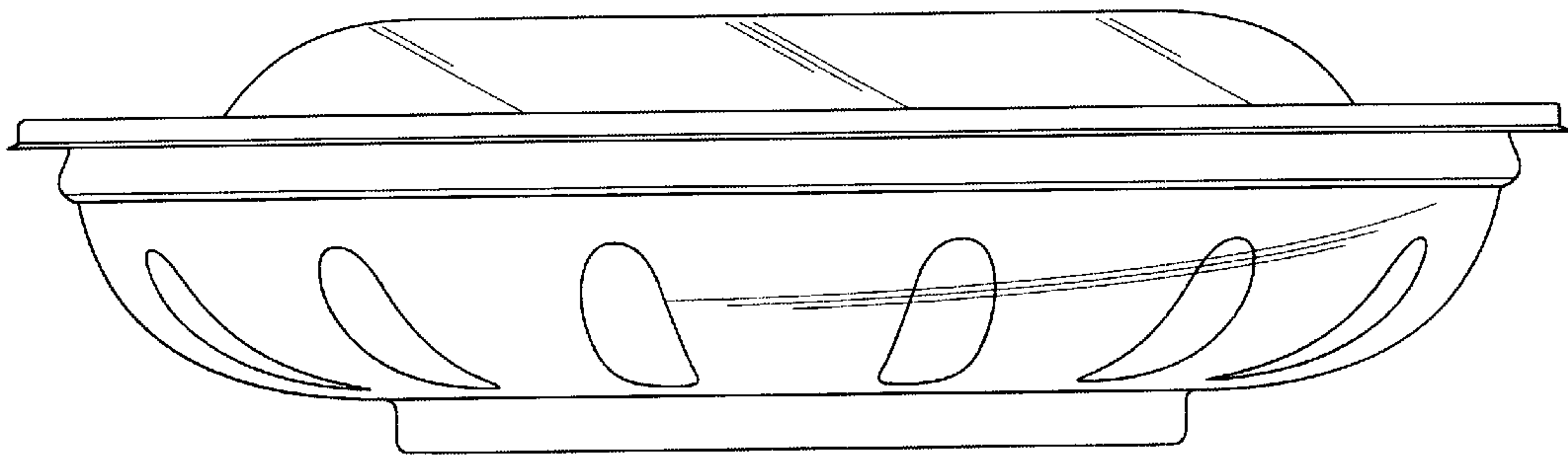


FIG 3

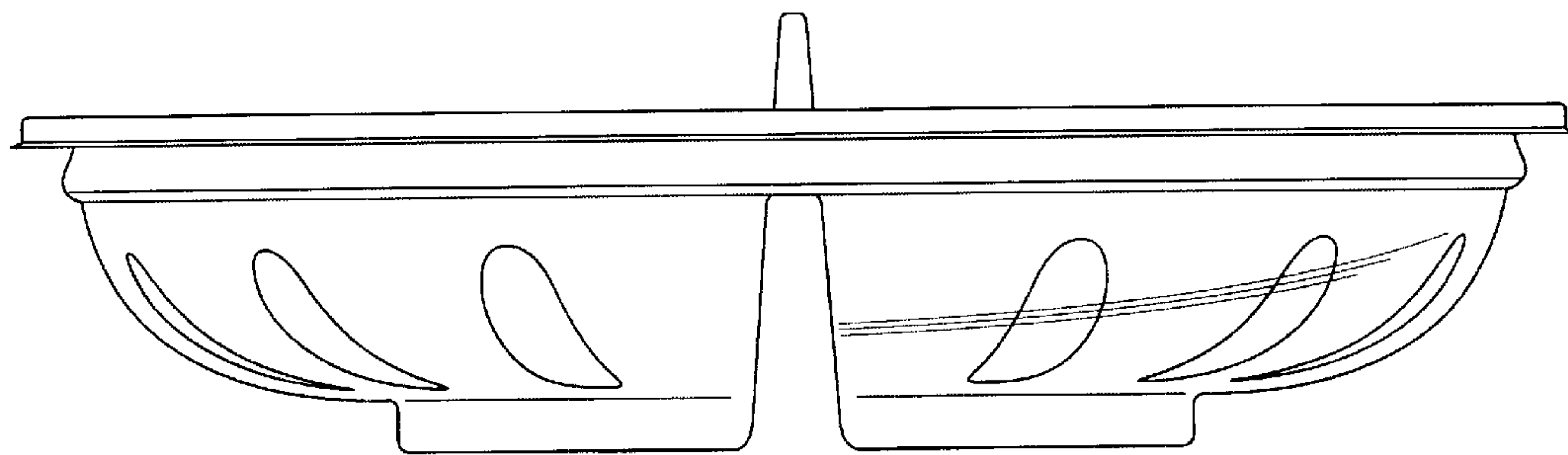


FIG 4

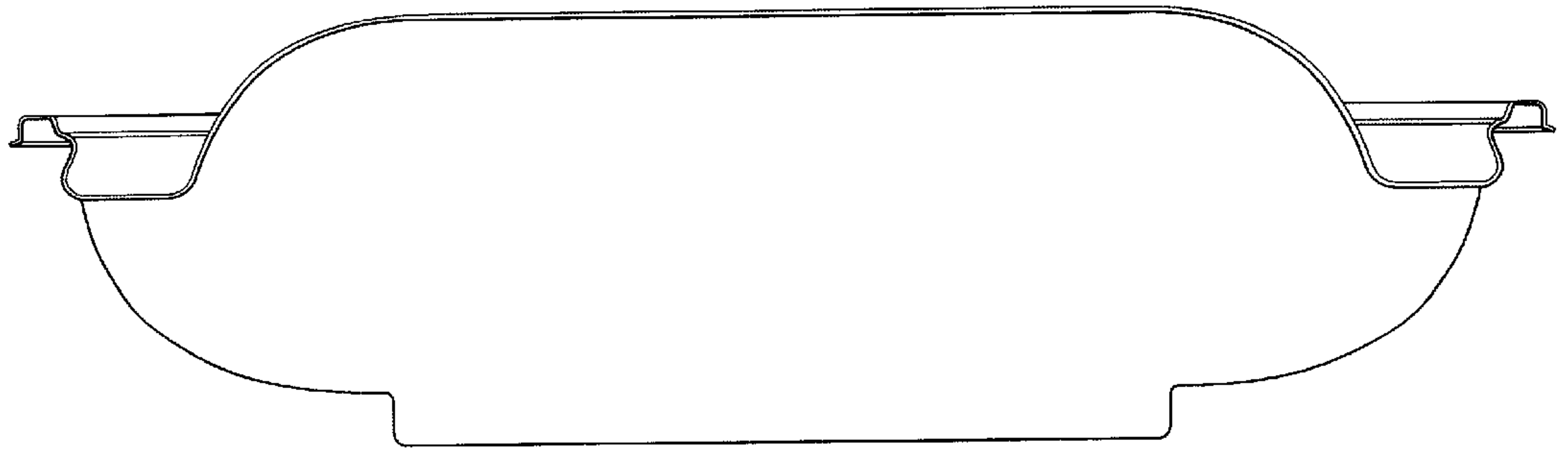


FIG 5

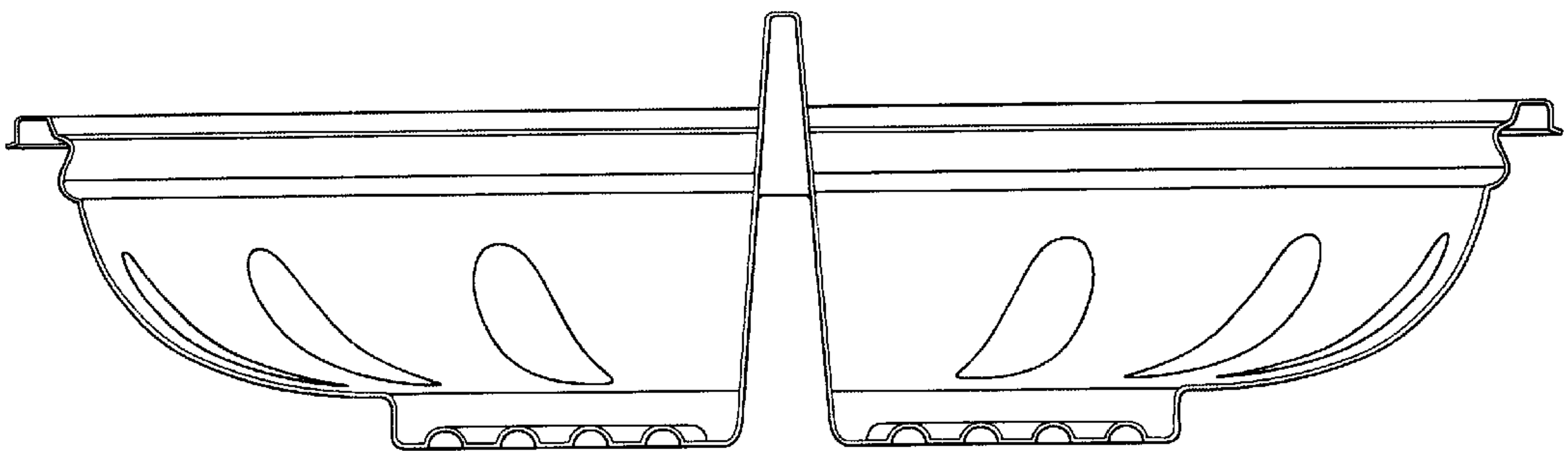


FIG 6

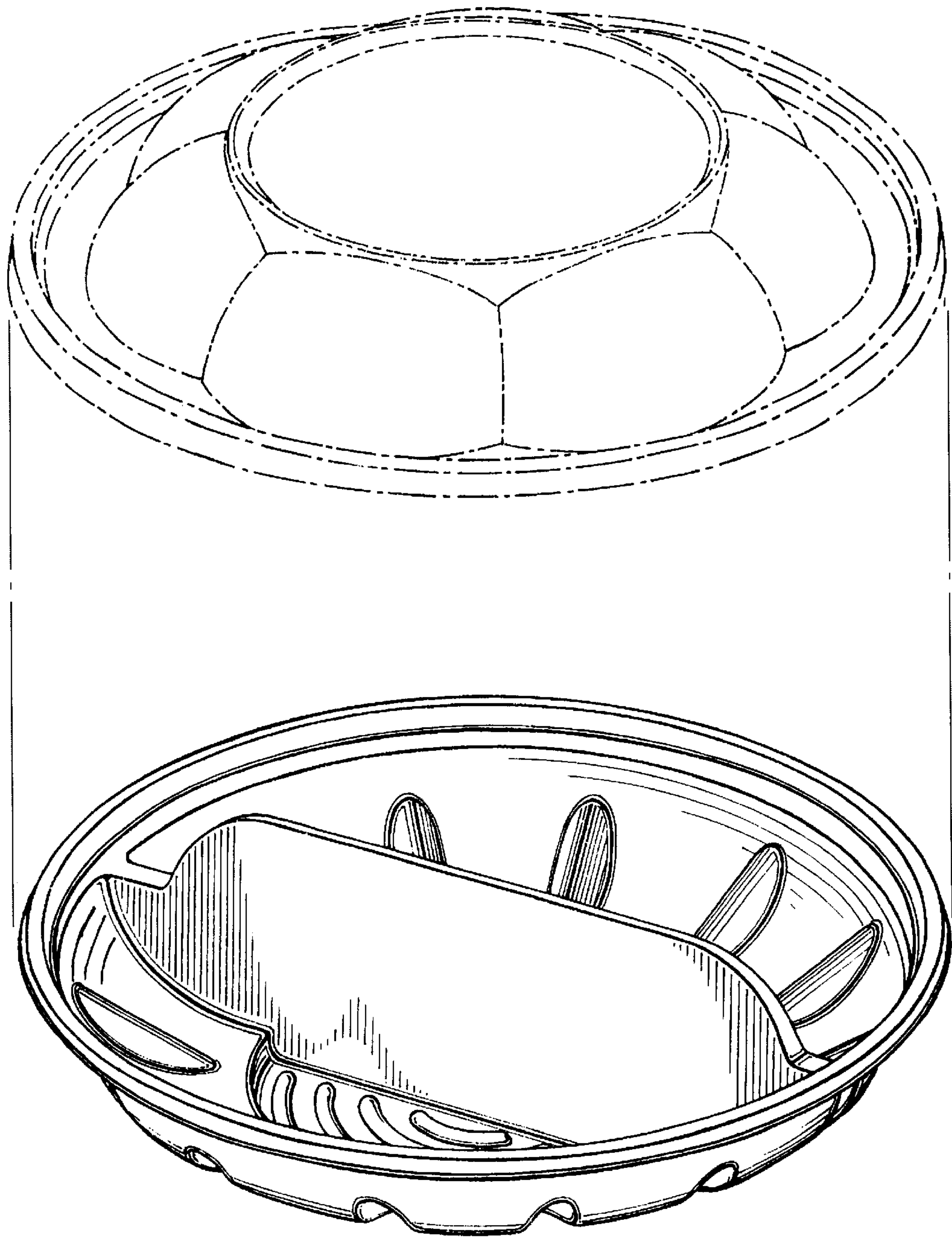


FIG 7