



US00D481940S

(12) **United States Design Patent** (10) **Patent No.:** **US D481,940 S**  
**O'Toole et al.** (45) **Date of Patent:** **\*\* Nov. 11, 2003**

(54) **DISPLAY PACKAGE**  
 (75) Inventors: **Lawrence O'Toole**, Philadelphia, PA (US); **Neal Menaged**, Rydal, PA (US)  
 (73) Assignee: **L&N Sales and Marketing, Inc.**, Hatboro, PA (US)  
 (\*\*) Term: **14 Years**  
 (21) Appl. No.: **29/166,011**  
 (22) Filed: **Aug. 21, 2002**  
 (51) **LOC (7) Cl.** ..... **09-03**  
 (52) **U.S. Cl.** ..... **D9/415**  
 (58) **Field of Search** ..... D9/414, 415, 418, D9/334, 335, 336; D3/20, 21, 22, 23, 24; 206/388, 278, 279, 280, 299, 460, 478, 477, 19, 423, 461-471, 806; 229/87.15; 223/85, 87

5,292,003 A \* 3/1994 Baghdassarian ..... 206/457  
 5,363,953 A 11/1994 Carter  
 5,441,061 A 8/1995 Jordan et al.  
 5,449,067 A \* 9/1995 Cannon ..... 206/388  
 D363,183 S 10/1995 Starck  
 5,515,966 A \* 5/1996 Hodge et al. .... 206/299  
 5,598,922 A 2/1997 Good  
 5,775,401 A 7/1998 Faurie  
 5,775,504 A 7/1998 Menaged  
 5,788,062 A 8/1998 Cerwin et al.  
 D408,669 S 4/1999 Kuo  
 D409,032 S 5/1999 Kuo  
 5,908,111 A \* 6/1999 Purdy ..... 206/471  
 6,006,909 A 12/1999 Dunne  
 D434,259 S 11/2000 Gastelum et al.  
 6,170,661 B1 \* 1/2001 Royal ..... 206/457  
 6,196,389 B1 3/2001 Buetter et al.

**FOREIGN PATENT DOCUMENTS**

CA	535701	1/1957
CH	400782	4/1966
DE	3018107	11/1981
EP	0080926	6/1983
FR	734477	10/1932
GB	584080	1/1947
SE	55884	8/1919

\* cited by examiner

*Primary Examiner*—Prabhakar Deshmukh  
(74) *Attorney, Agent, or Firm*—Drinker Biddle & Reath LLP

(57) **CLAIM**

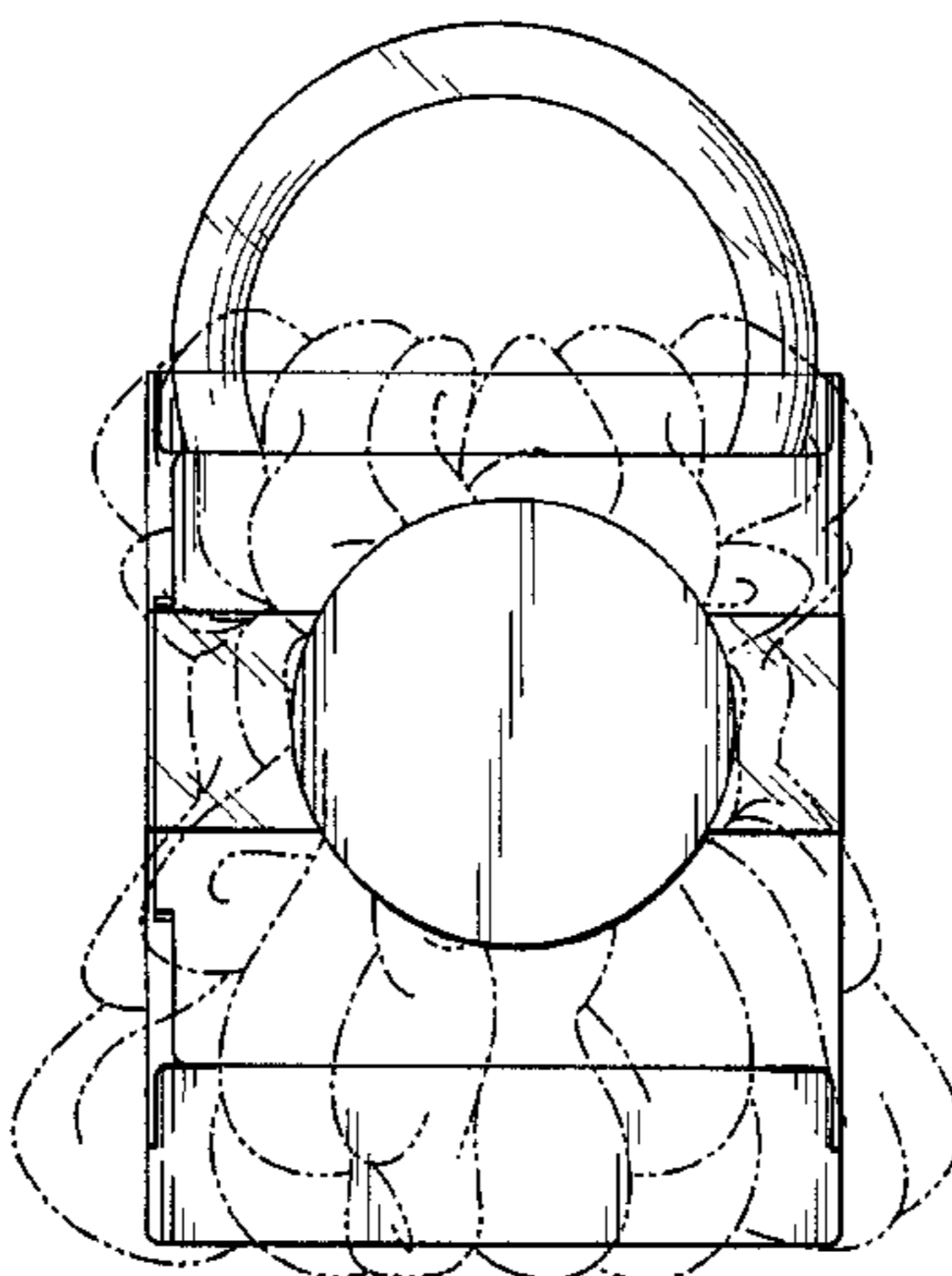
The ornamental design for a display package, as shown and described.

**DESCRIPTION**

FIG. 1 is a front elevational view of a display package showing our new design;  
 FIG. 2 is a rear elevational view;  
 FIG. 3 is a left side elevational view;  
 FIG. 4 is a right side elevational view;  
 FIG. 5 is a top plan view; and,  
 FIG. 6 is a bottom plan view.  
 The broken lines are for illustrative purpose only and form no part of the claimed design.

**1 Claim, 2 Drawing Sheets**

(56) **References Cited**  
**U.S. PATENT DOCUMENTS**  
 266,009 A 11/1882 Barrett  
 573,563 A 12/1896 Yeakel  
 676,578 A 6/1901 Ely  
 998,948 A 7/1911 Benze et al.  
 2,576,873 A 11/1951 Zelov  
 2,671,706 A 3/1954 Greengold  
 3,161,289 A 12/1964 Leysen  
 3,200,960 A 8/1965 Banse  
 3,329,386 A 7/1967 Rosen  
 3,402,501 A 9/1968 Davis  
 3,424,380 A \* 1/1969 Curran ..... D9/415 X  
 3,650,442 A 3/1972 Berns et al.  
 3,660,861 A 5/1972 Delmonico  
 D226,428 S \* 3/1973 Davis ..... D9/415  
 3,880,287 A 4/1975 Loeffelman  
 3,891,090 A \* 6/1975 Spiegel et al. .... 206/478  
 4,161,075 A 7/1979 Eubanks et al.  
 4,172,521 A 10/1979 Eubanks et al.  
 4,257,522 A 3/1981 Thorneburg  
 4,625,865 A 12/1986 Protz, Jr.  
 4,630,795 A 12/1986 Kagan  
 D294,907 S 3/1988 Pool  
 4,789,064 A \* 12/1988 Segal ..... 206/478  
 5,033,660 A 7/1991 Kelly  
 D342,676 S 12/1993 Wuttke



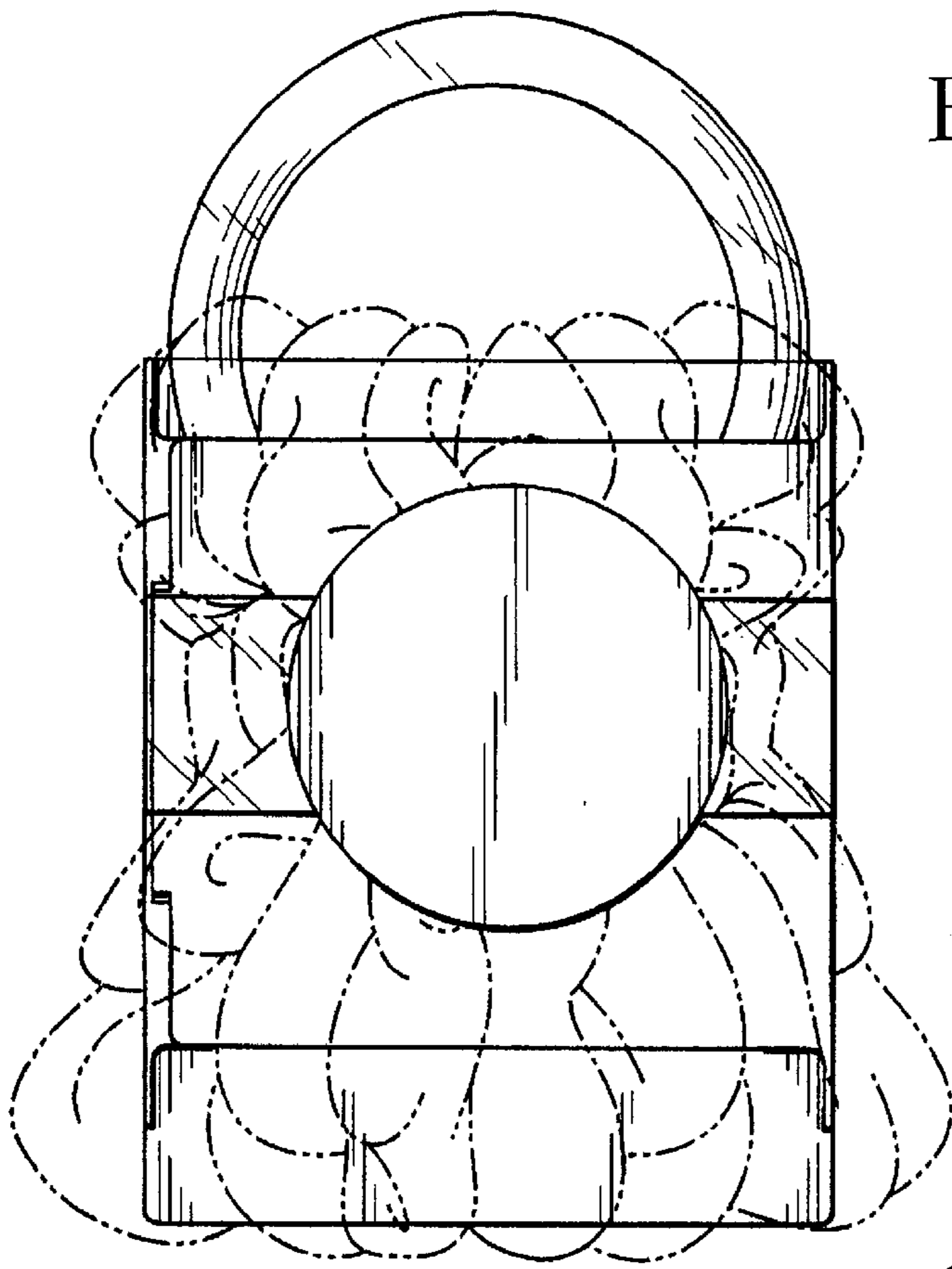


FIG. 1

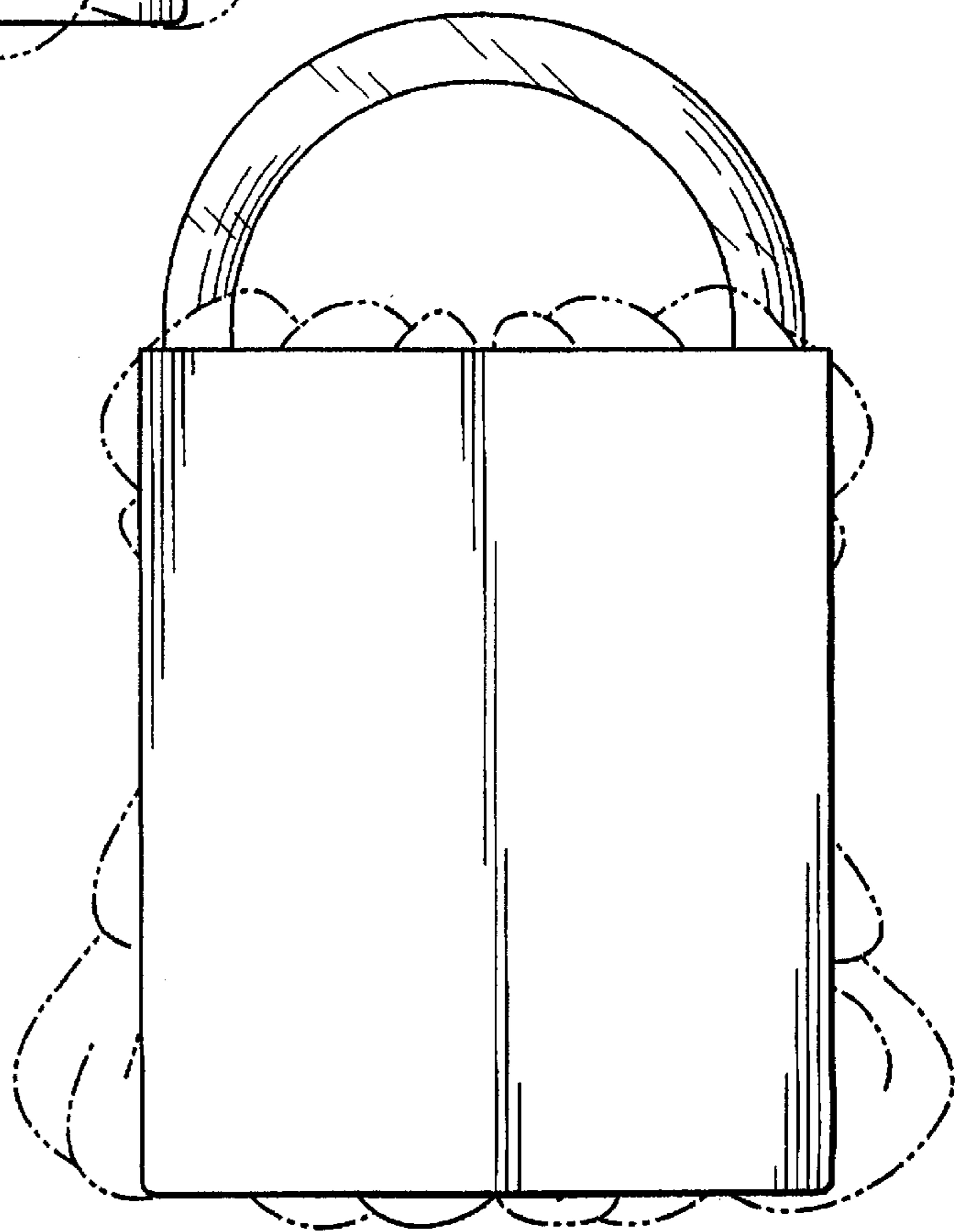


FIG. 2

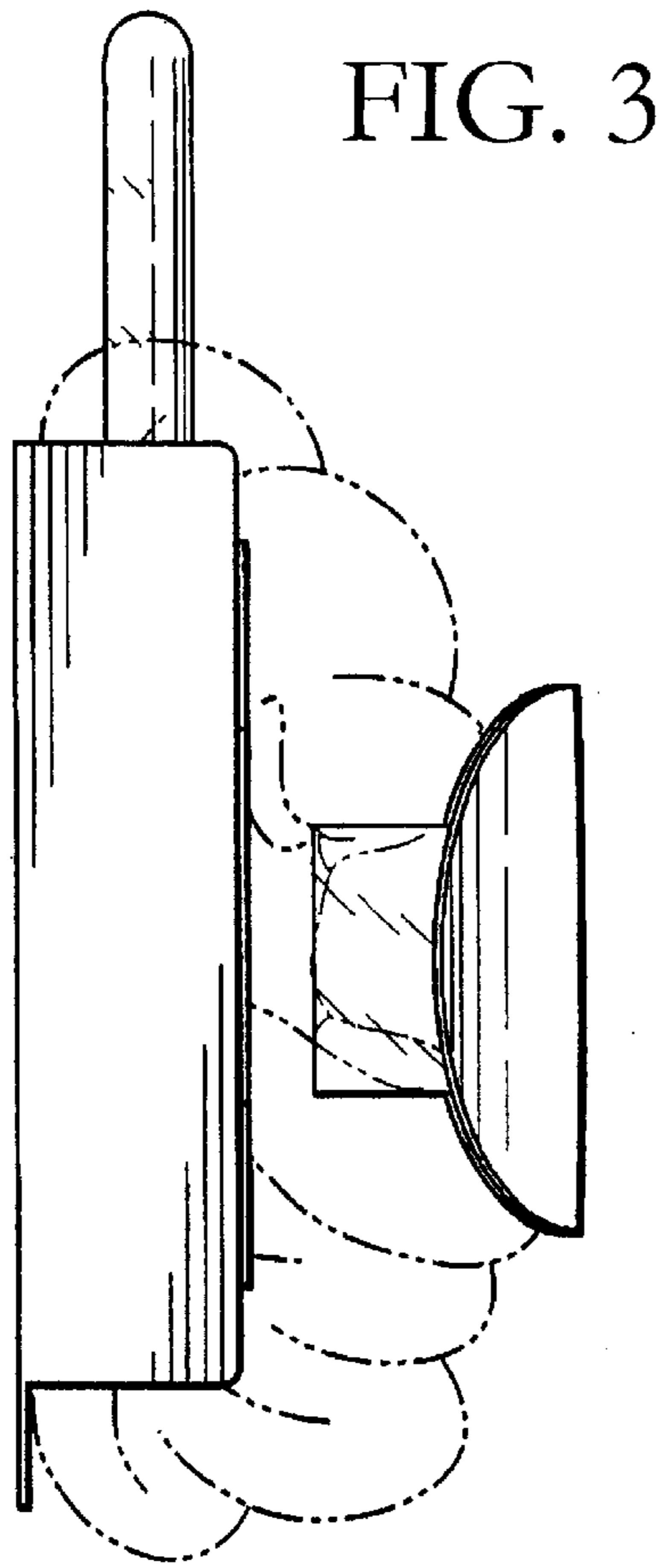


FIG. 3

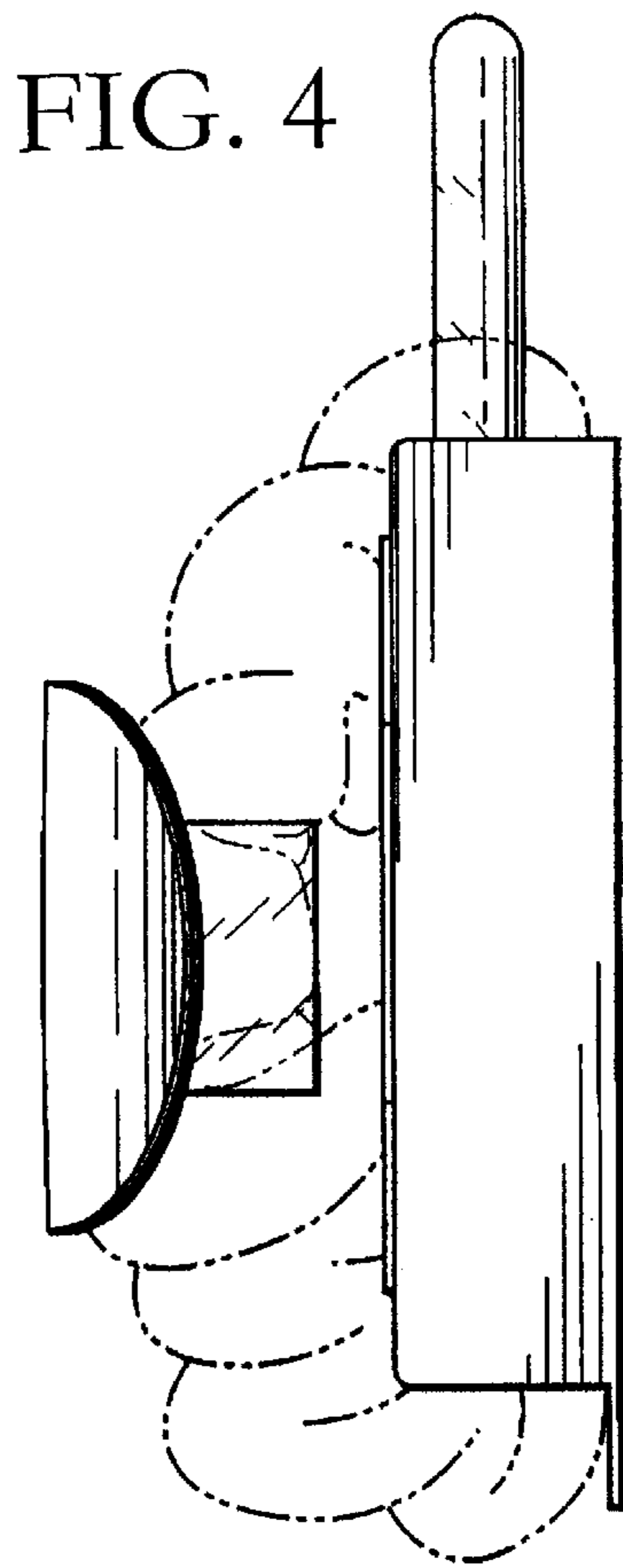


FIG. 4

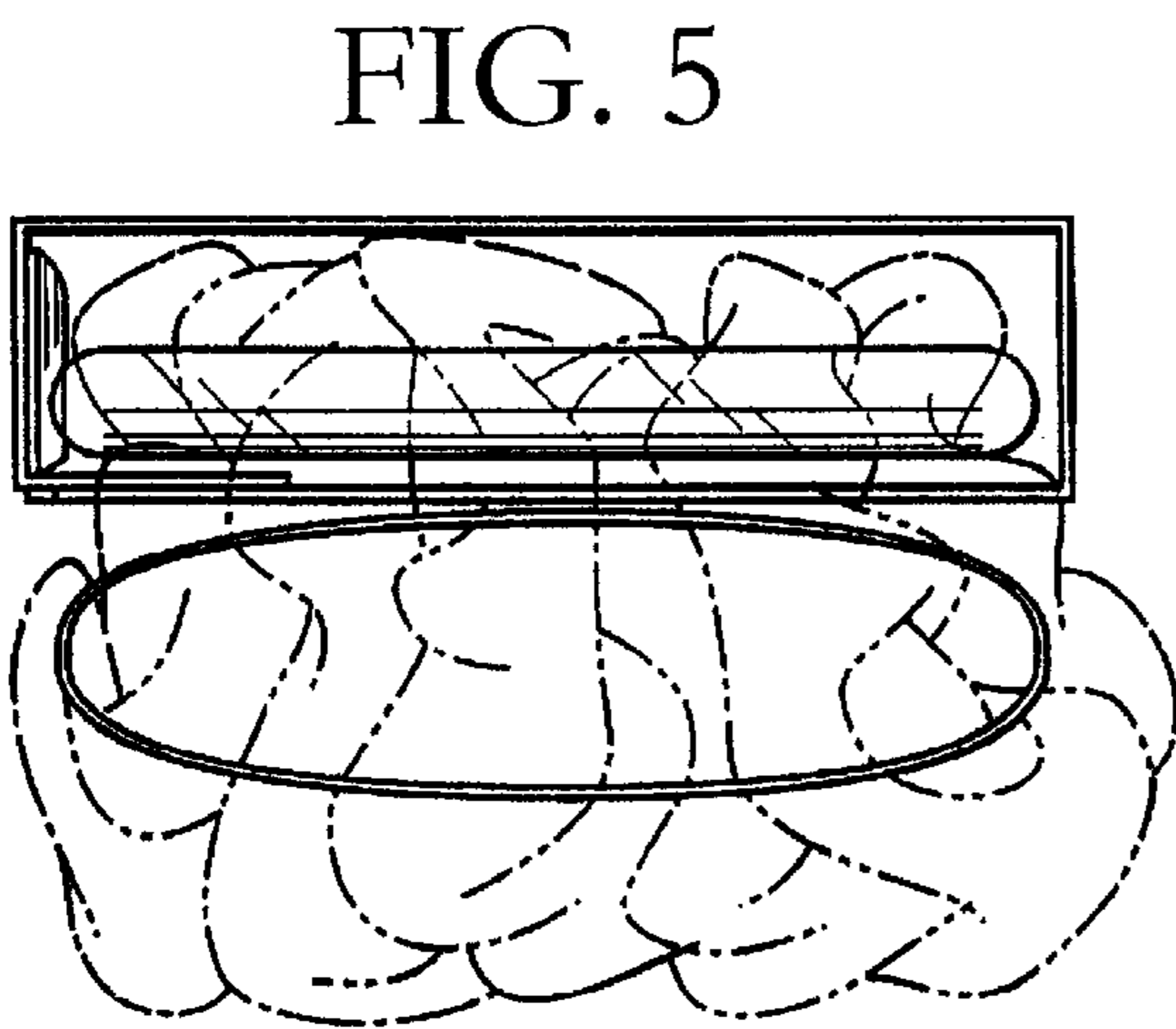


FIG. 5

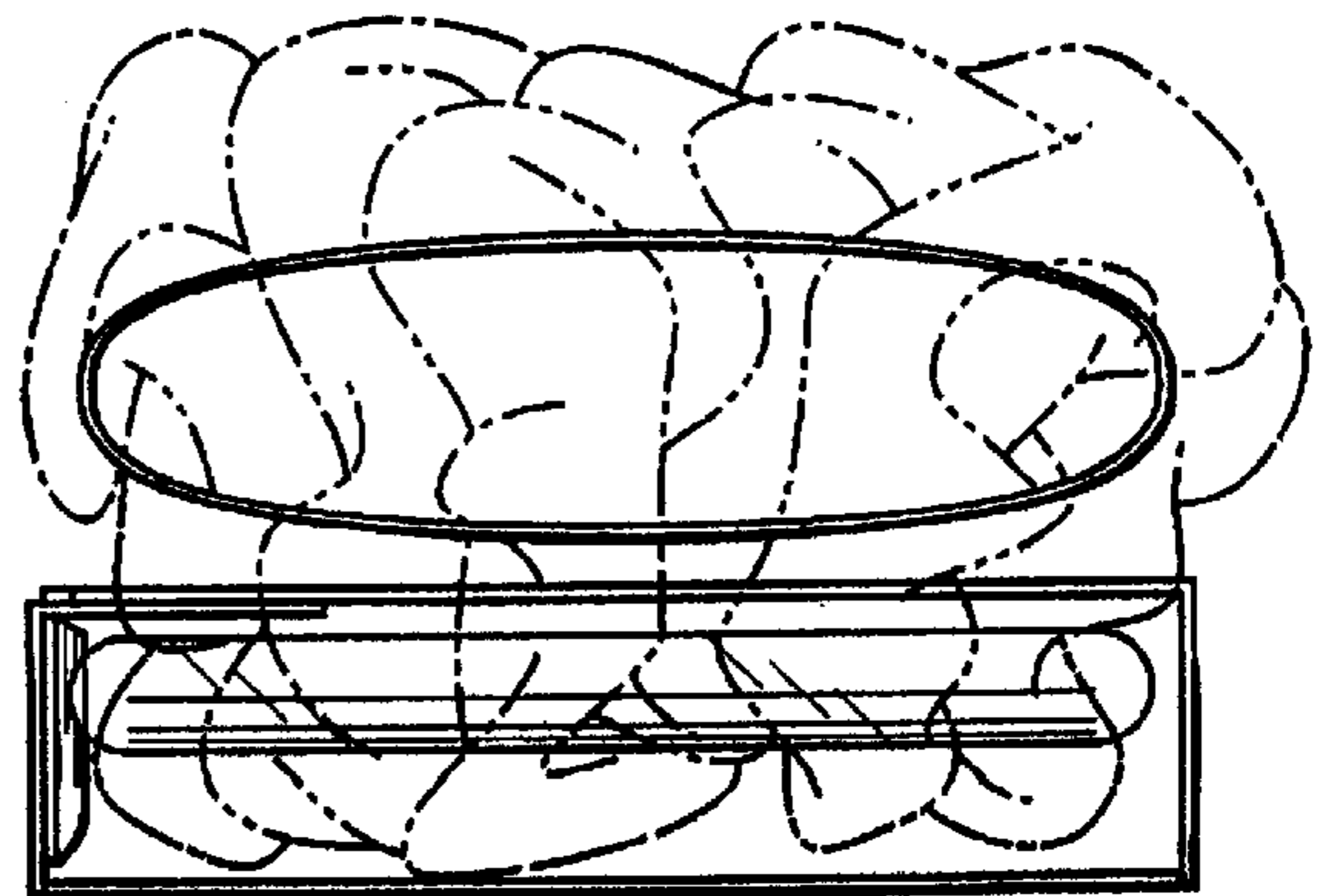


FIG. 6