



US00D481939S

(12) **United States Design Patent**
Shatan

(10) **Patent No.:** **US D481,939 S**

(45) **Date of Patent:** **** Nov. 11, 2003**

(54) **CARRIER FOR SOFT DRINK BOTTLES**

(75) Inventor: **Rony Shatan**, Tel Aviv (IL)

(73) Assignee: **Super-Plast Ltd.**, Petach Tikva (IL)

(**) Term: **14 Years**

(21) Appl. No.: **29/163,291**

(22) Filed: **Jul. 2, 2002**

(30) **Foreign Application Priority Data**

Feb. 12, 2002 (IL) 36151

(51) **LOC (7) Cl.** **09-03**

(52) **U.S. Cl.** **D9/344**

(58) **Field of Search** D9/341, 344, 346,
D9/415, 430, 433, 434, 443, 455, 499;
206/142, 151, 158, 194, 139, 140, 485,
494, 514, 527, 784; 220/23.83, 116, 500,
694, 696, 915.1; 229/117.09, 117.23, 120.01-120.02,
121

(56) **References Cited**

U.S. PATENT DOCUMENTS

| | | | | | |
|-------------|---|---------|----------------------|-------|----------|
| D194,855 S | * | 3/1963 | Lawrence, Jr. et al. | | D58/26 |
| D237,465 S | * | 11/1975 | Calvert | | D9/3 |
| D237,686 S | * | 11/1975 | Torokuei | | D9/3 |
| D248,371 S | * | 7/1978 | Davis | | D9/341 |
| 4,235,468 A | * | 11/1980 | Erickson | | 294/87.2 |
| D408,277 S | * | 4/1999 | Erickson | | D9/344 |
| D412,663 S | * | 8/1999 | Erickson | | D9/344 |

* cited by examiner

Primary Examiner—Ted Shooman

Assistant Examiner—Daniel Bui

(74) *Attorney, Agent, or Firm*—G.E. Ehrlich (1995) Ltd.

(57) **CLAIM**

The ornamental design for a carrier for soft drink bottles, as shown and described.

DESCRIPTION

FIG. 1 is a side view of the carrier for soft drink bottles with the handles thereof extended showing my new design, the other side being a mirror image thereof.

FIG. 2 is a top view of the carrier for soft drink bottles with the handles thereof extended showing my new design.

FIG. 3 is an end view of the carrier for soft drink bottles with the handles thereof extended showing my new design, the other end being a mirror image thereof.

FIG. 4 is a side view of the carrier for soft drink bottles with the handles thereof folded in a carrying position showing my new design, the other side being a mirror image thereof.

FIG. 5 is a top view of the carrier for soft drink bottles with the handles thereof folded in a carrying position showing my new design.

FIG. 6 is an end view of the carrier for soft drink bottles with the handles thereof folded in a carrying position showing my new design, the other end being a mirror image thereof.

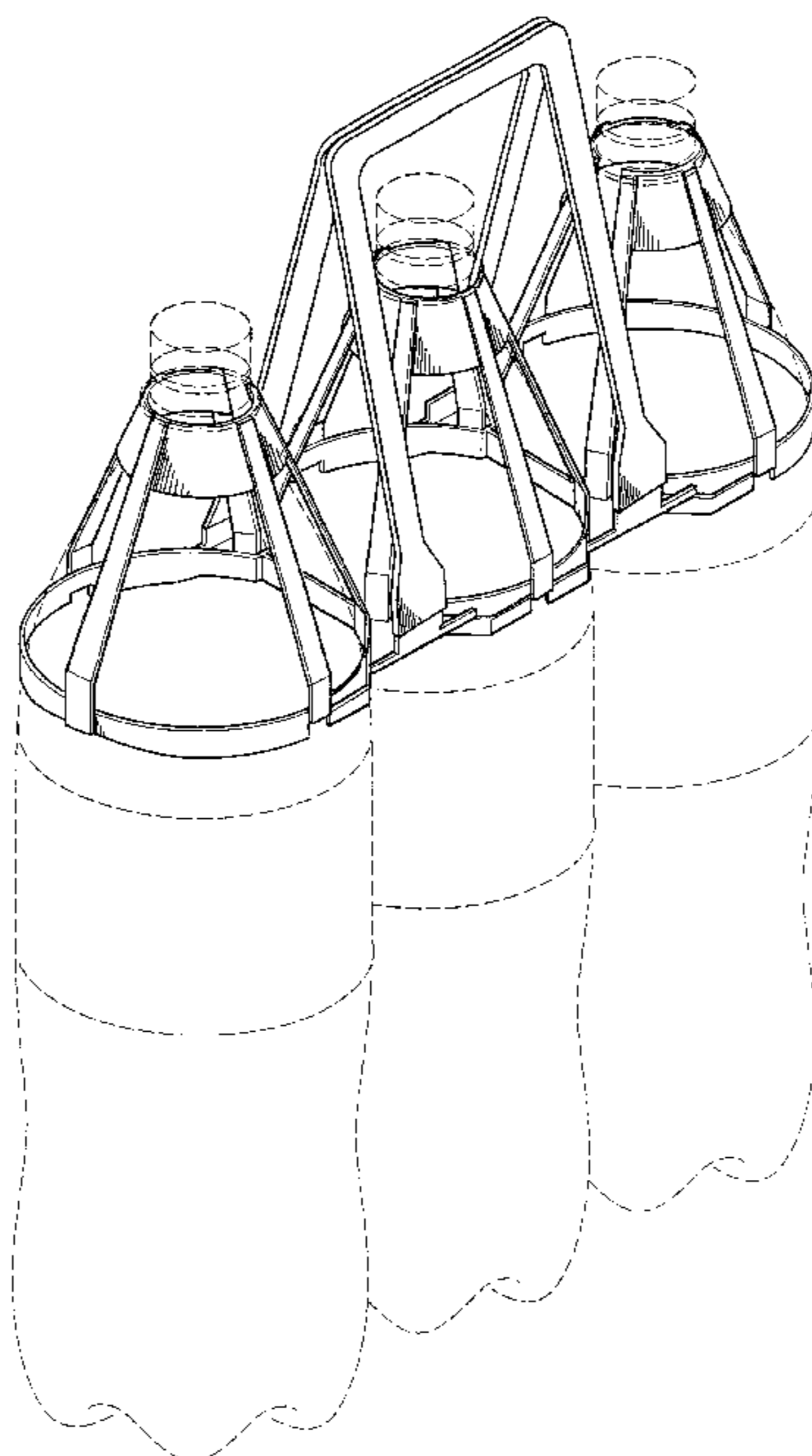
FIG. 7 is an enlarged perspective view of the carrier for soft drink bottles with the handles thereof folded in a carrying position showing my new design.

FIG. 8 is an enlarged view of the carrier for soft drink bottles with the handles thereof extended showing my new design; and,

FIG. 9 is an enlarged perspective view of the carrier for soft drink bottles with the handles thereof in a carrying position showing my new design.

The bottles are shown in broken lines for illustrative purposes only and are not part of the claimed design.

1 Claim, 5 Drawing Sheets



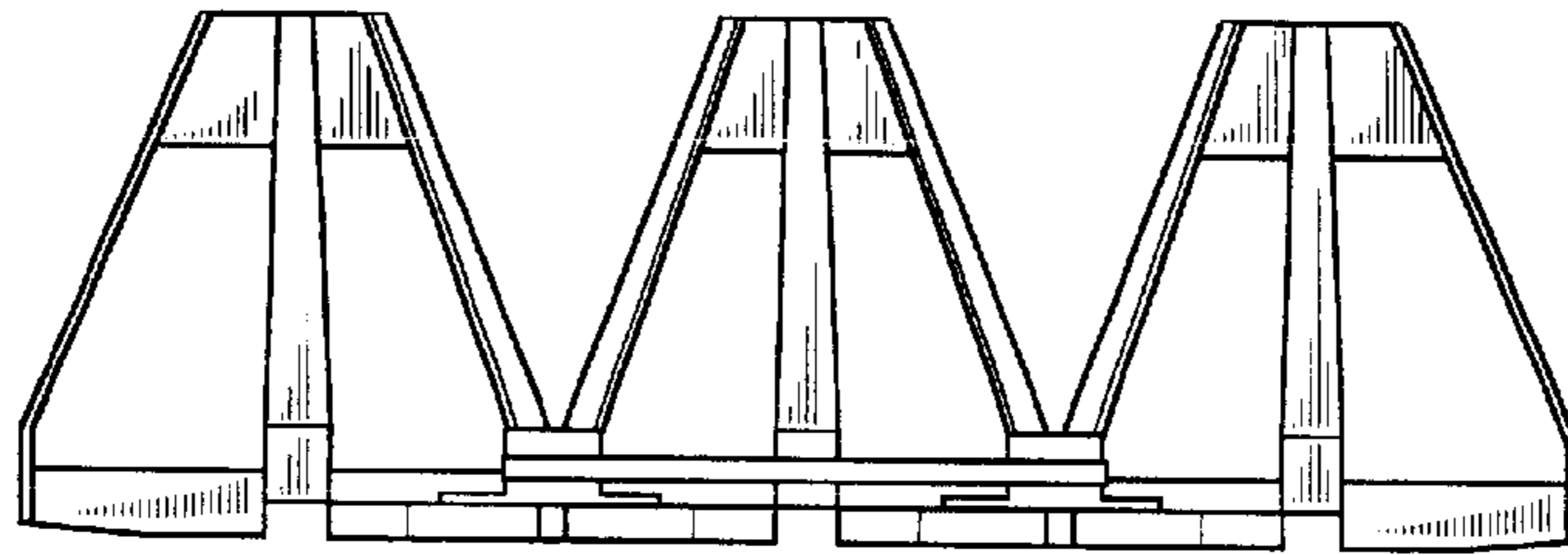


FIG. 1

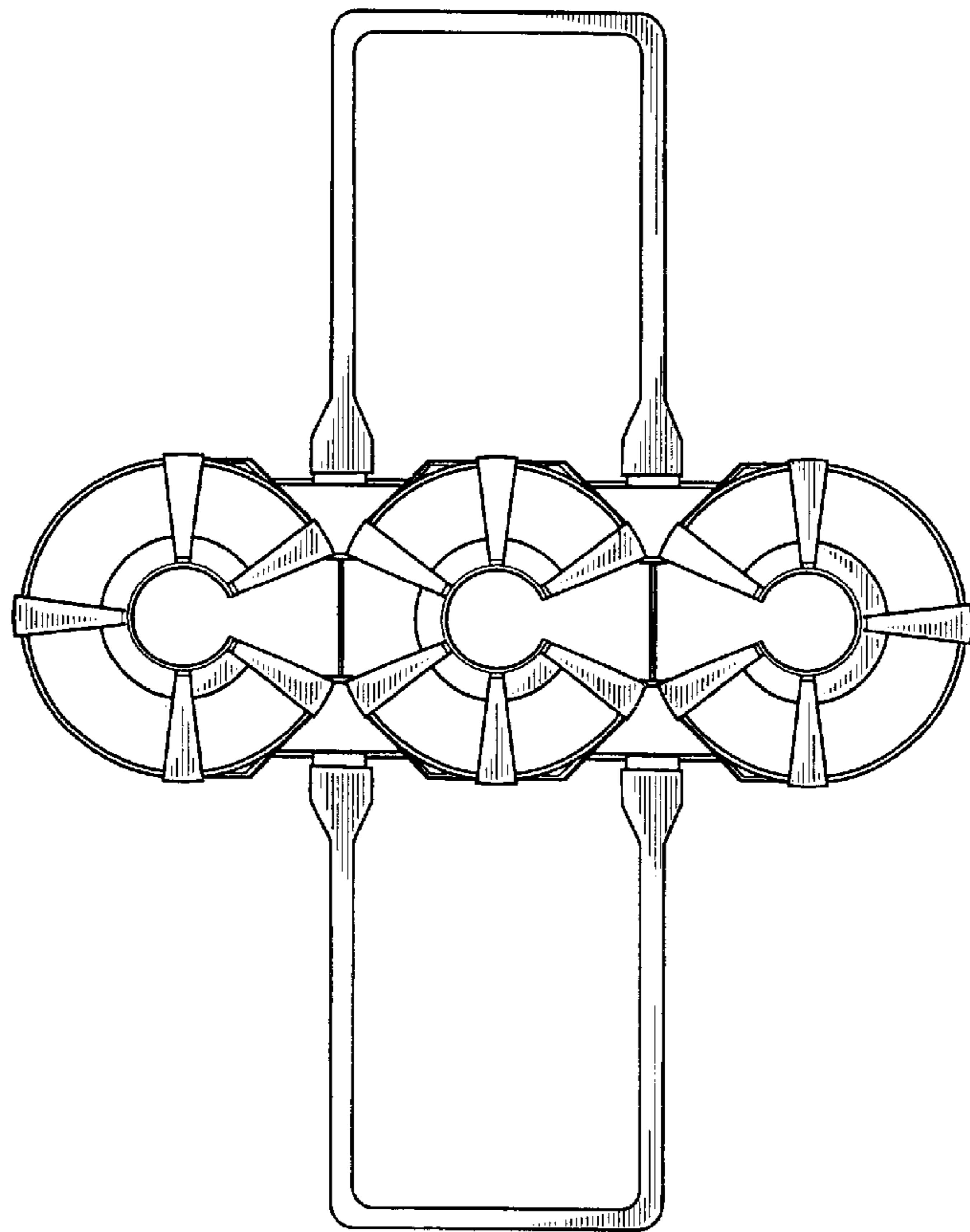


FIG. 2

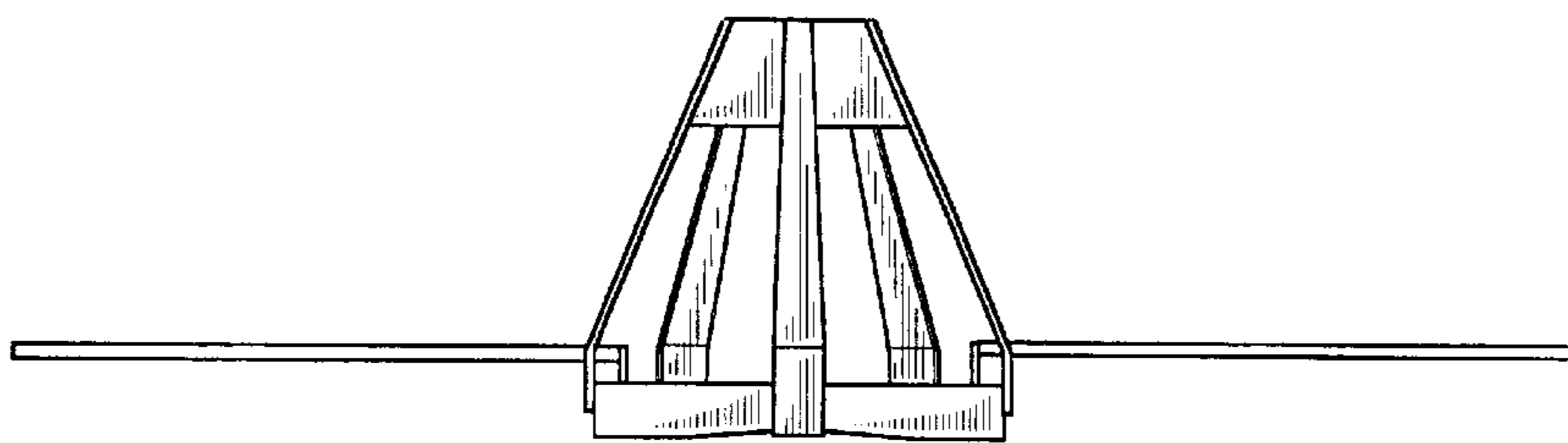


FIG. 3

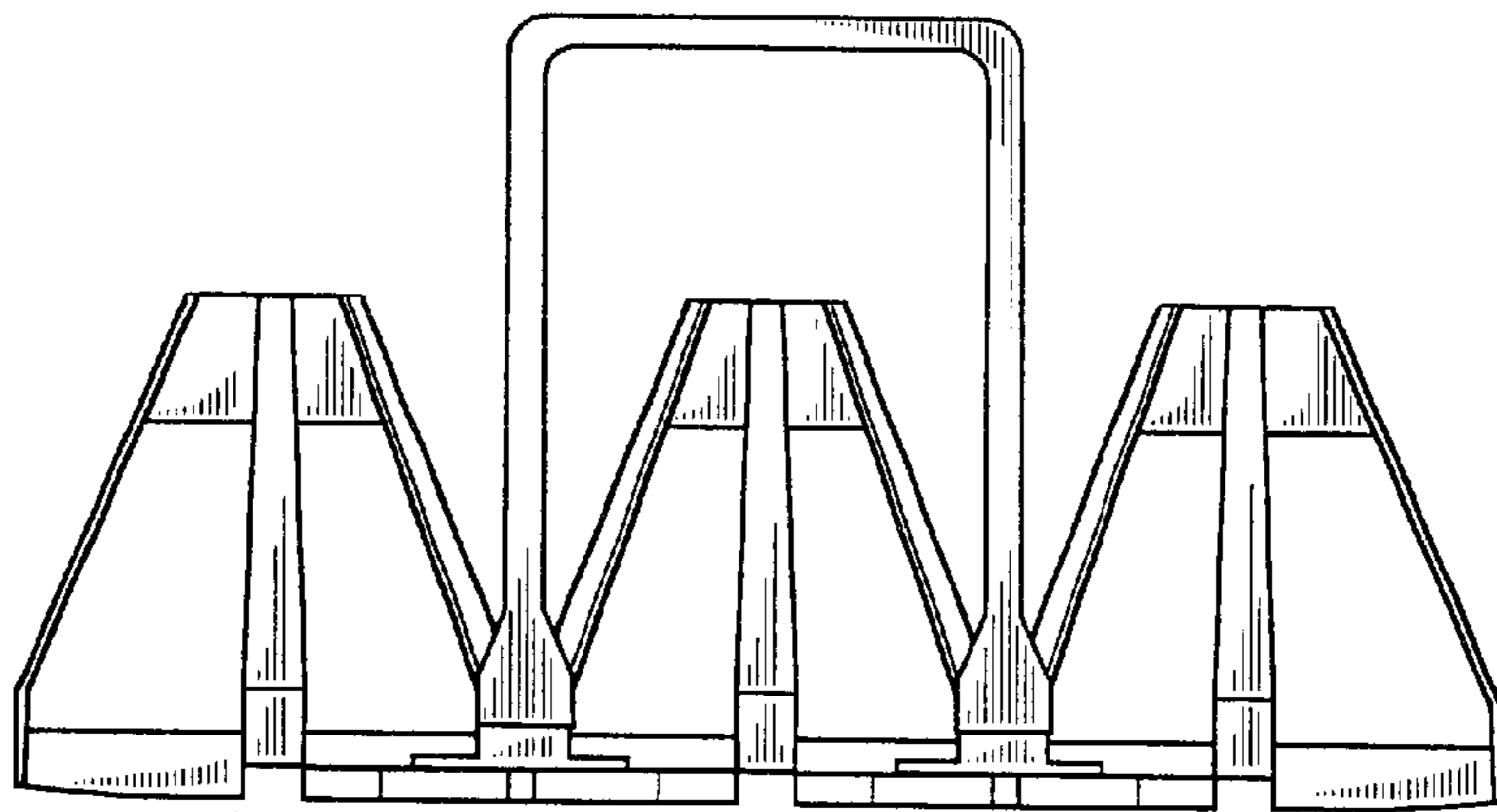


FIG. 4

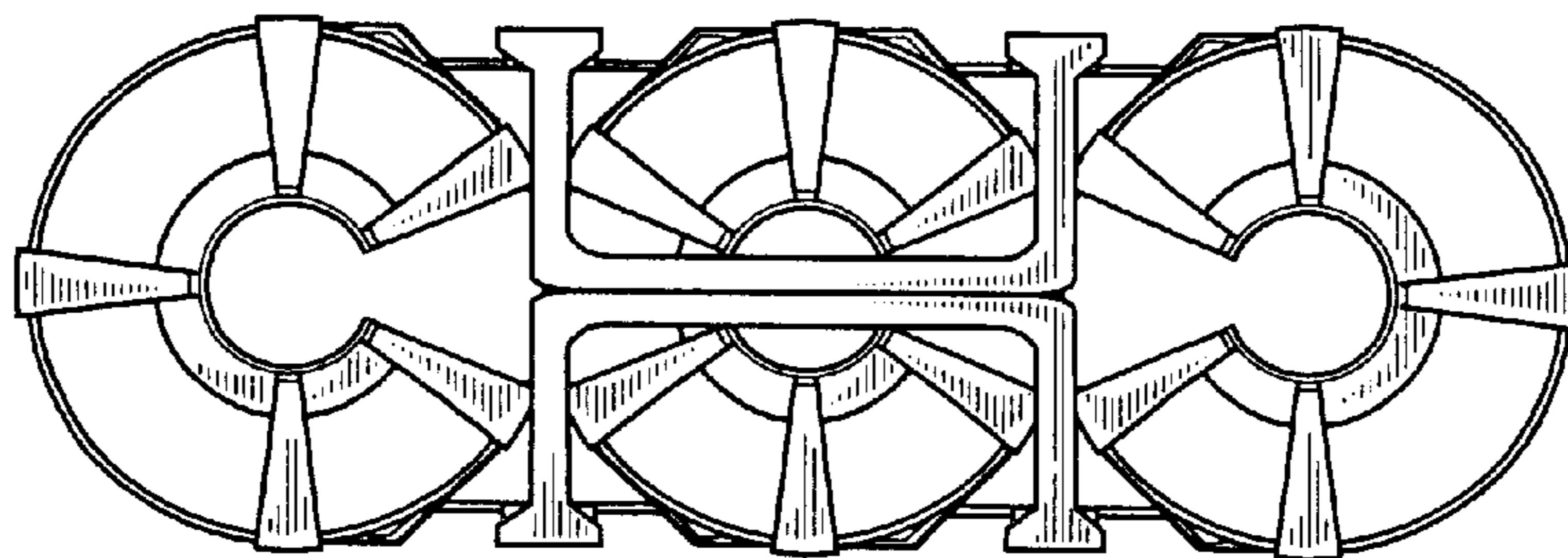


FIG. 5

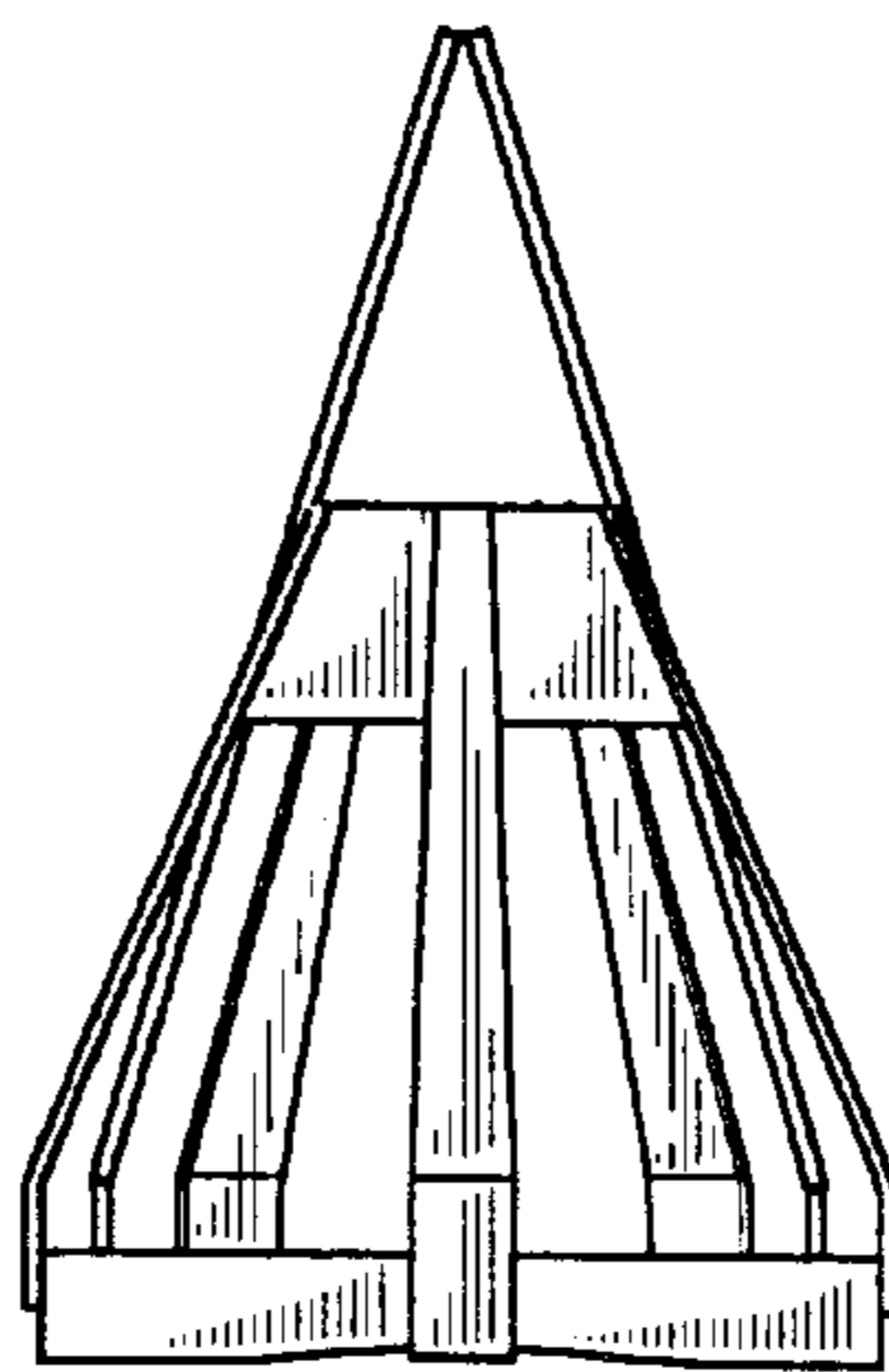


FIG. 6

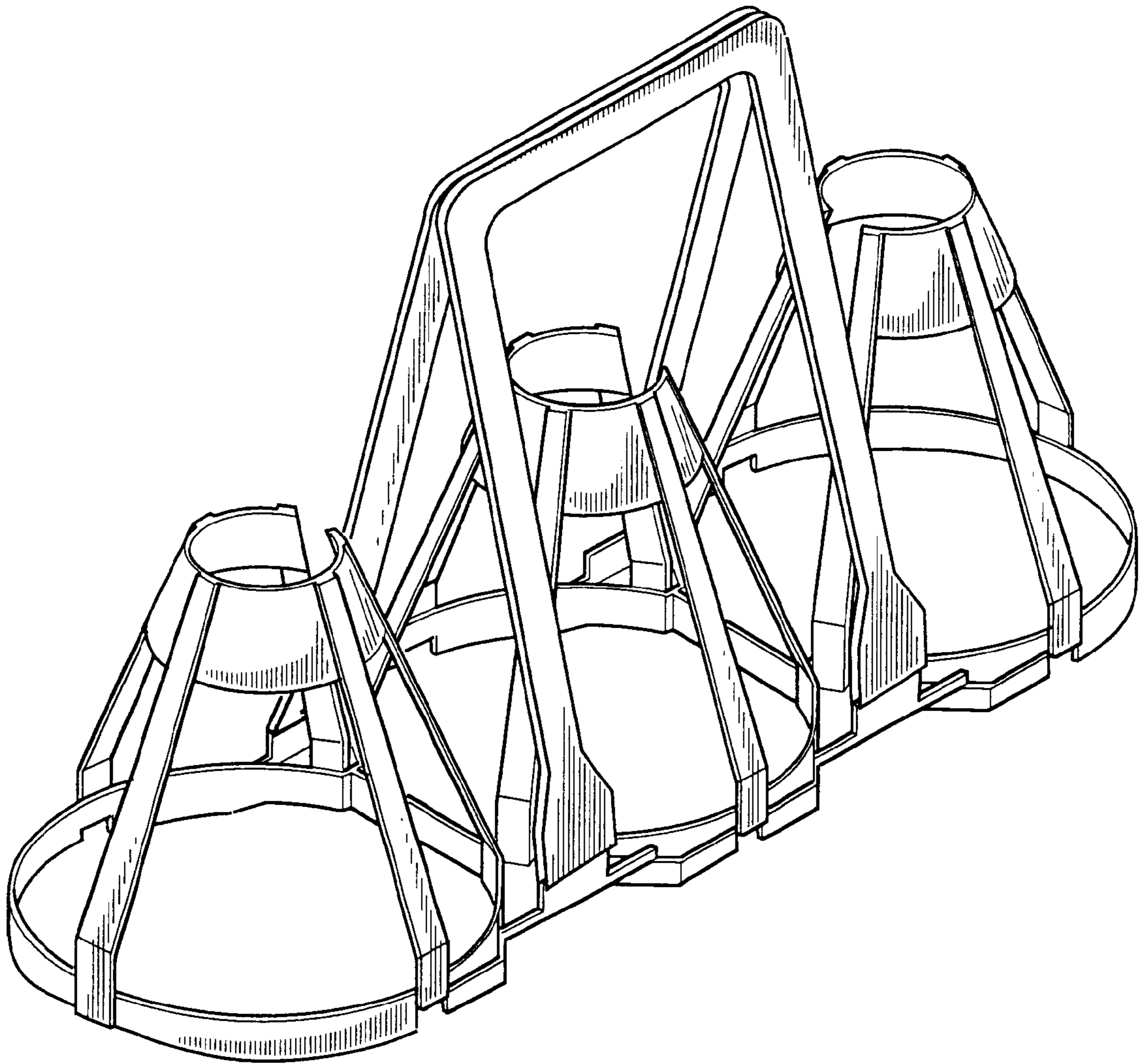


FIG. 7

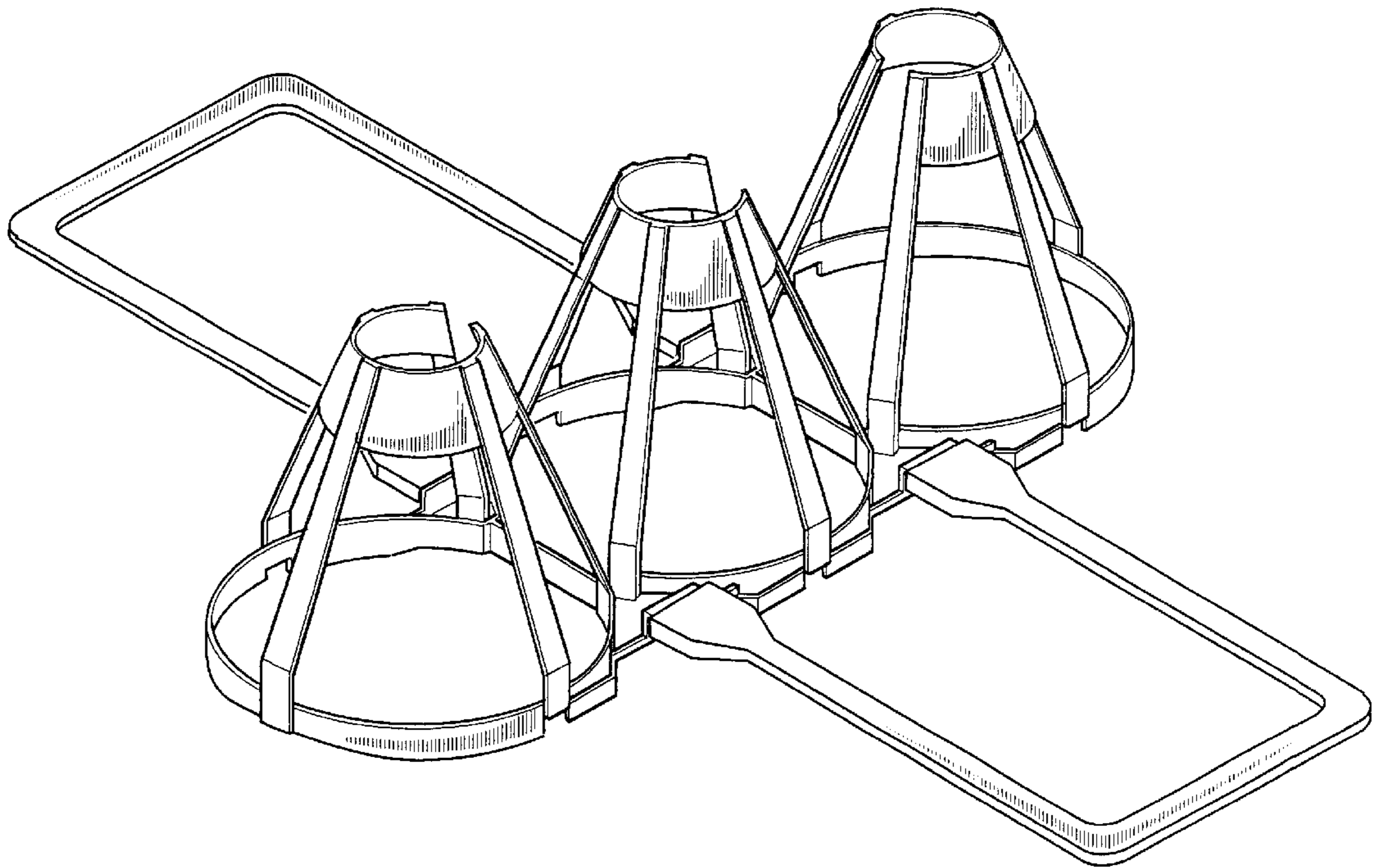


FIG. 8

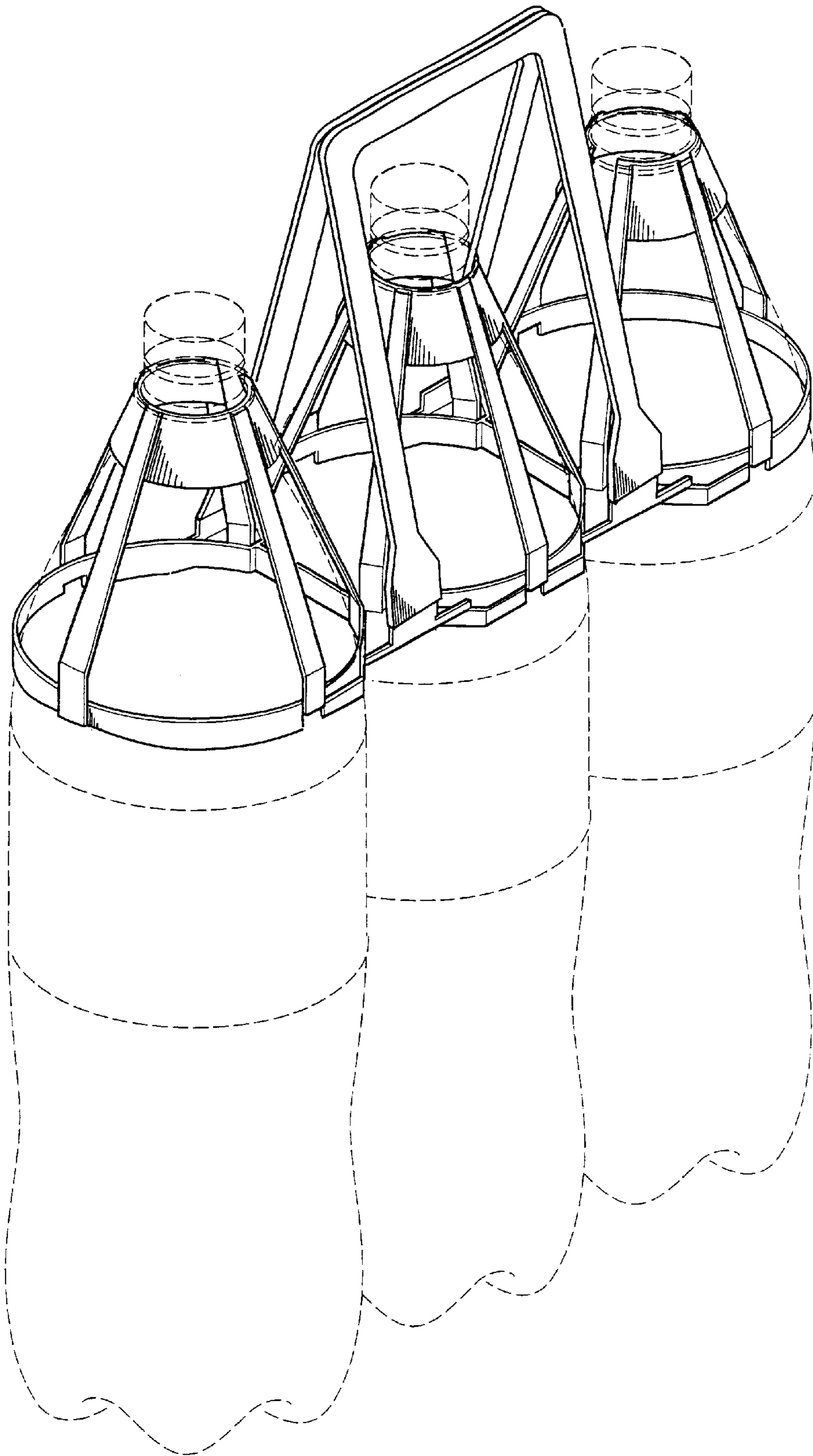


FIG. 9