



US00D481933S

(12) **United States Design Patent**
Smith et al.

(10) **Patent No.:** **US D481,933 S**

(45) **Date of Patent:** **** Nov. 11, 2003**

(54) **WINDOW OPERATOR HOUSING**

(75) Inventors: **Michael D. Smith**, Winnebago, IL (US); **Jacqueline M. Vossler**, Chicago, IL (US); **Christopher W. Chudek**, Atlanta, GA (US)

(73) Assignee: **Newell Operating Company**, Freeport, IL (US)

(**) Term: **14 Years**

(21) Appl. No.: **29/174,929**

(22) Filed: **Jan. 28, 2003**

(51) **LOC (7) Cl.** **08-09**

(52) **U.S. Cl.** **D8/400**

(58) **Field of Search** D8/400; 74/625; 160/188, 189; 16/49, 51, 66, 71, 121

(56) **References Cited**

U.S. PATENT DOCUMENTS

- D198,202 S * 5/1964 Morgan D8/400
- 4,083,264 A 4/1978 Van Klompenburg
- 4,189,248 A 2/1980 Sully
- 4,209,266 A 6/1980 Bowen et al.
- 4,253,276 A 3/1981 Peterson et al.
- 4,266,371 A 5/1981 Erdman et al.
- 4,305,228 A 12/1981 Nelson
- 4,346,372 A 8/1982 Sandberg
- 4,521,993 A 6/1985 Tacheny et al.
- 4,617,758 A 10/1986 Vetter
- 4,679,352 A 7/1987 Bates
- 4,860,493 A 8/1989 Lense
- 4,887,392 A 12/1989 Lense
- D350,666 S 9/1994 Wobschall et al.
- D361,490 S 8/1995 Vetter
- 5,440,839 A 8/1995 Piltingsrud
- 5,467,503 A 11/1995 Nolte et al.
- D365,513 S 12/1995 Vetter et al.

- 5,493,813 A 2/1996 Vetter et al.
- 5,531,045 A 7/1996 Piltingsrud
- 5,531,138 A 7/1996 Vetter
- D375,042 S 10/1996 Anderson et al.
- 5,560,082 A 10/1996 Vetter
- D375,254 S 11/1996 Anderson et al.
- D375,674 S 11/1996 Anderson et al.
- D379,917 S 6/1997 Vetter et al.
- D390,454 S 2/1998 Vetter et al.
- D408,274 S 4/1999 Vetter et al.
- D408,729 S 4/1999 Virkler et al.
- D418,050 S 12/1999 Lisiecki et al.
- D420,889 S * 2/2000 DePass D8/400 X
- 6,128,858 A 10/2000 Vetter et al.
- 6,164,156 A 12/2000 Purcell
- D457,422 S * 5/2002 Gledhill et al. D8/400

* cited by examiner

Primary Examiner—Brian N. Vinson

(74) *Attorney, Agent, or Firm*—Wallenstein, Wagner & Rockey, Ltd.

(57) **CLAIM**

We claim the ornamental Design for a window operator housing, as shown and described.

DESCRIPTION

FIG. 1 is a perspective view of a window operator housing showing our new design;

FIG. 2 is a side elevation view of the design, the other side elevation view of the design being a mirror image;

FIG. 3 is a front elevation view of the design;

FIG. 4 is a top plan view of the design; and,

FIG. 5 is a rear elevation view of the design.

The undisclosed bottom portion of the design is plain and unornamented.

The broken-line disclosure is for illustrative purposes only and forms no part of the claimed design.

1 Claim, 1 Drawing Sheet

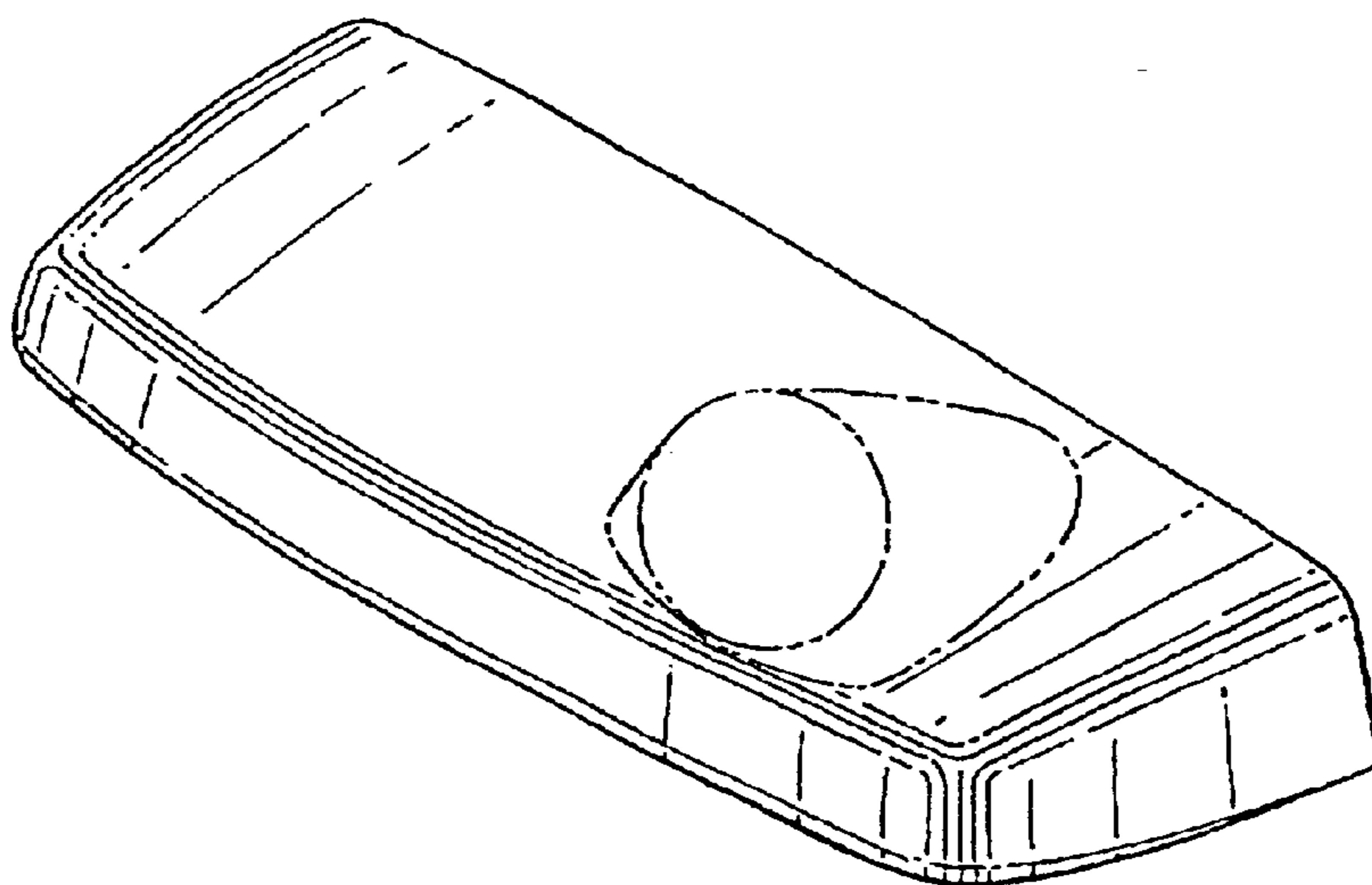


FIG. 1

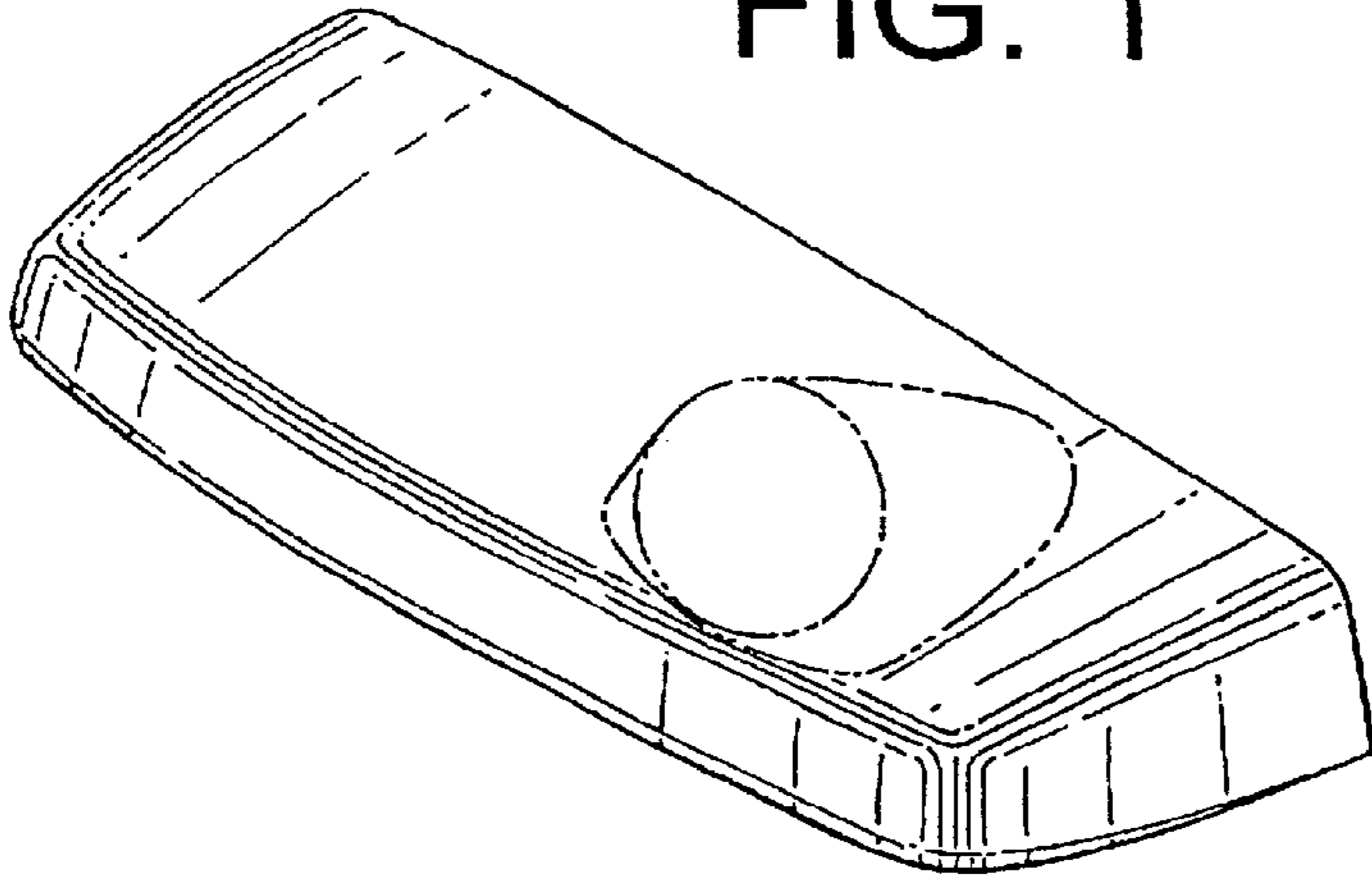


FIG. 2

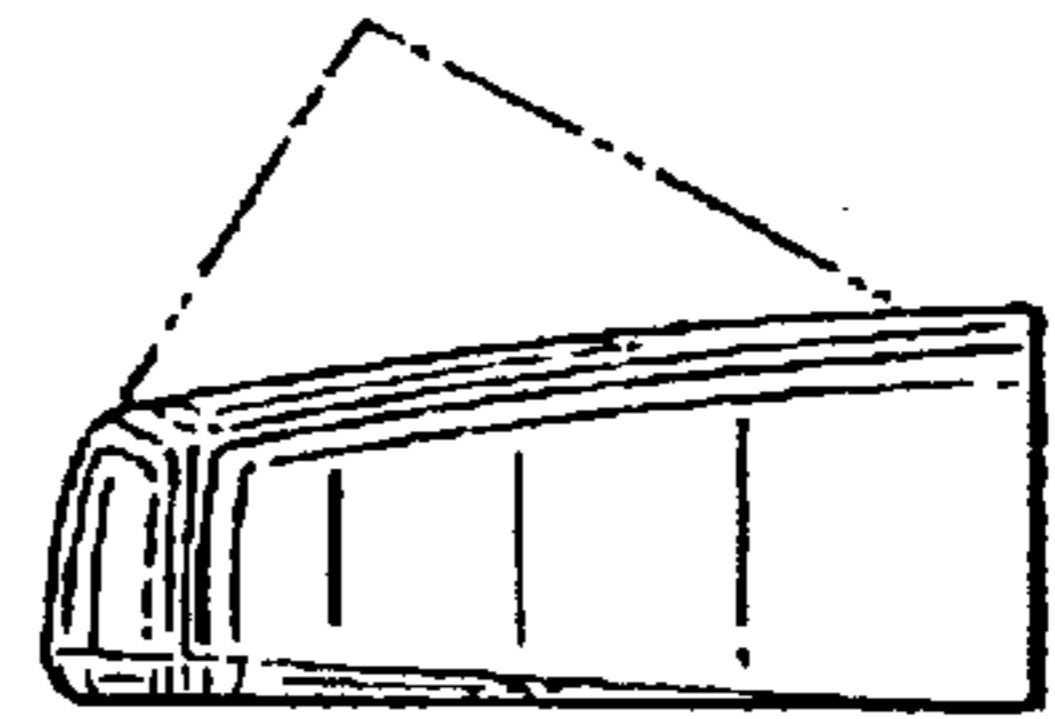


FIG. 3

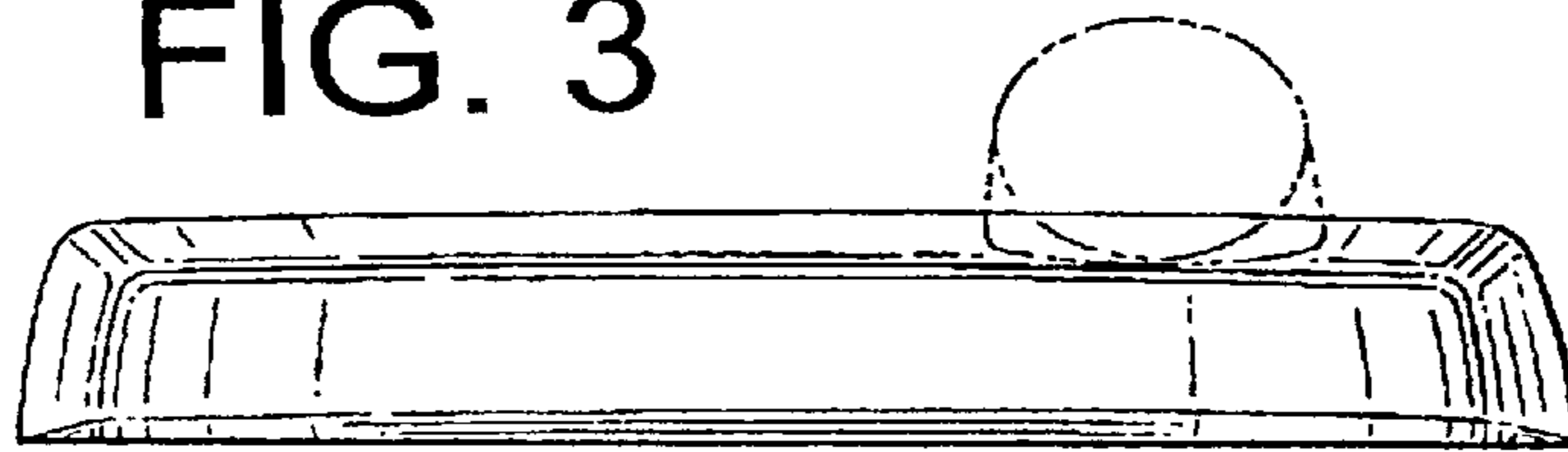


FIG. 4

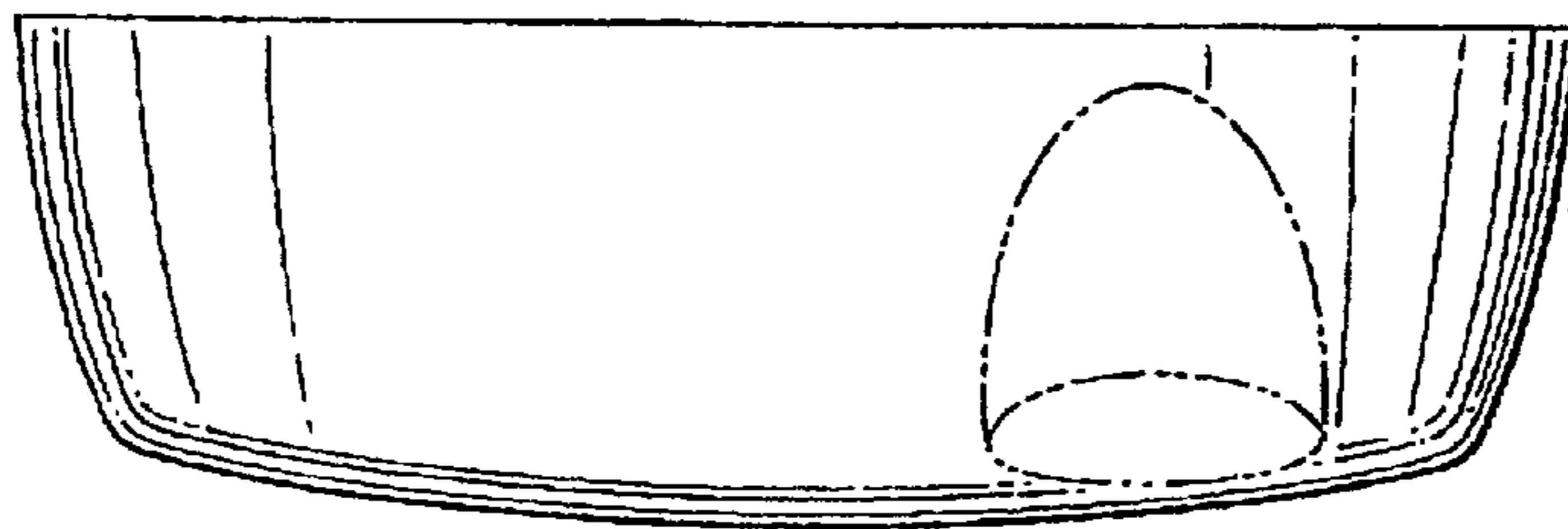


FIG. 5

