



US00D481932S

(12) **United States Design Patent**
Bess

(10) **Patent No.:** **US D481,932 S**

(45) **Date of Patent:** **** Nov. 11, 2003**

(54) **CLIP FOR VINYL SIDING**

(74) *Attorney, Agent, or Firm*—James E. Walton

(76) **Inventor:** **Steven W. Bess**, 2520 Westpark Way
Cir., Euless, TX (US) 76040

(57) **CLAIM**

(**) **Term:** **14 Years**

The ornamental design for a clip for vinyl siding, as shown and described.

(21) **Appl. No.:** **29/176,284**

DESCRIPTION

(22) **Filed:** **Feb. 18, 2003**

FIG. 1 is a perspective view of the clip for vinyl siding according to the present invention;

(51) **LOC (7) Cl.** **08-08**

FIG. 2 is a front view of the clip for vinyl siding according to the present invention;

(52) **U.S. Cl.** **D8/394; D25/199; D25/141**

FIG. 3 is a right side view of the clip for vinyl siding according to the present invention;

(58) **Field of Search** D8/394, 395, 382;
D25/141, 199, 119; 24/455, 457, 458, 570,
462; 49/490.1

FIG. 4 is a left side view of the clip for vinyl siding according to the present invention;

(56) **References Cited**

FIG. 5 is a rear view of the clip for vinyl siding according to the present invention;

U.S. PATENT DOCUMENTS

FIG. 6 is a top view of the clip for vinyl siding according to the present invention; and,

| | | | | | | |
|-----------|---|---|---------|-------------|-------|----------|
| 2,428,731 | A | * | 10/1947 | Abrams | | 49/490.1 |
| 3,225,407 | A | * | 12/1965 | Daniels | | 24/462 |
| D323,453 | S | * | 1/1992 | Walther | | D8/395 |
| D379,299 | S | * | 5/1997 | Fitzgibbons | | D8/395 |
| D471,794 | S | * | 3/2003 | Wall | | D25/119 |

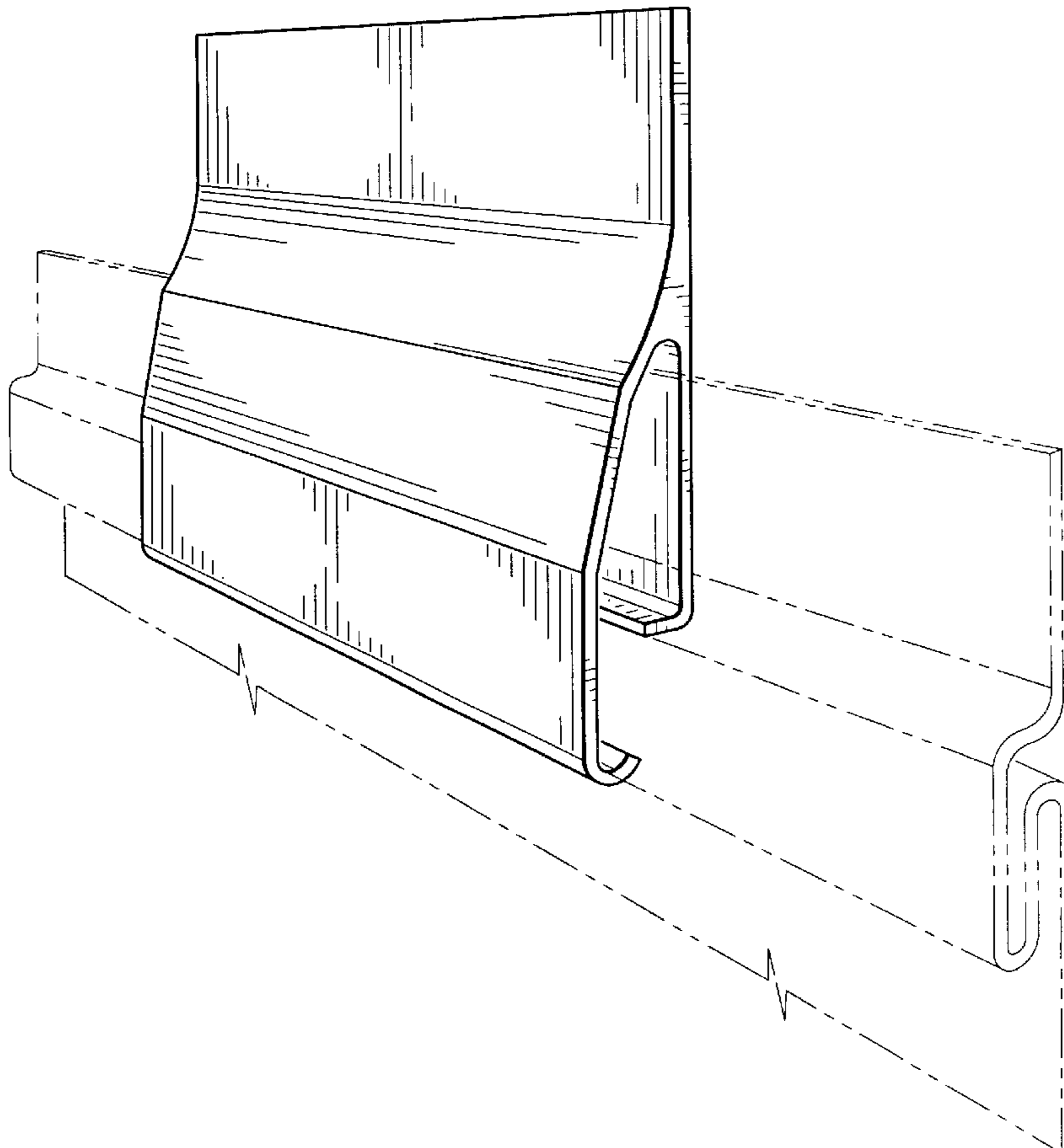
FIG. 7 is a bottom view of the clip for vinyl siding according to the present invention.

* cited by examiner

The broken lines are for illustrative purposes only and form no part of the claimed invention.

Primary Examiner—Louis S. Zarfaz
Assistant Examiner—Gregory Andoll

1 Claim, 2 Drawing Sheets



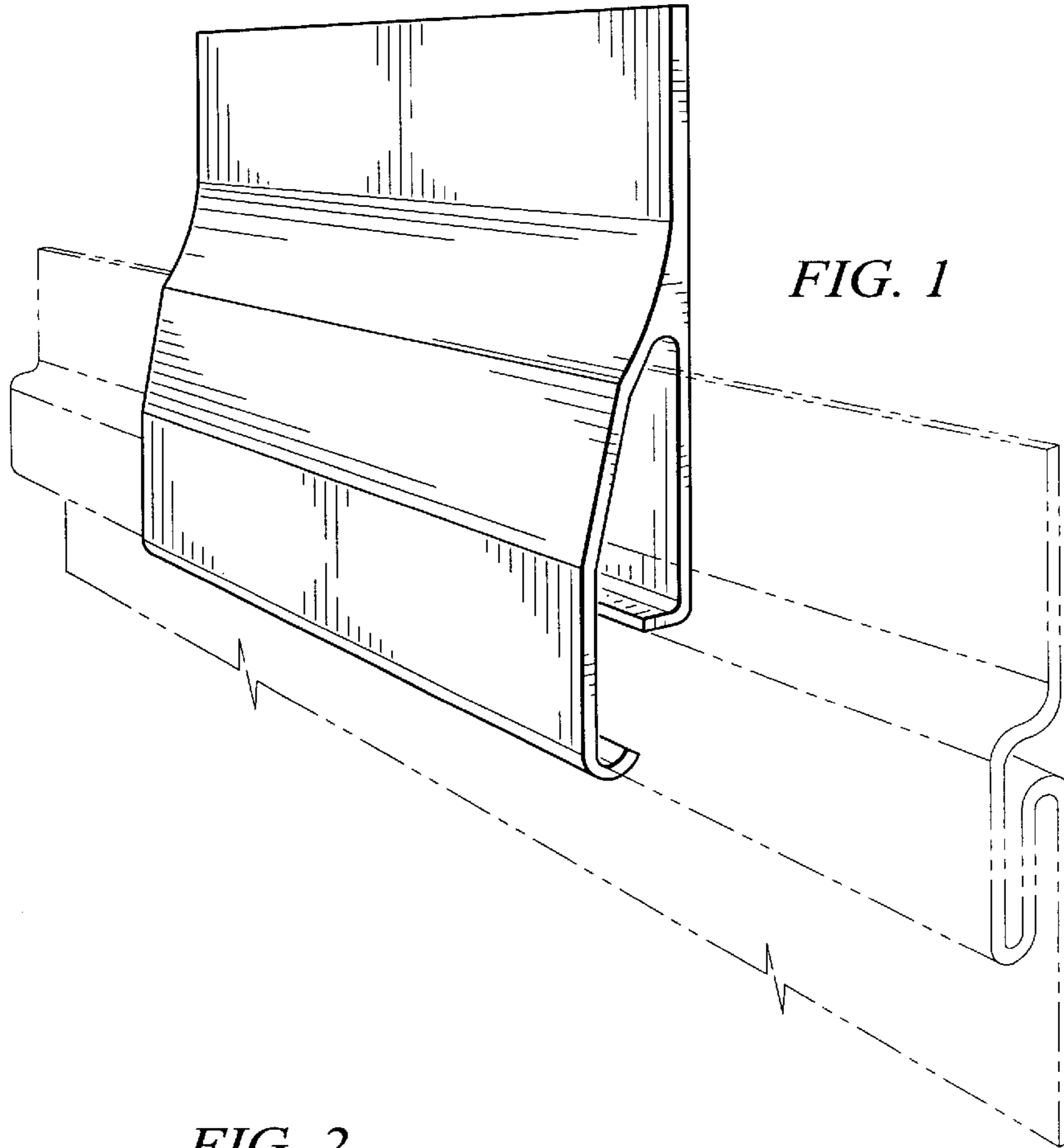


FIG. 2

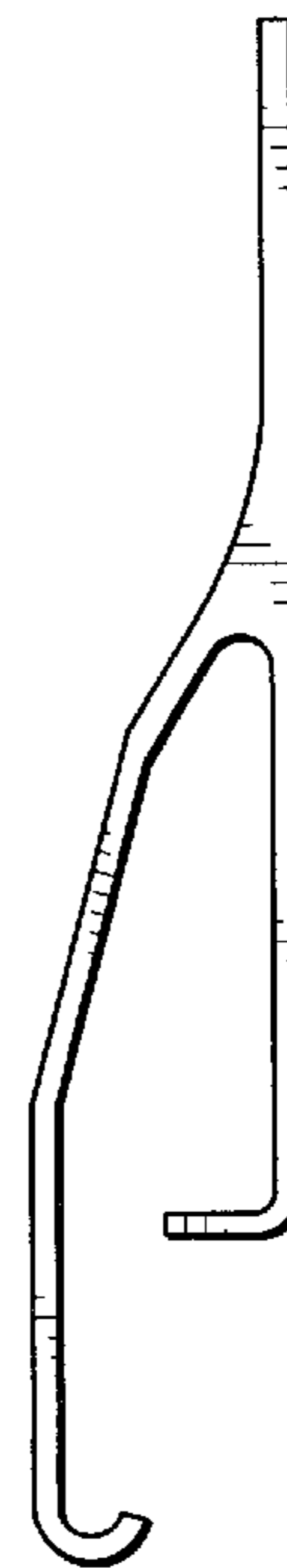
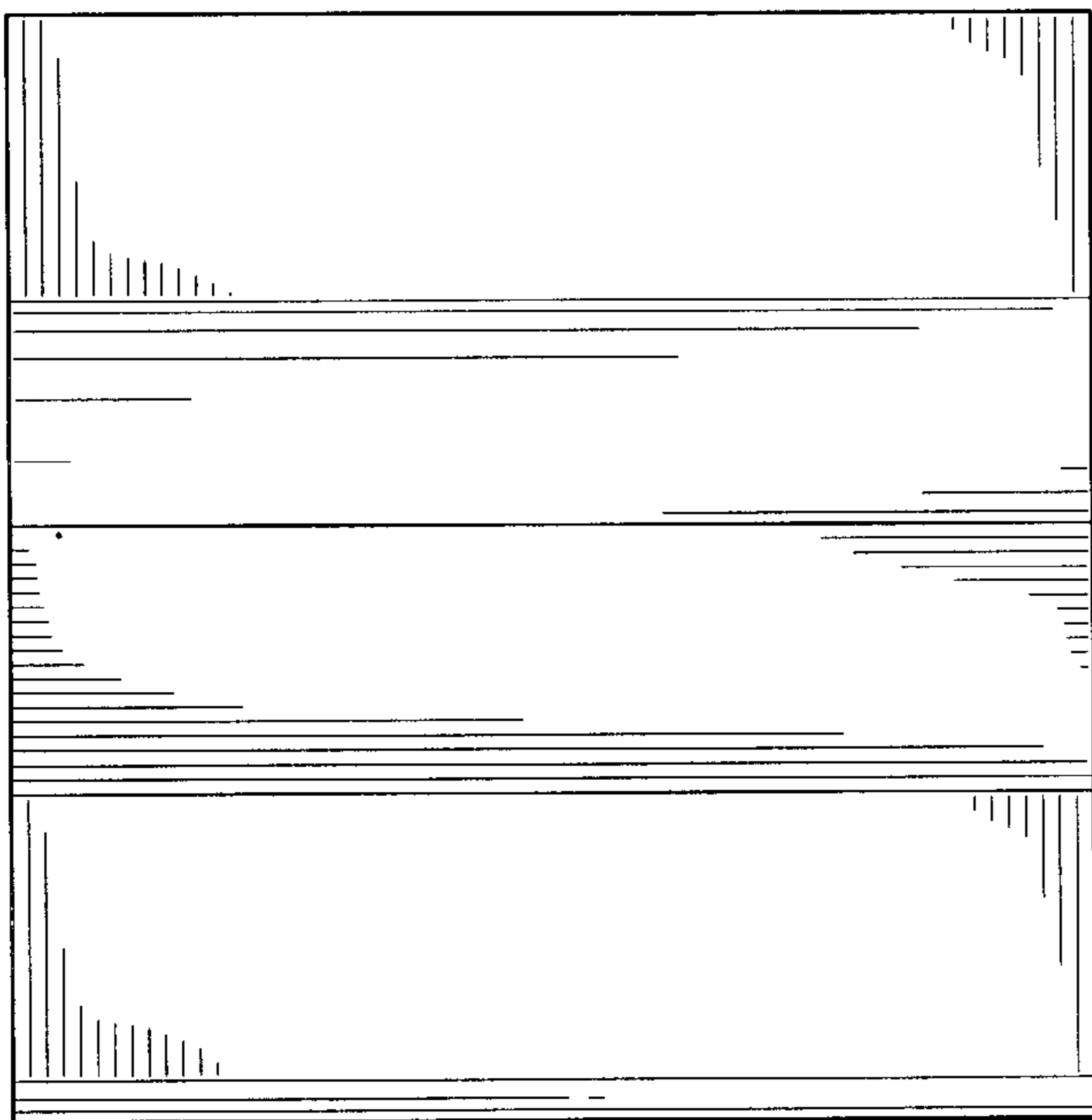


FIG. 3

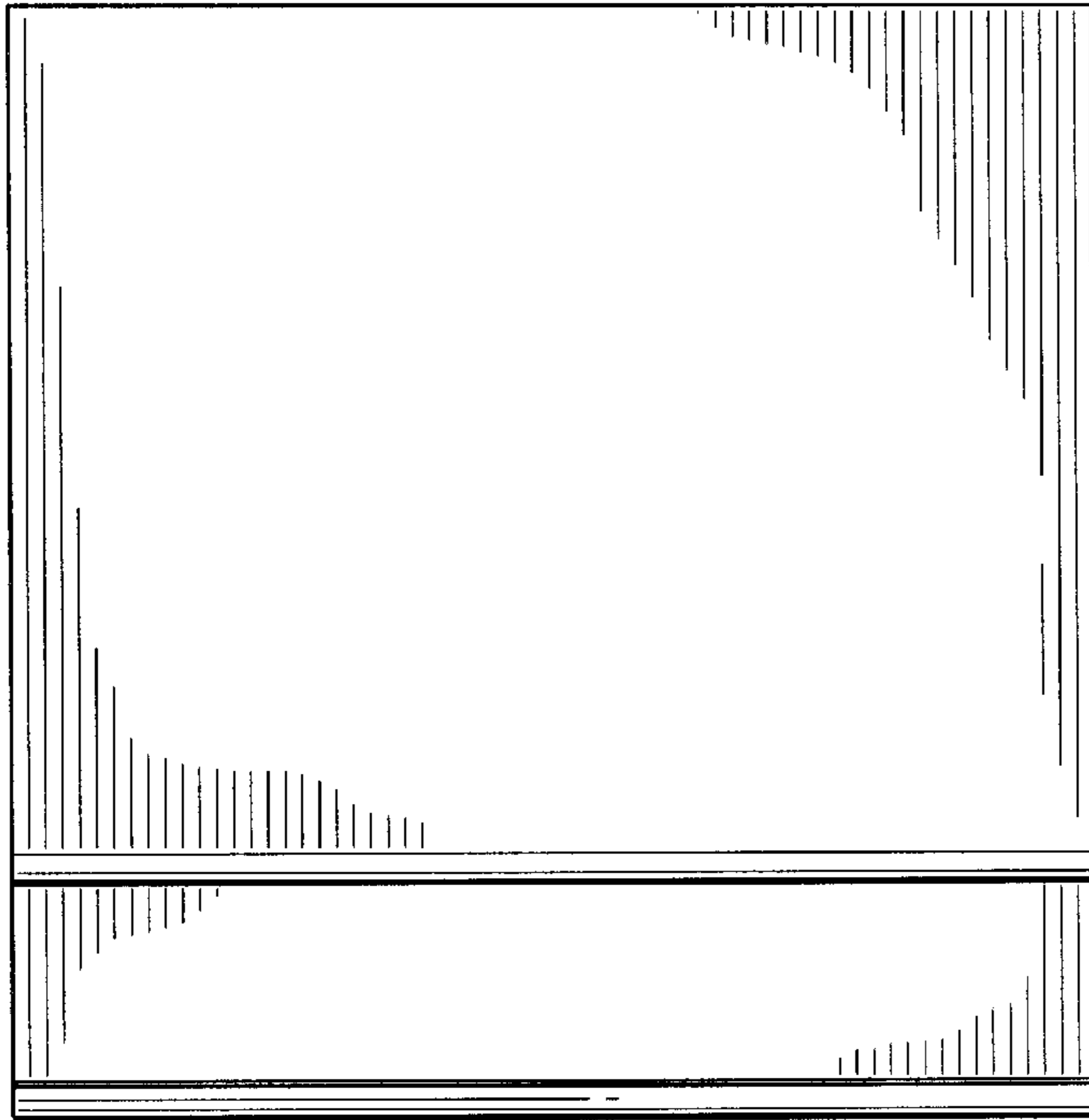


FIG. 5

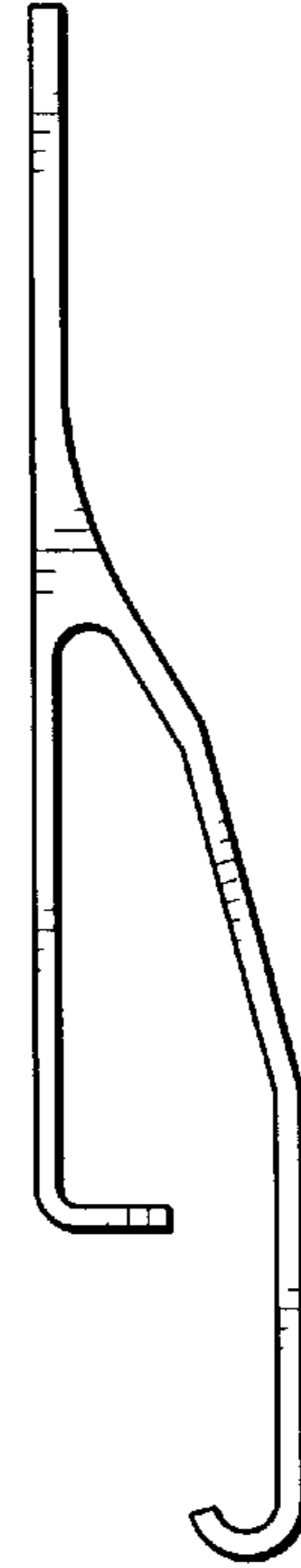


FIG. 4

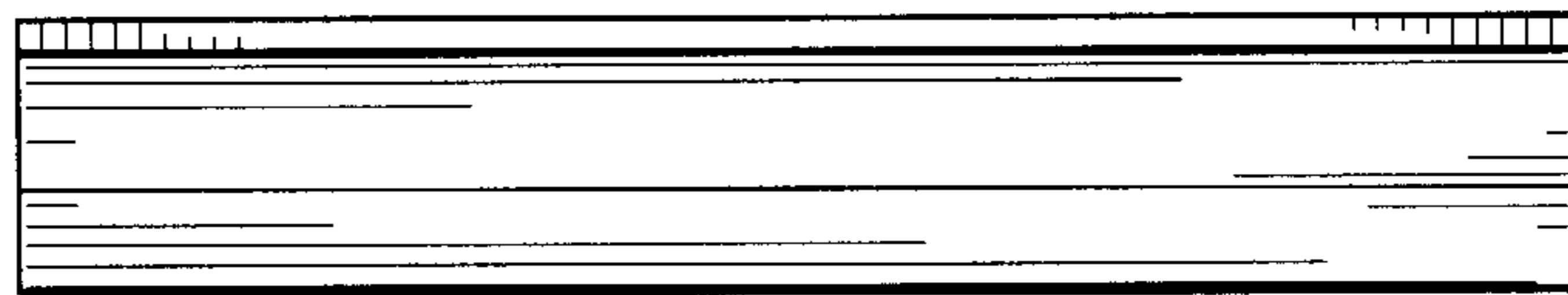


FIG. 6

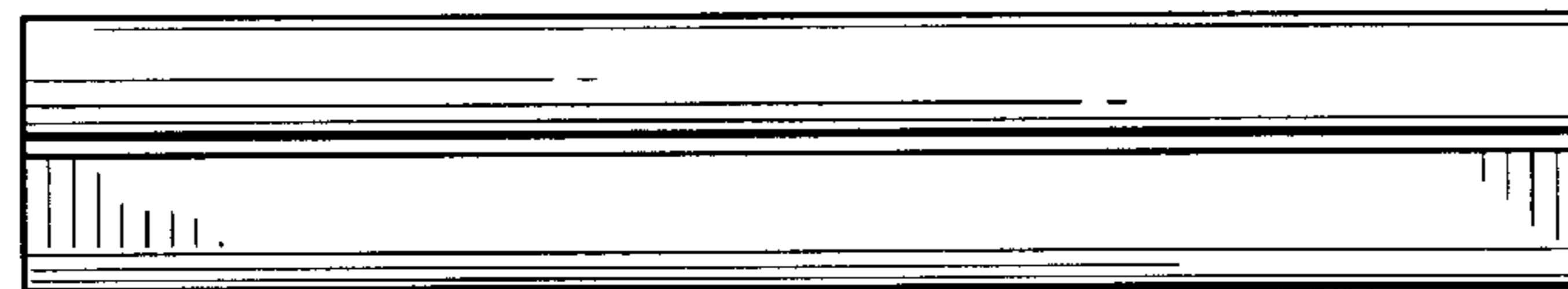


FIG. 7