



US00D481931S

(12) **United States Design Patent**
Chi

(10) **Patent No.:** **US D481,931 S**

(45) **Date of Patent:** **** Nov. 11, 2003**

(54) **WHEEL OF OFFICE CHAIR**

D448,278 S * 9/2001 Chi D8/375

(76) **Inventor:** **Ching-Hui Chi**, No. 24-2, Hsi Wei Street, San Chung City, Taipei Hsien (TW)

* cited by examiner

Primary Examiner—Holly Baynham
(74) *Attorney, Agent, or Firm*—Rosenberg, Klein & Lee

(**) **Term:** **14 Years**

(57) **CLAIM**

(21) **Appl. No.:** **29/175,370**

The ornamental design for a wheel of office chair, as shown and described.

(22) **Filed:** **Feb. 5, 2003**

(51) **LOC (7) Cl.** **08-05**

(52) **U.S. Cl.** **D8/375**

(58) **Field of Search** D8/375; 16/18 CG, 16/45, 18 R

DESCRIPTION

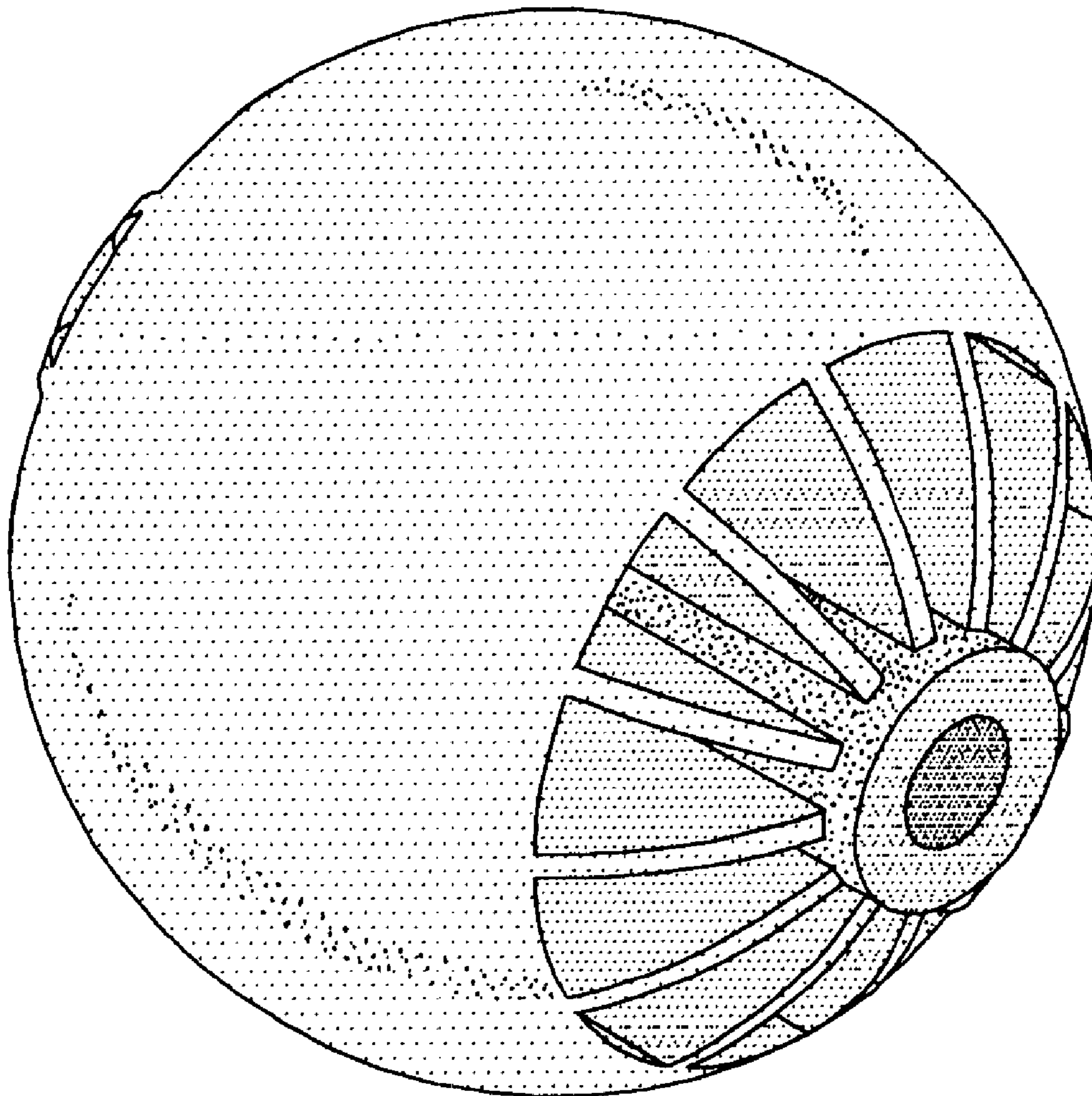
FIG. 1 is a perspective view of a wheel of office chair showing my new design;
FIG. 2 is a front elevational view thereof;
FIG. 3 is a rear elevational view thereof;
FIG. 4 is a left side elevational view thereof;
FIG. 5 is a right side elevational view thereof;
FIG. 6 is a top plan view thereof; and,
FIG. 7 is a bottom plan view thereof.

(56) **References Cited**

U.S. PATENT DOCUMENTS

- D192,596 S * 4/1962 Rice D8/375
- 5,419,008 A * 5/1995 West 16/25
- D392,552 S * 3/1998 Miskill D8/375

1 Claim, 4 Drawing Sheets



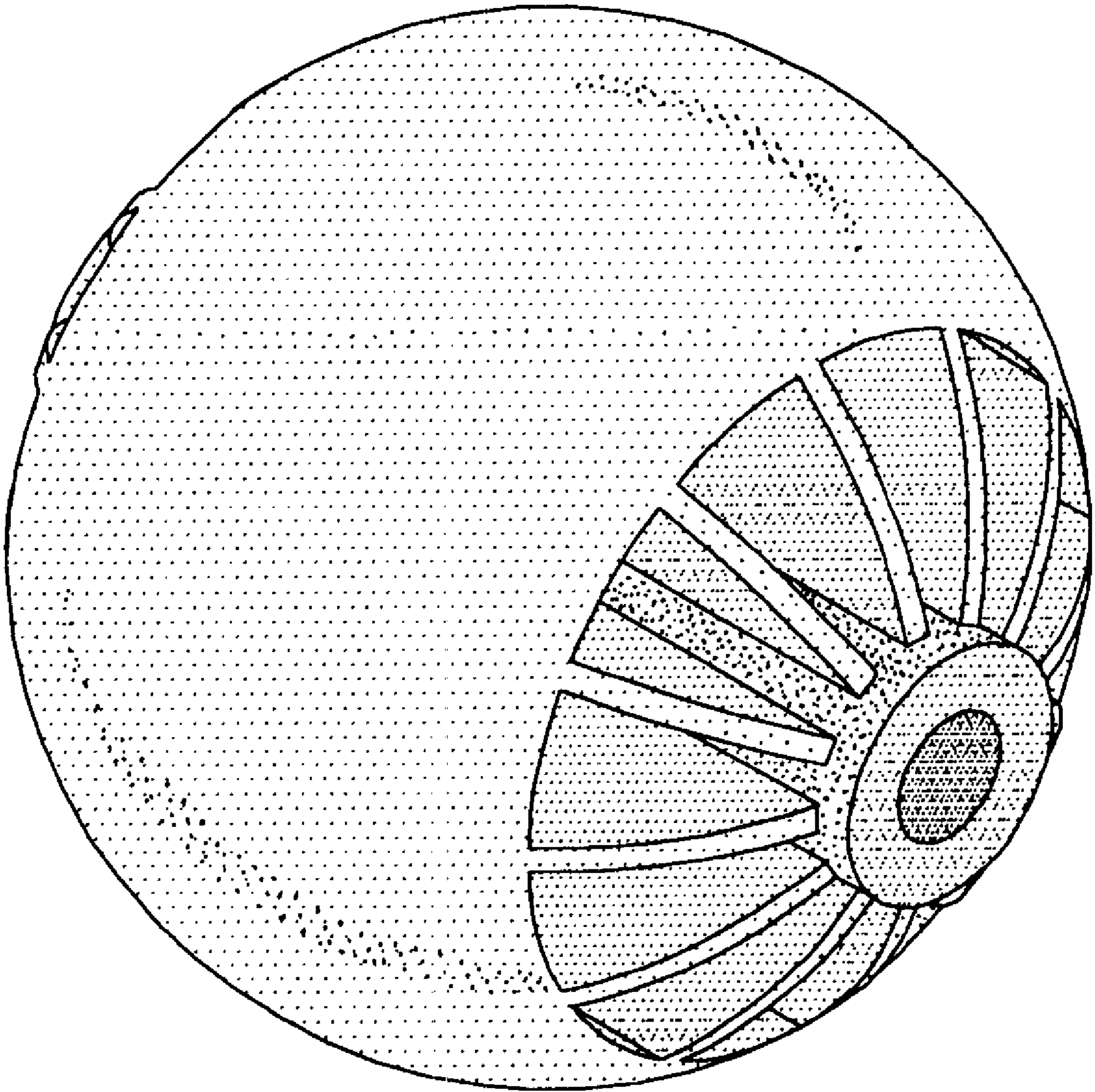


FIG. 1

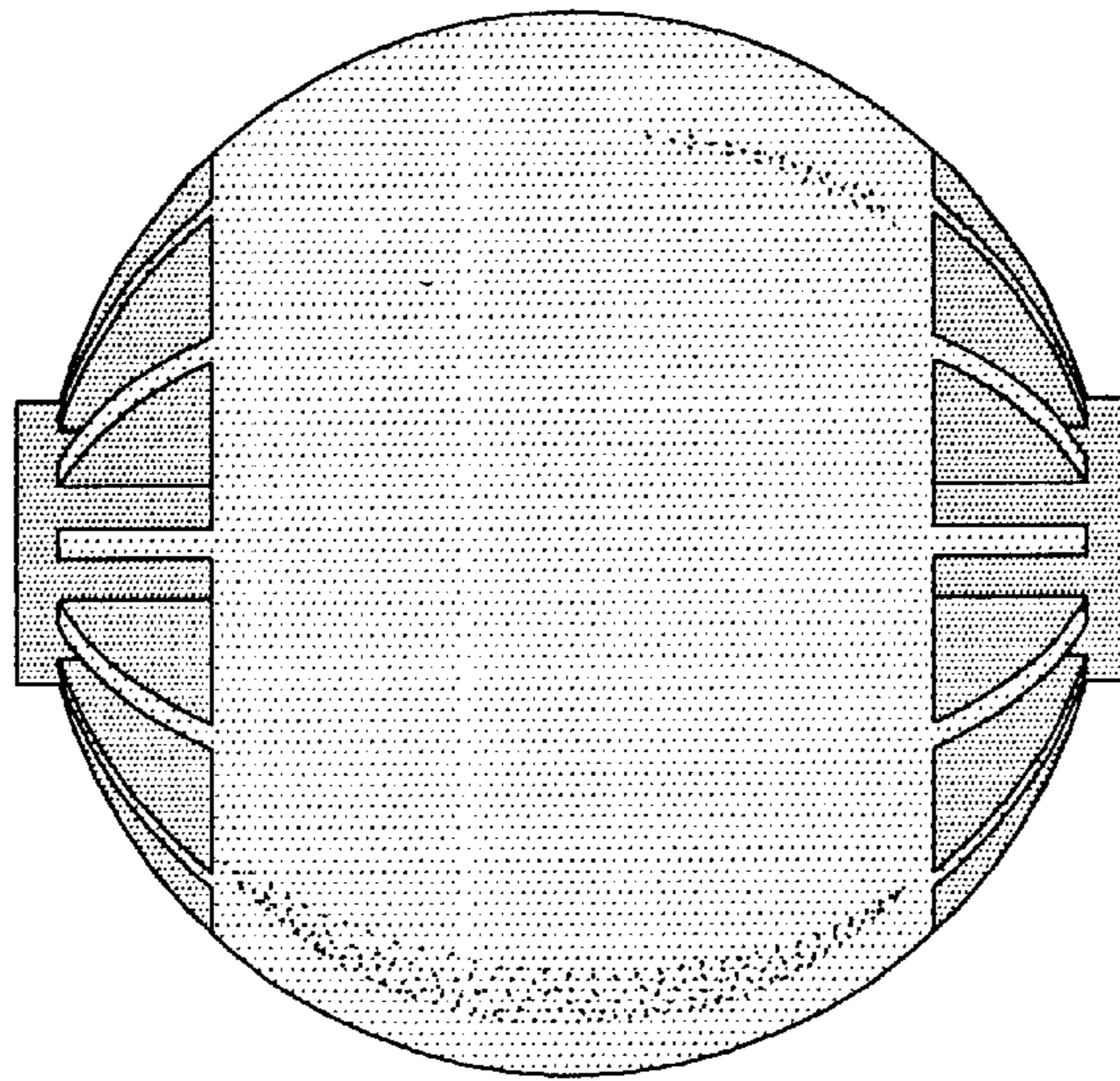


FIG. 2

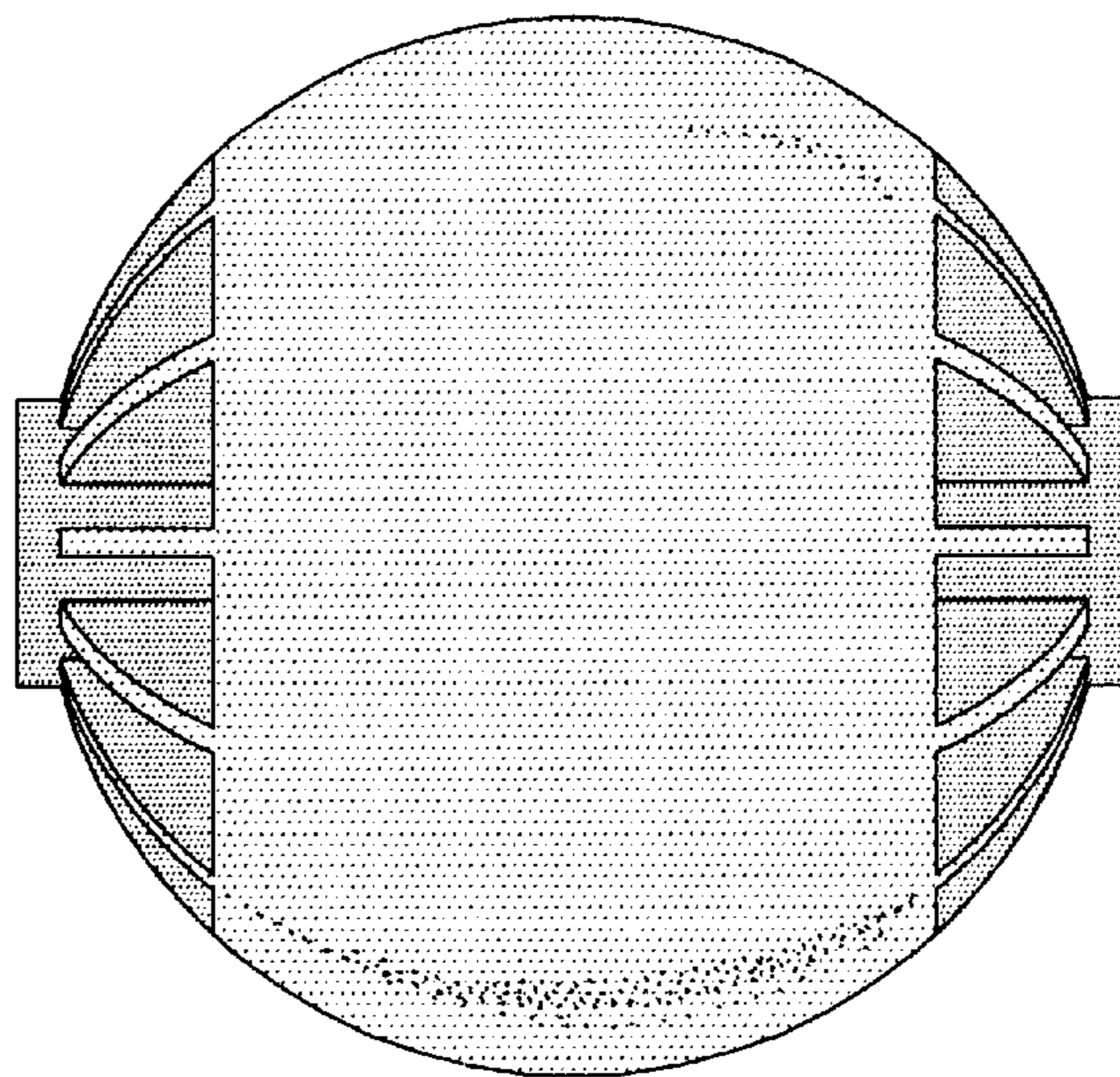


FIG. 3

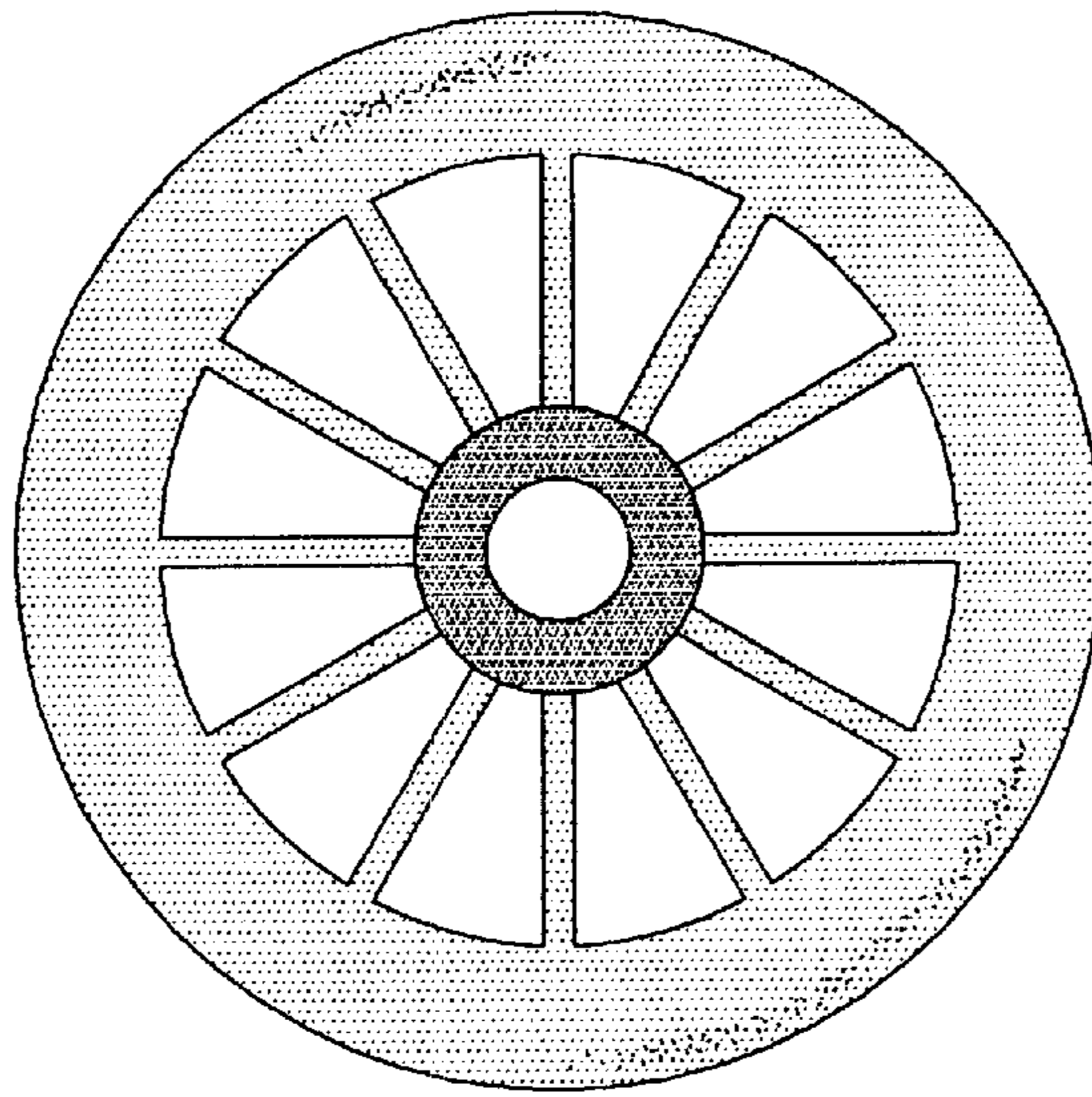


FIG. 4

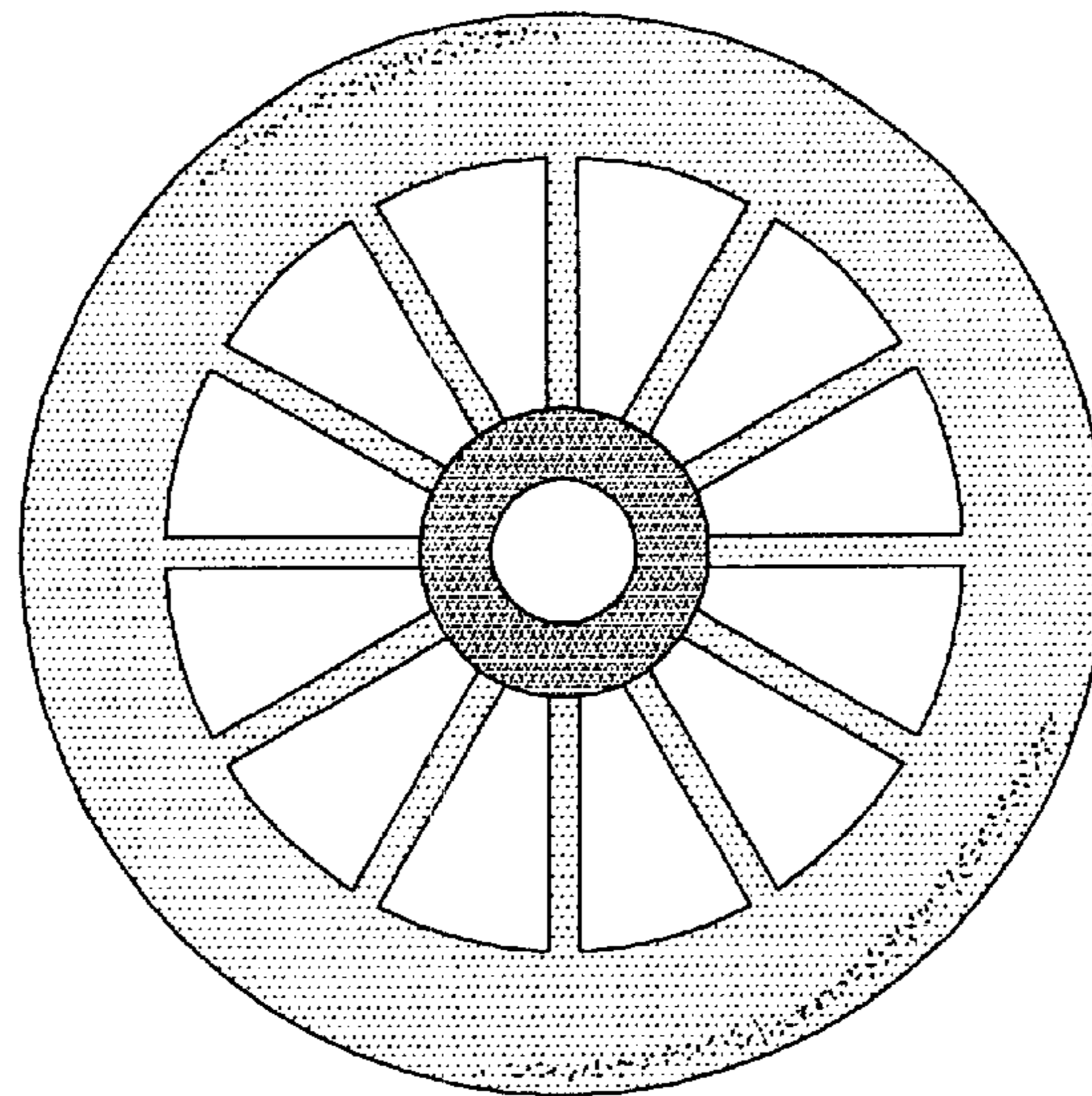


FIG. 5

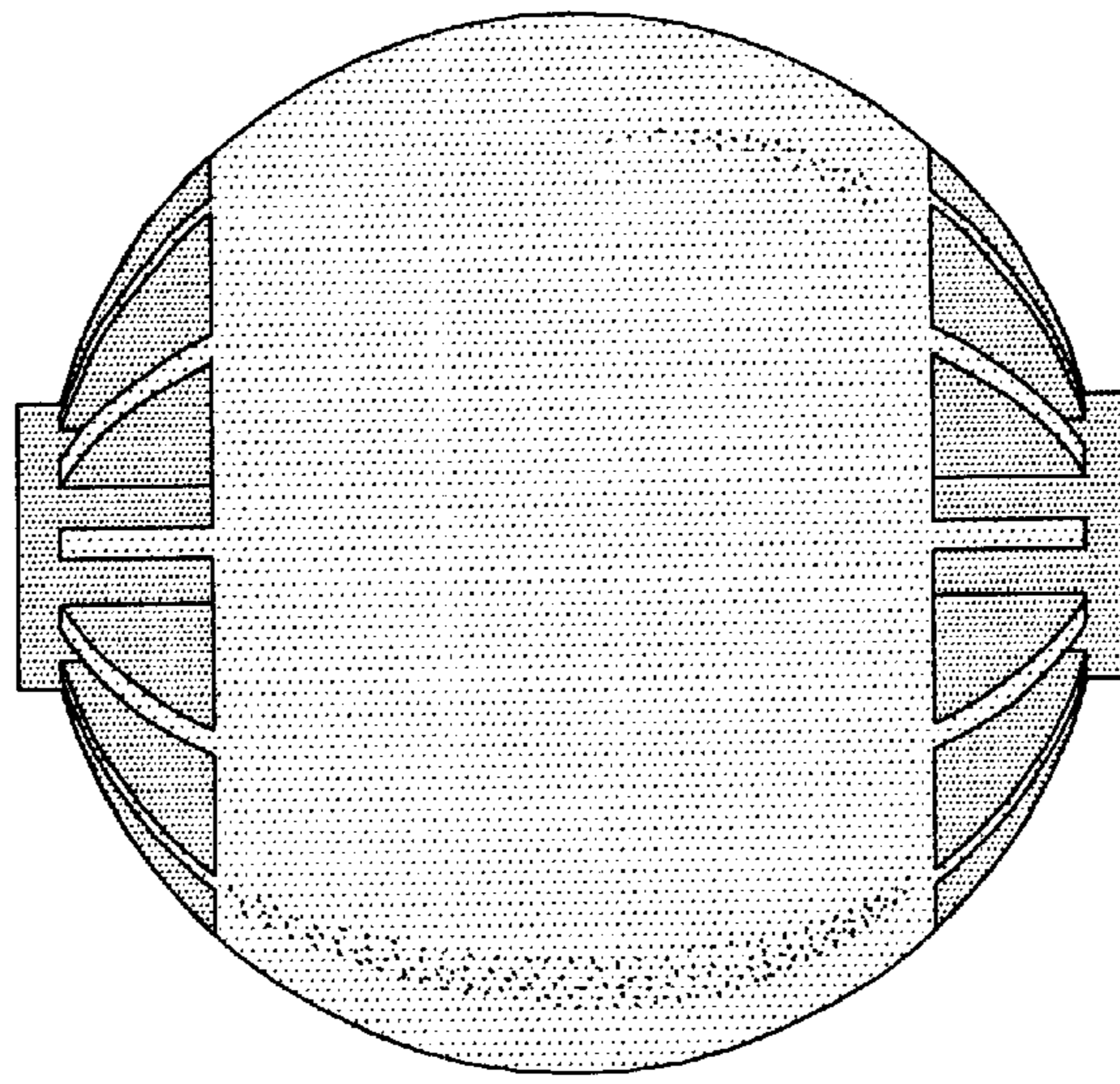


FIG. 6

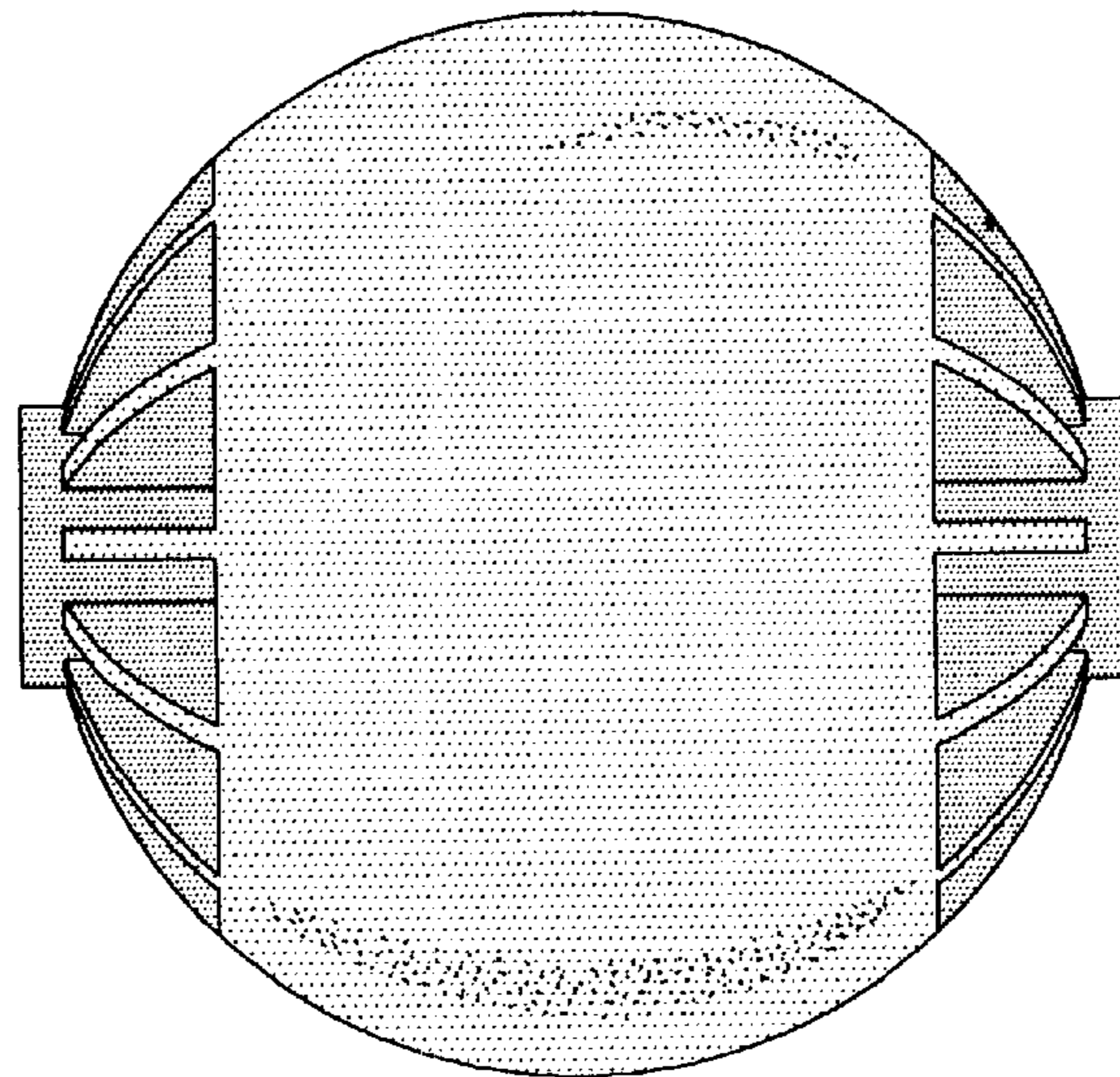


FIG. 7