



US00D481929S

(12) **United States Design Patent**
McNichol

(10) **Patent No.:** **US D481,929 S**

(45) **Date of Patent:** **** Nov. 11, 2003**

(54) **GUTTER HANGER**

(75) Inventor: **John Joseph McNichol**, Holland, PA
(US)

(73) Assignee: **Berger Financial Corporation**,
Wilmington, DE (US)

(**) Term: **14 Years**

(21) Appl. No.: **29/169,636**

(22) Filed: **Oct. 23, 2002**

(51) **LOC (7) Cl.** **08-05**

(52) **U.S. Cl.** **D8/373**

(58) **Field of Search** D8/349, 354, 373;
248/48.2

(56) **References Cited**

U.S. PATENT DOCUMENTS

4,241,548 A * 12/1980 Rowe 52/11
D259,170 S * 5/1981 Emms D8/382
4,345,731 A * 8/1982 Rowe 248/48.2

OTHER PUBLICATIONS

Price lists from Berger Bros. Co. for Berger Imperial Hang-
ers with galvanized cross bars effective on Jan. 1, 1930.

* cited by examiner

Primary Examiner—Holly Baynham

(74) *Attorney, Agent, or Firm*—Wolf, Block, Schorr and
Solis-Cohen, LLP

(57) **CLAIM**

The ornamental design for a gutter hanger, as shown and
described.

DESCRIPTION

FIG. 1 is a perspective view showing the design of one
embodiment of the gutter hanger.

FIG. 2 is a perspective view showing one embodiment of the
gutter hanger attached to a gutter.

FIG. 3 is a perspective view showing the design of one
embodiment of the gutter hanger.

FIG. 4 is a top view showing the design of one embodiment
of the gutter hanger.

FIG. 5 is a perspective view showing the design of an
alternative embodiment of the gutter hanger.

FIG. 6 is a perspective view showing the alternative embodi-
ment of the gutter hanger attached to a gutter.

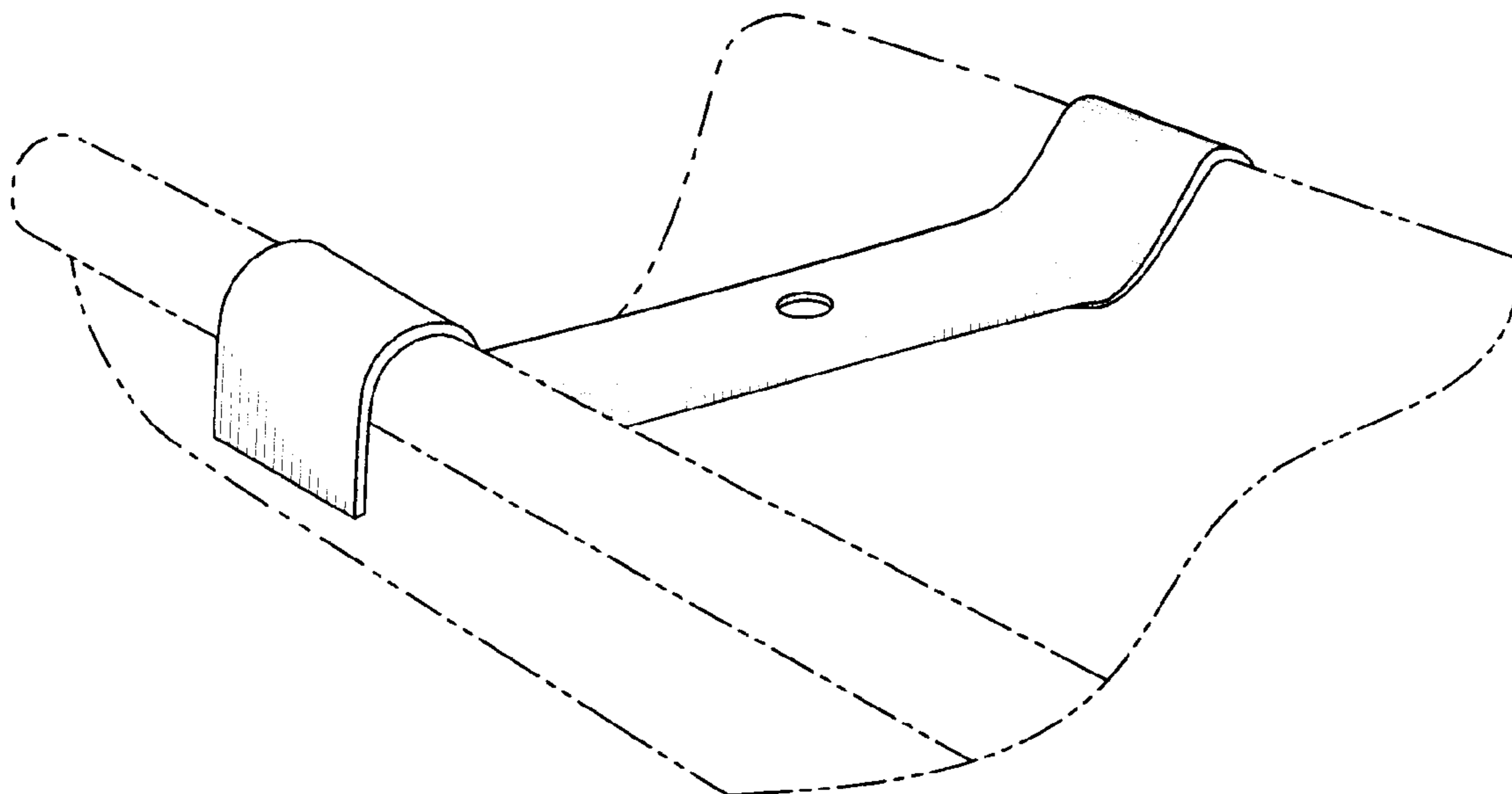
FIG. 7 is a perspective view showing the alternative embodi-
ment of the gutter hanger.

FIG. 8 is a top view showing the alternative embodiment of
the gutter hanger; and,

FIG. 9 is a side view showing the alternative embodiment of
the gutter hanger.

The broken line showing of a partial gutter is for illustrative
purposes only and forms no part of the claimed design.

1 Claim, 6 Drawing Sheets



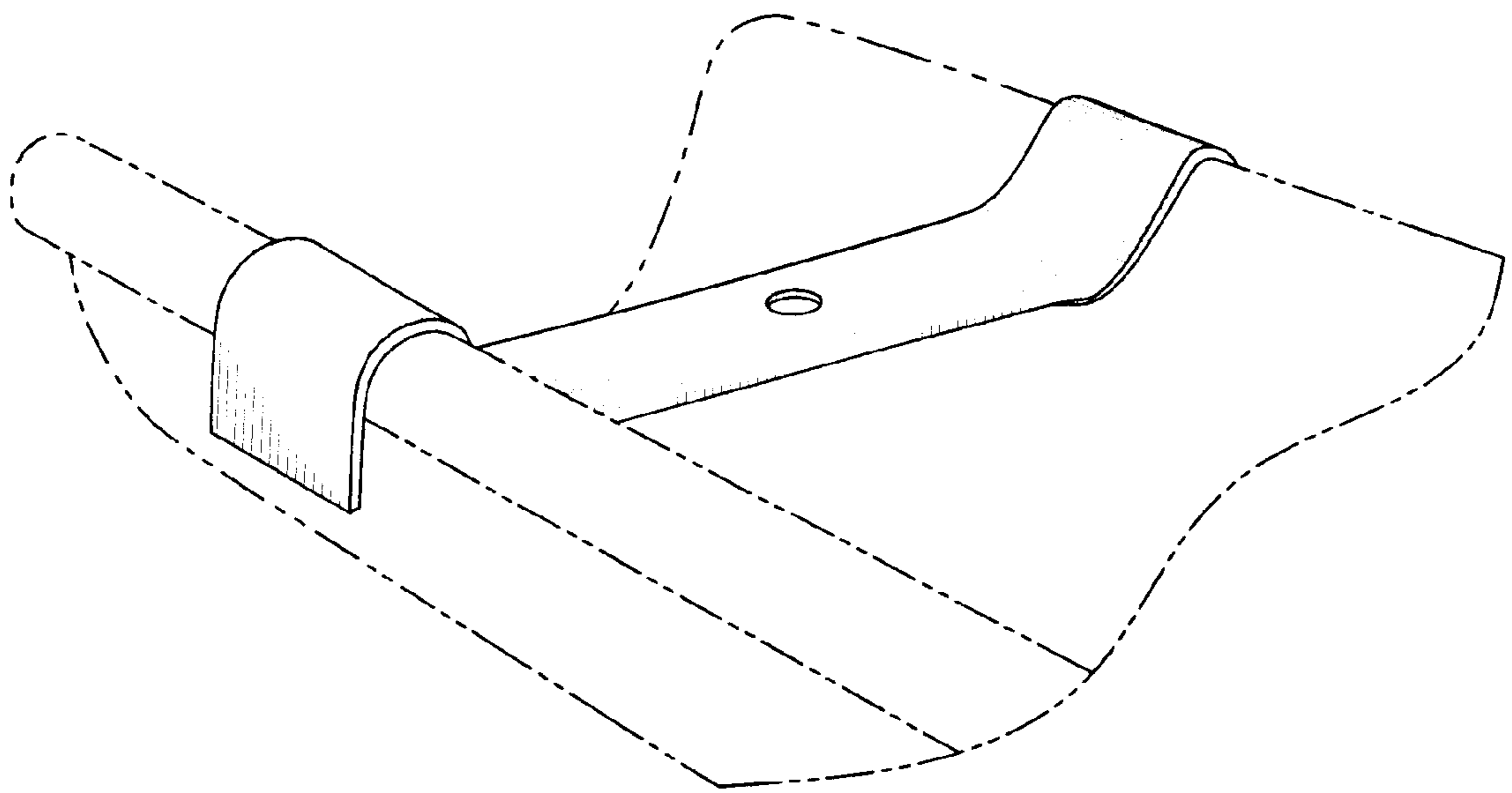


FIG. 1

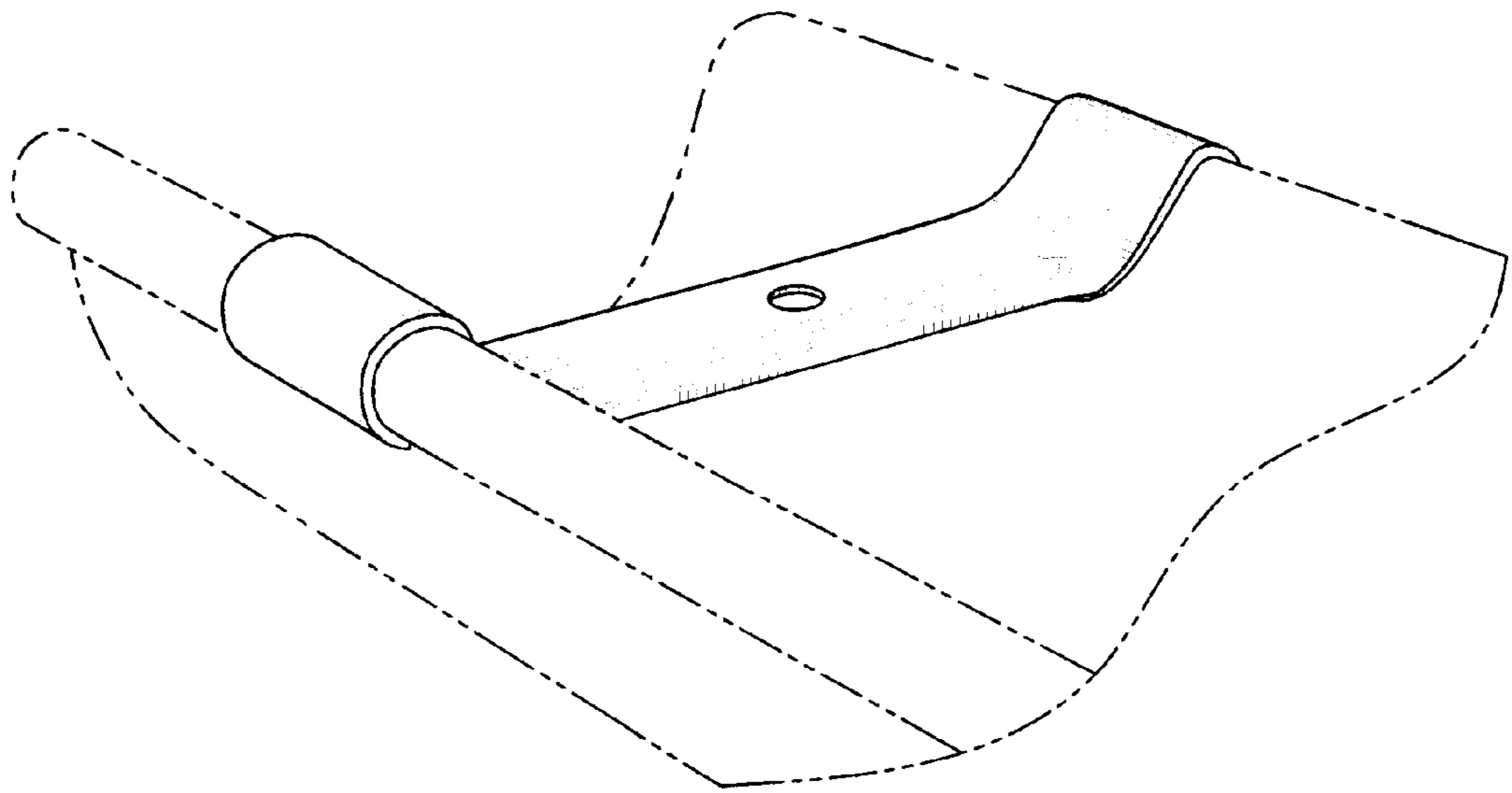


FIG. 2

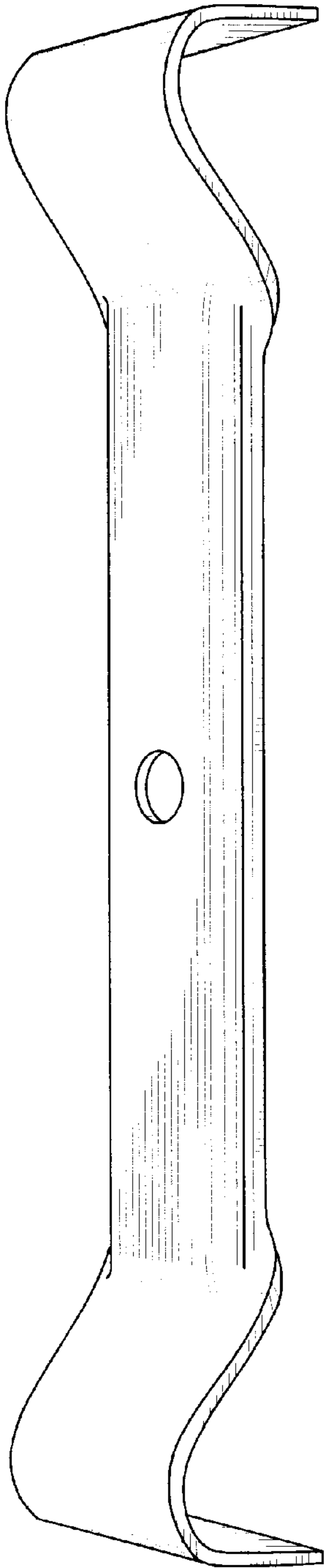


FIG. 3

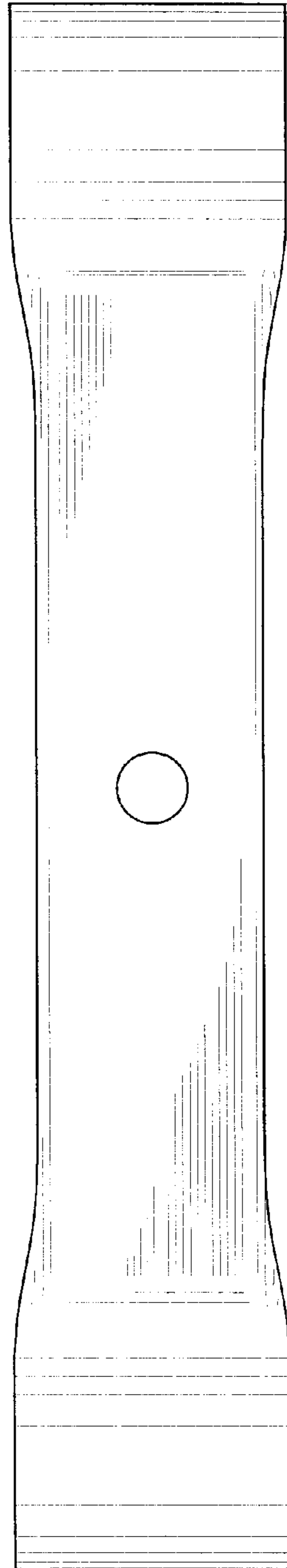


FIG. 4

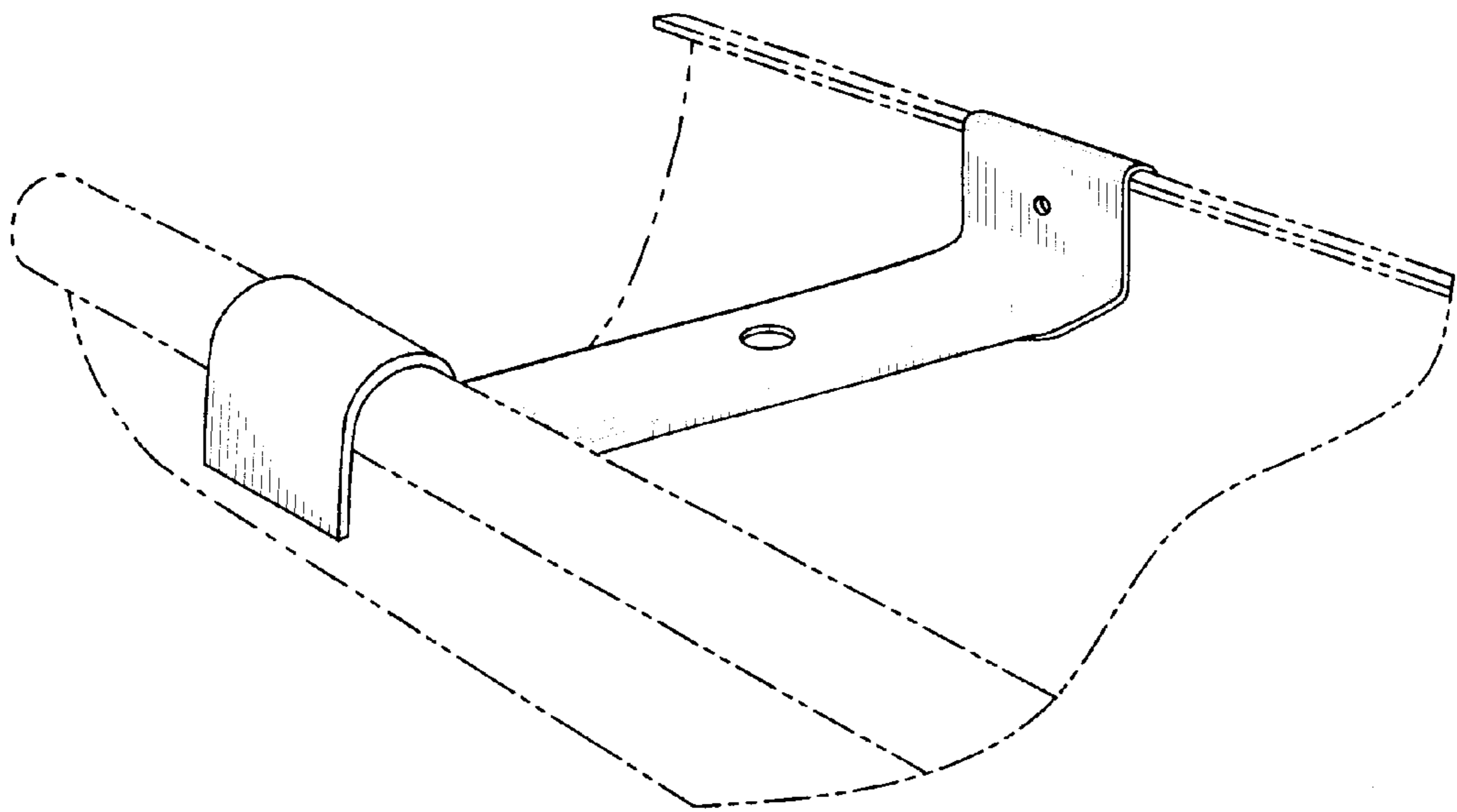


FIG. 5

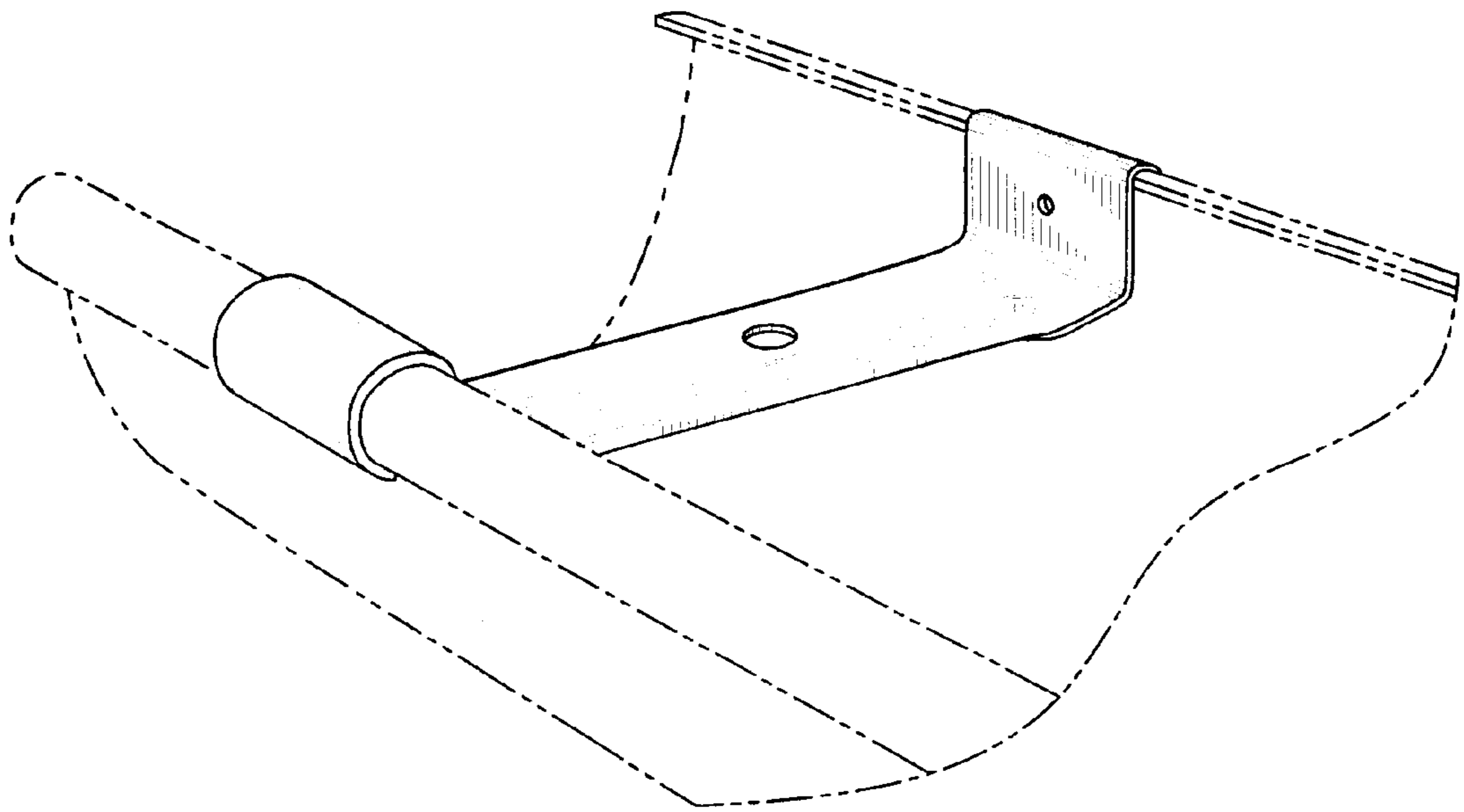


FIG. 6

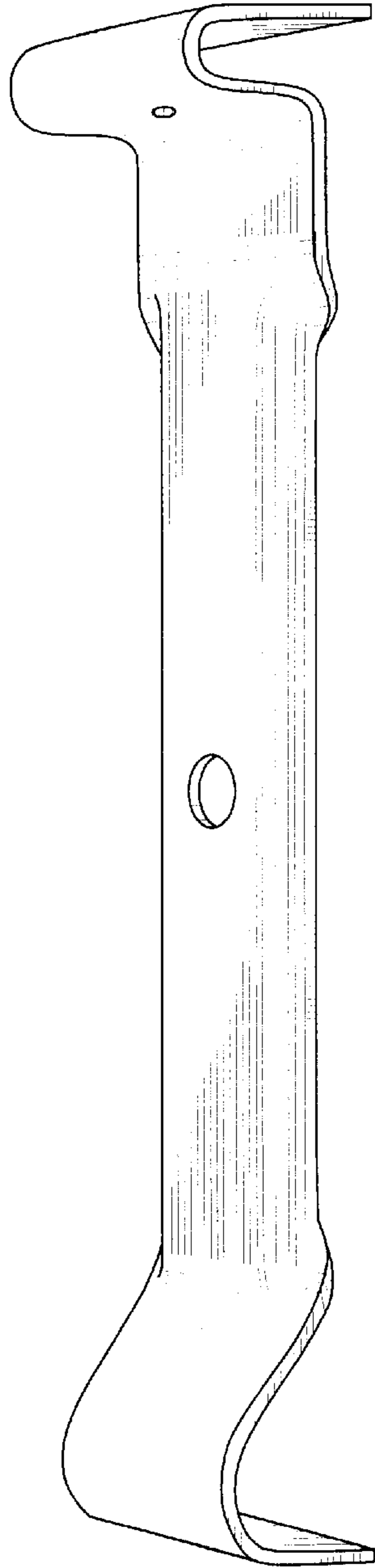


FIG. 7

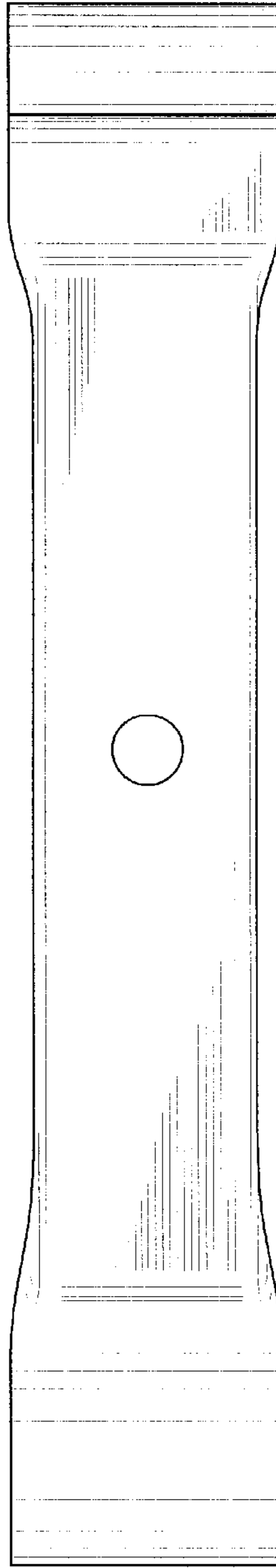


FIG. 8

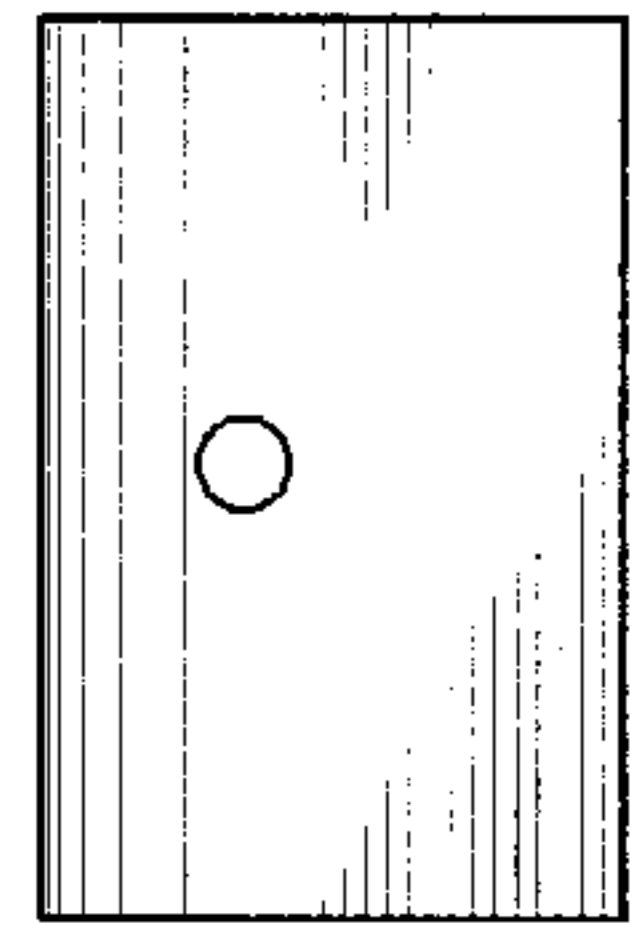


FIG. 9