



US00D481928S

(12) **United States Design Patent**
Goodman et al.

(10) **Patent No.:** **US D481,928 S**

(45) **Date of Patent:** **** Nov. 11, 2003**

(54) **HOOK**

(75) Inventors: **Sheldon H. Goodman**, 30905 Stratford, Solon, OH (US) 44139; **Brian Stelmarski**, Mayfield Hts., OH (US)

(73) Assignee: **Sheldon H. Goodman**, Solon, OH (US)

(**) Term: **14 Years**

(21) Appl. No.: **29/178,014**

(22) Filed: **Mar. 19, 2003**

Related U.S. Application Data

(62) Division of application No. 29/167,144, filed on Sep. 10, 2002.

(51) **LOC (7) Cl.** **08-05**

(52) **U.S. Cl.** **D8/372**

(58) **Field of Search** D8/372; 211/87, 211/106, 119; 248/302, 304

(56) **References Cited**

U.S. PATENT DOCUMENTS

| | | | | |
|-------------|-----------|----------------|-------|-----------|
| 1,798,768 A | 3/1931 | Vance | | 248/304 |
| 2,679,998 A | 6/1954 | Keller | | 248/205.3 |
| 3,433,449 A | 3/1969 | Musante | | 248/497 |
| D339,290 S | 9/1993 | Close | | D9/447 |
| D419,428 S | * 1/2000 | Goodman et al. | | D8/372 |
| D422,484 S | * 4/2000 | Goodman et al. | | D8/372 |
| D436,839 S | * 1/2001 | Goodman et al. | | D8/372 |
| D459,979 S | * 7/2002 | Goodman et al. | | D8/372 |
| D465,998 S | * 11/2002 | Goodman et al. | | D8/372 |

* cited by examiner

Primary Examiner—Holly Baynham

(74) *Attorney, Agent, or Firm*—Pearne & Gordon LLP

(57) **CLAIM**

The ornamental design for a hook, as shown and described.

DESCRIPTION

FIG. 1 is a front, side and top perspective view of a hook showing a three hook style of our new design;

FIG. 2 is a side elevational view thereof;

FIG. 3 is a front elevational view thereof;

FIG. 4 is a rear elevational view thereof;

FIG. 5 is a top plan view thereof;

FIG. 6 is a bottom plan view thereof;

FIG. 7 is a front, side and top perspective view of a second embodiment of a hook, showing a five hook style;

FIG. 8 is a side elevational view thereof;

FIG. 9 is a front elevational view thereof;

FIG. 10 is a rear elevational view thereof;

FIG. 11 is a top plan view thereof;

FIG. 12 is a bottom plan view thereof;

FIG. 13 is a front, side and top perspective view of a third embodiment of a hook similar to the embodiment of FIG. 7;

FIG. 14 is a side elevational view thereof;

FIG. 15 is a front elevational view thereof;

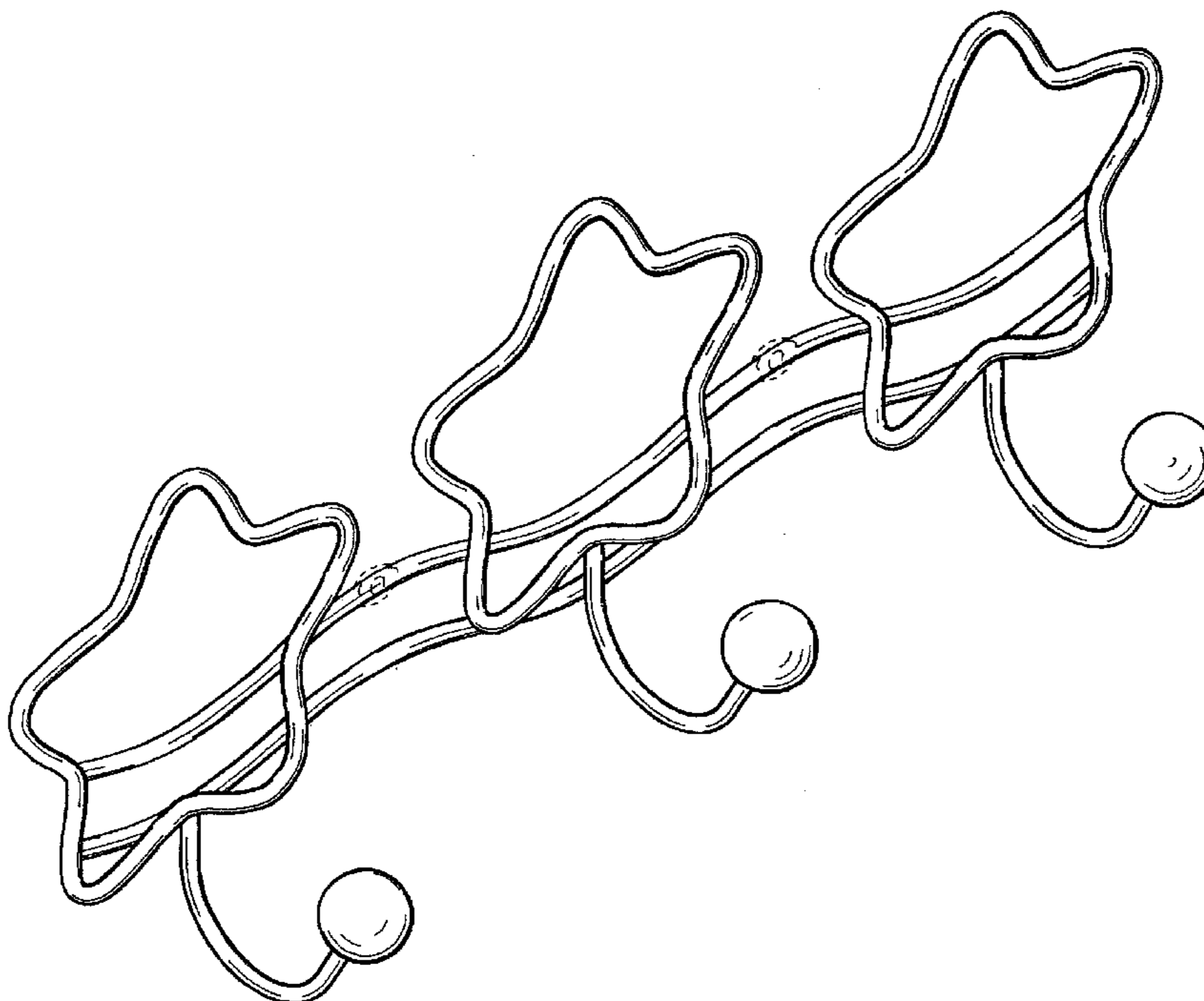
FIG. 16 is a rear elevational view thereof;

FIG. 17 is a top plan view thereof; and,

FIG. 18 is a bottom plan view thereof.

The broken-line disclosure of elements in the views is for illustrative purposes only and forms no part of the claimed design.

1 Claim, 7 Drawing Sheets



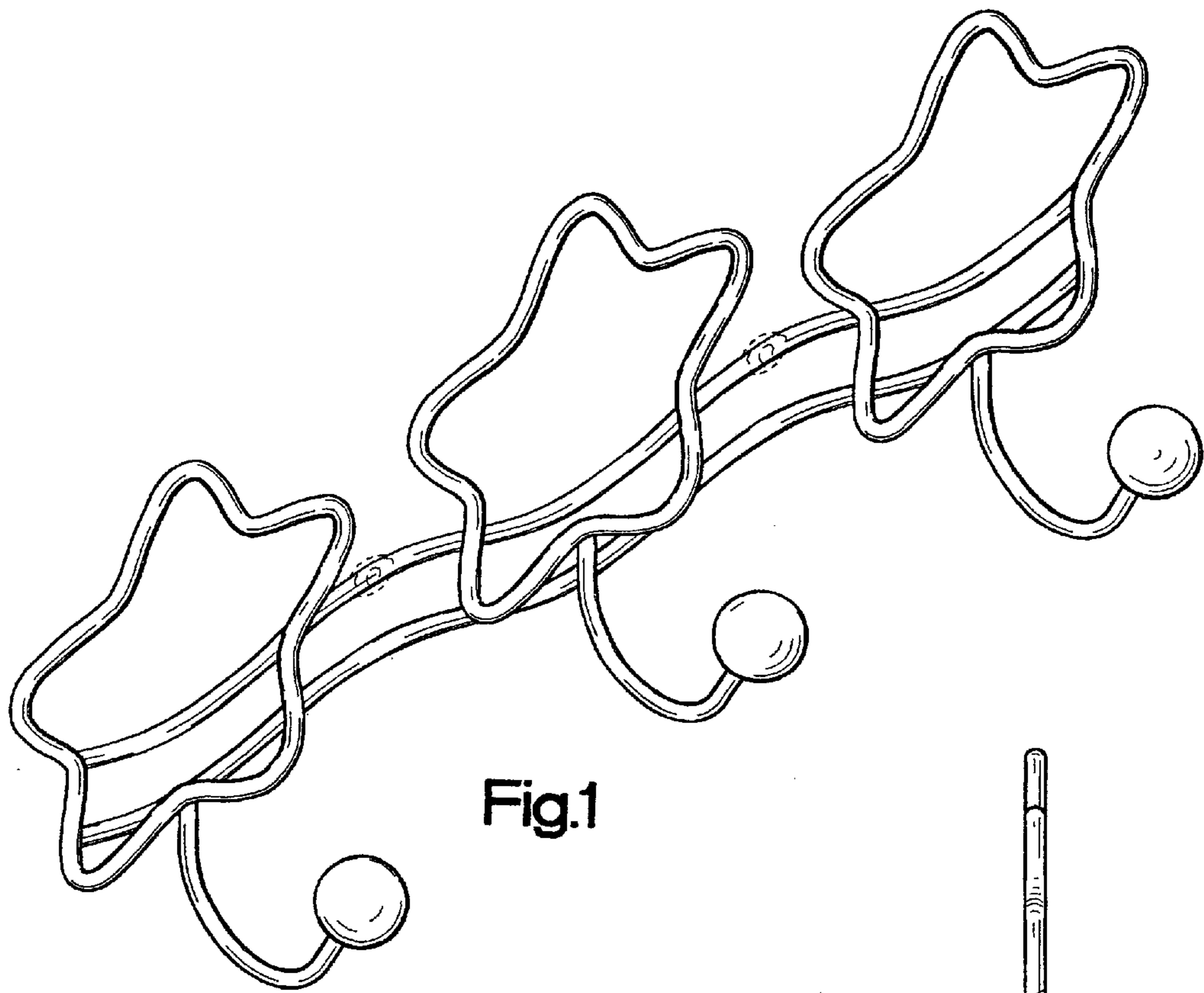


Fig.1

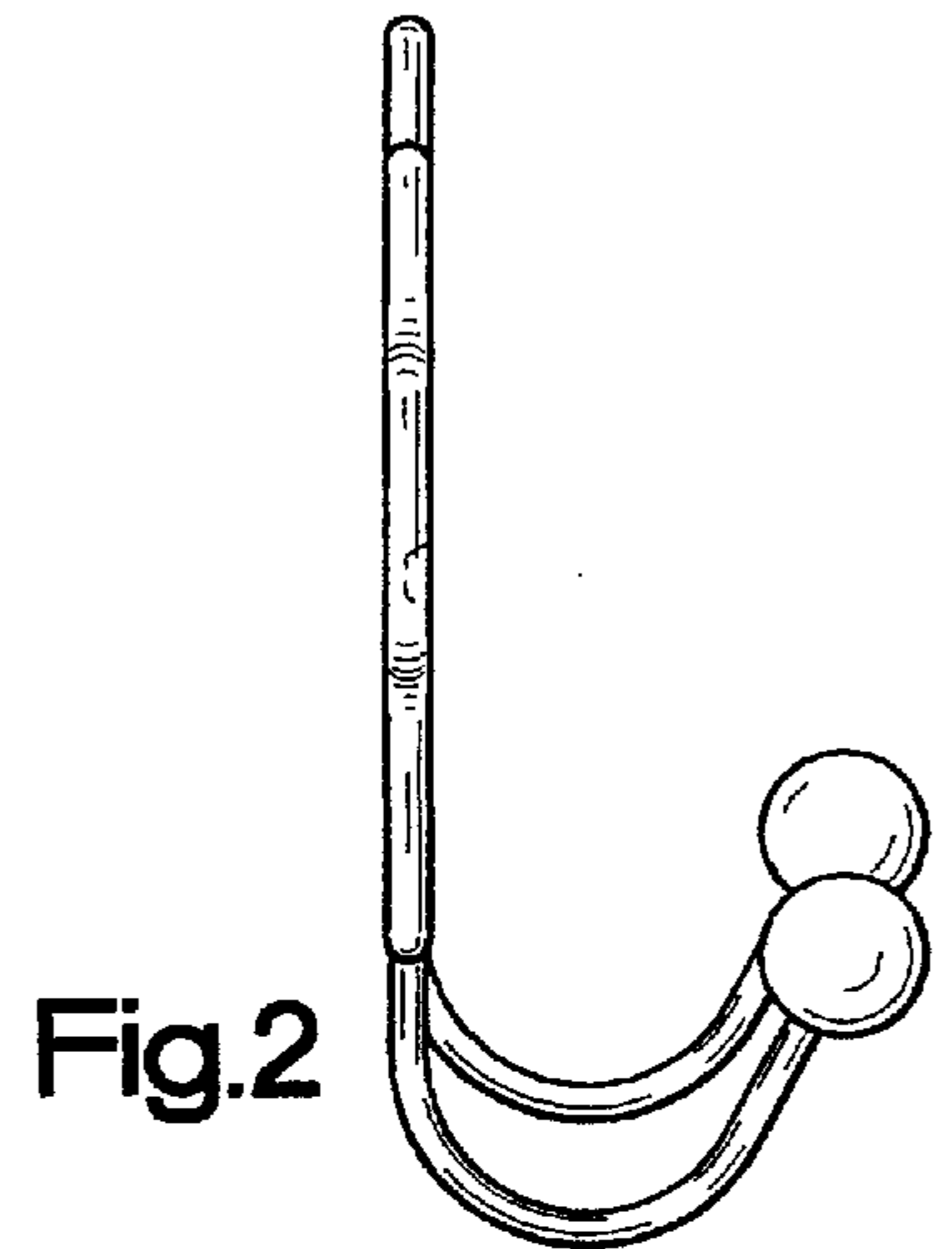


Fig.2

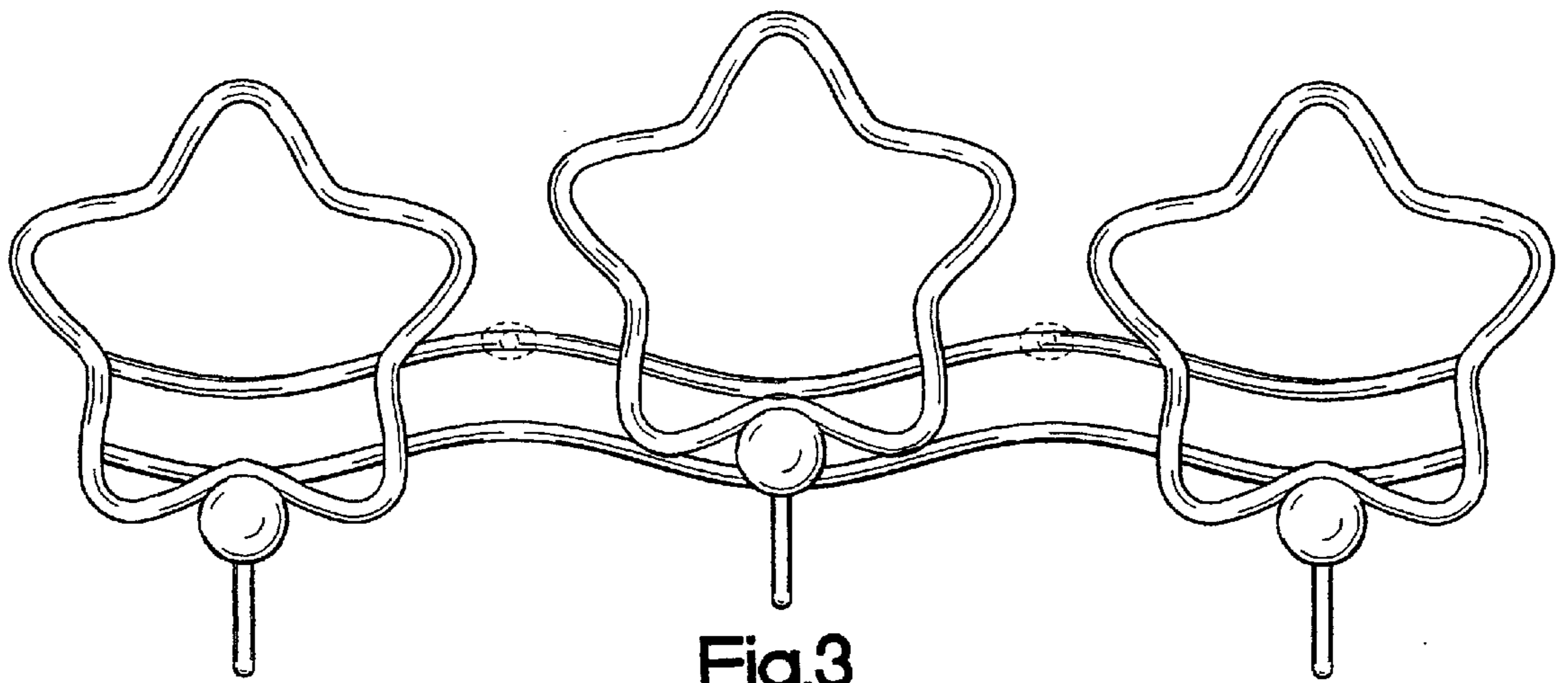


Fig.3

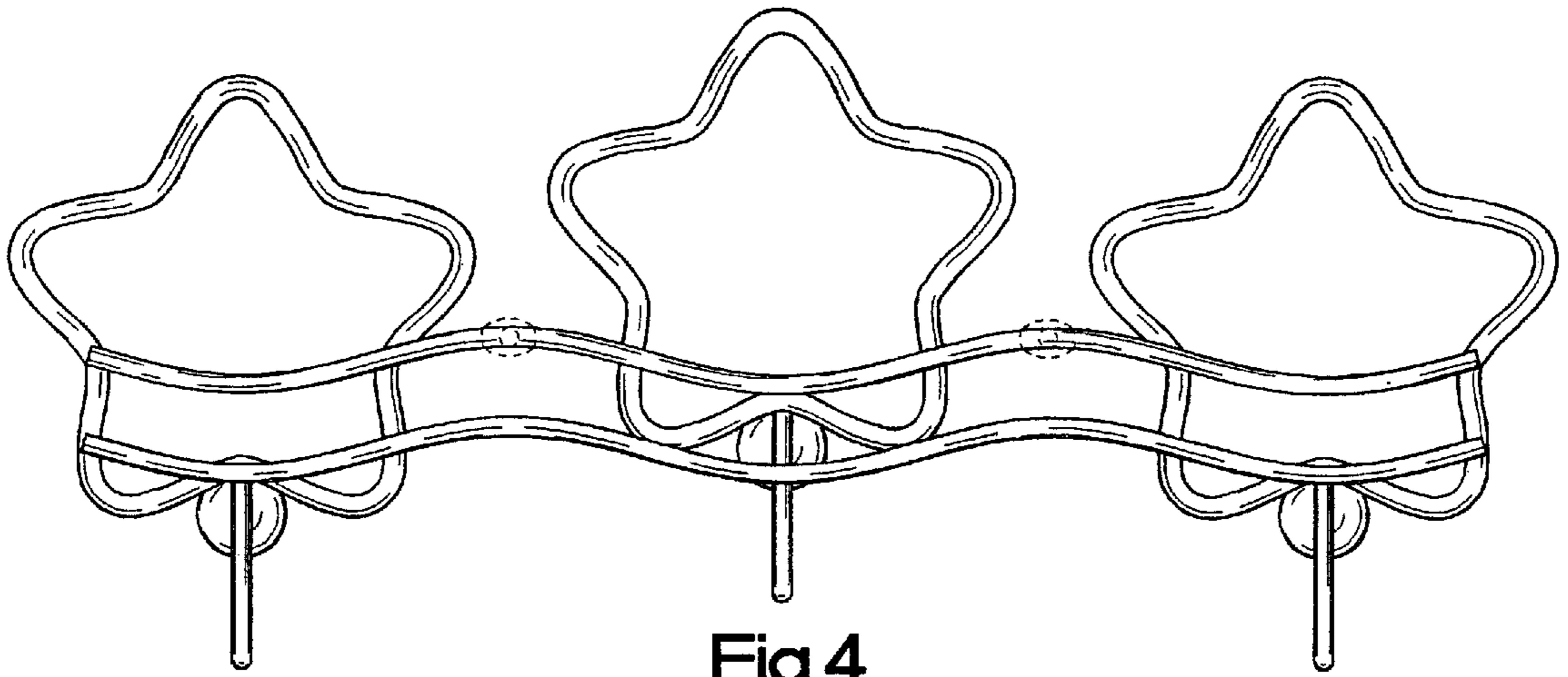


Fig. 4

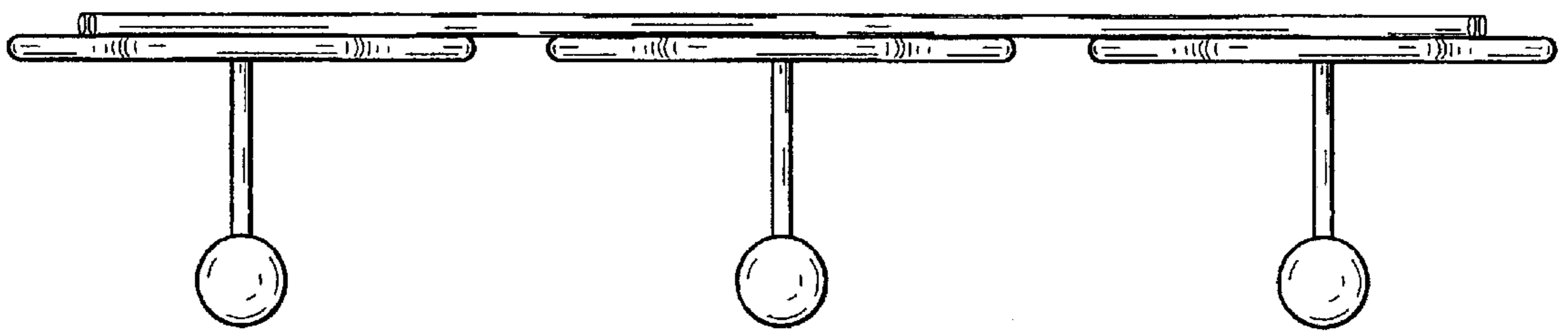


Fig. 5

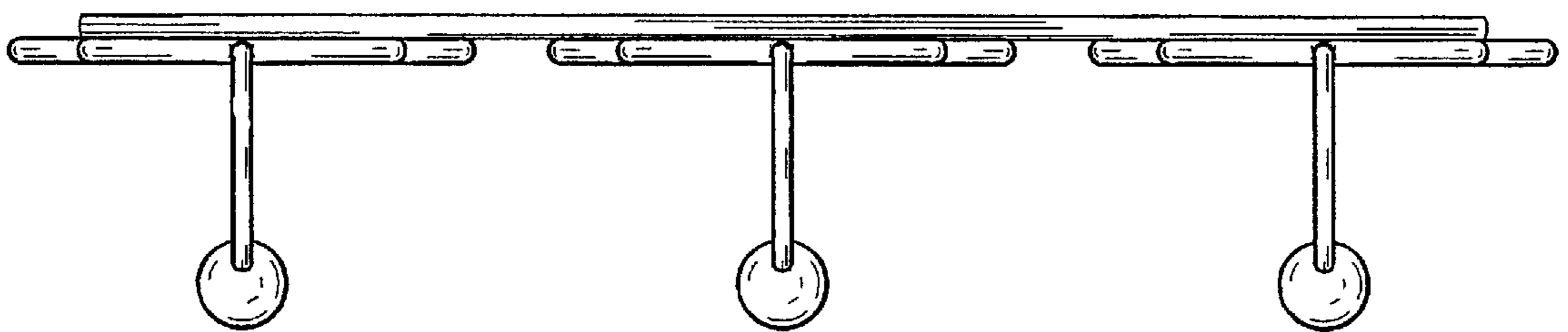


Fig. 6

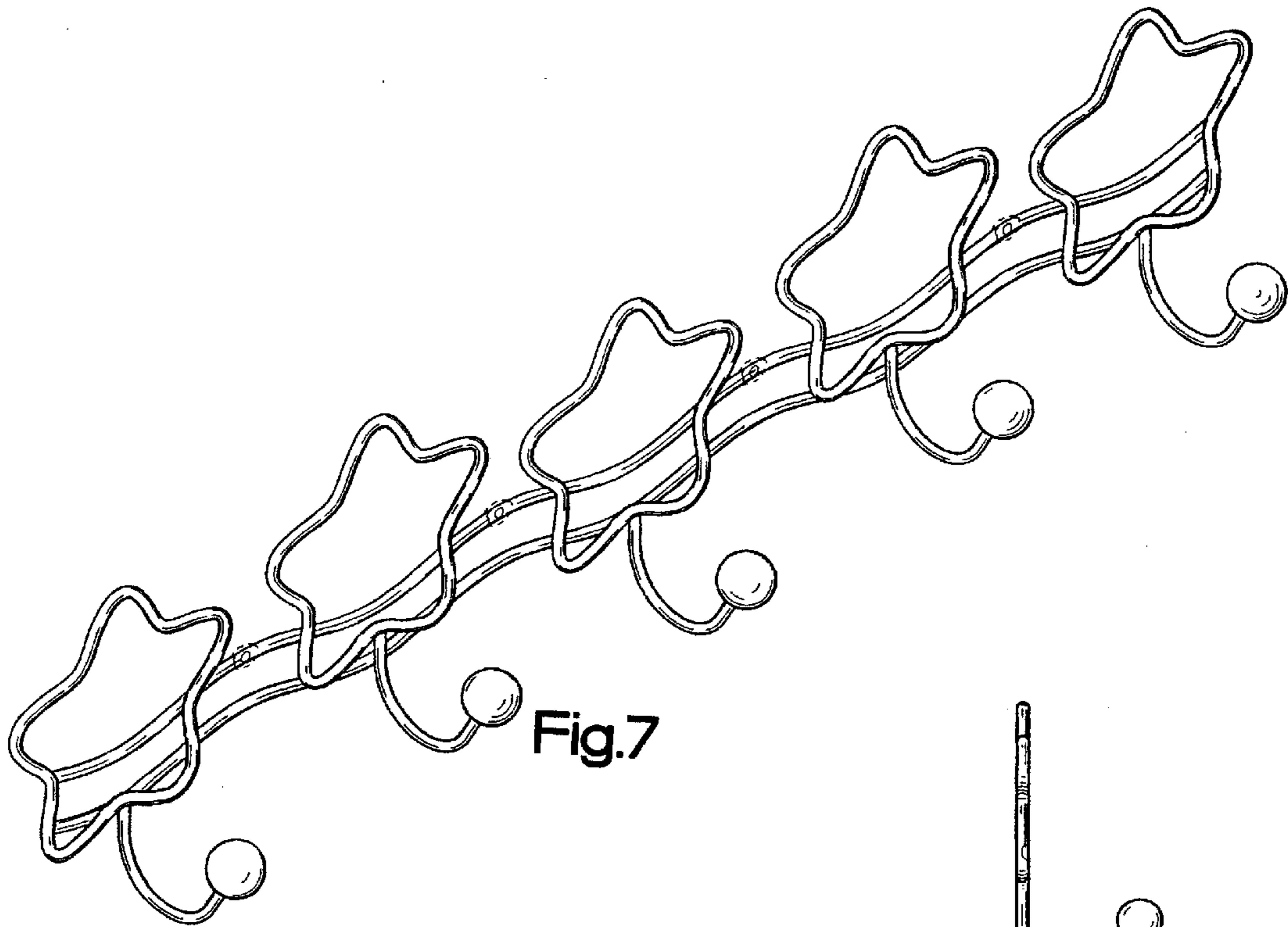


Fig.7

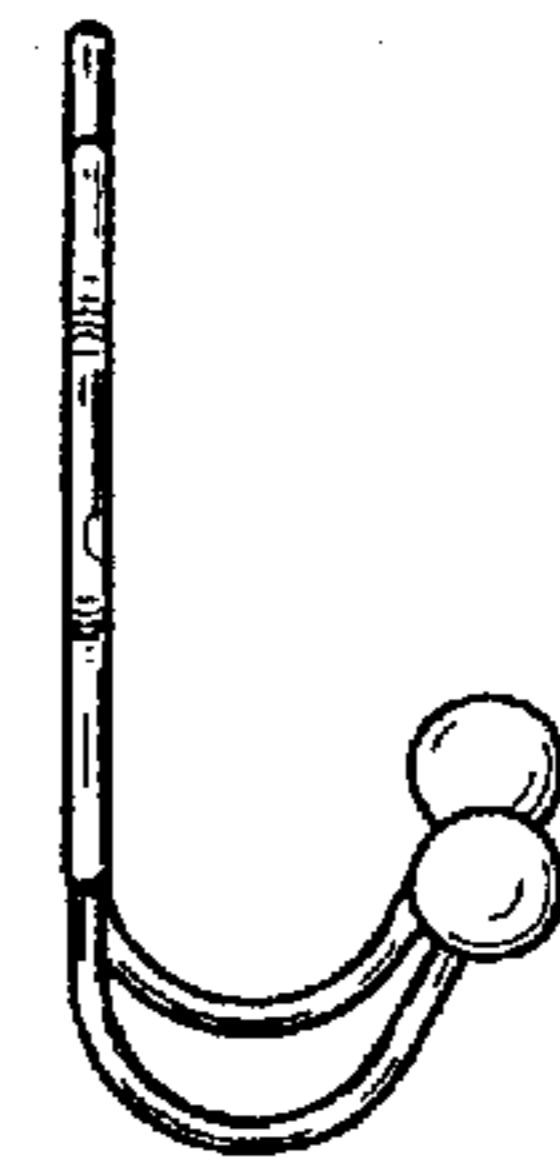


Fig.8

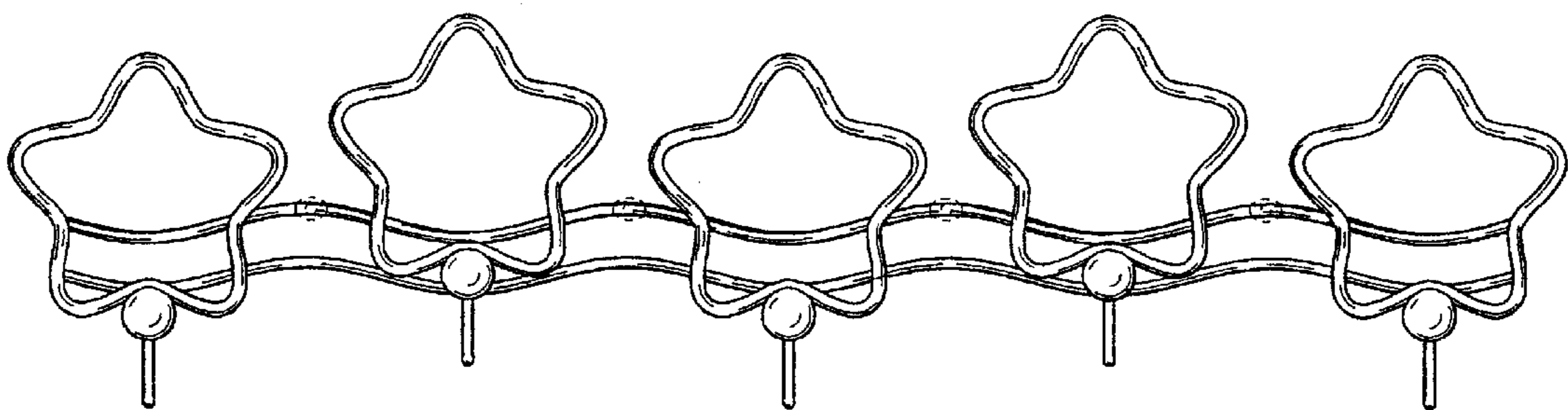


Fig.9

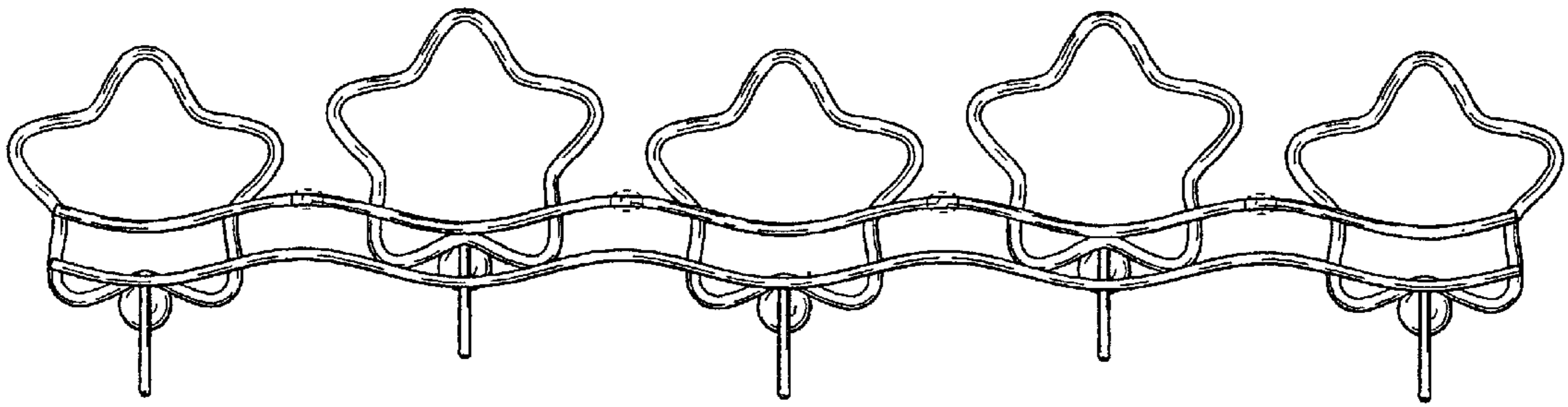


Fig.10

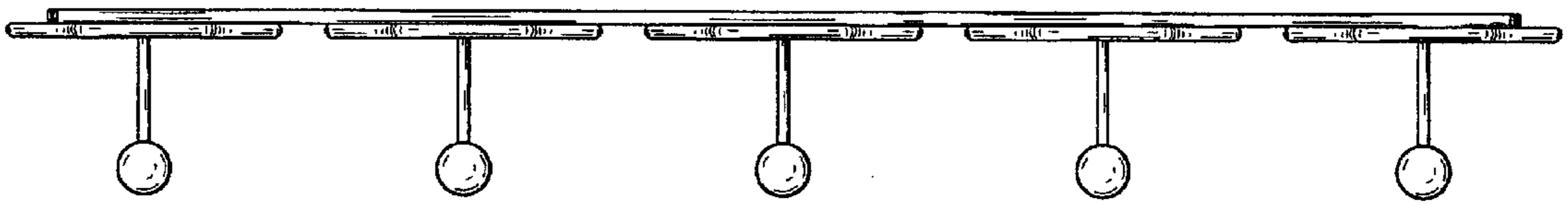


Fig.11

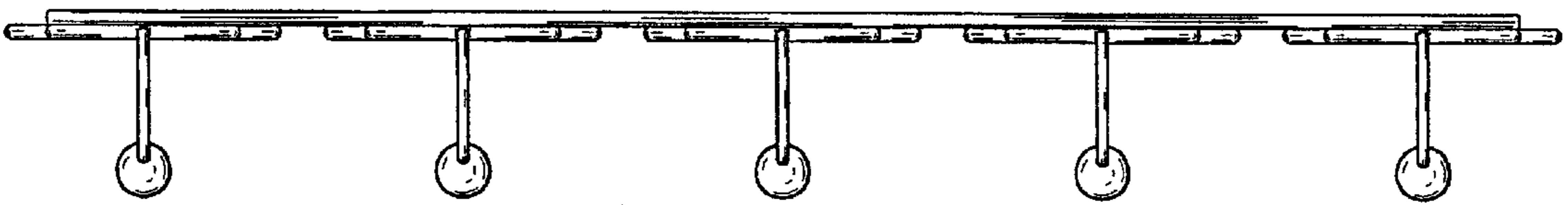


Fig.12

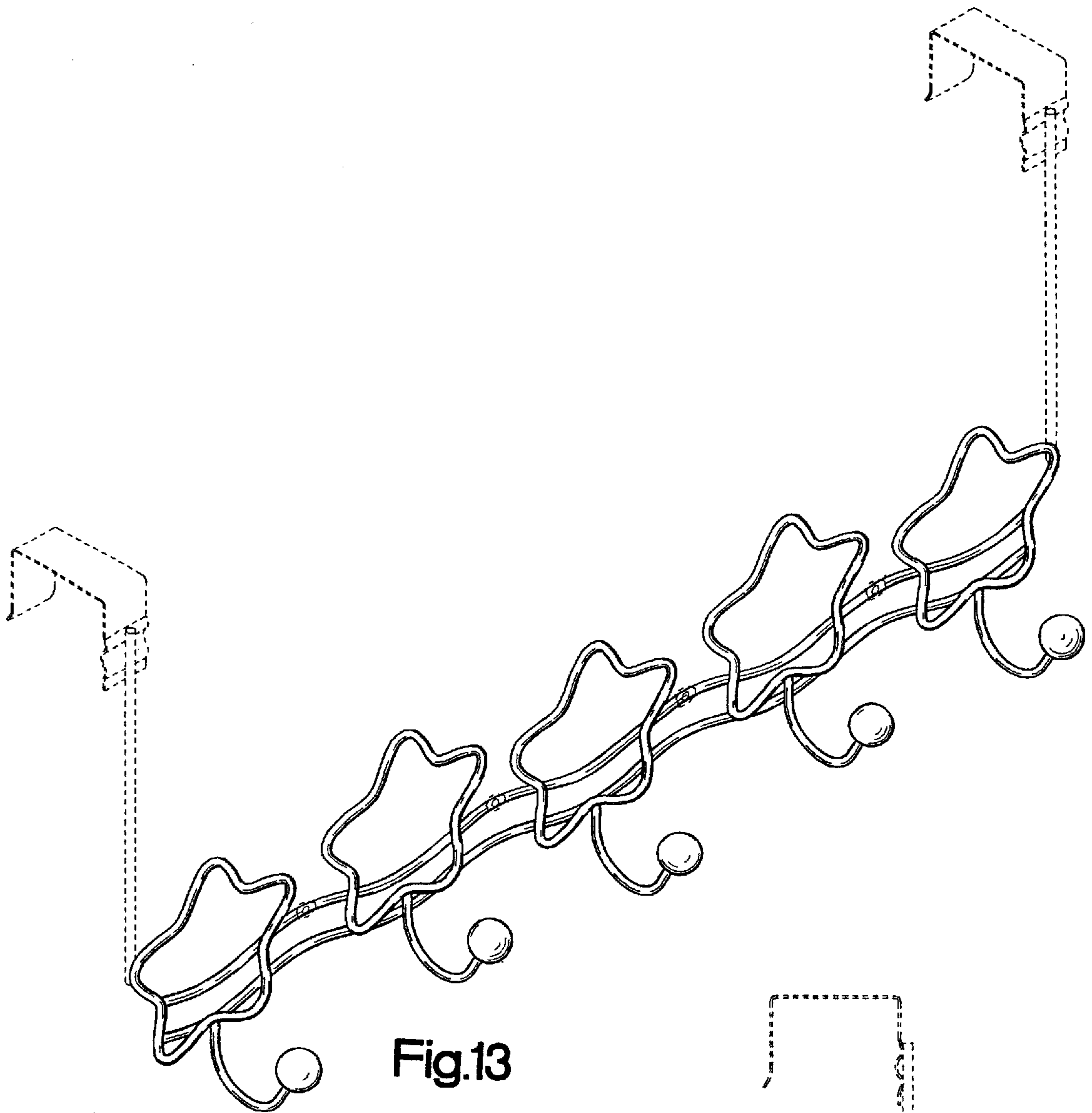


Fig.13

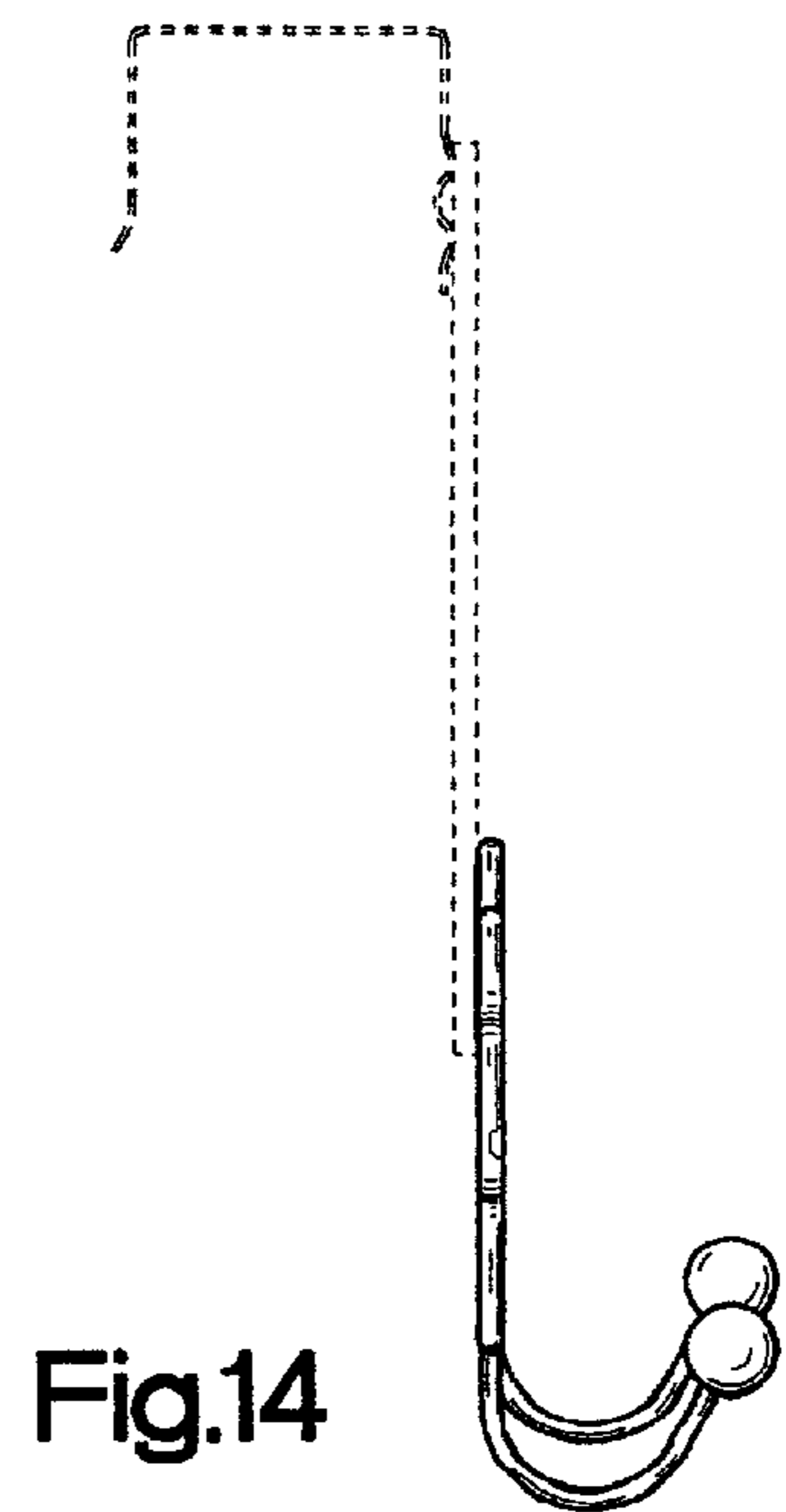


Fig.14

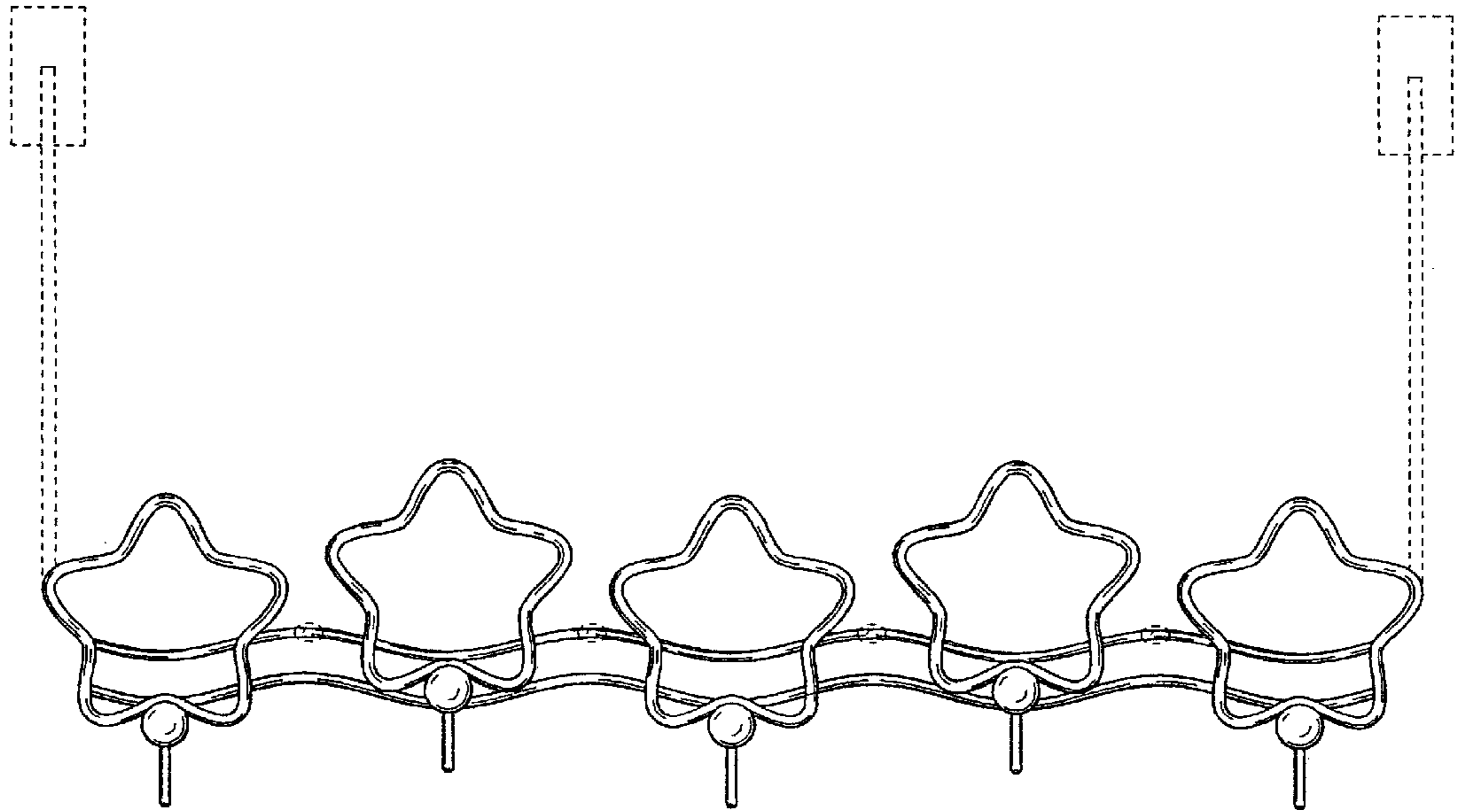


Fig.15

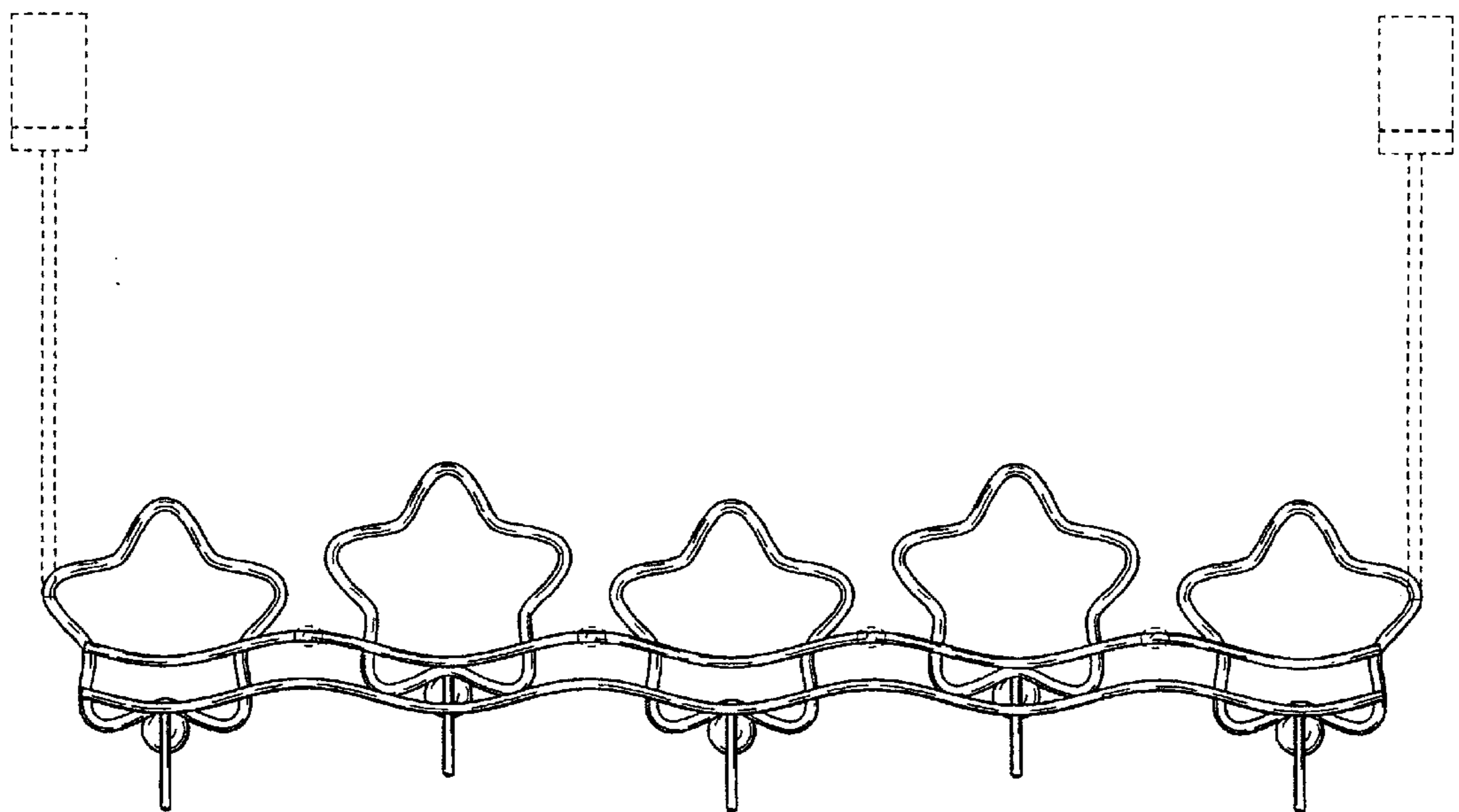


Fig.16

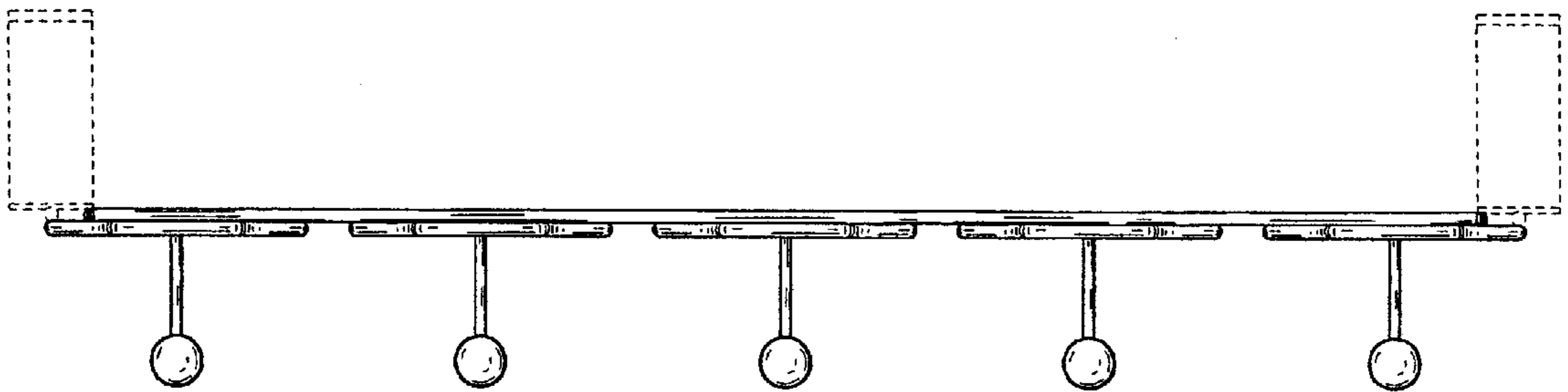


Fig.17

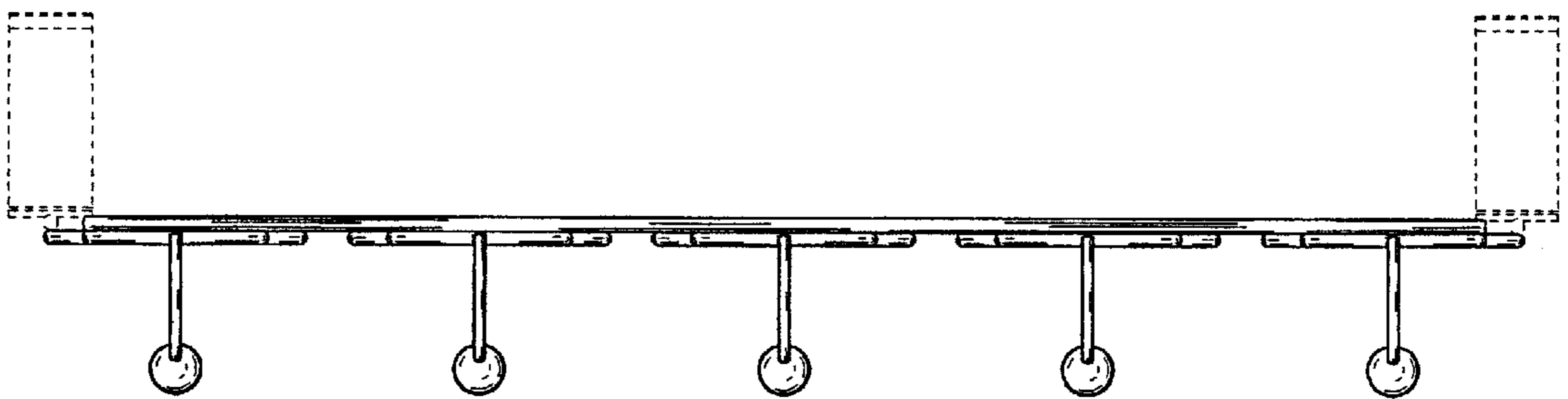


Fig.18