



US00D481924S

(12) **United States Design Patent**
Hulsebus

(10) **Patent No.:** **US D481,924 S**

(45) **Date of Patent:** **** Nov. 11, 2003**

(54) **TOILET SEAT HINGE**

(75) **Inventor:** **Randy K. Hulsebus**, Plymouth, WI (US)

(73) **Assignee:** **Bemis Manufacturing Company**, Sheboygan Falls, WI (US)

(**) **Term:** **14 Years**

D370,252 S	5/1996	Hulsebus	
5,515,552 A	5/1996	Tolsma	
D385,020 S	* 10/1997	Francke D8/323
5,933,875 A	8/1999	Hulsebus et al.	
D423,655 S	4/2000	Otte	
6,070,295 A	6/2000	Hulsebus	
D428,126 S	7/2000	Hulsebus et al.	
D434,839 S	12/2000	Hulsebus et al.	
D437,921 S	2/2001	Hulsebus et al.	

(21) **Appl. No.:** **29/138,892**

(22) **Filed:** **Mar. 21, 2001**

(51) **LOC (7) Cl.** **08-06**

(52) **U.S. Cl.** **D8/326**

(58) **Field of Search** D8/323-326; 16/225, 16/284, 321, 335, 341, 342, 312, 313; 4/240, 236, 234

FOREIGN PATENT DOCUMENTS

CA	563206	9/1958
DE	917 032	8/1954
DE	214 376	8/1961
DE	44 09 516 A1	9/1994
GB	674658	6/1952
GB	692276	6/1953

* cited by examiner

Primary Examiner—Louis S. Zarfes

Assistant Examiner—Deanne Levy

(74) *Attorney, Agent, or Firm*—Michael Best & Friedrich LLP

(56) **References Cited**

U.S. PATENT DOCUMENTS

D188,091 S	*	6/1960	Coggins	D8/326
3,506,983 A	*	4/1970	Coggins	4/236
3,568,221 A	*	3/1971	Haldopoulos	4/240
3,965,493 A		6/1976	Bemis		
4,080,671 A		3/1978	Stahli		
4,133,061 A		1/1979	Hurd		
4,159,548 A		7/1979	Hewson		
4,213,211 A		7/1980	Bemis et al.		
4,309,780 A		1/1982	Fantetti		
4,319,365 A		3/1982	Bemis et al.		
4,326,307 A		4/1982	Baillie et al.		
4,416,048 A		11/1983	Otte		
4,658,447 A	*	4/1987	Smith	4/236
4,832,573 A		5/1989	Dorski		
4,939,796 A		7/1990	Pepper		
4,970,731 A		11/1990	Fait		
4,985,939 A		1/1991	Otte		
5,175,891 A		1/1993	Ohshima et al.		
5,405,003 A		4/1995	Schmidt et al.		
D358,973 S		6/1995	Spaeth		

(57) **CLAIM**

The ornamental design for a toilet seat hinge, as shown and described.

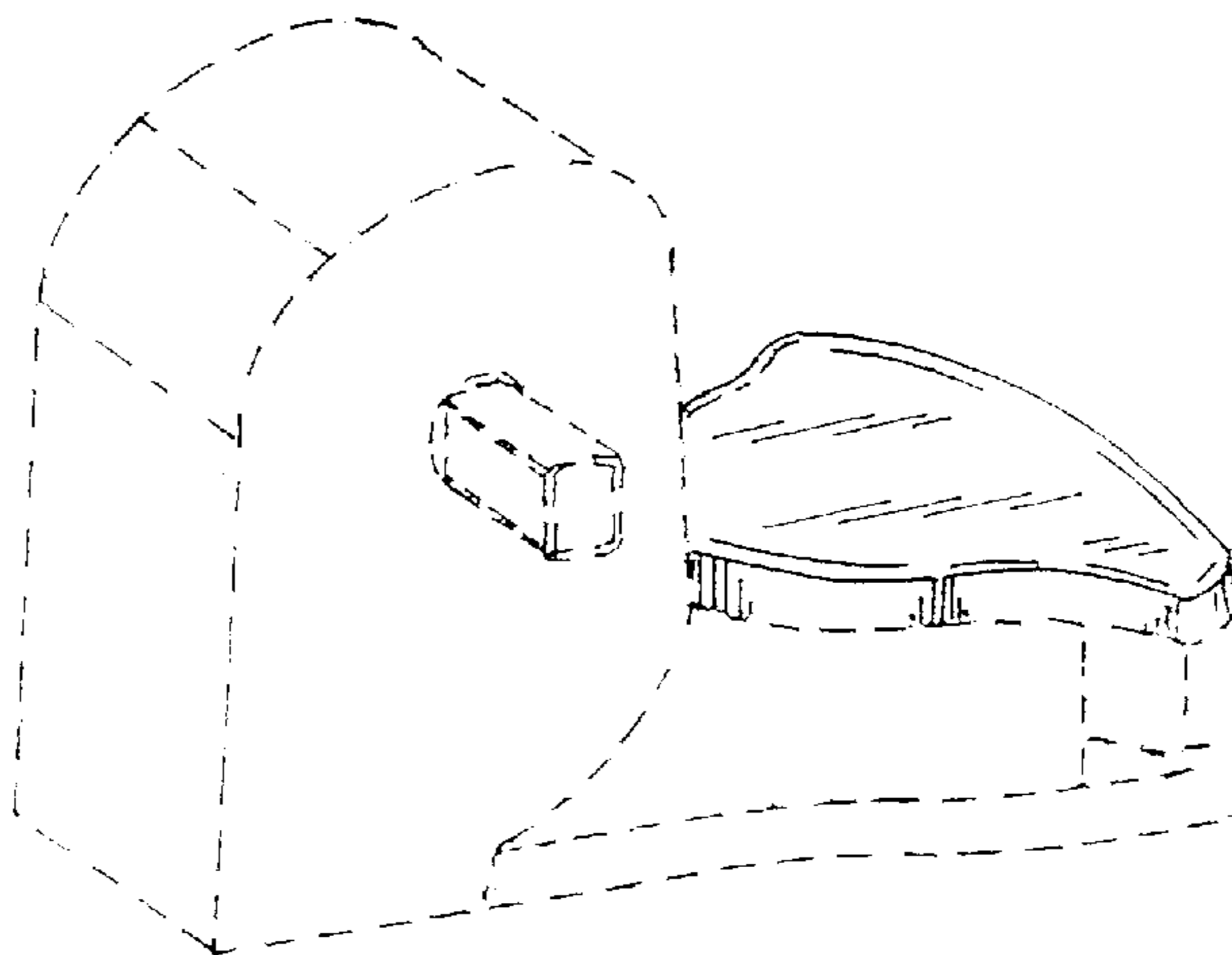
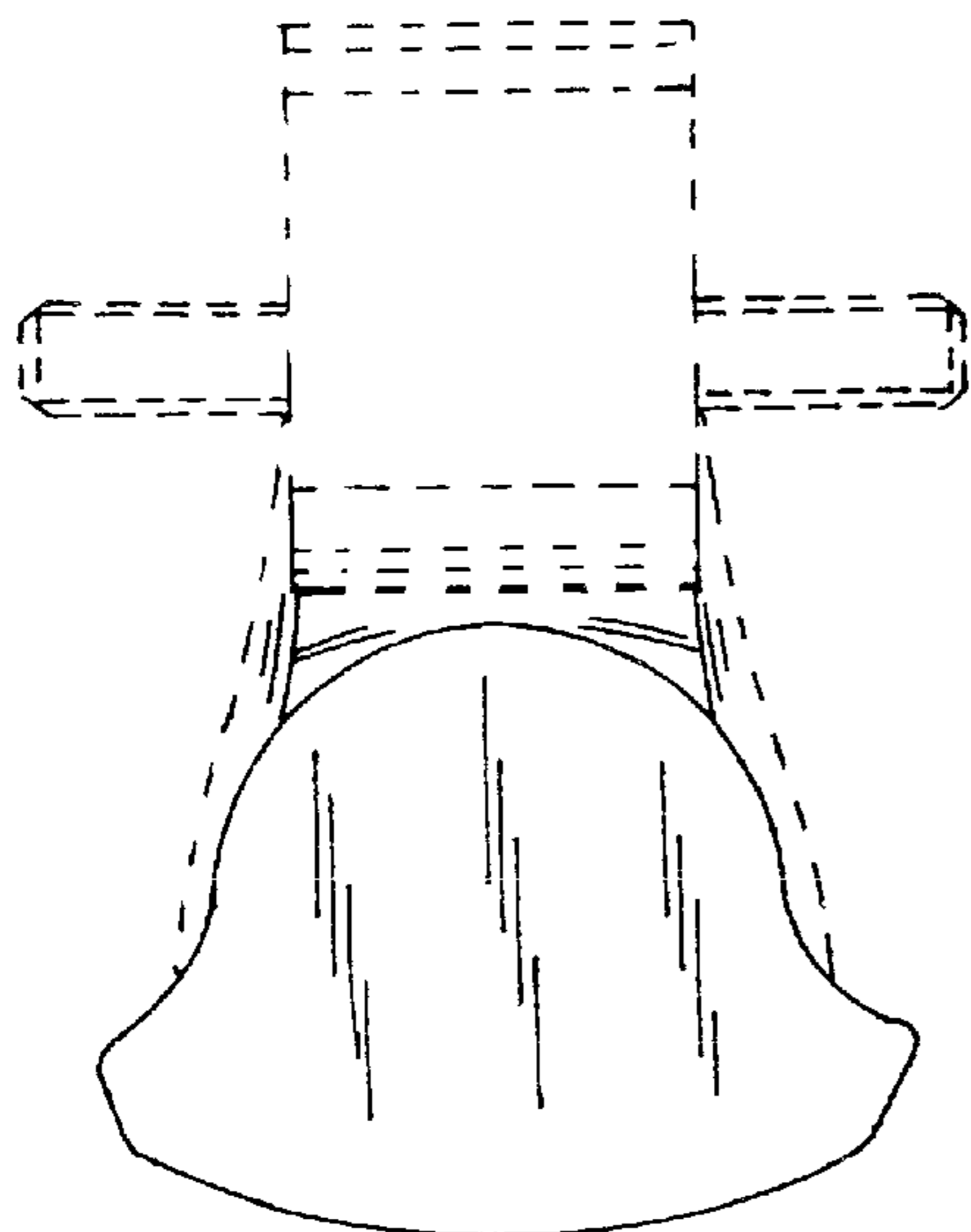
DESCRIPTION

FIG. 1 is top plan view of the toilet seat hinge embodying my new design, with portions shown in dotted lines; and FIG. 2 is a top plan view of an alternative embodiment of my design, with portions shown in dotted lines.

FIG. 3 is a side view of the toilet seat hinge of FIG. 2; and, FIG. 4 is a perspective view of the toilet seat hinge of FIG. 1.

The portions of the hinge shown in broken lines are for illustrative purposes only and form no part of the claimed design.

1 Claim, 2 Drawing Sheets



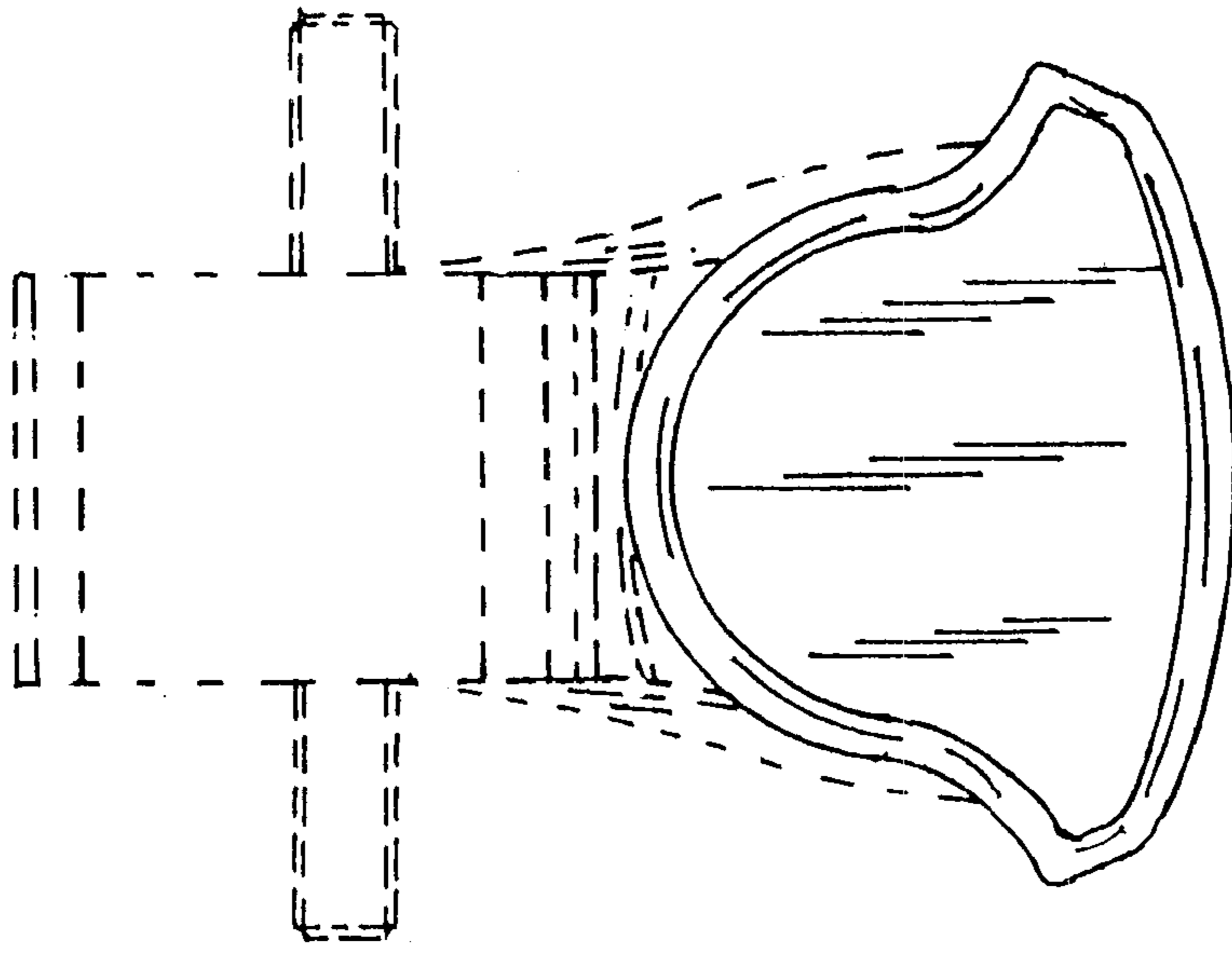


Fig. 2

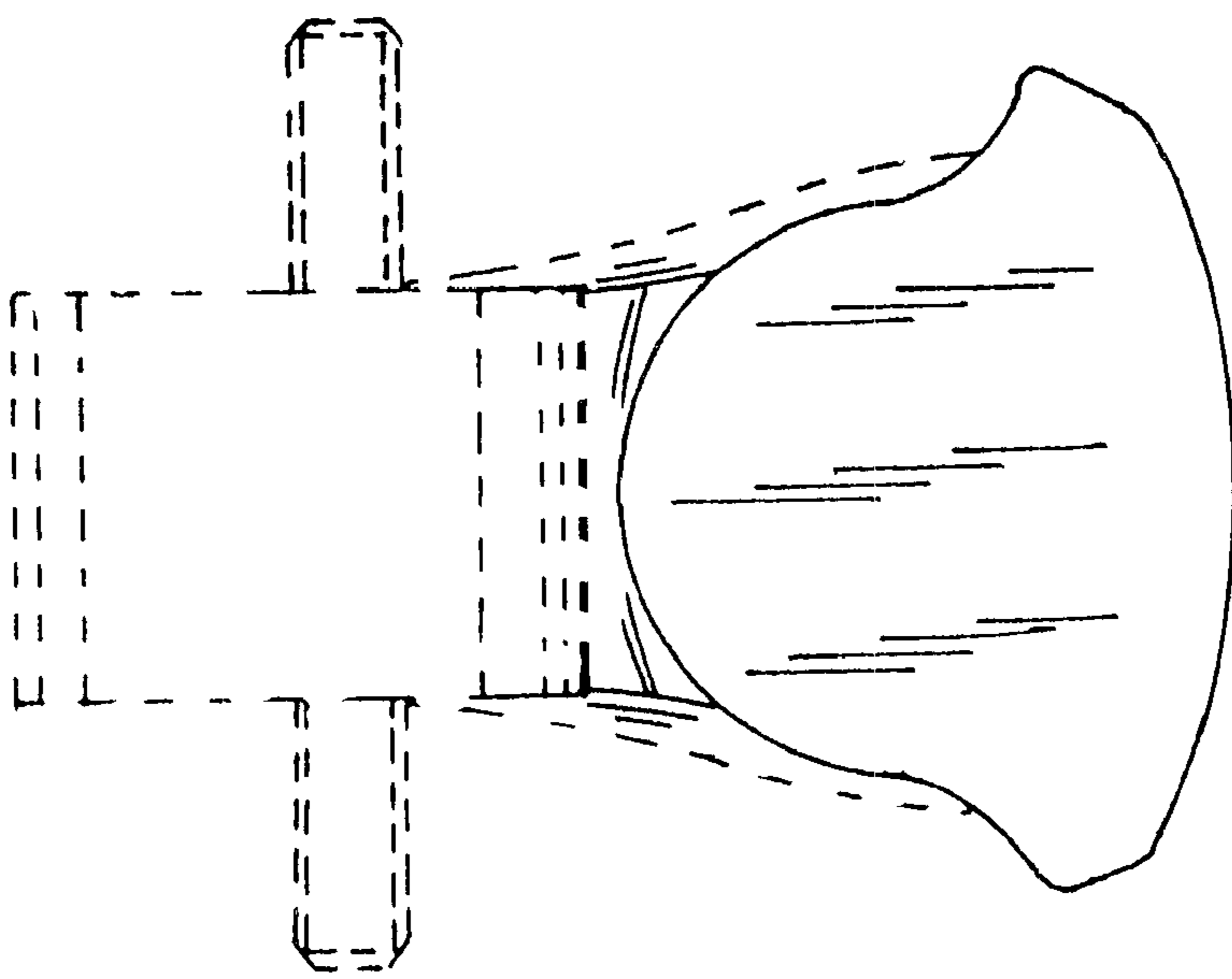


Fig. 1

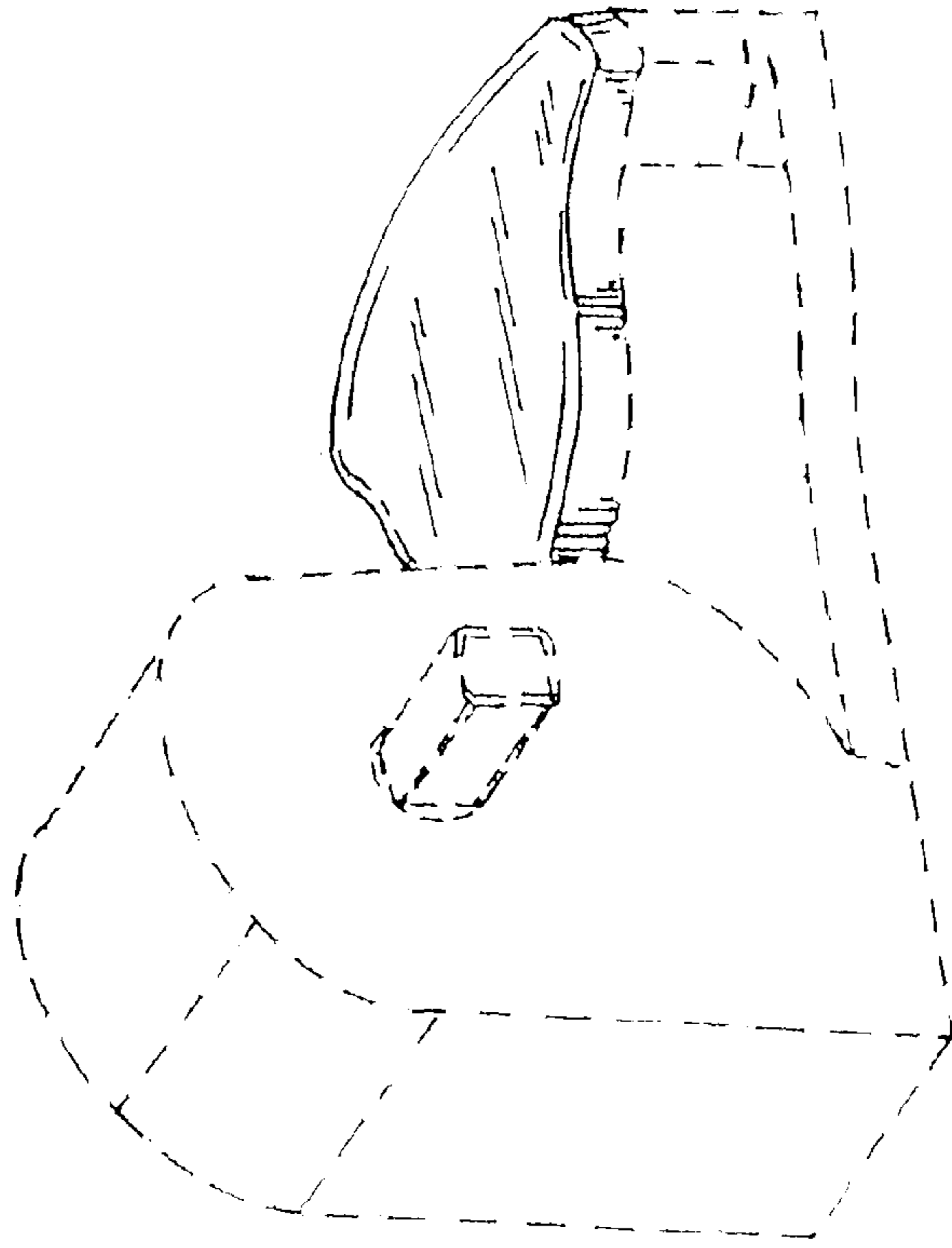


Fig. 4

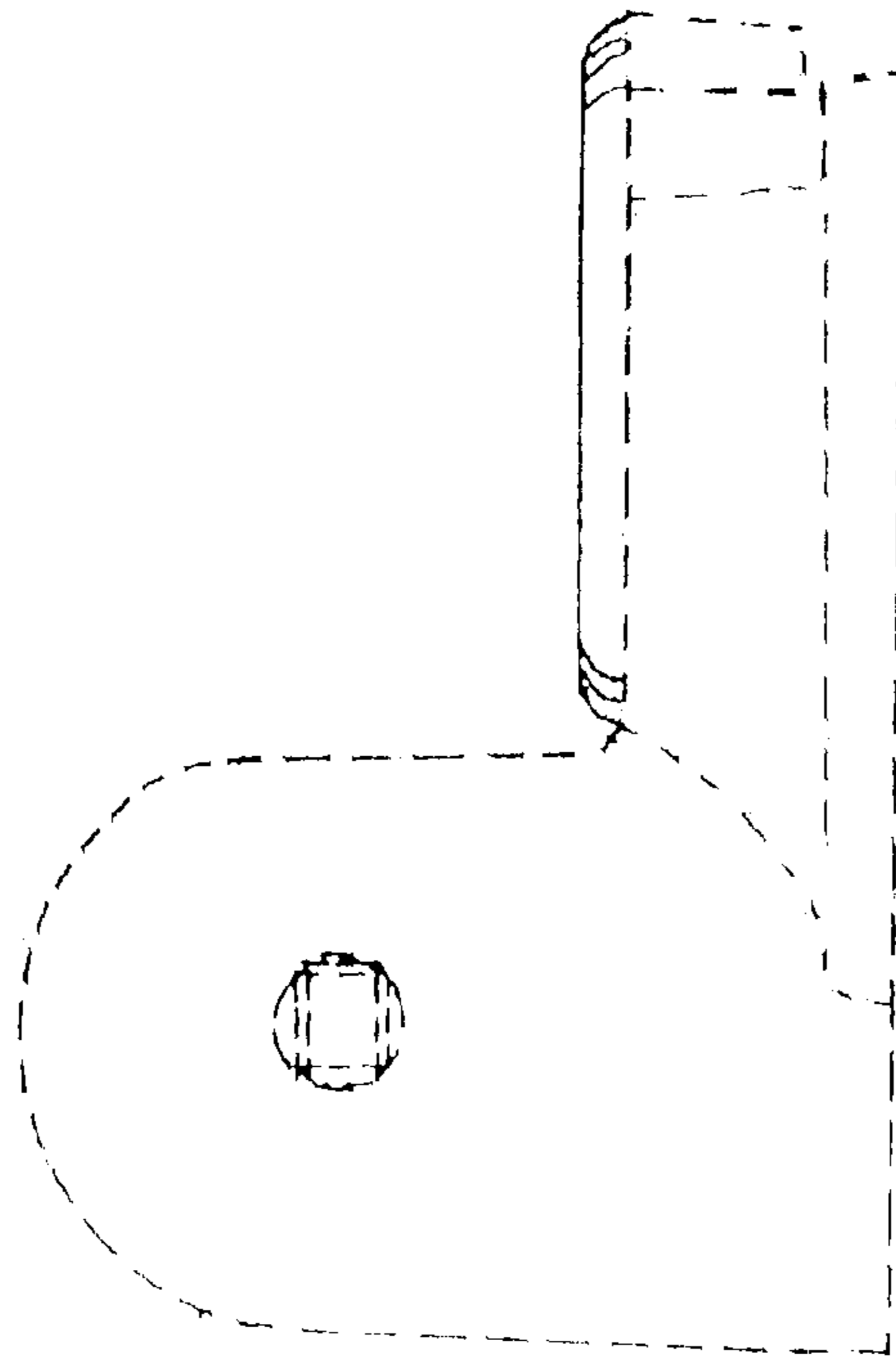


Fig. 3