



US00D481920S

(12) **United States Design Patent**  
**Winig et al.**

(10) **Patent No.:** **US D481,920 S**

(45) **Date of Patent:** **\*\* Nov. 11, 2003**

(54) **TOOL HOLDER**

(75) **Inventors:** **Alan Winig**, Wynnewood, PA (US);  
**Richard Winig**, Villanova, PA (US);  
**James Eldon**, Barto, PA (US)

(73) **Assignee:** **Eye Designs LLC**, Collegetown, PA (US)

(\*\*) **Term:** **14 Years**

(21) **Appl. No.:** **29/175,165**

(22) **Filed:** **Jan. 30, 2003**

(51) **LOC (7) Cl.** ..... **08-05**

(52) **U.S. Cl.** ..... **D8/71**

(58) **Field of Search** ..... D8/71, 14.1, 64,  
D8/66, 70, 72, 73, 74, 349, 354, 373; D15/130,  
132, 138, 139, 140, 141; 33/474, 533, 613;  
81/177.1, 177.4, 437, 438, 439, 490; 82/161;  
83/581, 760, 762, 763, 764, 766; 142/48,  
49, 55; 211/60.1, 70.6; 248/80, 153, 175,  
176.1, 201, 304, 309.1, 312, 312.1, 315,  
316.8; 269/41, 42, 283

4,597,496 A	7/1986	Kaplan	
4,905,951 A	3/1990	Putness	
D313,550 S	* 1/1991	Lorincz	..... D8/373
5,005,710 A	4/1991	Hofer	
5,201,430 A	4/1993	Artzer	
5,515,969 A	5/1996	Schonenbach	
5,573,111 A	11/1996	Gordon et al.	
5,706,936 A	1/1998	Bernstein	
5,711,419 A	1/1998	Beales et al.	
5,738,228 A	4/1998	Bittinger	
5,855,274 A	1/1999	Piao	
5,915,572 A	6/1999	Hancock	
D430,583 S	* 9/2000	Fang et al.	..... D15/139
6,164,448 A	* 12/2000	Schmutz et al.	..... 211/60.1
6,450,338 B1	9/2002	Chen	
6,508,369 B2	* 1/2003	Wang	..... 211/60.1

\* cited by examiner

*Primary Examiner*—Doris V. Coles

*Assistant Examiner*—T. Chase Nelson

(74) *Attorney, Agent, or Firm*—Duane Morris LLP

(57) **CLAIM**

The ornamental design for a tool holder, as shown and described.

**DESCRIPTION**

FIG. 1 is a perspective view of the tool holder according to the invention;

FIG. 2 is a top view of the tool holder;

FIG. 3 is a bottom view of the tool holder;

FIG. 4 is a left view of the tool holder;

FIG. 5 is a right view of the tool holder;

FIG. 6 is a front view of the tool holder; and,

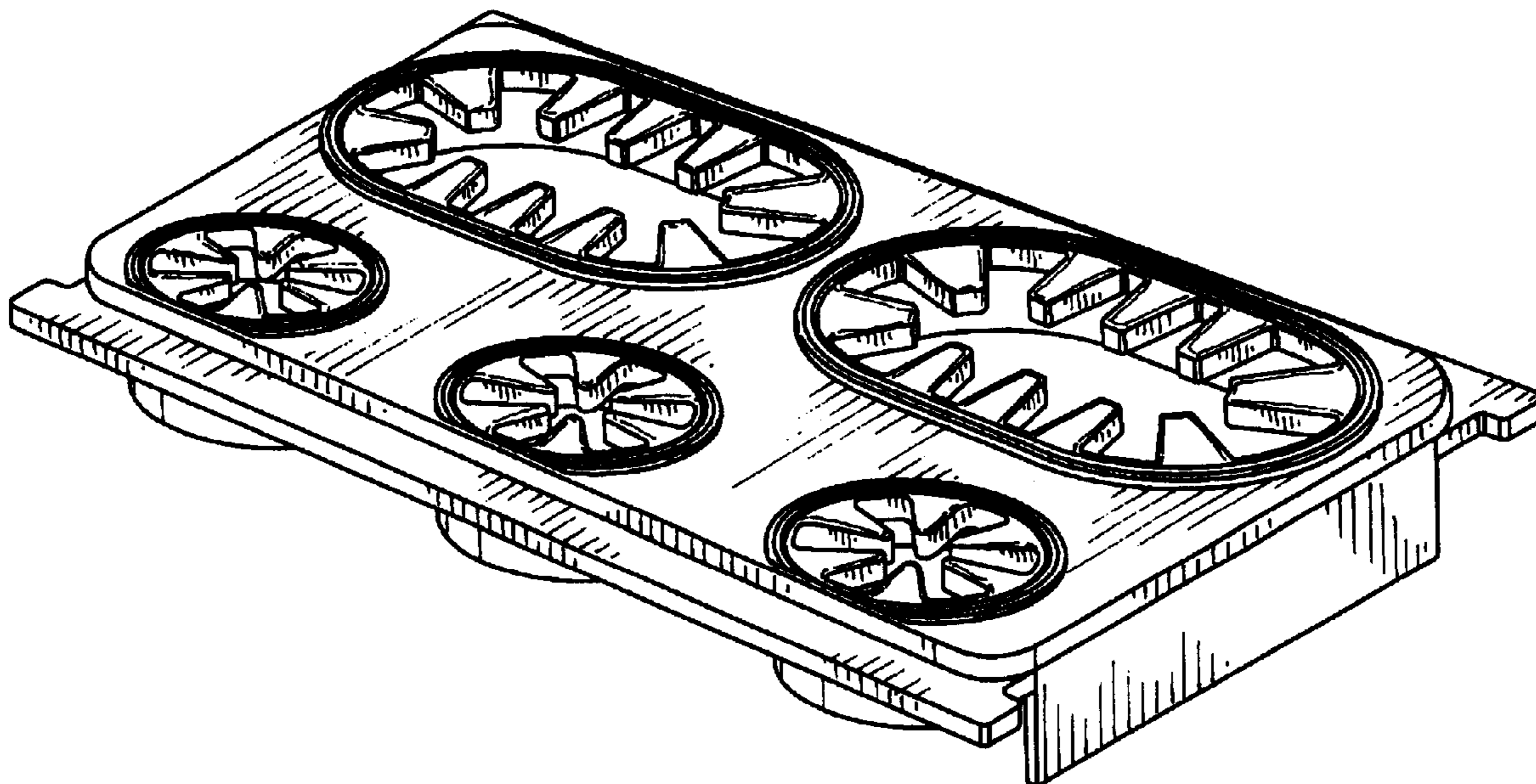
FIG. 7 is a rear view of the tool holder.

**1 Claim, 3 Drawing Sheets**

(56) **References Cited**

**U.S. PATENT DOCUMENTS**

1,958,772 A	5/1934	Stewart	
1,992,857 A	2/1935	Breedlove	
2,121,307 A	6/1938	Swift	
2,785,919 A	3/1957	Grondzik	
2,956,687 A	10/1960	Robichaud	
2,995,256 A	8/1961	Schoenfisch	
3,063,569 A	11/1962	Huber	
3,269,550 A	* 8/1966	Marcus	..... 211/70.6
4,325,484 A	4/1982	Berry	
4,439,884 A	4/1984	Giorni	



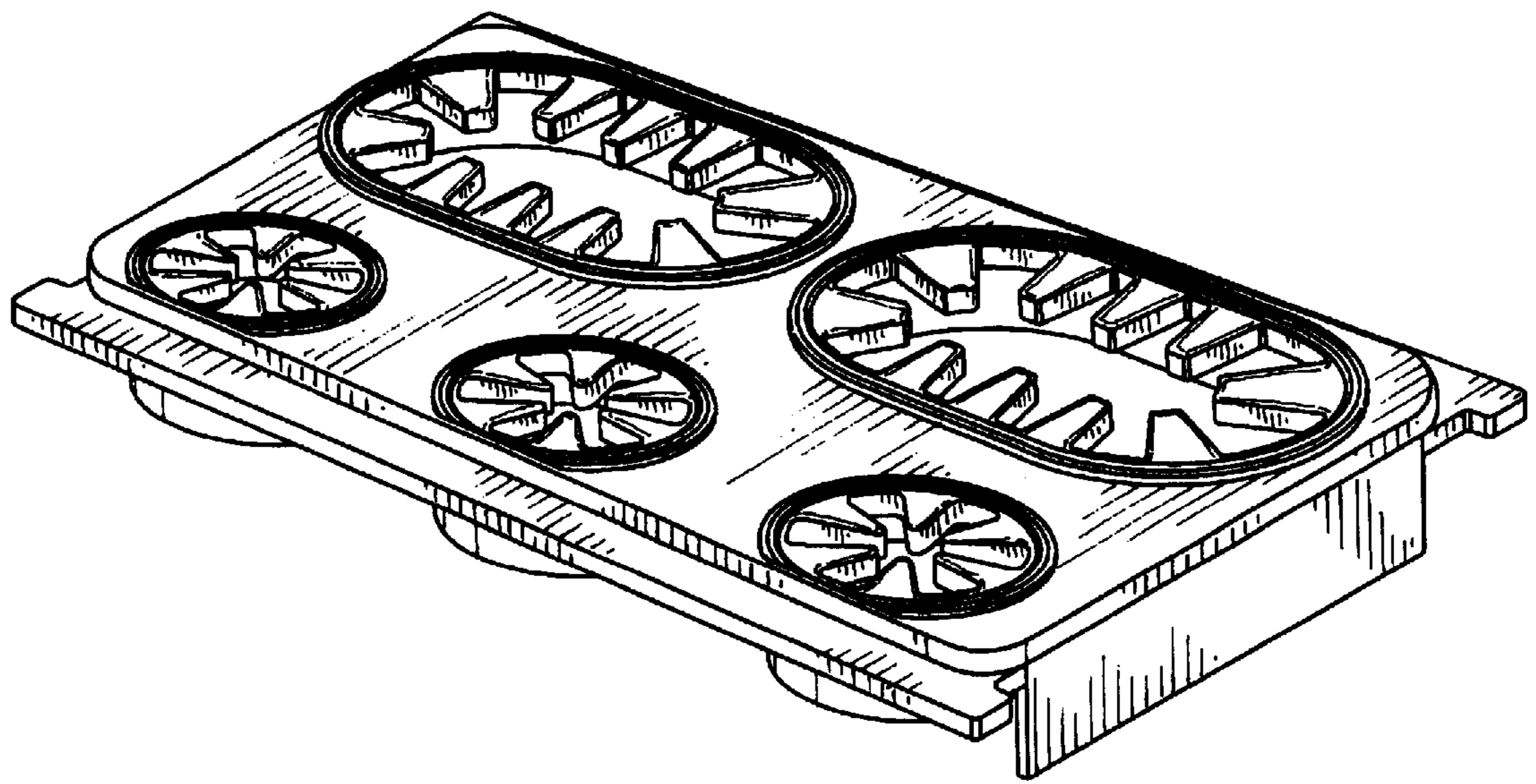


FIG. 1

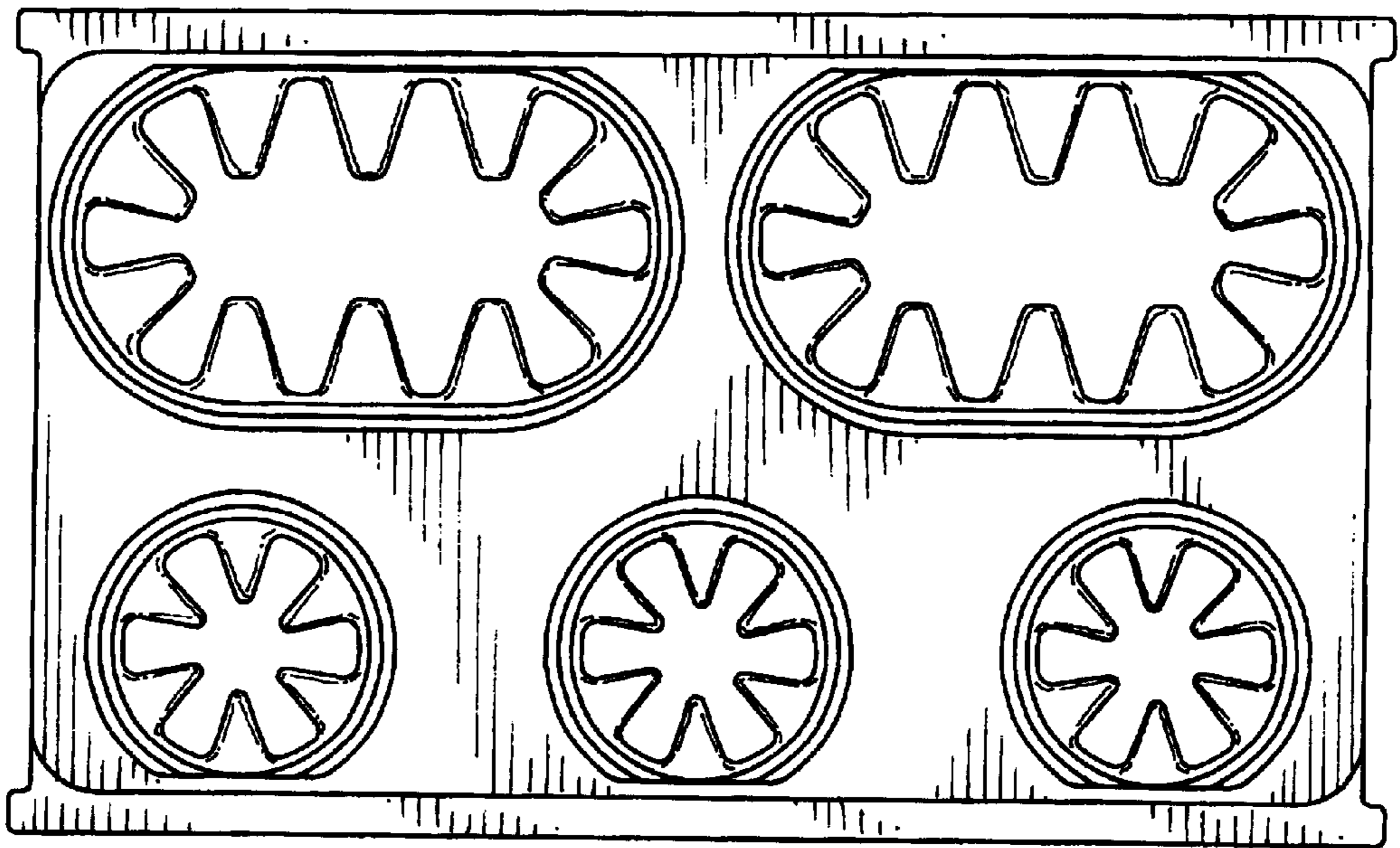


FIG. 2

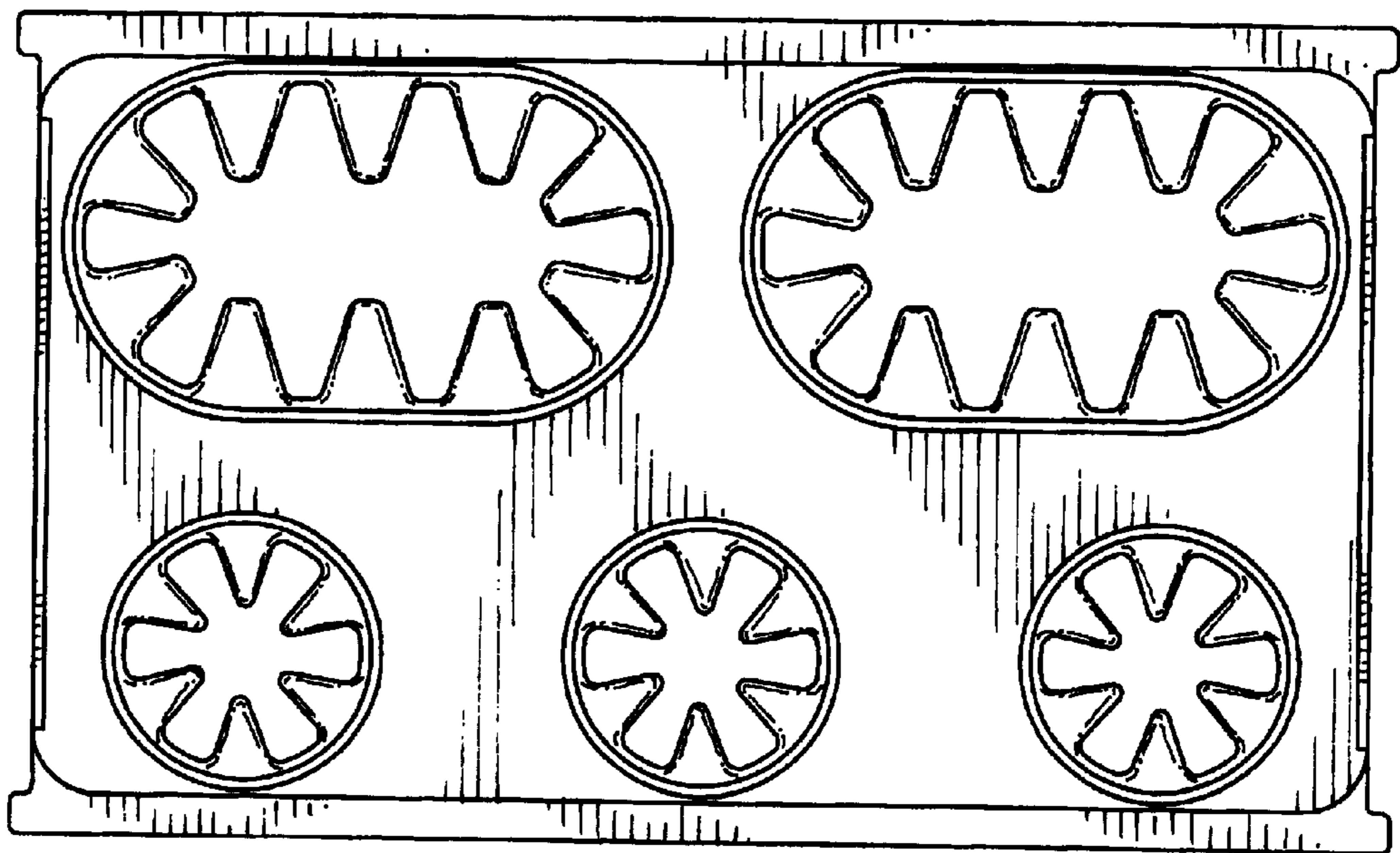


FIG. 3



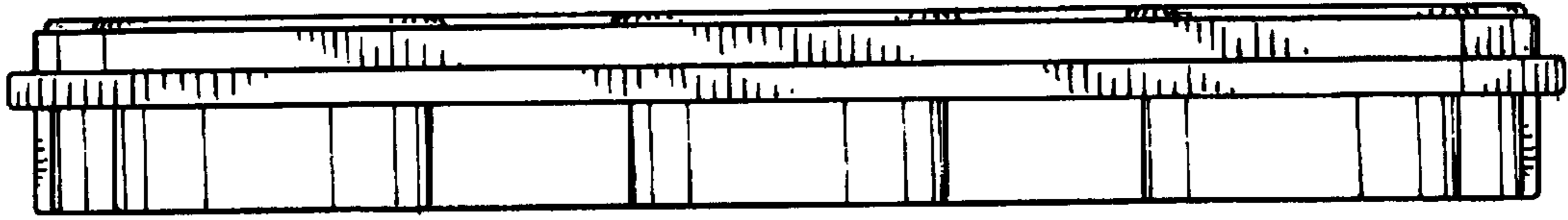


FIG. 4

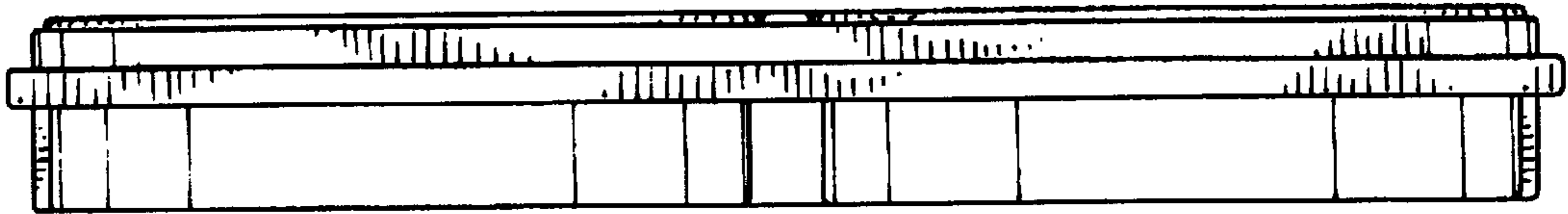


FIG. 5

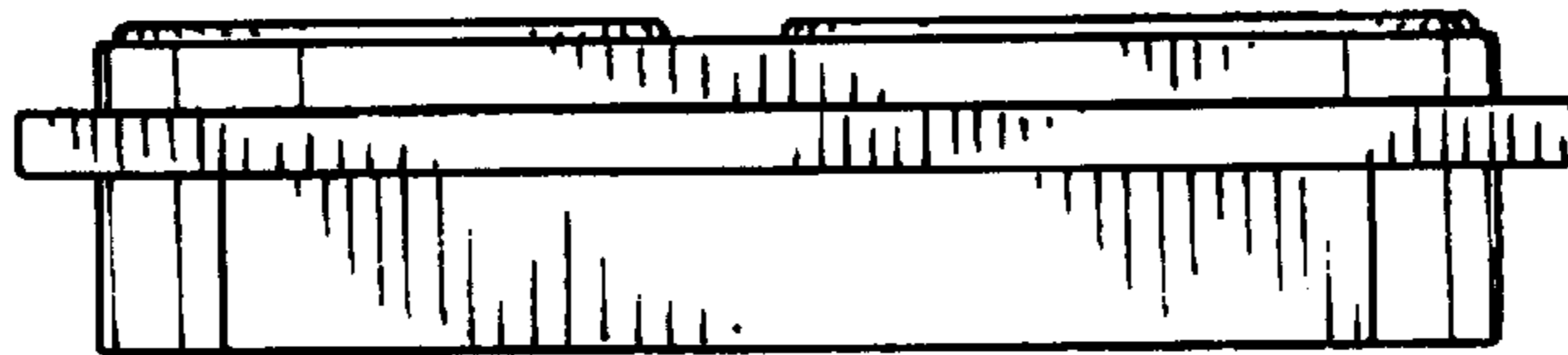


FIG. 6

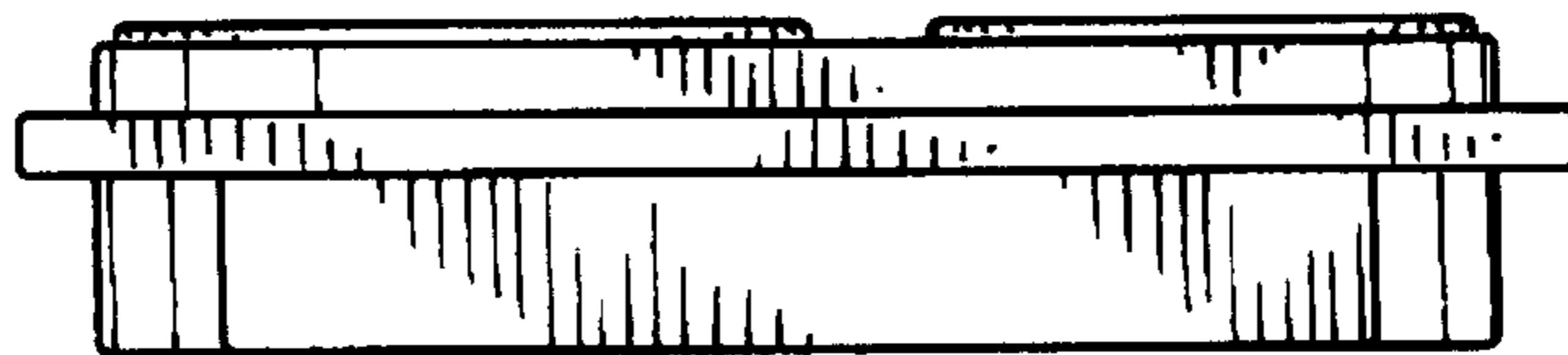


FIG. 7