



US00D481919S

(12) **United States Design Patent**
Sham et al.

(10) **Patent No.:** **US D481,919 S**

(45) **Date of Patent:** **** Nov. 11, 2003**

(54) **SPEED SAW**

(75) Inventors: **Tailun Kam Lun Sham**, Tai Po (HK);
Kenneth M. Brazell, Piedmont, SC
(US); **Charles M. Wacker**, Belton, SC
(US)

(73) Assignee: **One World Technologies Limited**,
Hamilton (BM)

(**) Term: **14 Years**

(21) Appl. No.: **29/172,614**

(22) Filed: **Dec. 13, 2002**

(51) **LOC (7) Cl.** **08-03**

(52) **U.S. Cl.** **D8/64**

(58) **Field of Search** D8/61, 64, 65,
D8/66, 67, 69; D24/146; 30/166.3, 374,
375, 376, 377, 388, 390, 391, 392, 393,
394; 409/180, 181, 182; 83/397, 699.21

(56) **References Cited**

U.S. PATENT DOCUMENTS

D364,790 S	*	12/1995	Duennes	D8/61
5,829,931 A	*	11/1998	Doumani	409/132
5,902,080 A	*	5/1999	Kopras	409/182
D433,905 S	*	11/2000	Cooper	D8/61
D437,757 S	*	2/2001	Thomson et al.	D8/61

D438,076 S	*	2/2001	Wikle et al.	D8/61
D446,100 S	*	8/2001	Heun	D8/61
D447,030 S	*	8/2001	Chen	D8/61
D471,781 S	*	3/2003	Heun	D8/61

* cited by examiner

Primary Examiner—Doris V. Coles

Assistant Examiner—Elizabeth Albert

(74) *Attorney, Agent, or Firm*—Andrew Y. Pang; Nexsen
Pruet Jacobs & Pollard, LLC

(57) **CLAIM**

The ornamental design for a speed saw, as shown and described.

DESCRIPTION

FIG. 1 is a right front perspective view of the speed saw of the present invention;

FIG. 2 is a left front perspective view thereof;

FIG. 3 is a right side elevational view thereof;

FIG. 4 is a left side elevational view thereof;

FIG. 5 is a front end view thereof;

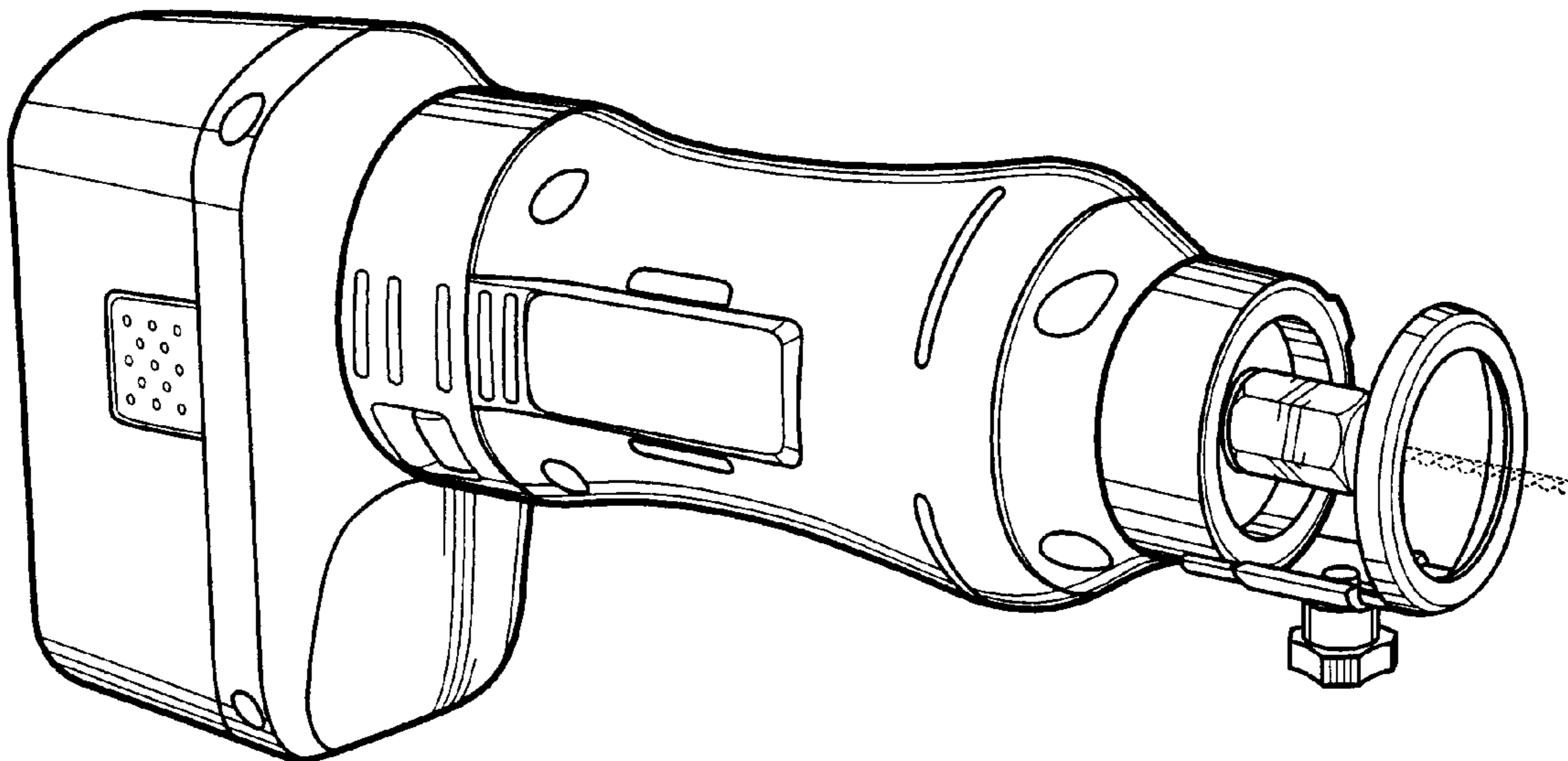
FIG. 6 is a rear end view thereof;

FIG. 7 is a top view thereof; and,

FIG. 8 is a bottom view thereof.

The broken lines shown in FIGS. 1 through 5, and 7 and 8 are for illustrative purposes only and form no part of the claimed design.

1 Claim, 3 Drawing Sheets



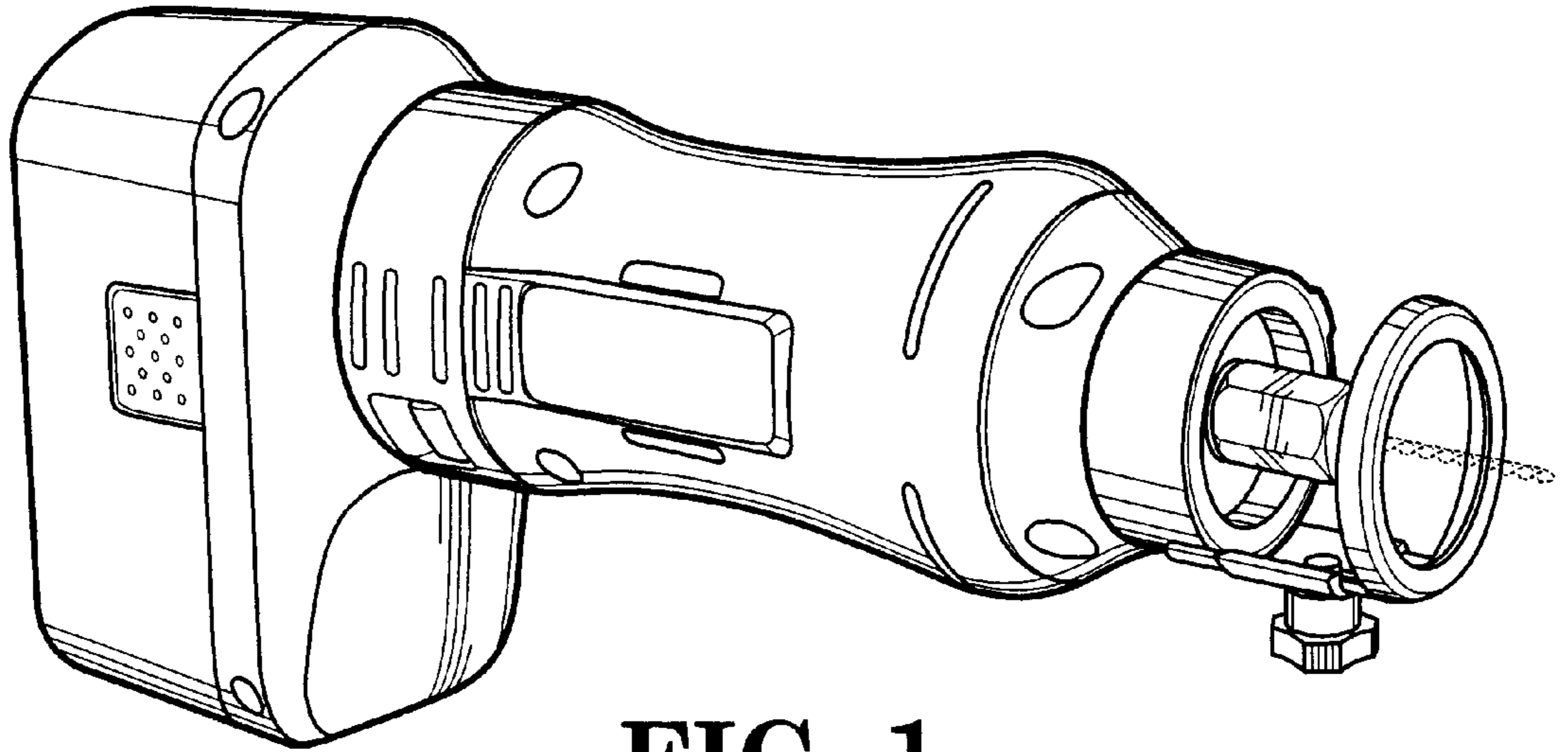


FIG. 1

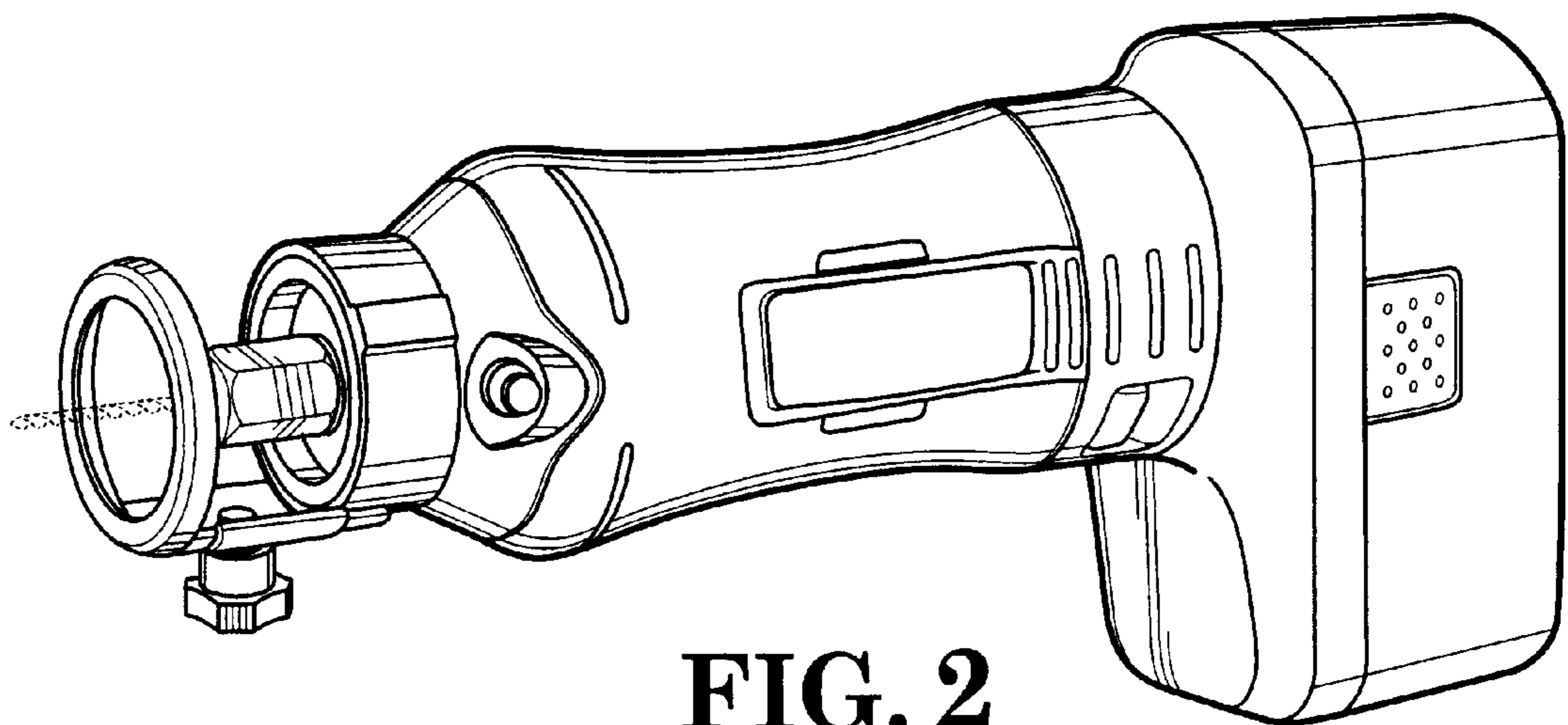


FIG. 2

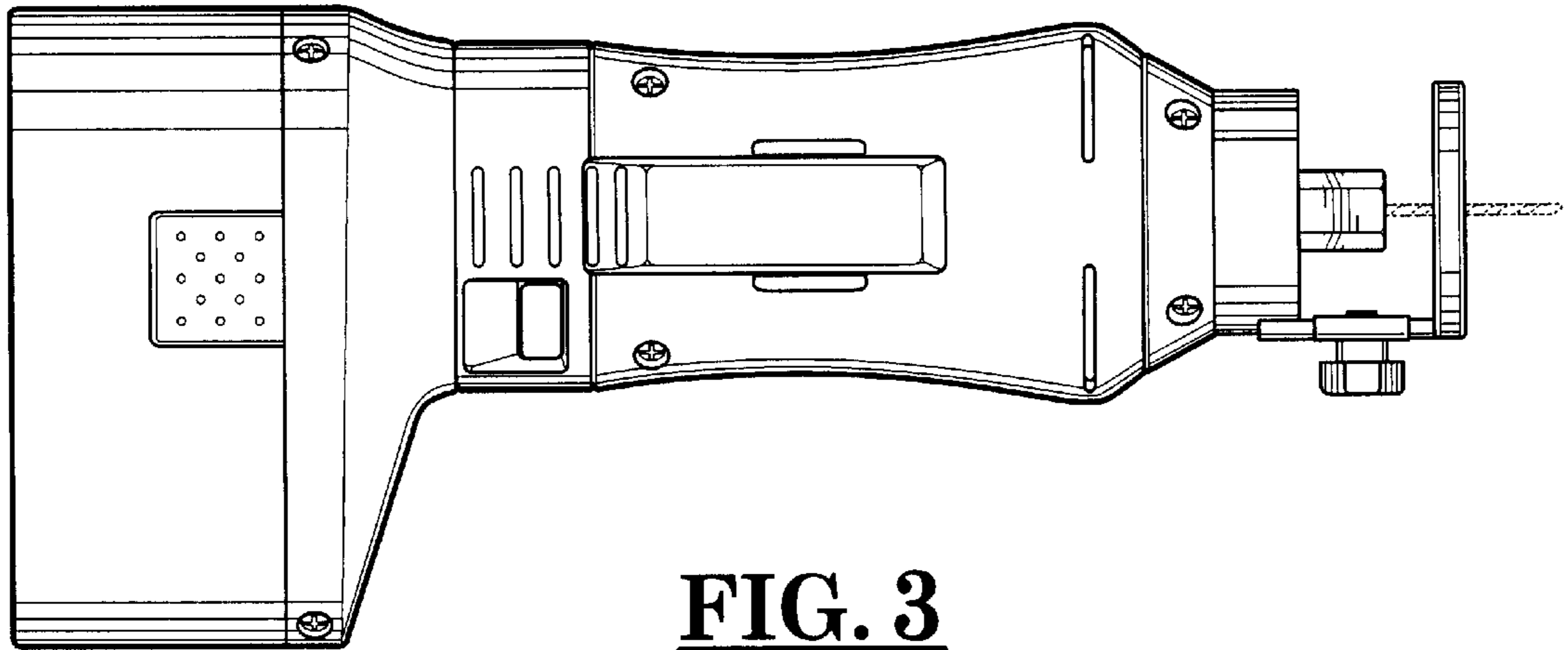


FIG. 3

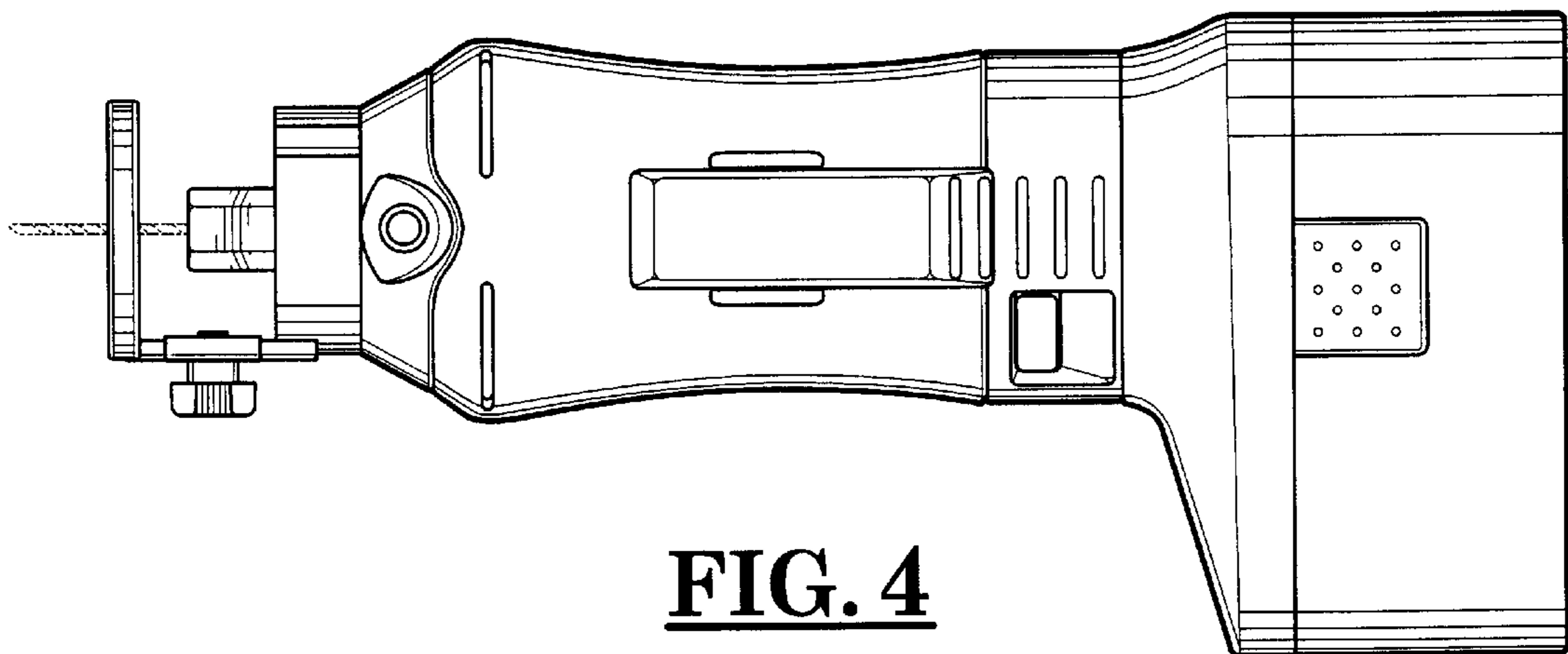


FIG. 4

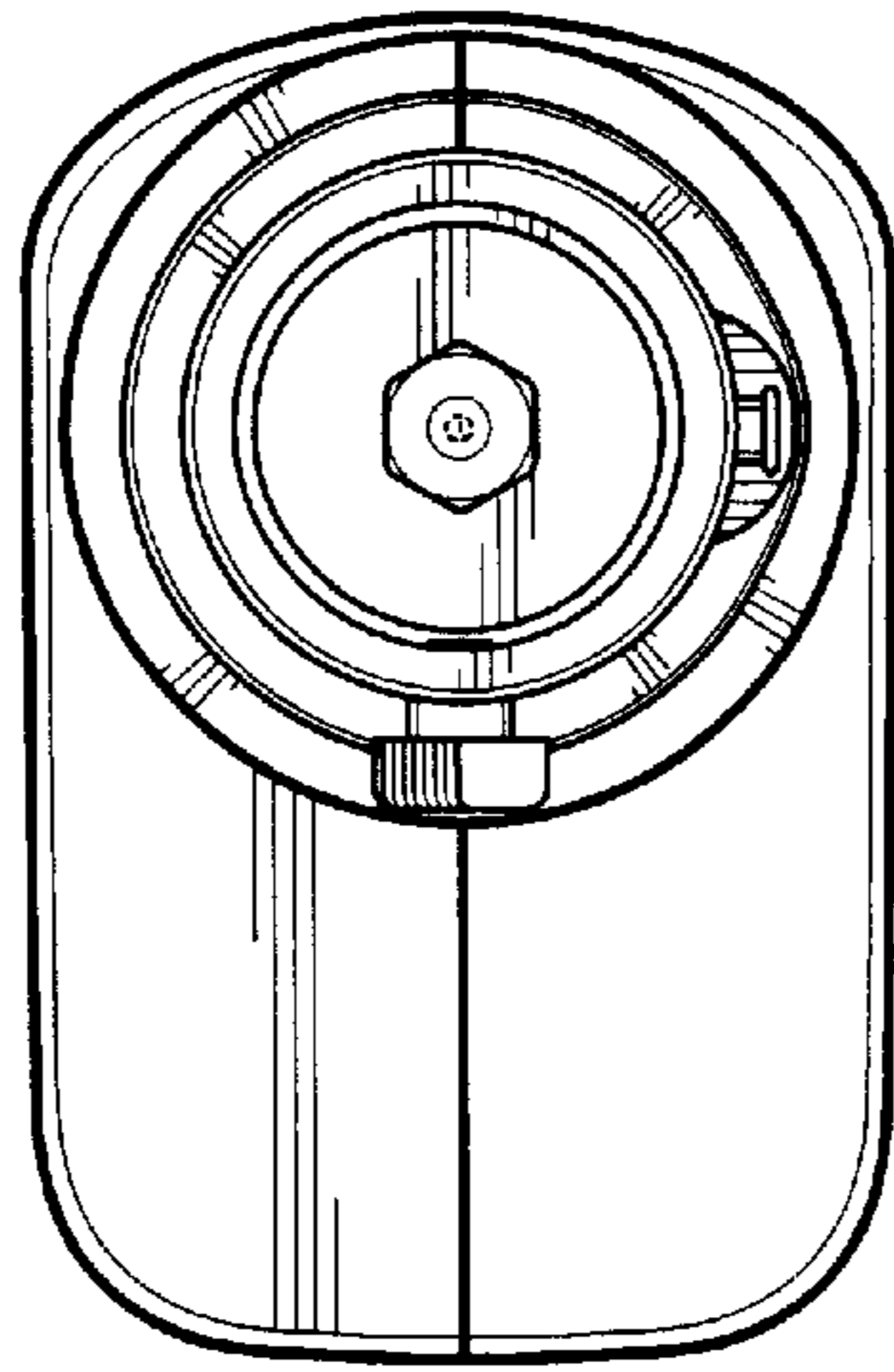


FIG. 5

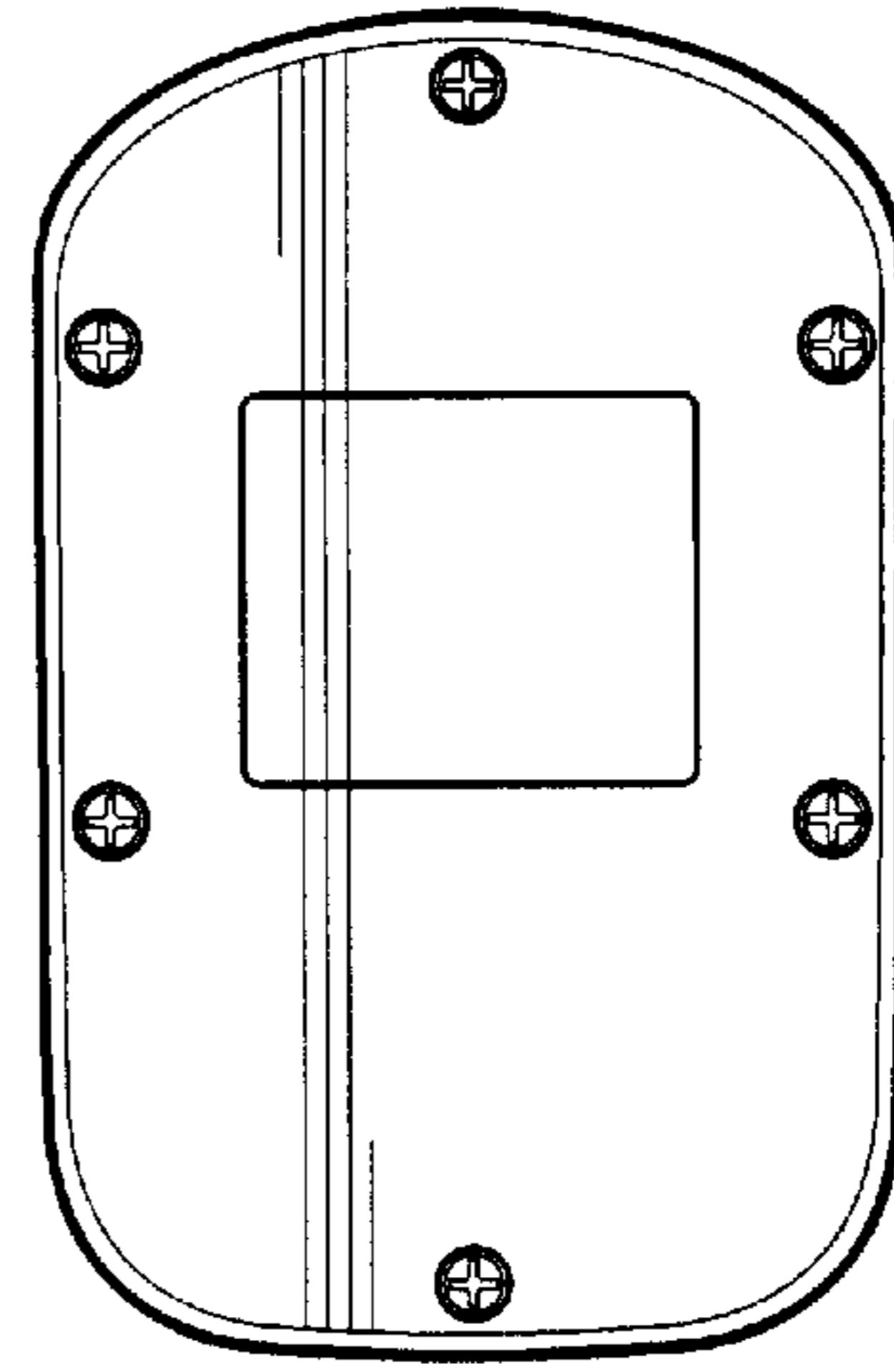


FIG. 6

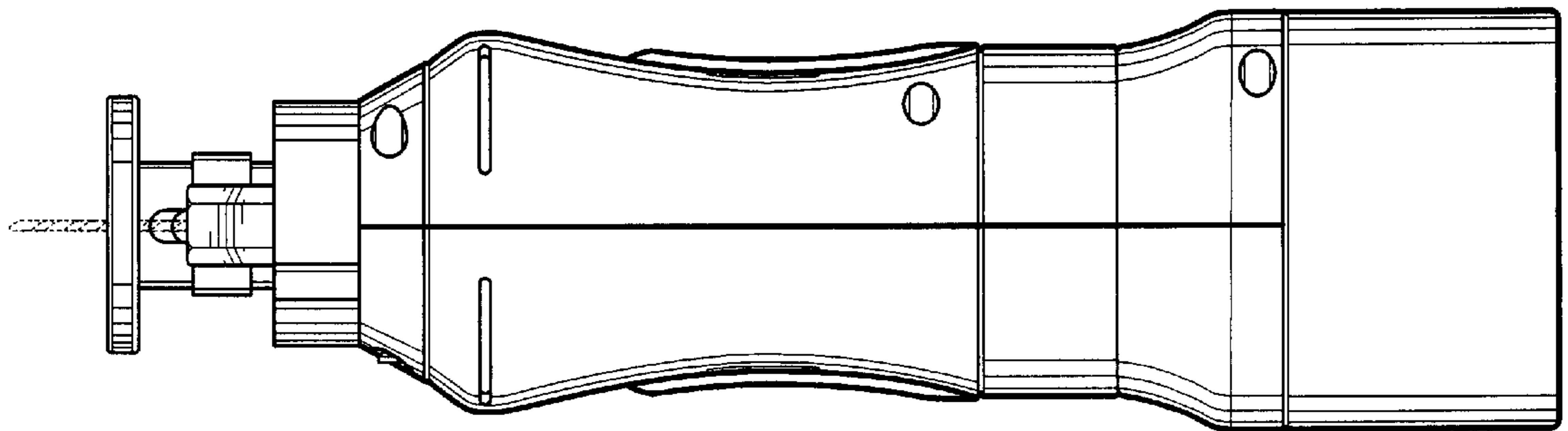


FIG. 7

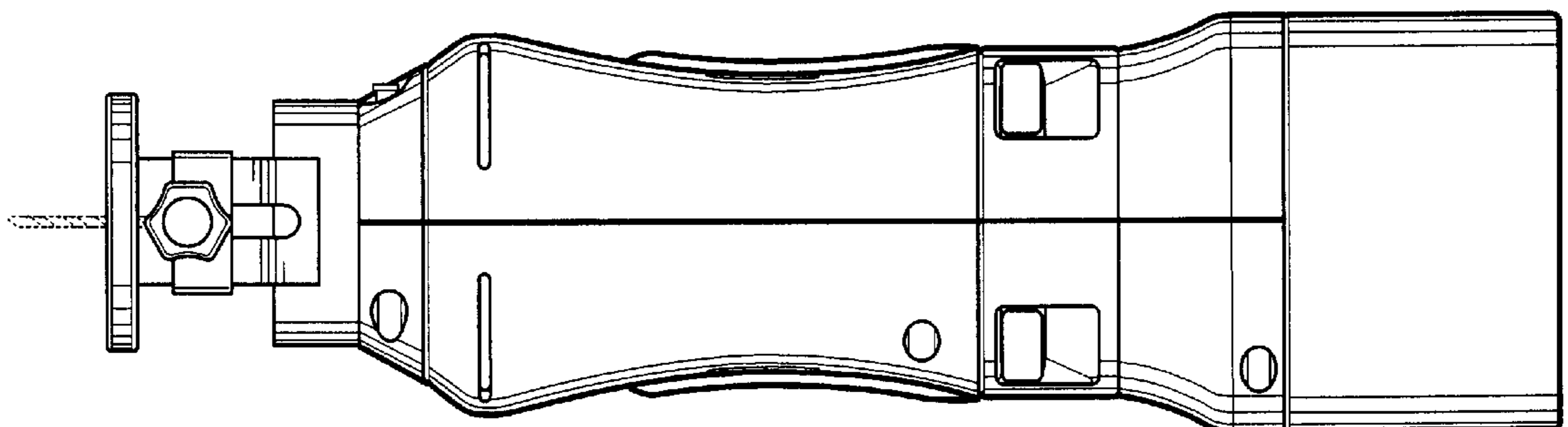


FIG. 8