



US00D481917S

(12) **United States Design Patent**
McLean

(10) **Patent No.:** **US D481,917 S**

(45) **Date of Patent:** **** Nov. 11, 2003**

(54) **HANDLE**

(75) Inventor: **Mark A. McLean**, Wausau, WI (US)

(73) Assignee: **Alterra Holdings Corporation**, Tigard, OR (US)

(**) Term: **14 Years**

(21) Appl. No.: **29/166,631**

(22) Filed: **Aug. 30, 2002**

(51) **LOC (7) Cl.** **08-01**

(52) **U.S. Cl.** **D8/10**

(58) **Field of Search** D8/1, 10, 107;
294/57, 58, 49, 54.5, 51

(56) **References Cited**

U.S. PATENT DOCUMENTS

1,476,783	A	*	12/1923	Webster	294/57
D83,868	S	*	4/1931	Lindsey	D8/1
1,853,187	A	*	4/1932	Wily	294/57
D189,486	S	*	12/1960	Walsh et al.	D8/1
3,107,937	A	*	10/1963	Duppengiesser	294/57
D262,351	S	*	12/1981	Oas	D8/1
6,145,899	A	*	11/2000	Kelemen	294/57

* cited by examiner

Primary Examiner—Robin V. Taylor

(74) *Attorney, Agent, or Firm*—Marshall J. Brown; Foley & Lardner

(57) **CLAIM**

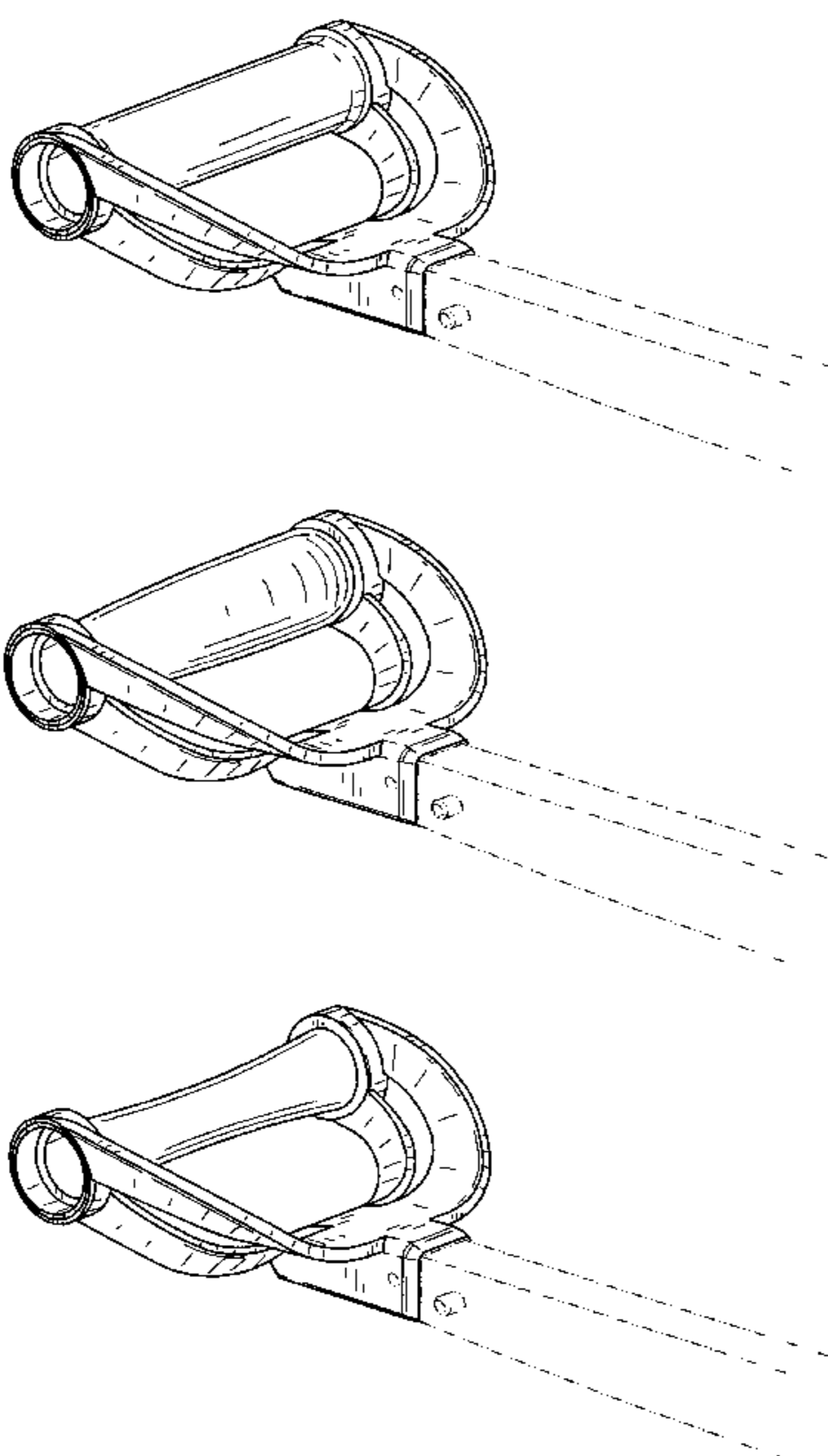
The ornamental design for a handle, as shown and described.

DESCRIPTION

FIG. 1 is a perspective view of a handle showing my new design;

FIG. 2 is a right side view thereof;
 FIG. 3 is a top plan view thereof;
 FIG. 4 is a bottom plan view thereof;
 FIG. 5 is a rear view thereof;
 FIG. 6 is a front view thereof;
 FIG. 7 is a perspective view of another embodiment of a handle showing my new design.
 FIG. 8 is a right side view of the handle in FIG. 7;
 FIG. 9 is a top plan view of the handle in FIG. 7;
 FIG. 10 is a bottom plan view of the handle in FIG. 7;
 FIG. 11 is a rear view of the handle in FIG. 7;
 FIG. 12 is a front view of the handle in FIG. 7;
 FIG. 13 is a perspective view of another embodiment of a handle showing my new design.
 FIG. 14 is a right side view of the handle in FIG. 14;
 FIG. 15 is a top plan view of the handle in FIG. 14;
 FIG. 16 is a bottom plan view of the handle in FIG. 14;
 FIG. 17 is a rear view of the handle in FIG. 14;
 FIG. 18 is a front view of the handle in FIG. 14;
 FIG. 19 is a perspective view of another embodiment of a handle showing my new design.
 FIG. 20 is a right side view of the handle in FIG. 19;
 FIG. 21 is a top plan view of the handle in FIG. 19;
 FIG. 22 is a bottom plan view of the handle in FIG. 19;
 FIG. 23 is a rear view of the handle in FIG. 19;
 FIG. 24 is a front view of the handle in FIG. 19;
 FIG. 25 is a perspective view of still another embodiment of a handle showing my new design.
 FIG. 26 is a right side view of the handle in FIG. 25;
 FIG. 27 is a top plan view of the handle in FIG. 25;
 FIG. 28 is a bottom plan view of the handle in FIG. 25;
 FIG. 29 is a rear view of the handle in FIG. 25; and,
 FIG. 30 is a front view of the handle in FIG. 25.
 The broken line showing of is for illustrative purposes only and forms no part of the claimed design.

1 Claim, 10 Drawing Sheets



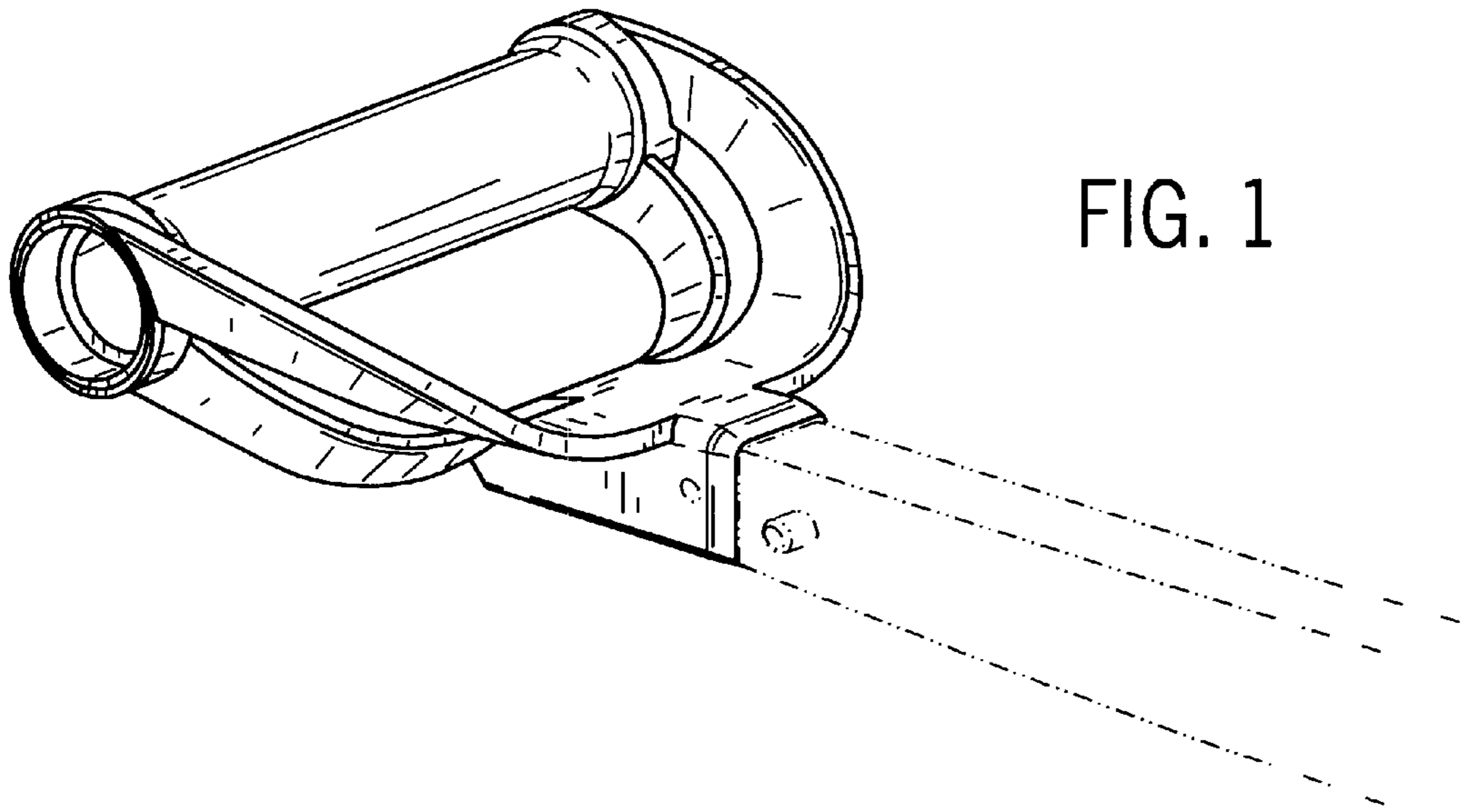


FIG. 1

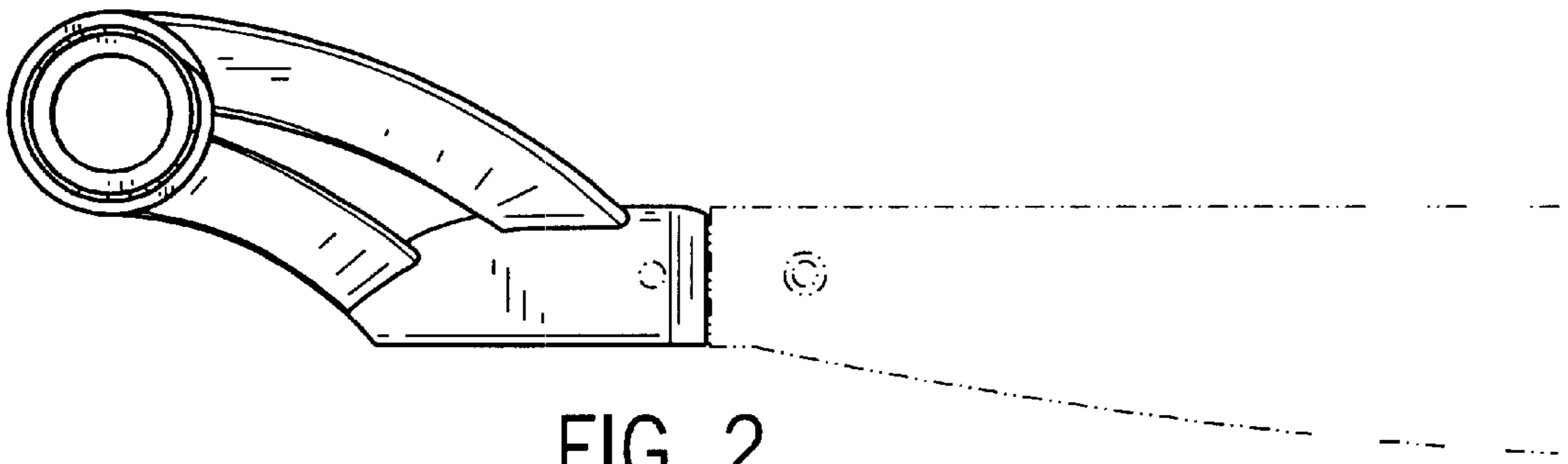


FIG. 2

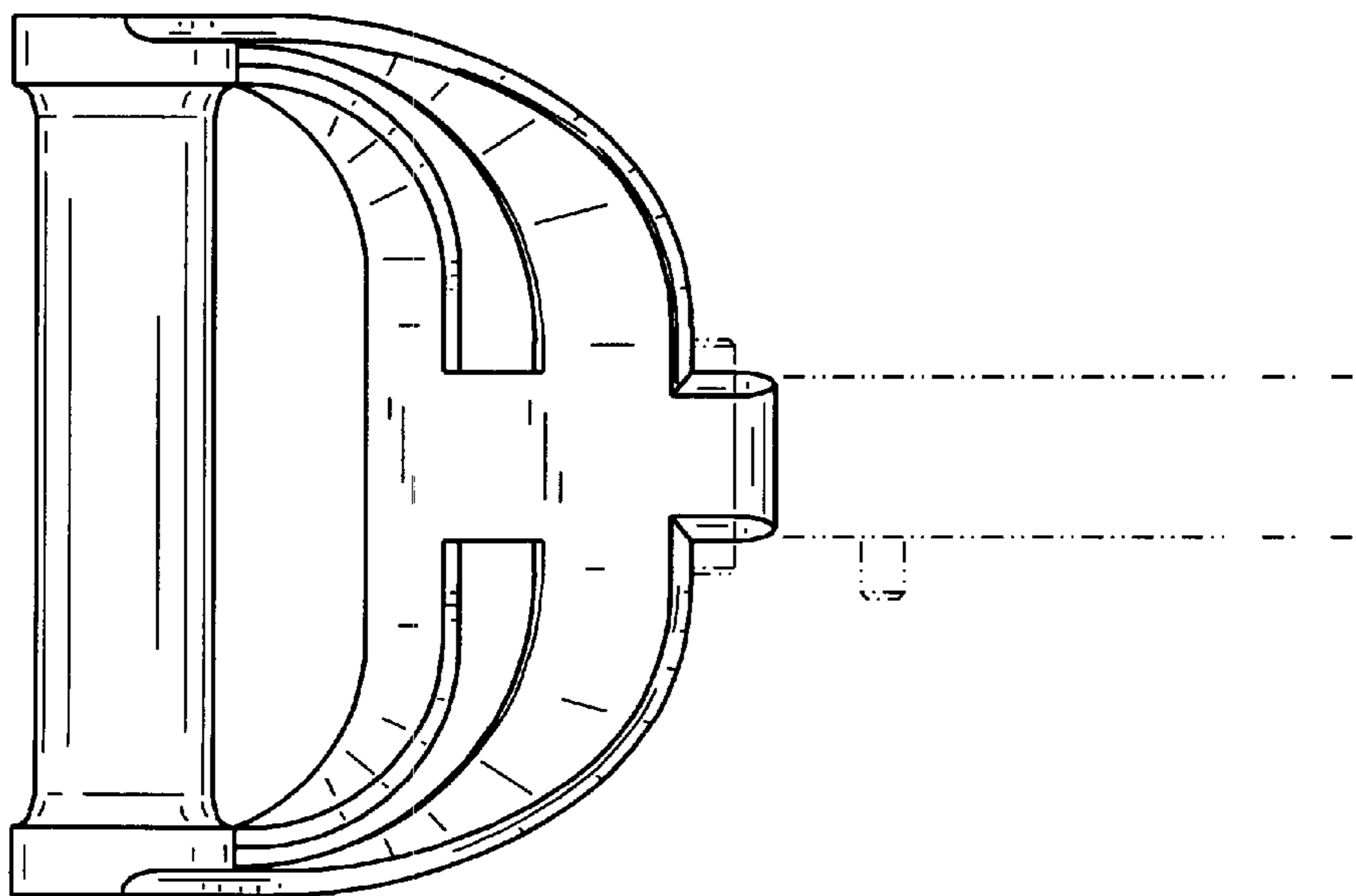


FIG. 3

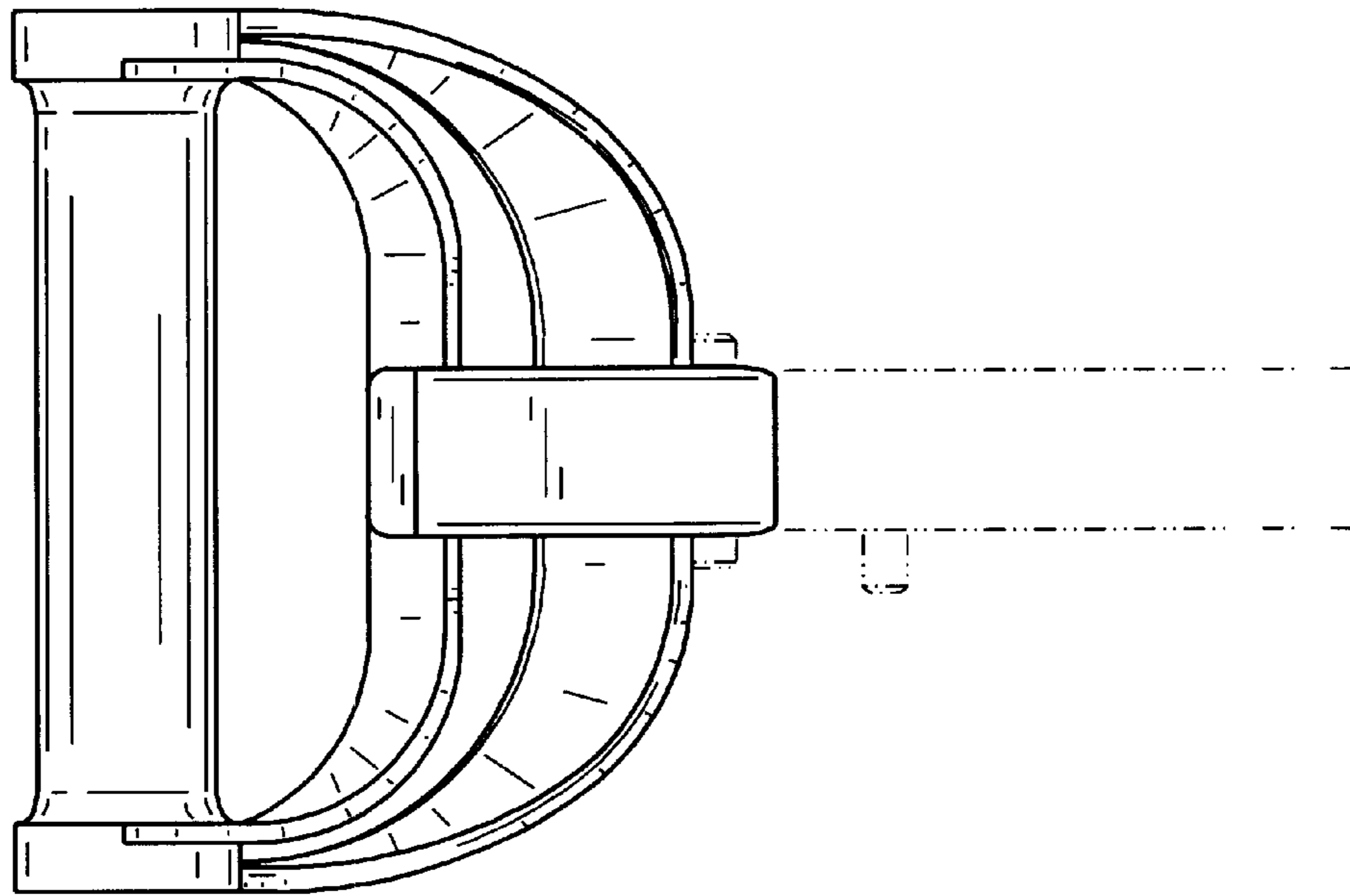


FIG. 4

FIG. 5

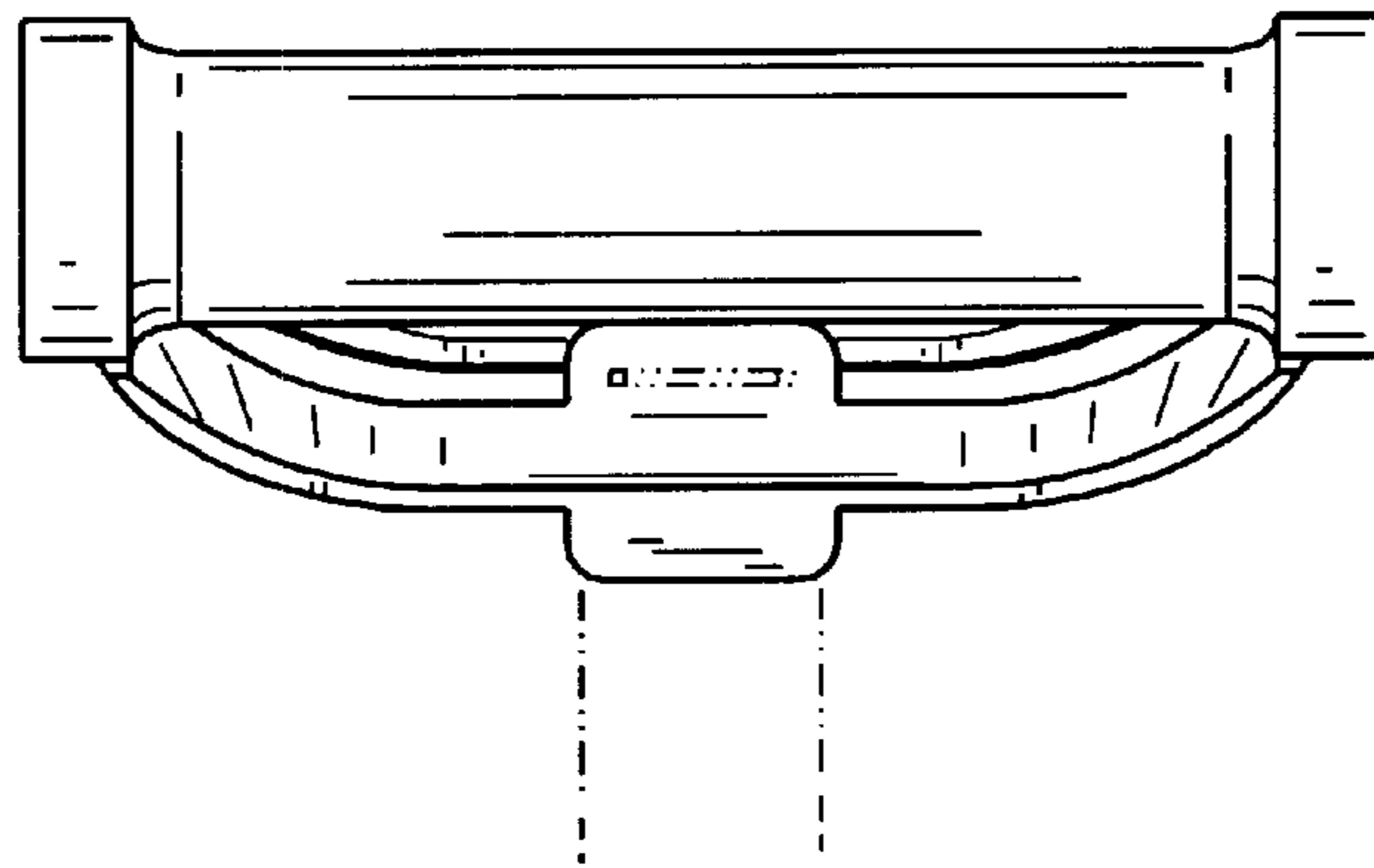
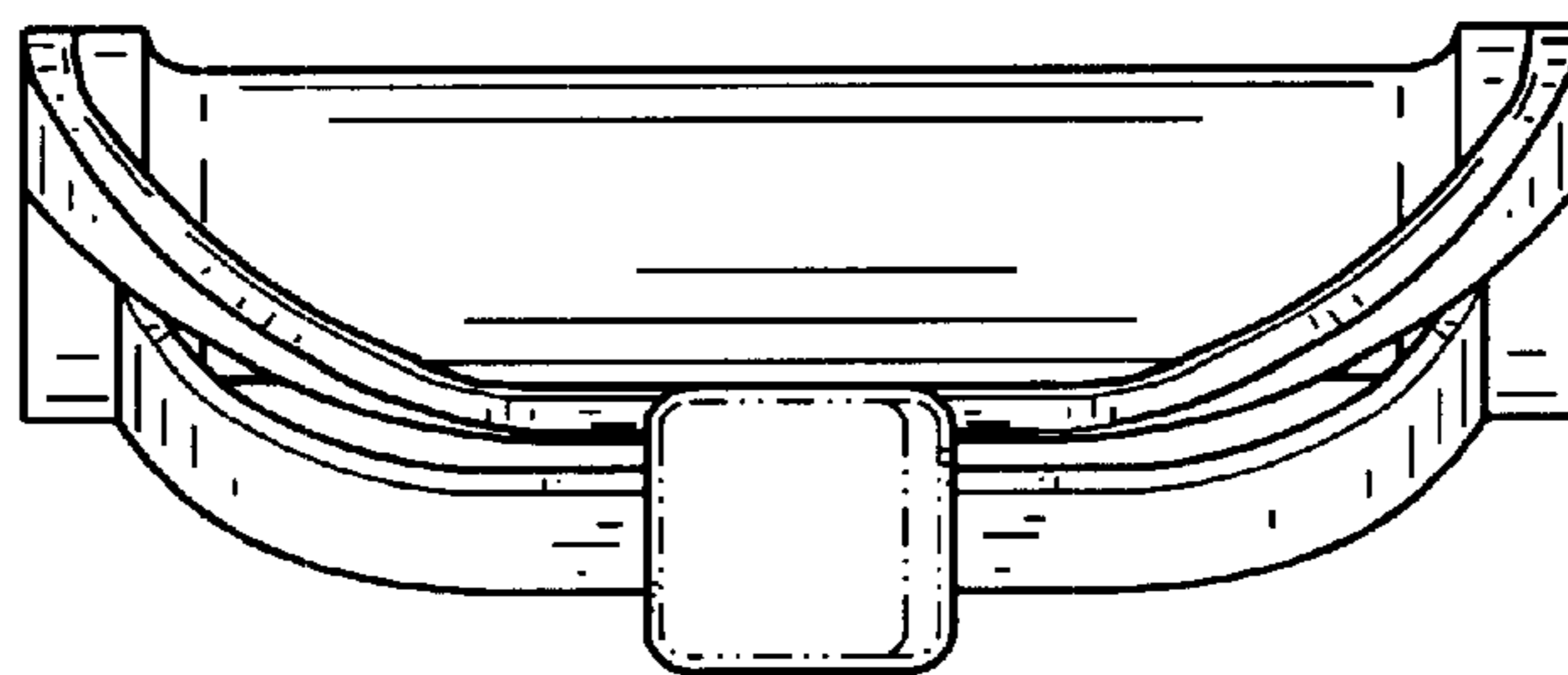


FIG. 6



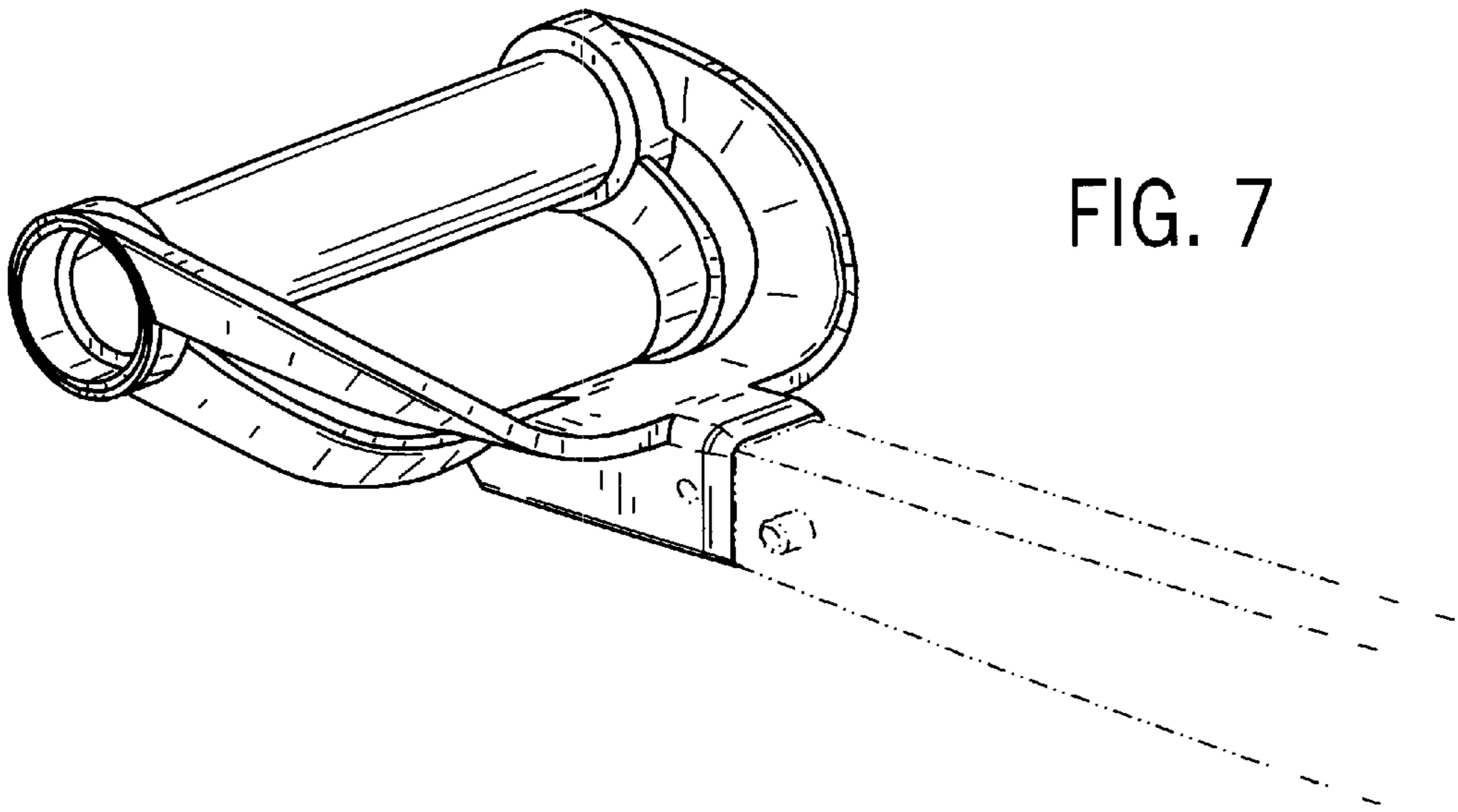


FIG. 7

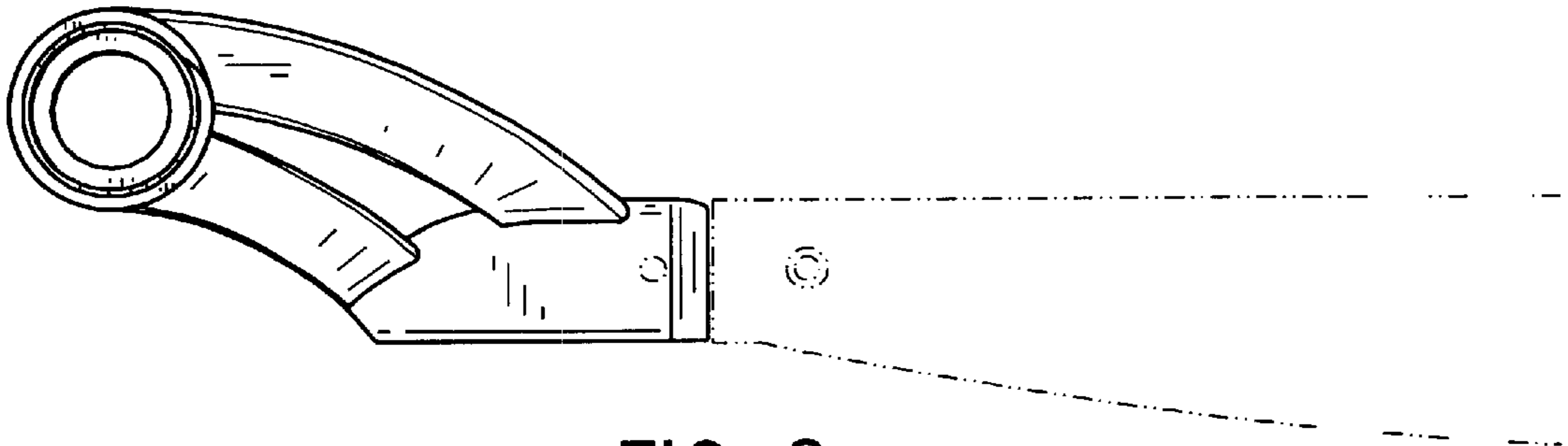


FIG. 8

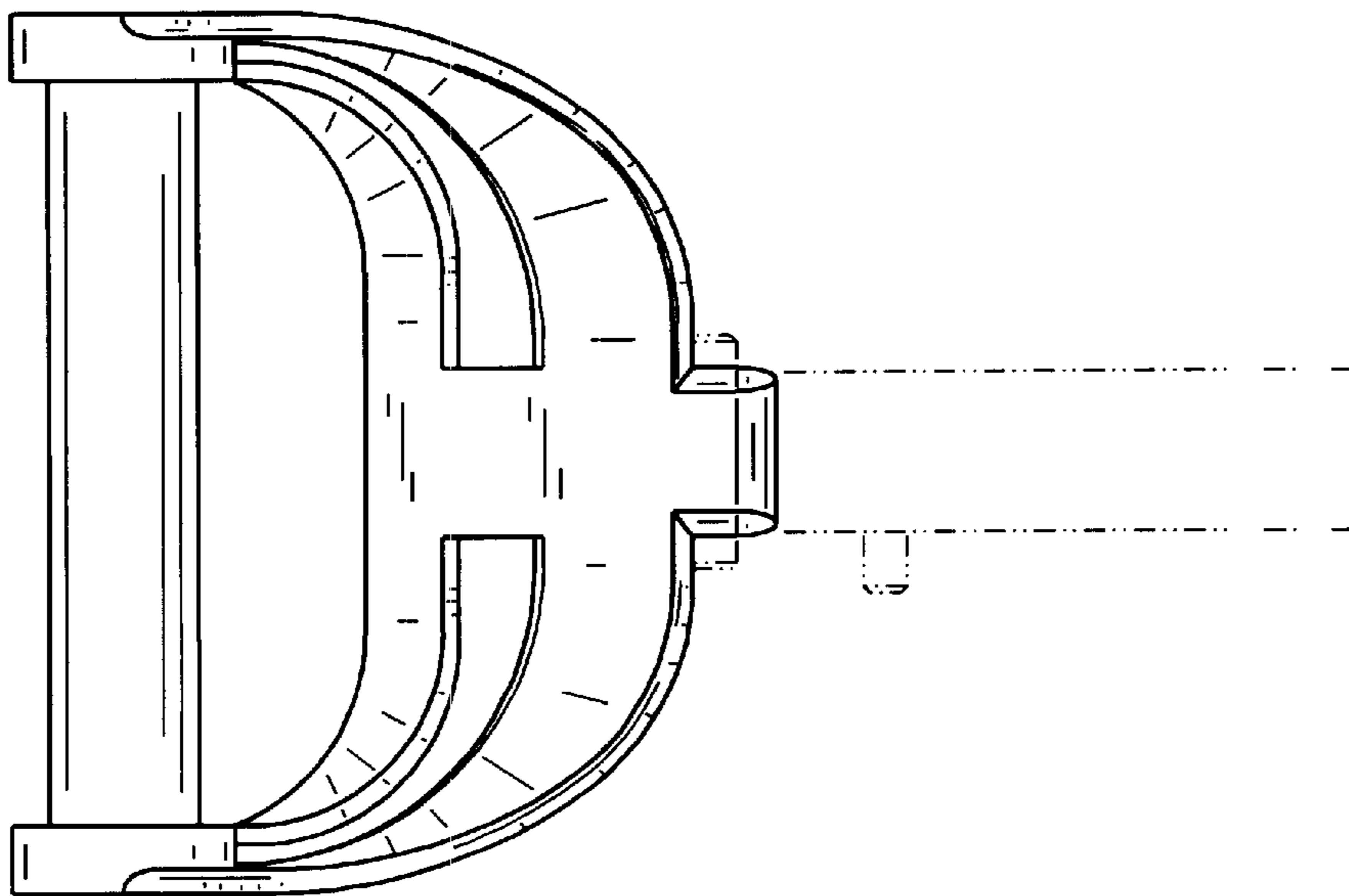


FIG. 9

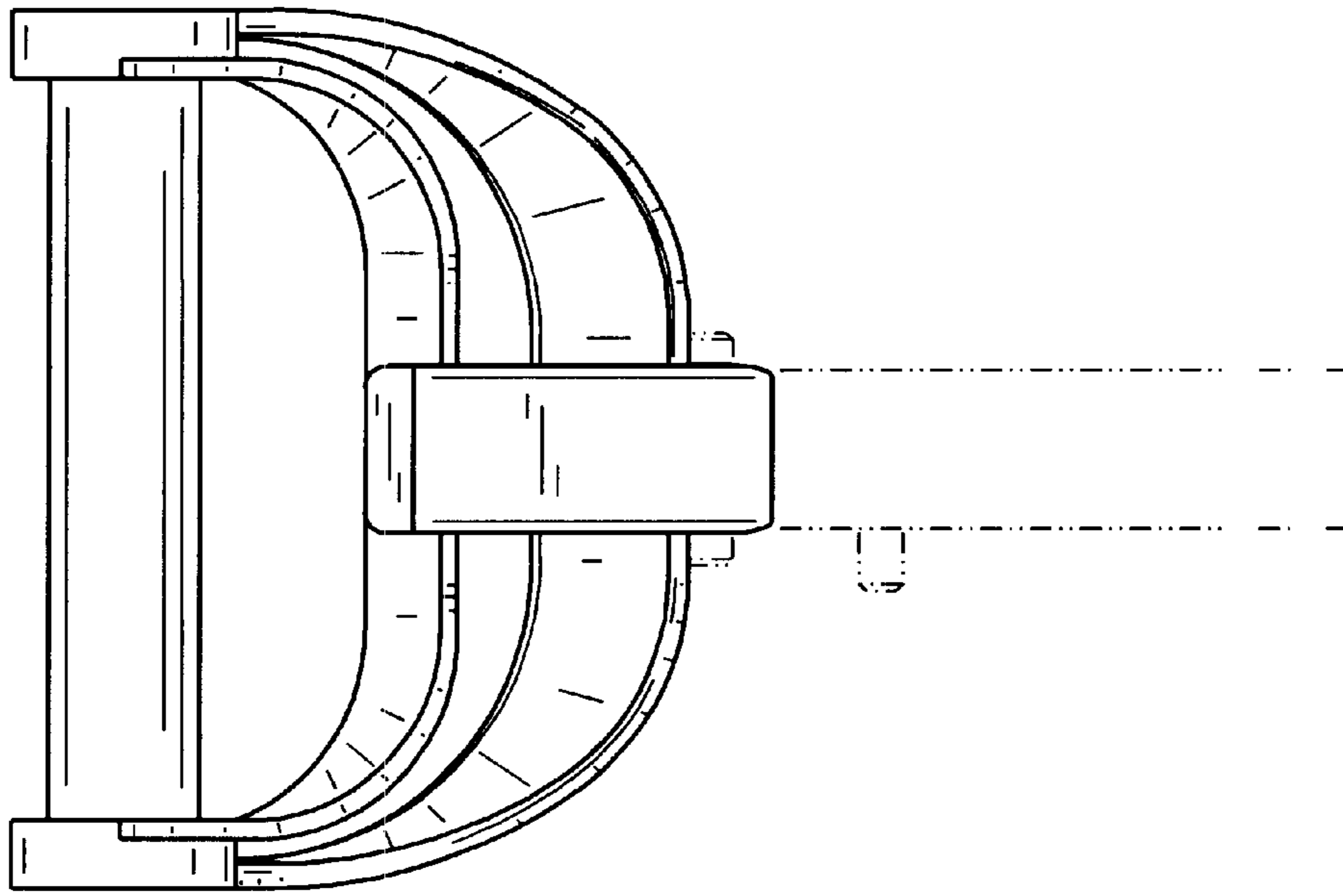


FIG. 10

FIG. 11

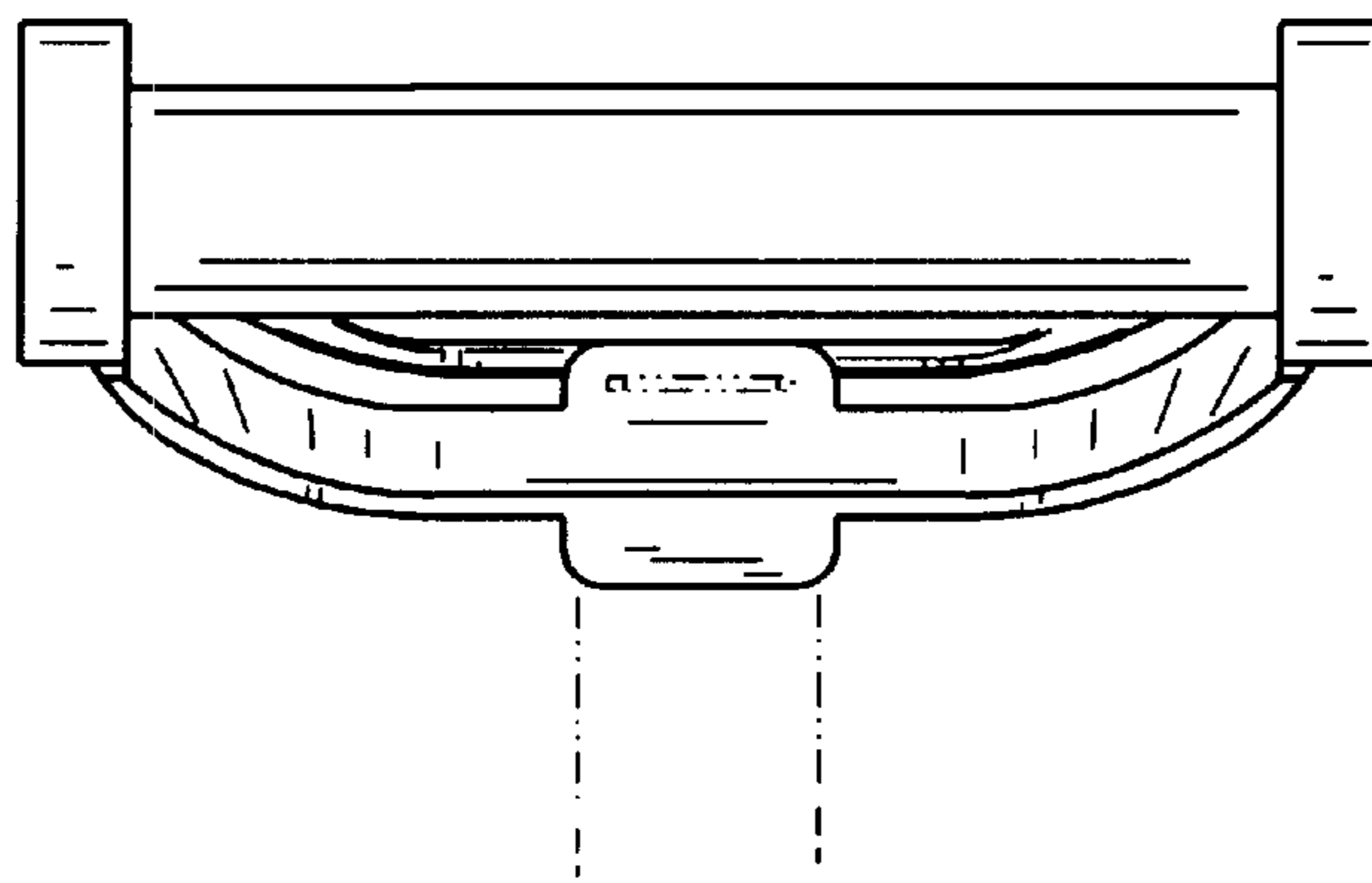
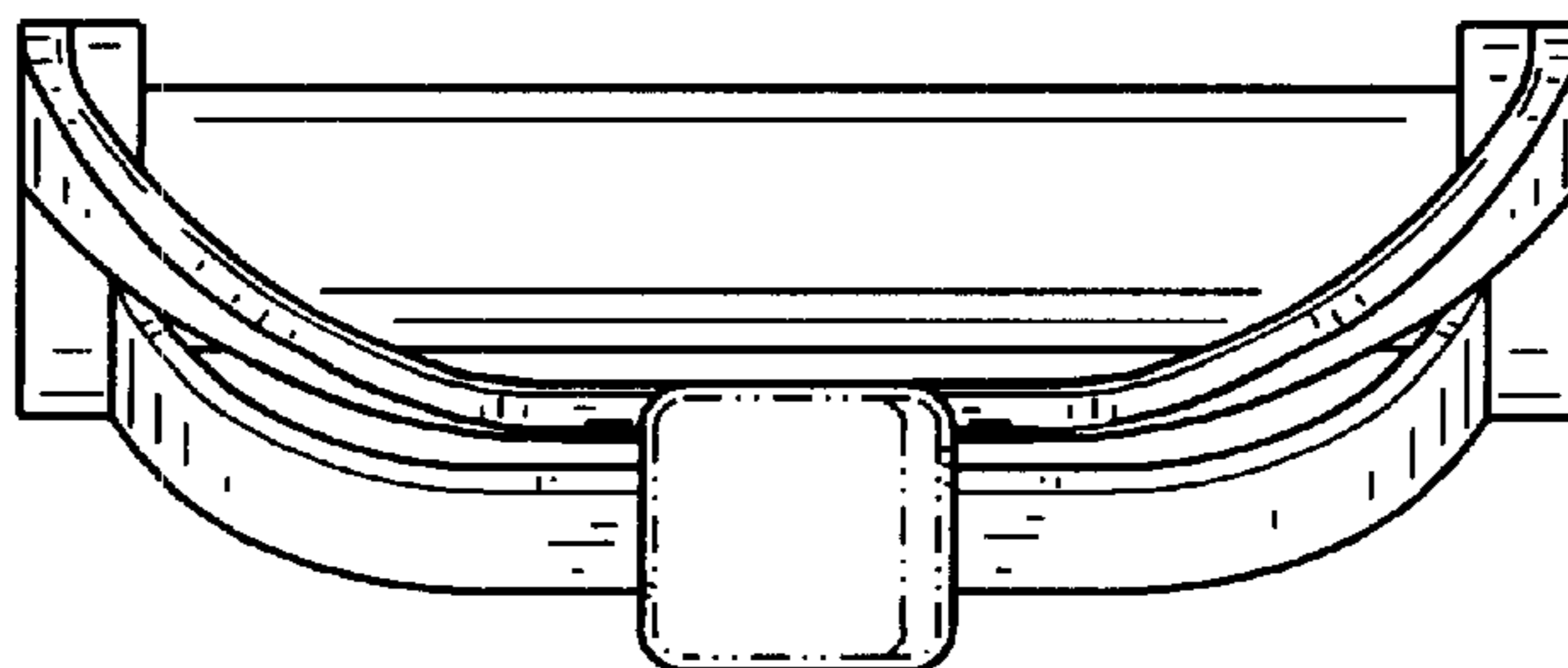


FIG. 12



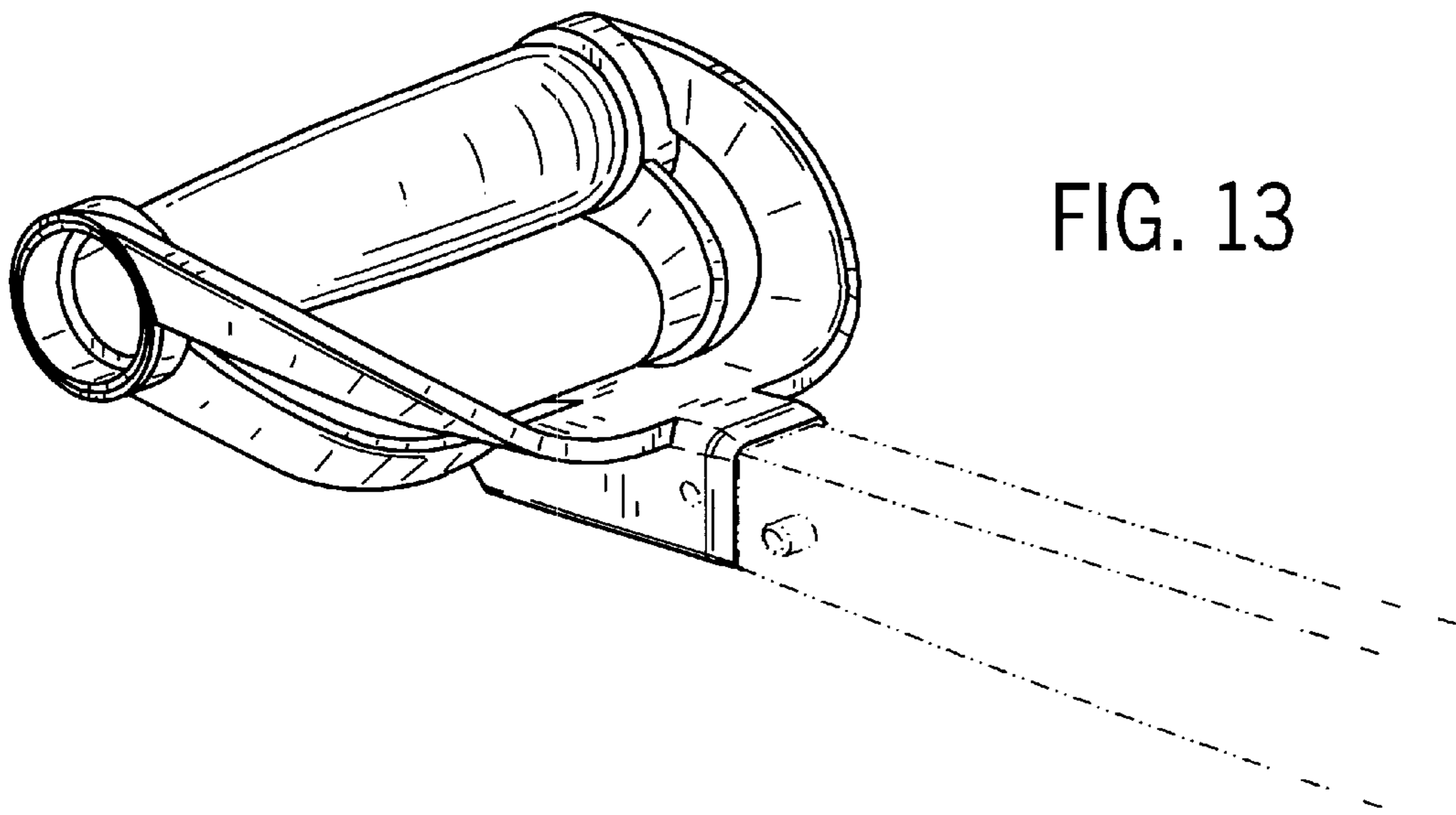


FIG. 13

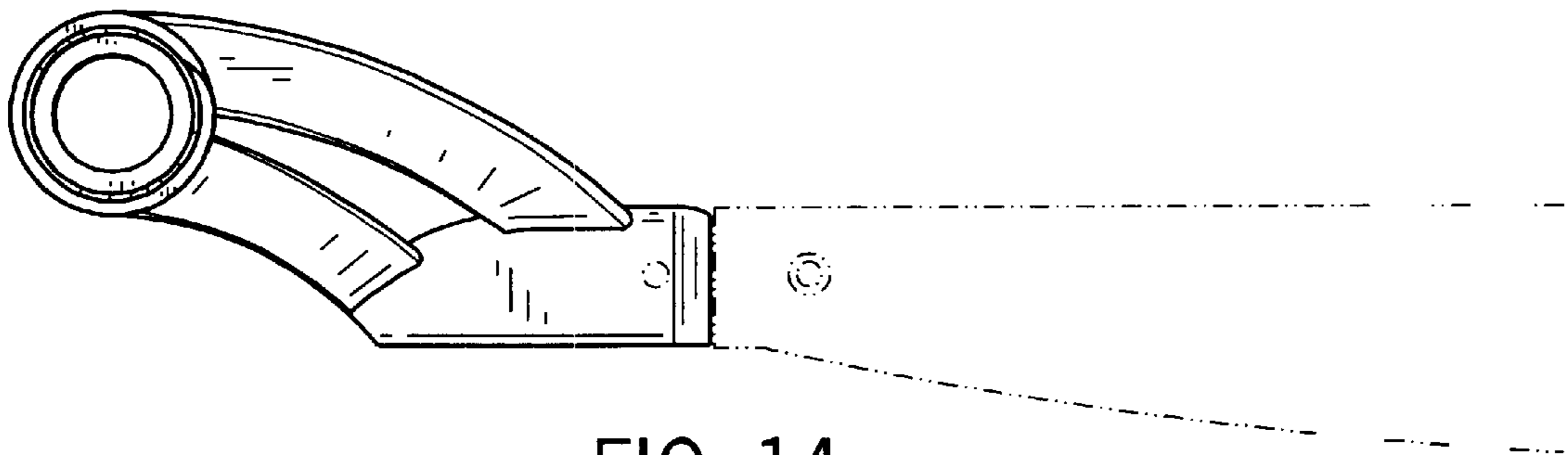


FIG. 14

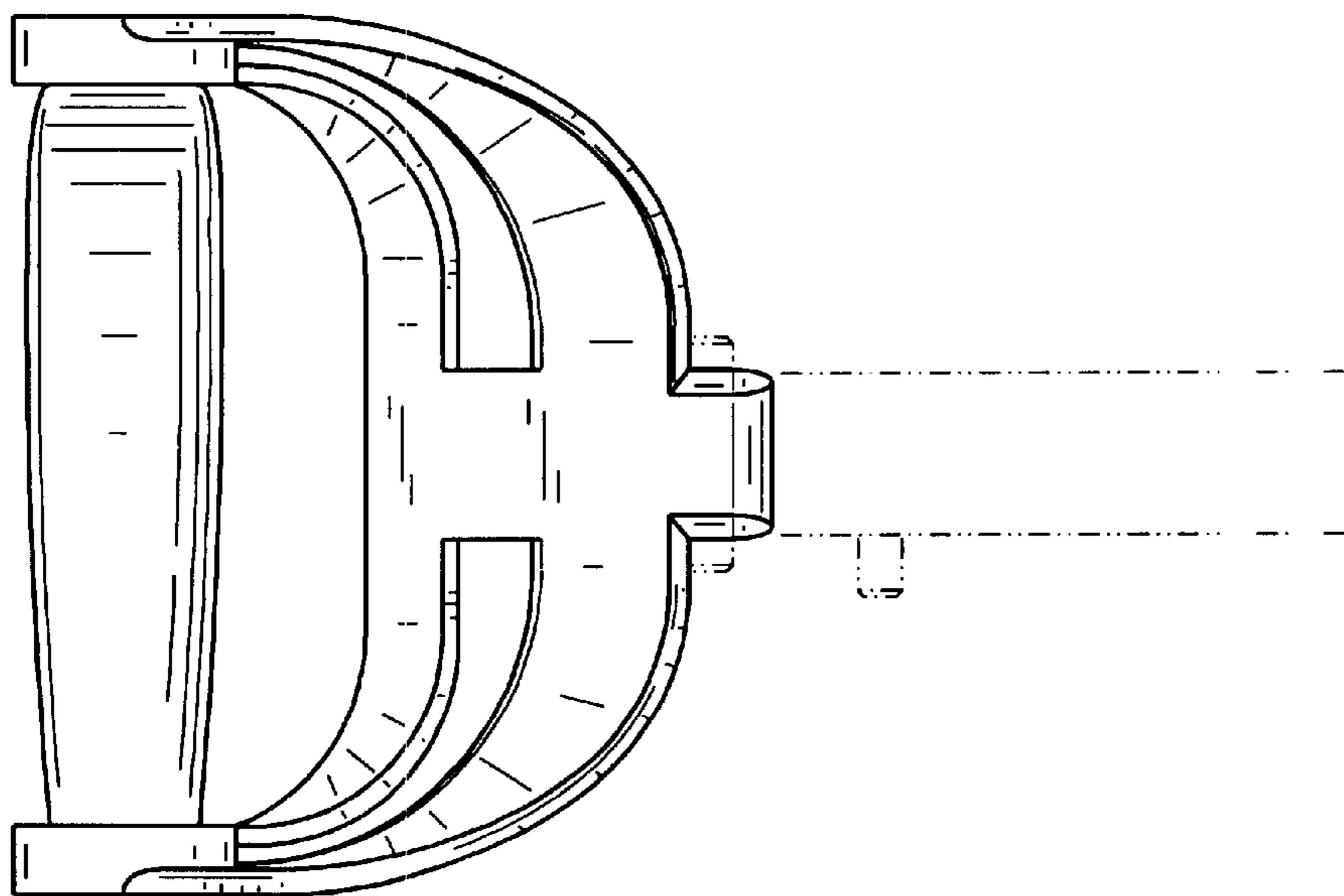


FIG. 15

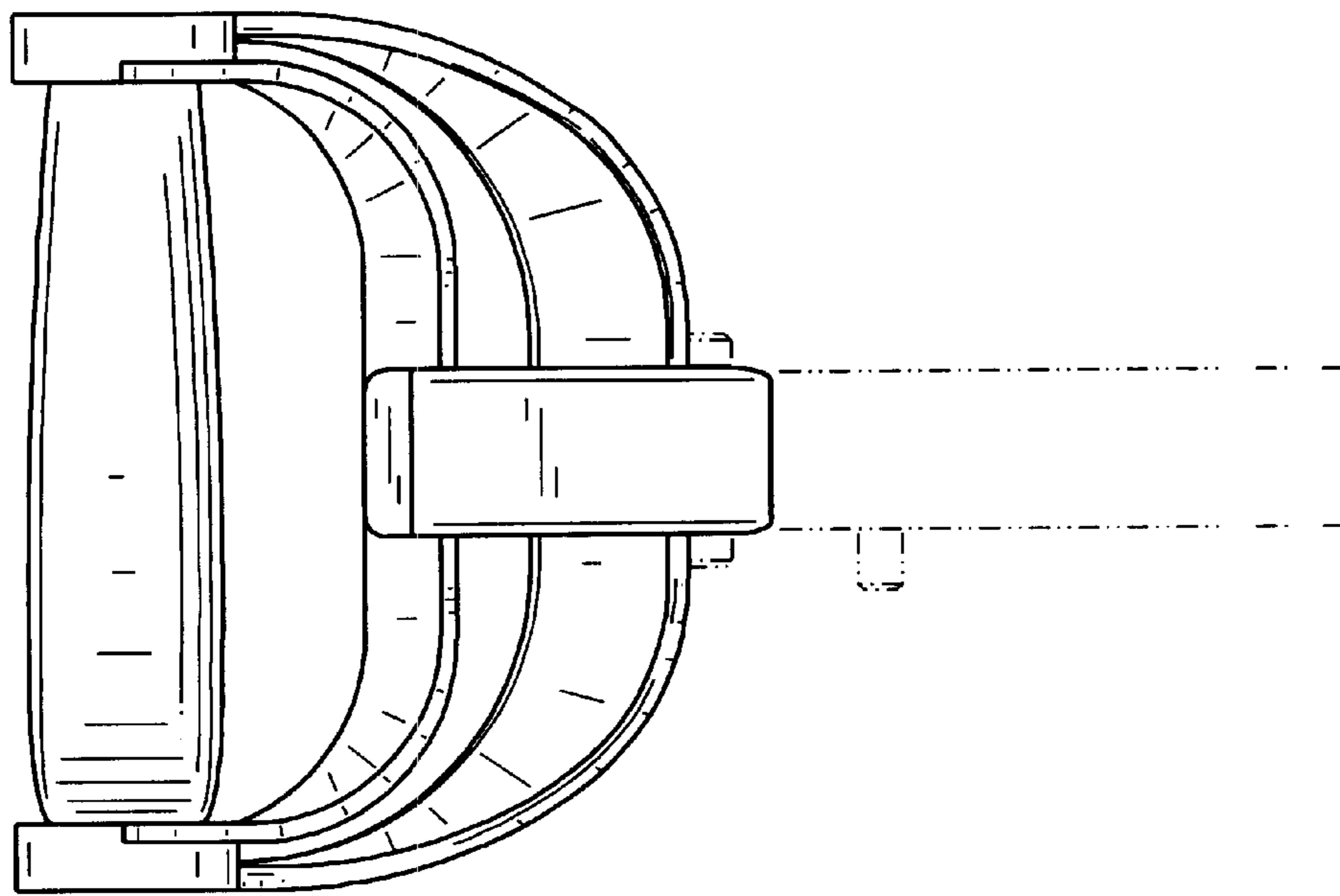


FIG. 16

FIG. 17

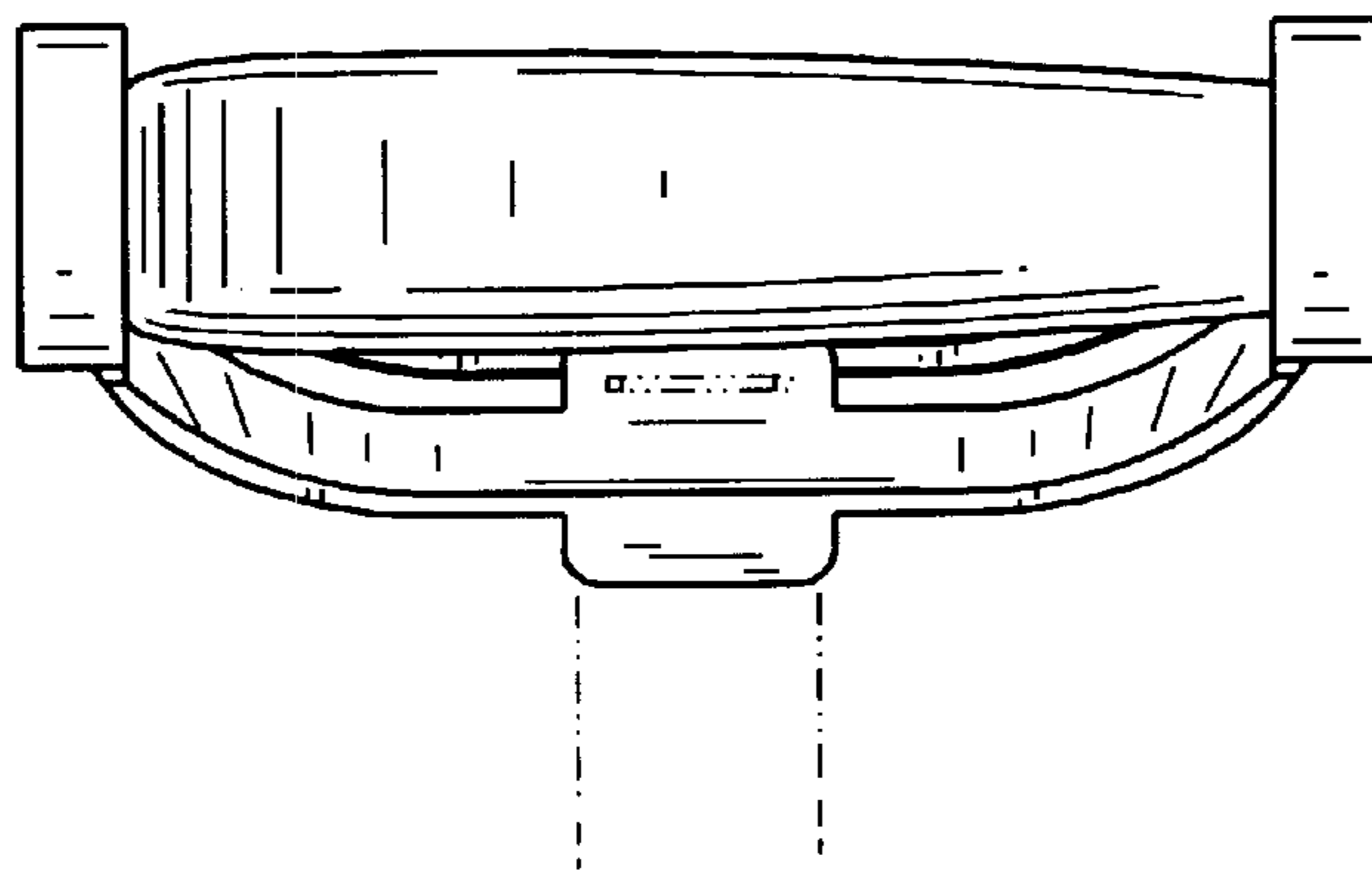
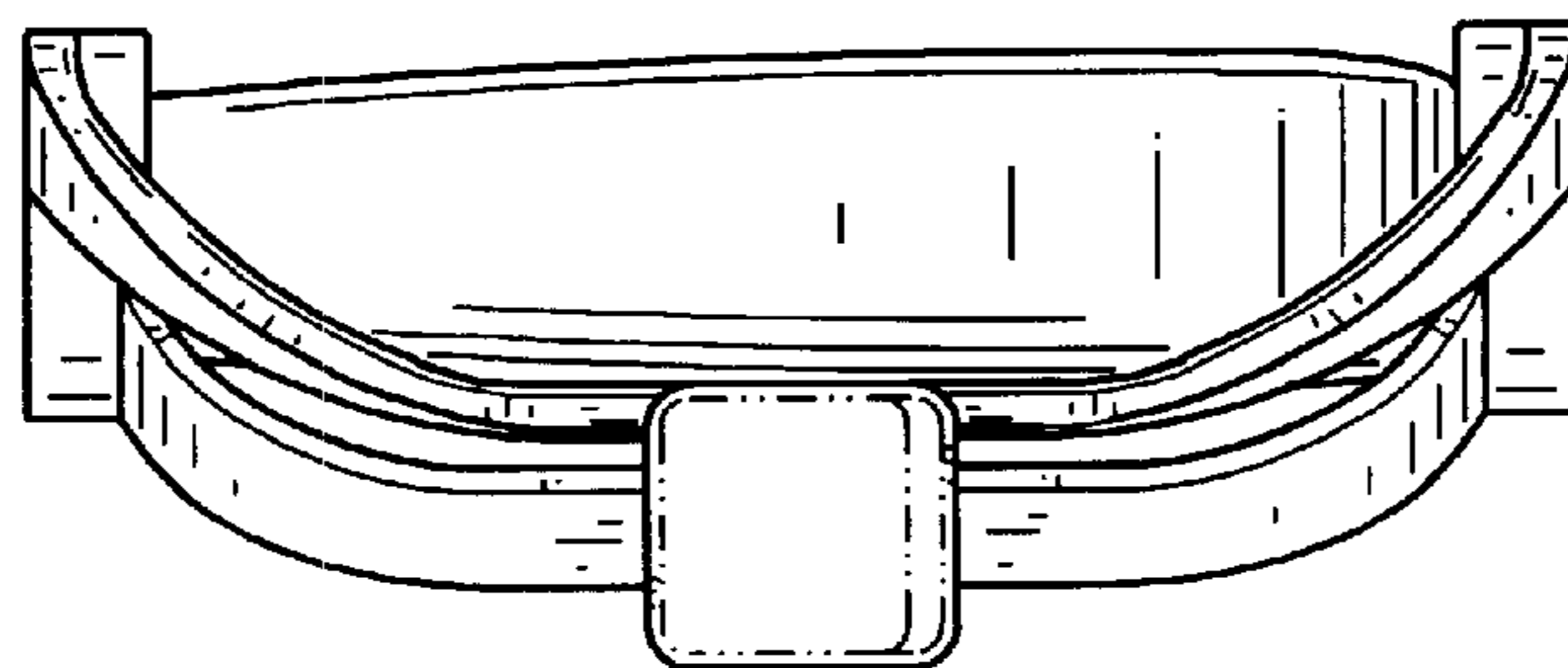


FIG. 18



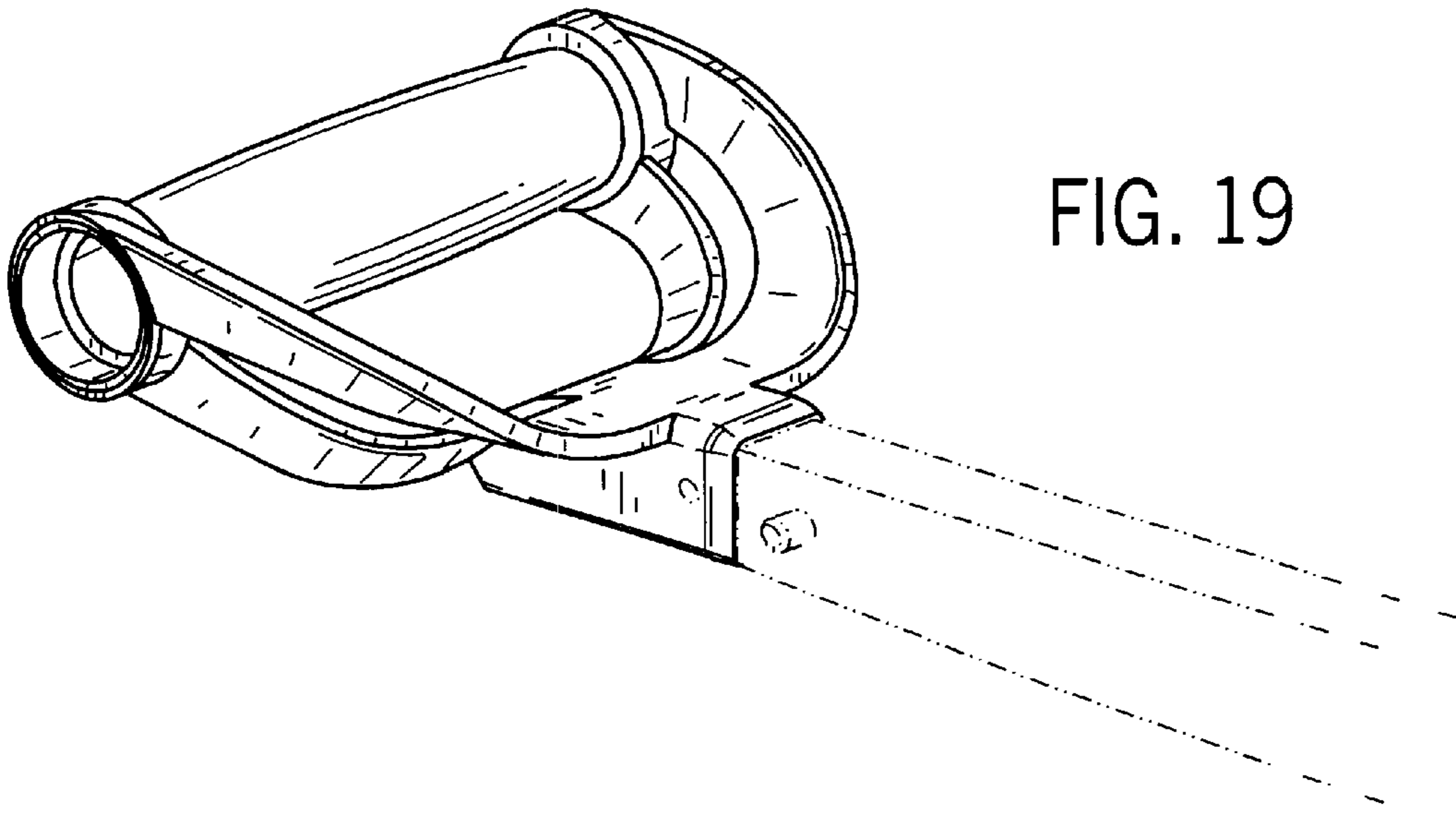


FIG. 19

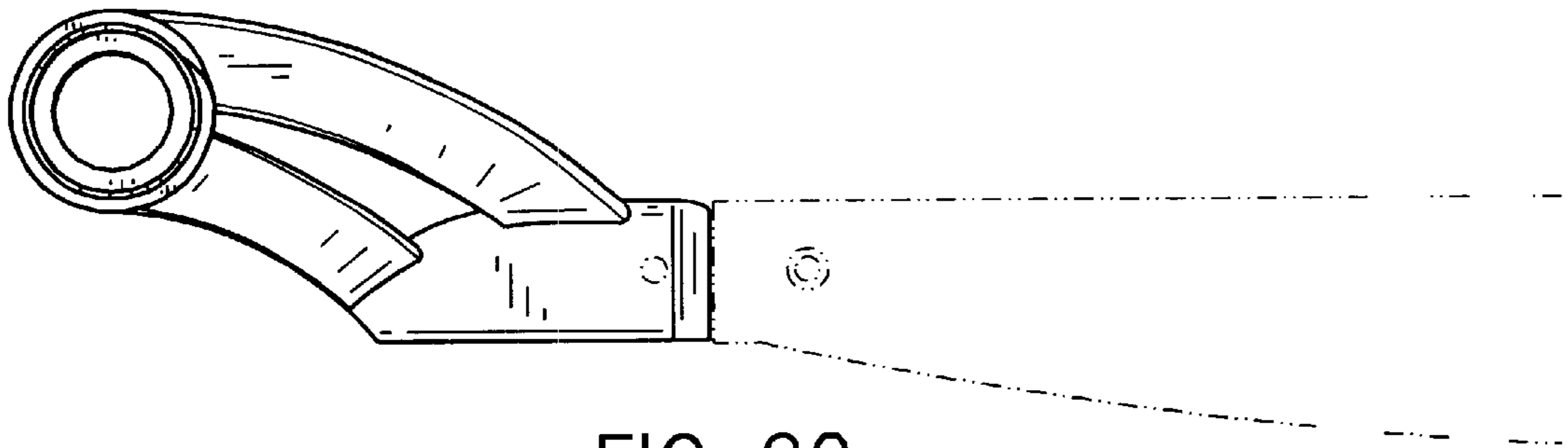


FIG. 20

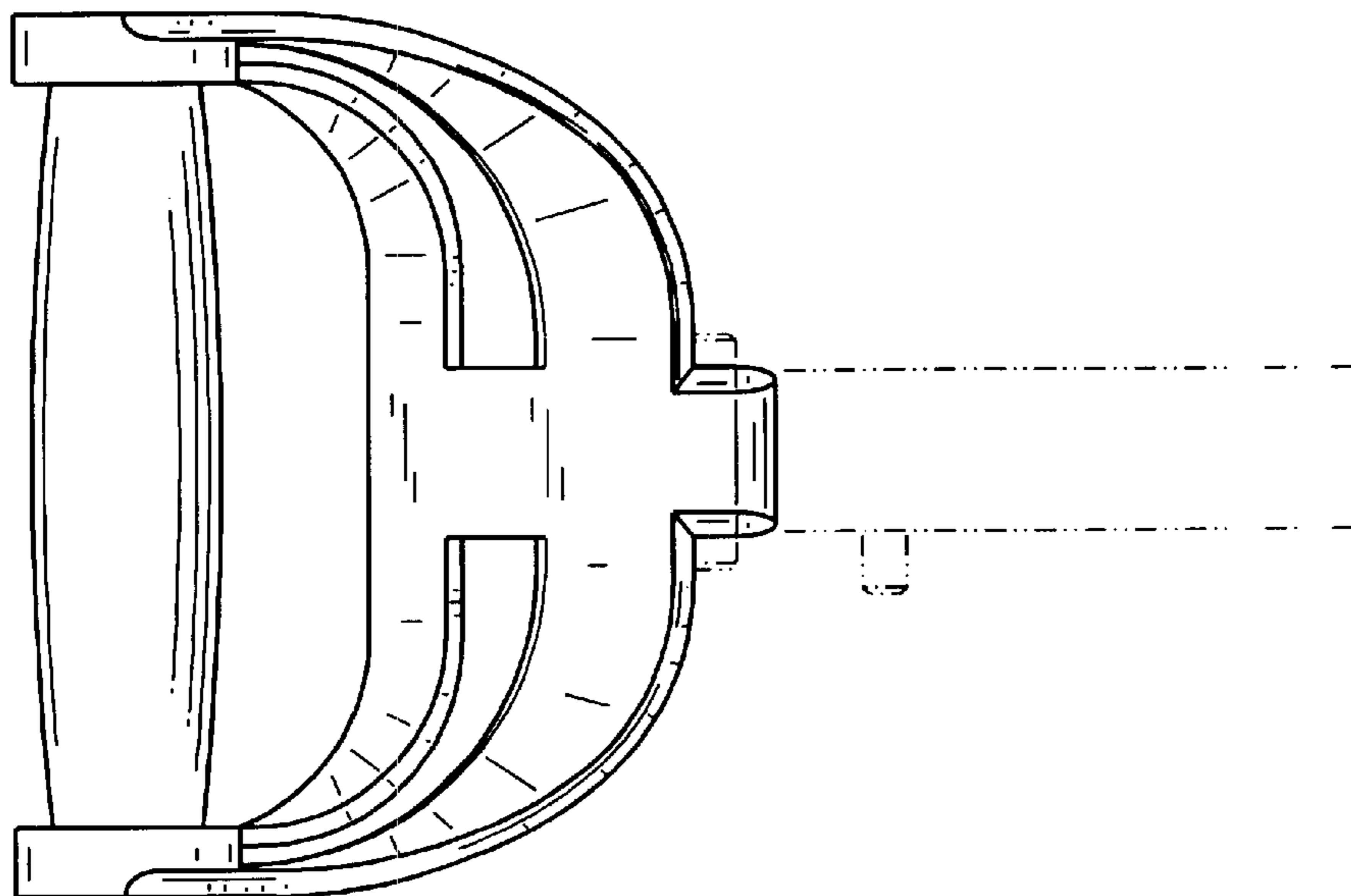


FIG. 21

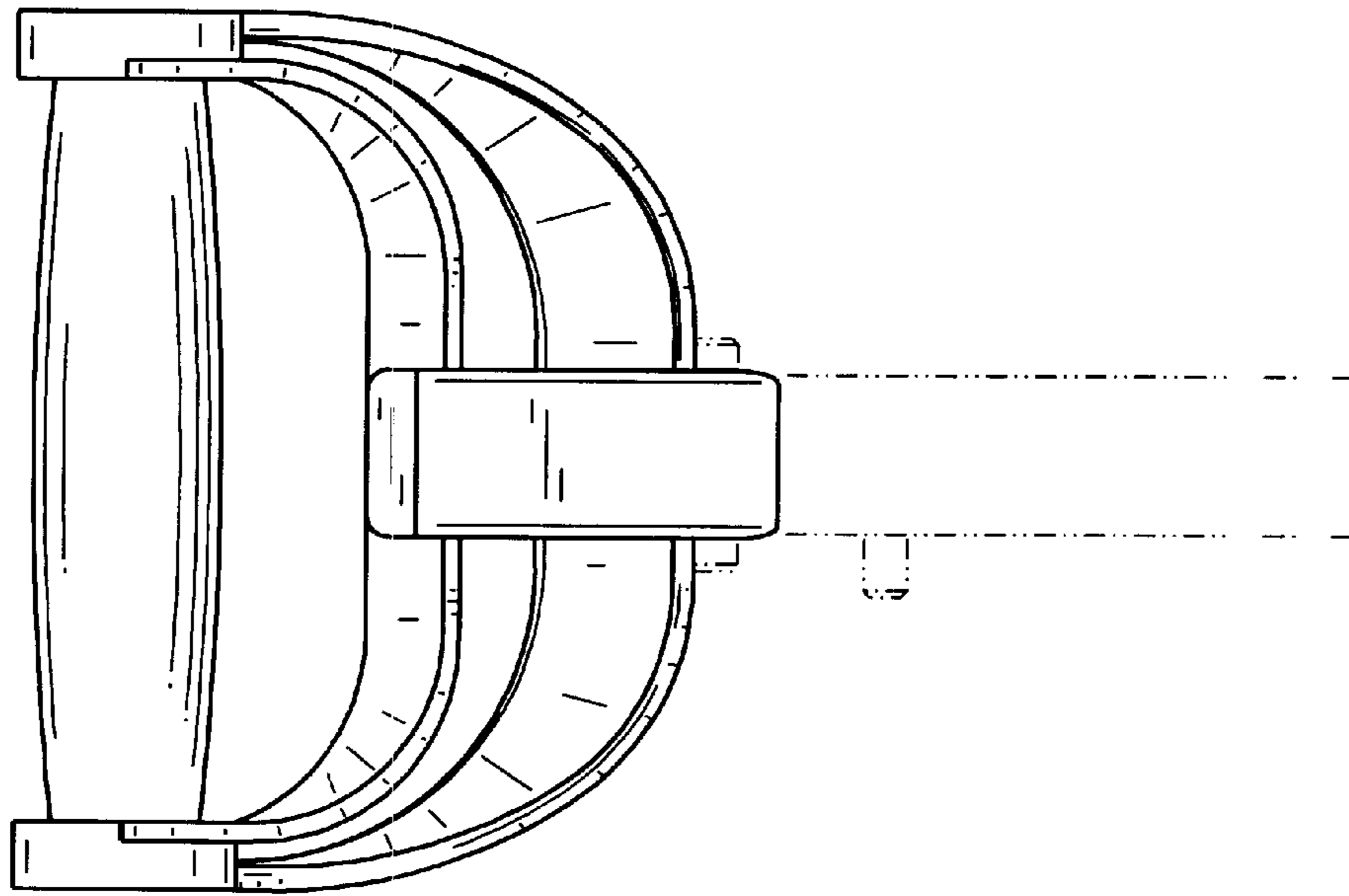


FIG. 22

FIG. 23

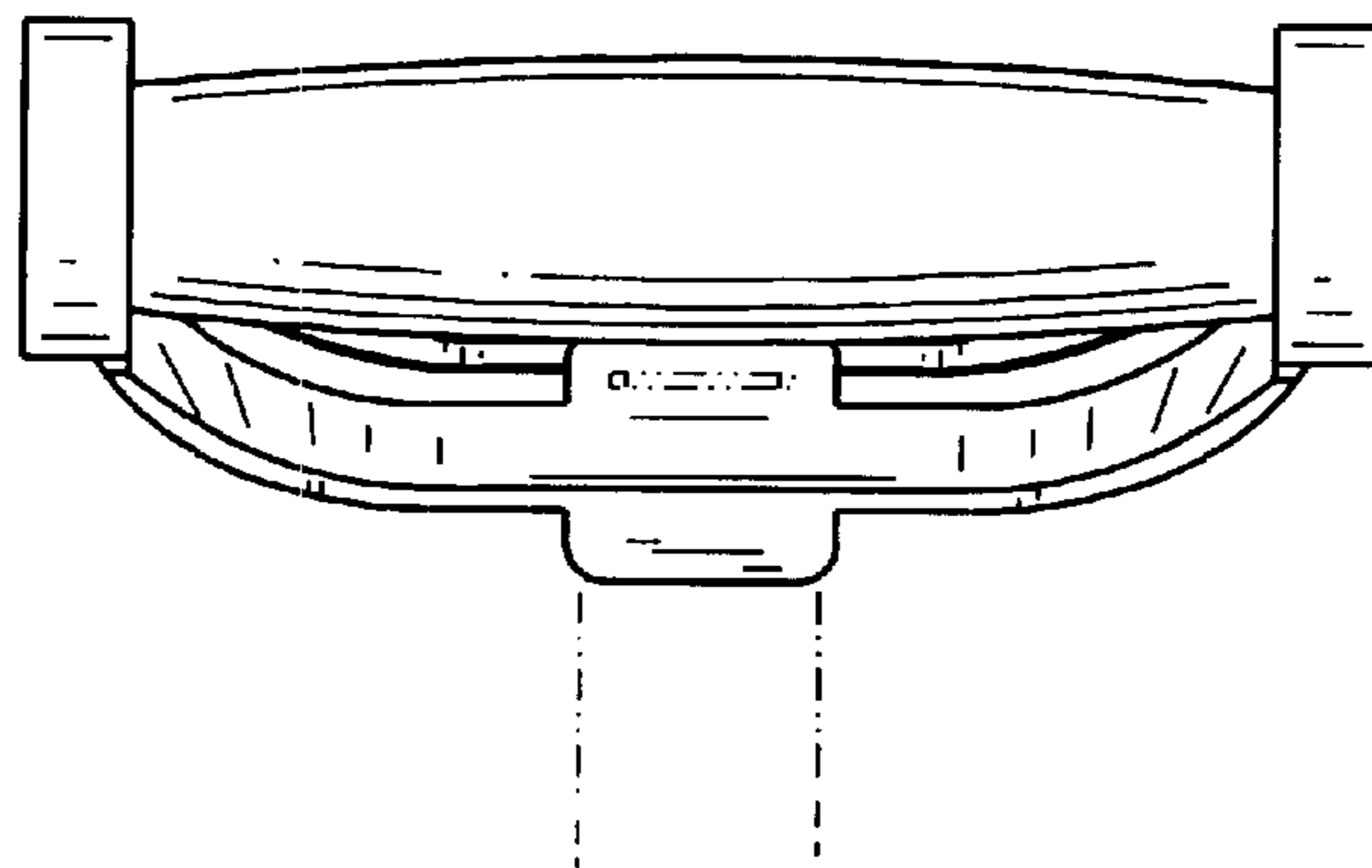
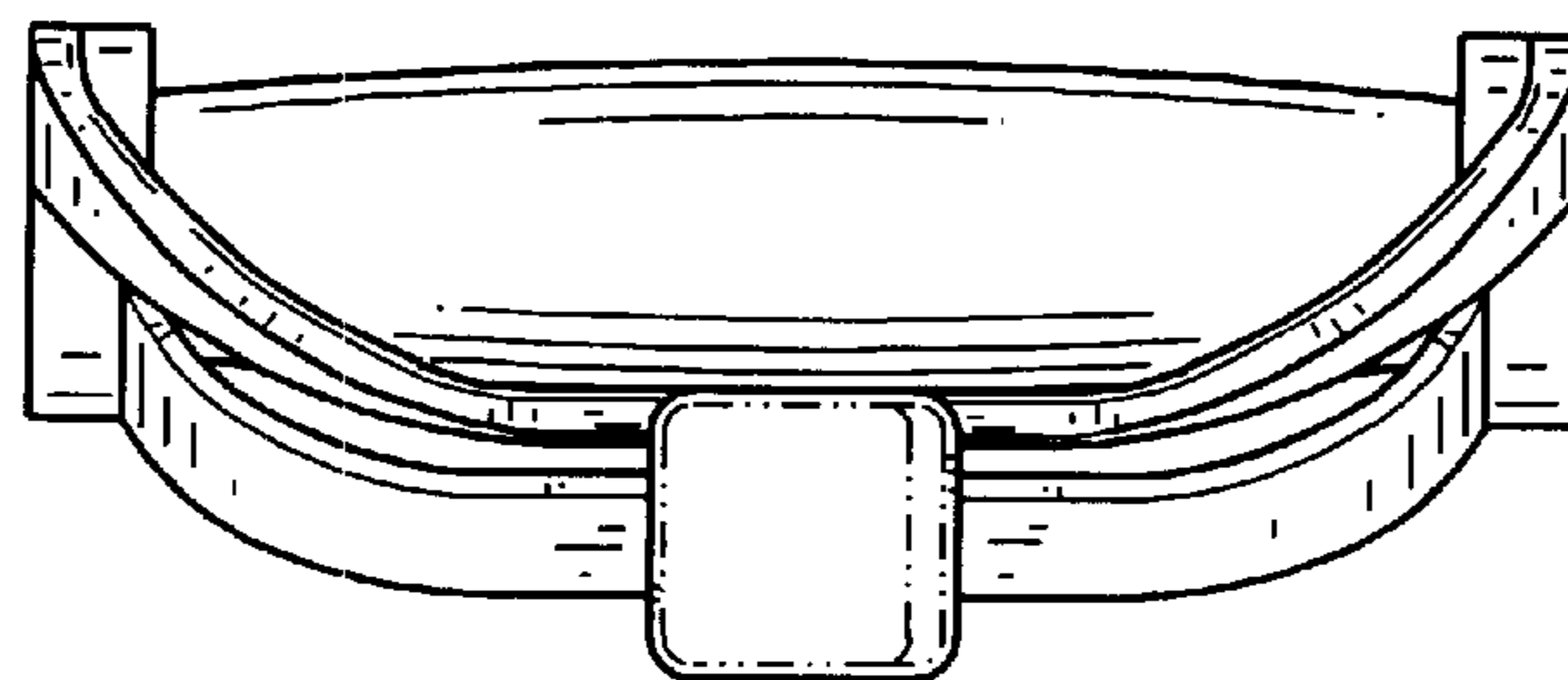


FIG. 24



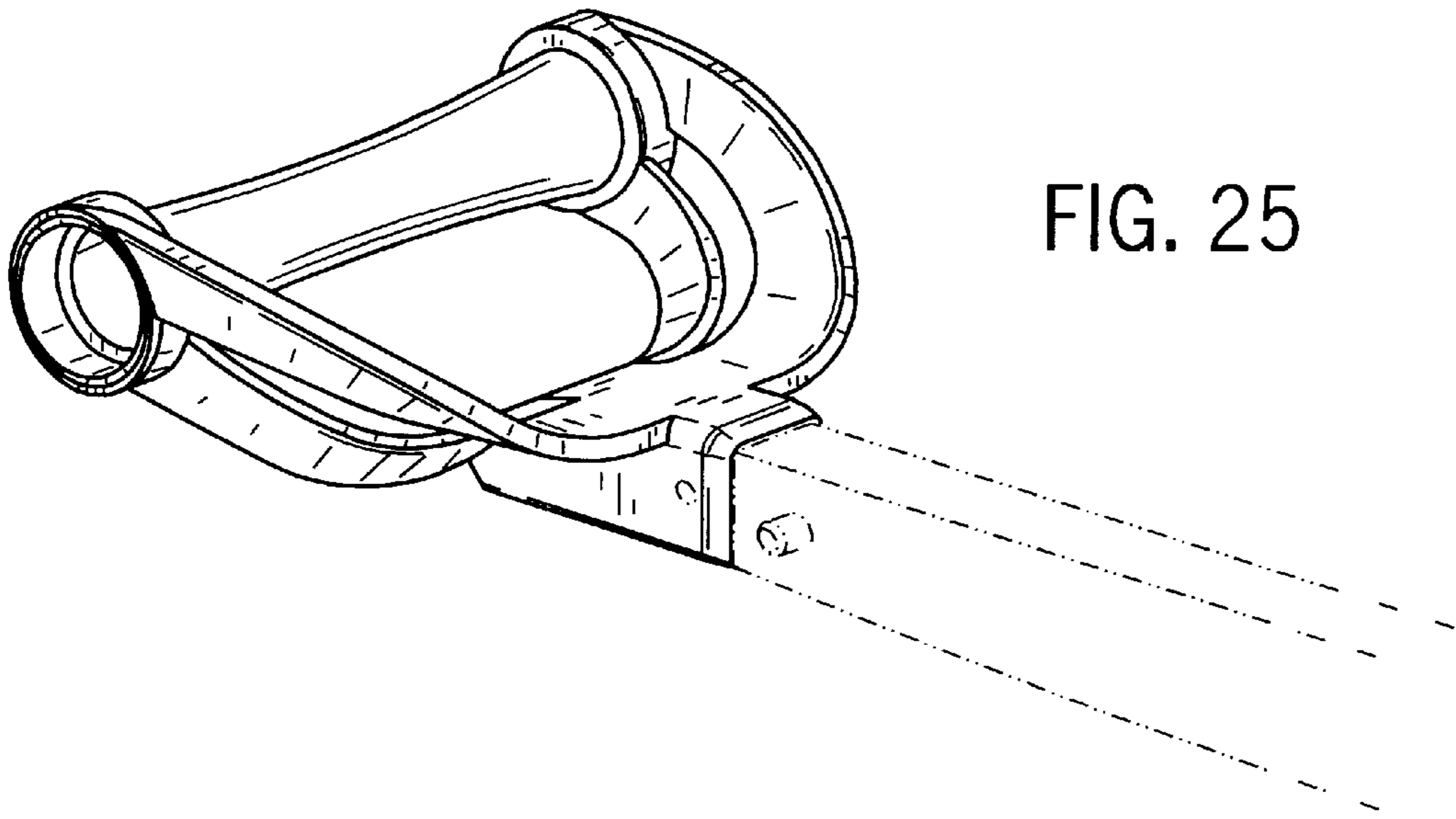


FIG. 25

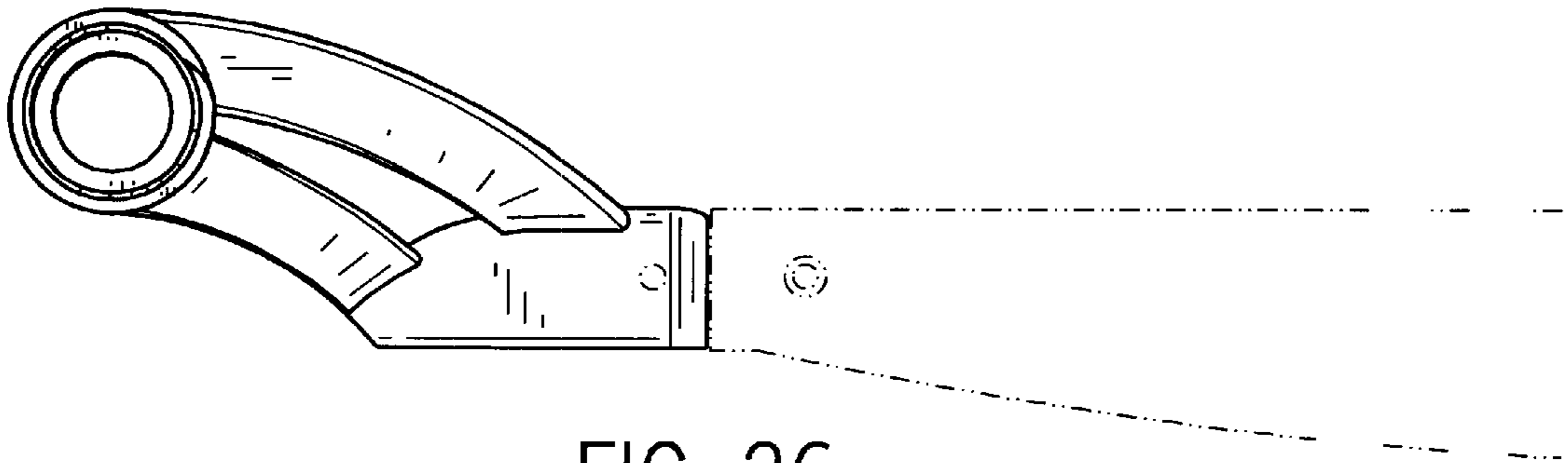


FIG. 26

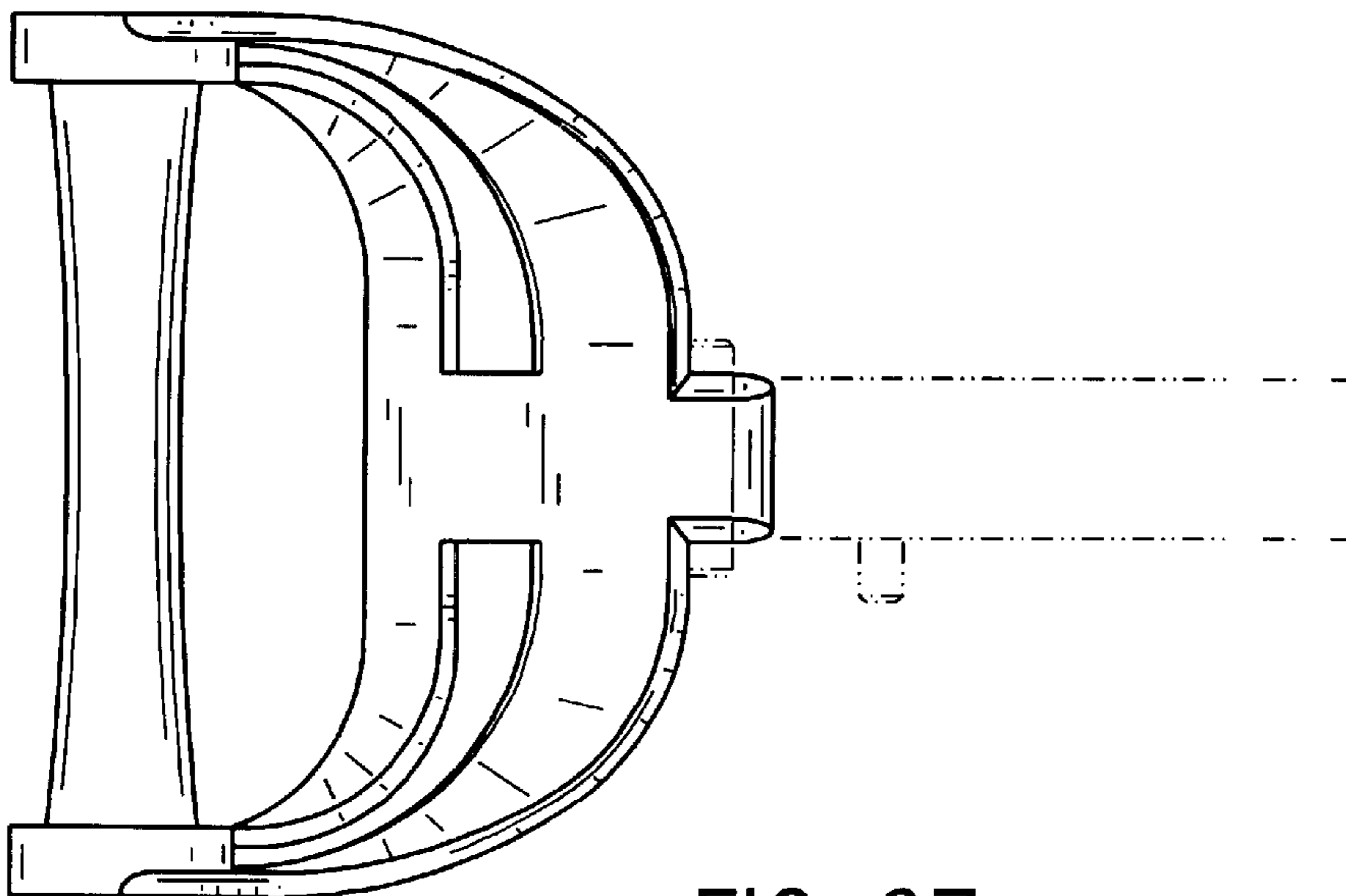


FIG. 27

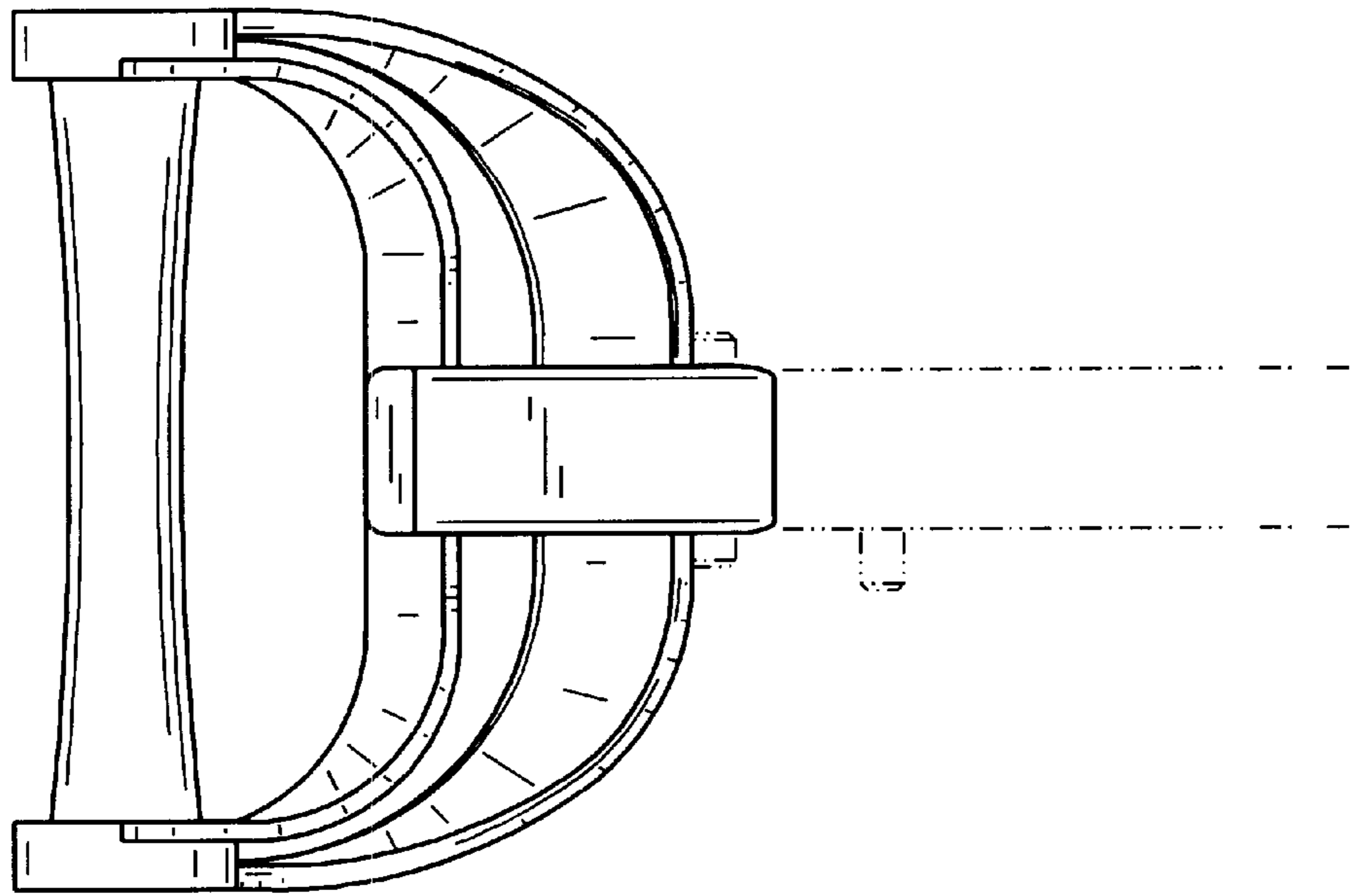


FIG. 28

FIG. 29

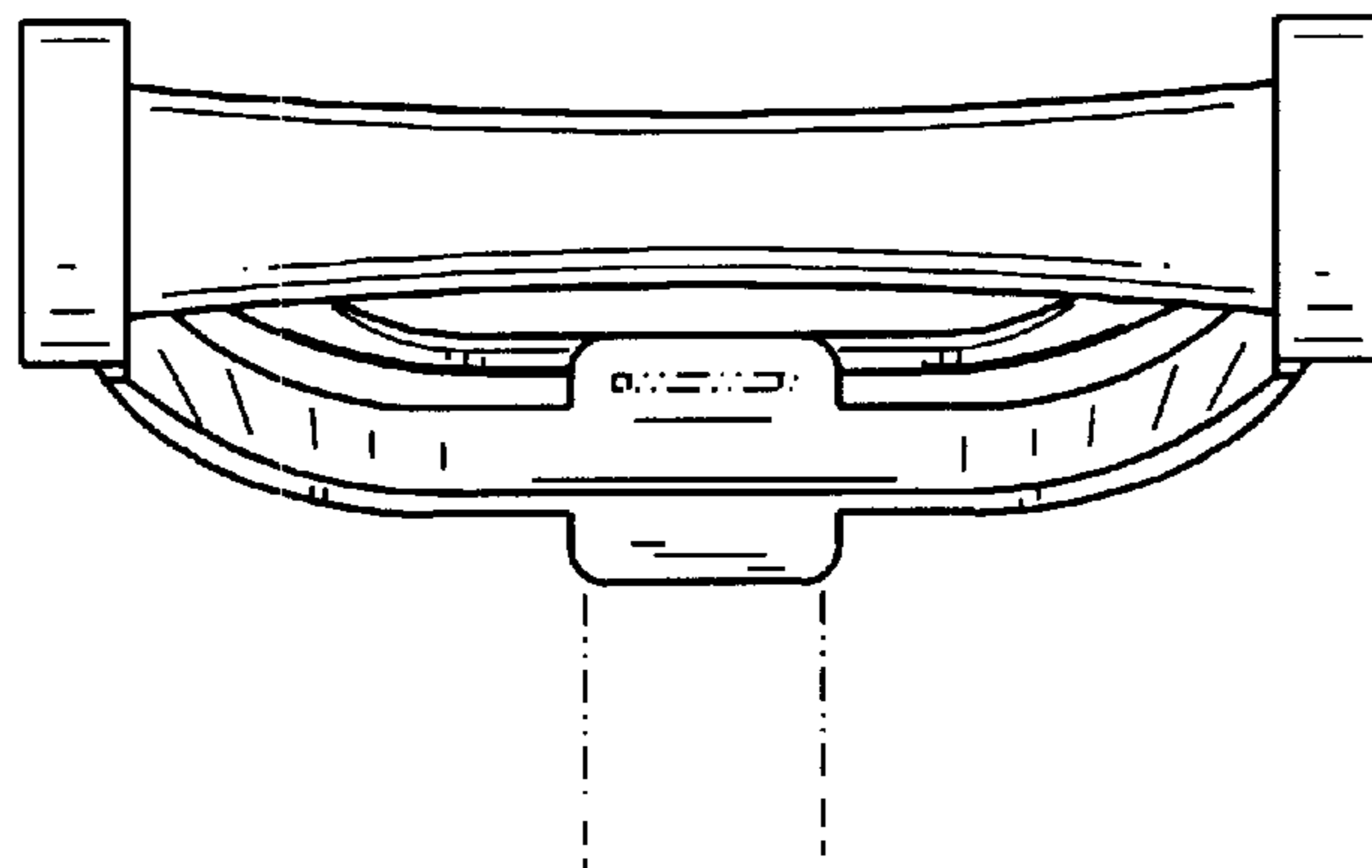
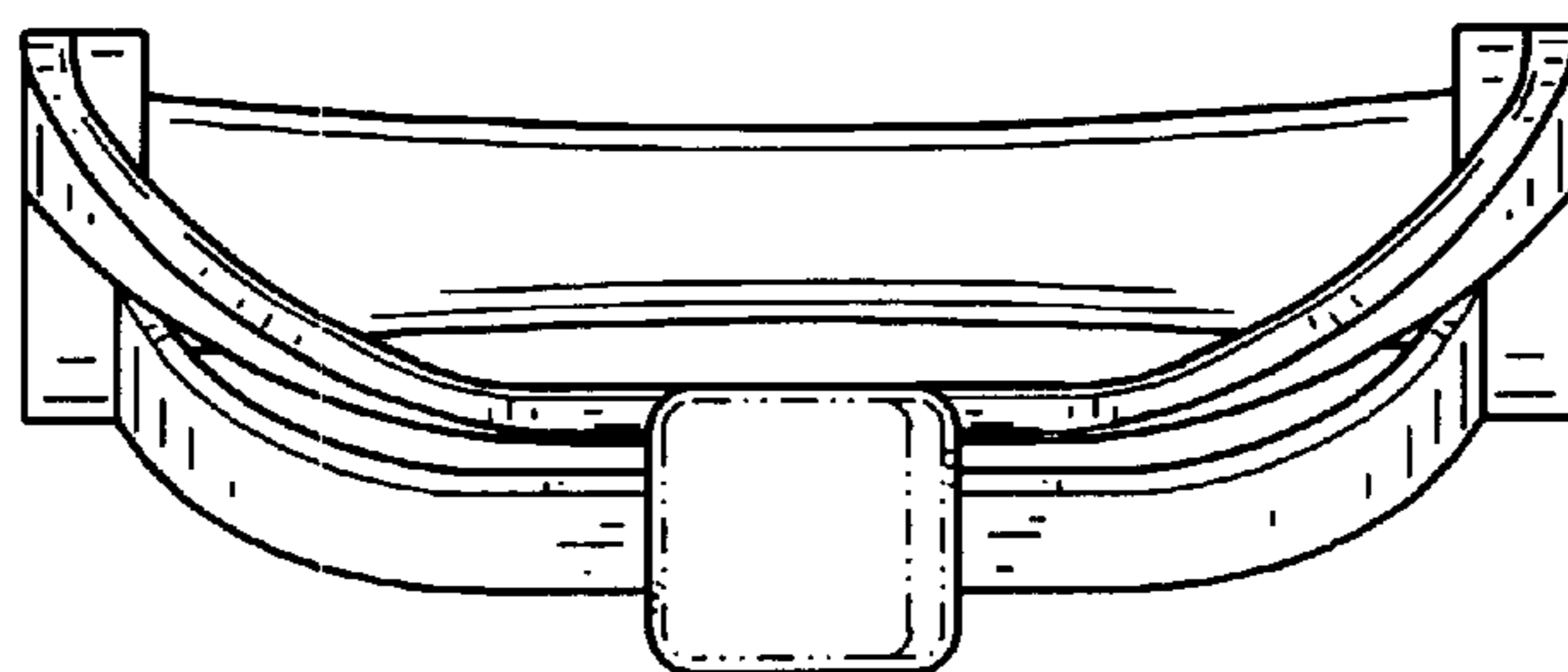


FIG. 30



UNITED STATES PATENT AND TRADEMARK OFFICE
CERTIFICATE OF CORRECTION

PATENT NO. : Des. 481,917 S
DATED : November 11, 2003
INVENTOR(S) : Mark A. McLean

Page 1 of 1

It is certified that error appears in the above-identified patent and that said Letters Patent is hereby corrected as shown below:

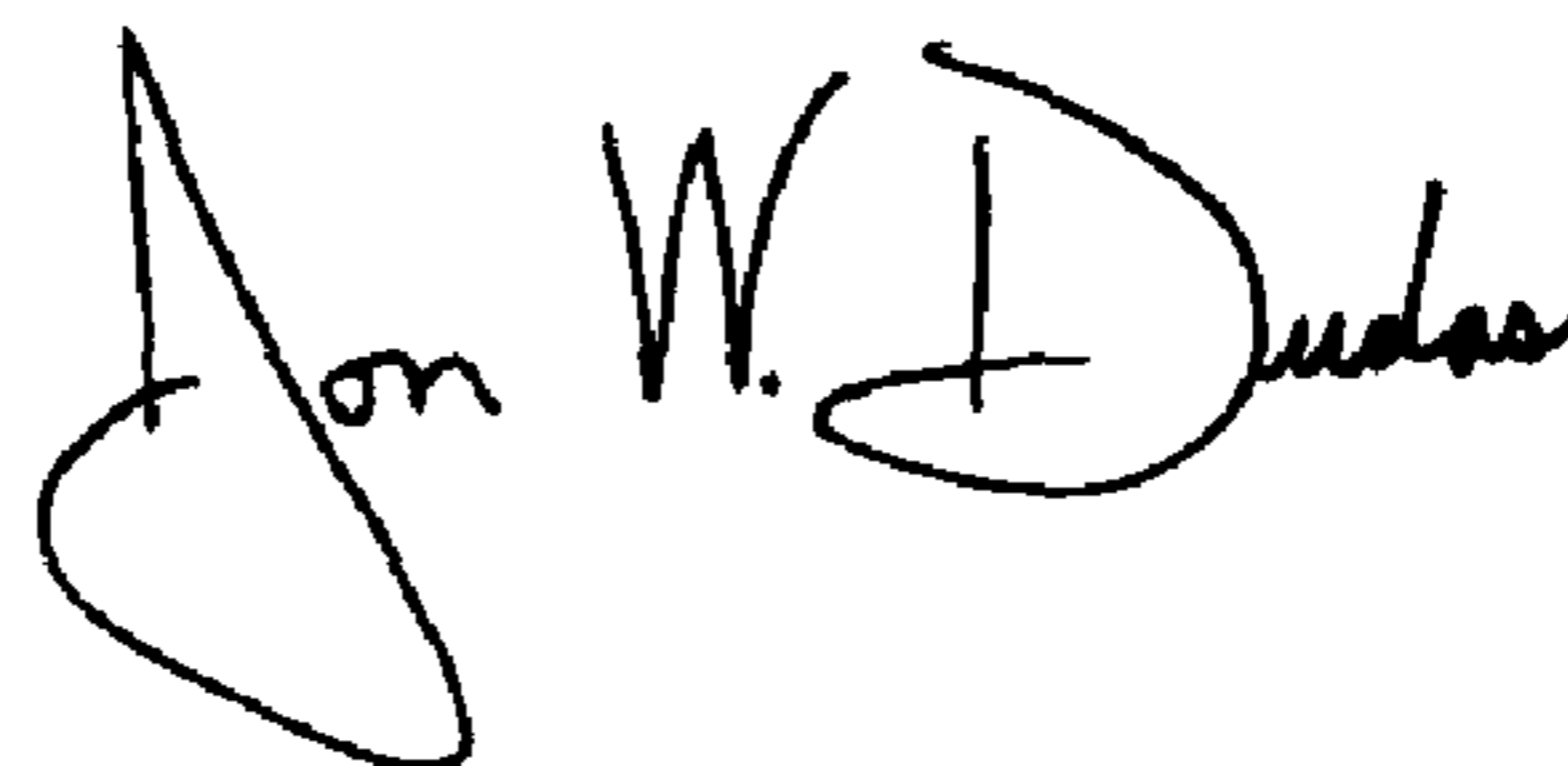
Title page,

DESCRIPTION,

Line 35, "The broken line showing of is for illustrative purposes only" is corrected to
-- The broken lines shown are for illustrative purposes only --.

Signed and Sealed this

Twenty-eighth Day of September, 2004

A handwritten signature in black ink that reads "Jon W. Dudas". The signature is written in a cursive style with a large, looped initial "J".

JON W. DUDAS
Director of the United States Patent and Trademark Office