



US00D481914S

(12) **United States Design Patent**  
**Short**

(10) **Patent No.:** **US D481,914 S**

(45) **Date of Patent:** **\*\* Nov. 11, 2003**

(54) **BREAD CRUST CUTTER**

(74) *Attorney, Agent, or Firm*—Bradley P. Sylvester

(76) **Inventor:** **Steven Short**, 110 N. Hartup,  
McPherson, KS (US) 67460

(57) **CLAIM**

The ornamental design for a “bread crust cutter”, as shown and described.

(\*\*) **Term:** **14 Years**

**DESCRIPTION**

(21) **Appl. No.:** **29/153,002**

FIG. 1 is a perspective view of the top and front side of the bread crust cutter.

(22) **Filed:** **Jan. 4, 2002**

FIG. 2 is a perspective view of the top and bottom side of the bread crust cutter.

(51) **LOC (7) Cl.** ..... **07-04**

(52) **U.S. Cl.** ..... **D7/675**

FIG. 3 is a perspective view of the underneath and top side of the bread crust cutter.

(58) **Field of Search** ..... D7/672–675; 30/314–317,  
30/305, 280

FIG. 4 is a perspective view of the underneath and bottom side of the bread crust cutter.

(56) **References Cited**

**U.S. PATENT DOCUMENTS**

4,245,973	A	*	1/1981	Greaney	.....	D7/672	X
D274,592	S	*	7/1984	Bever	.....	D7/675	
D275,923	S	*	10/1984	Wimmer	.....	D7/672	
D309,230	S	*	7/1990	Mulherin	.....	D7/673	

FIG. 5 is a side view of the top side of the bread crust cutter.

FIG. 6 is a side view of the bottom side of the bread crust cutter.

FIG. 7 is a side view of the left side of the bread crust cutter; and,

FIG. 8 is a side view of the right side of the bread crust cutter.

\* cited by examiner

*Primary Examiner*—Terry A. Wallace

**1 Claim, 8 Drawing Sheets**

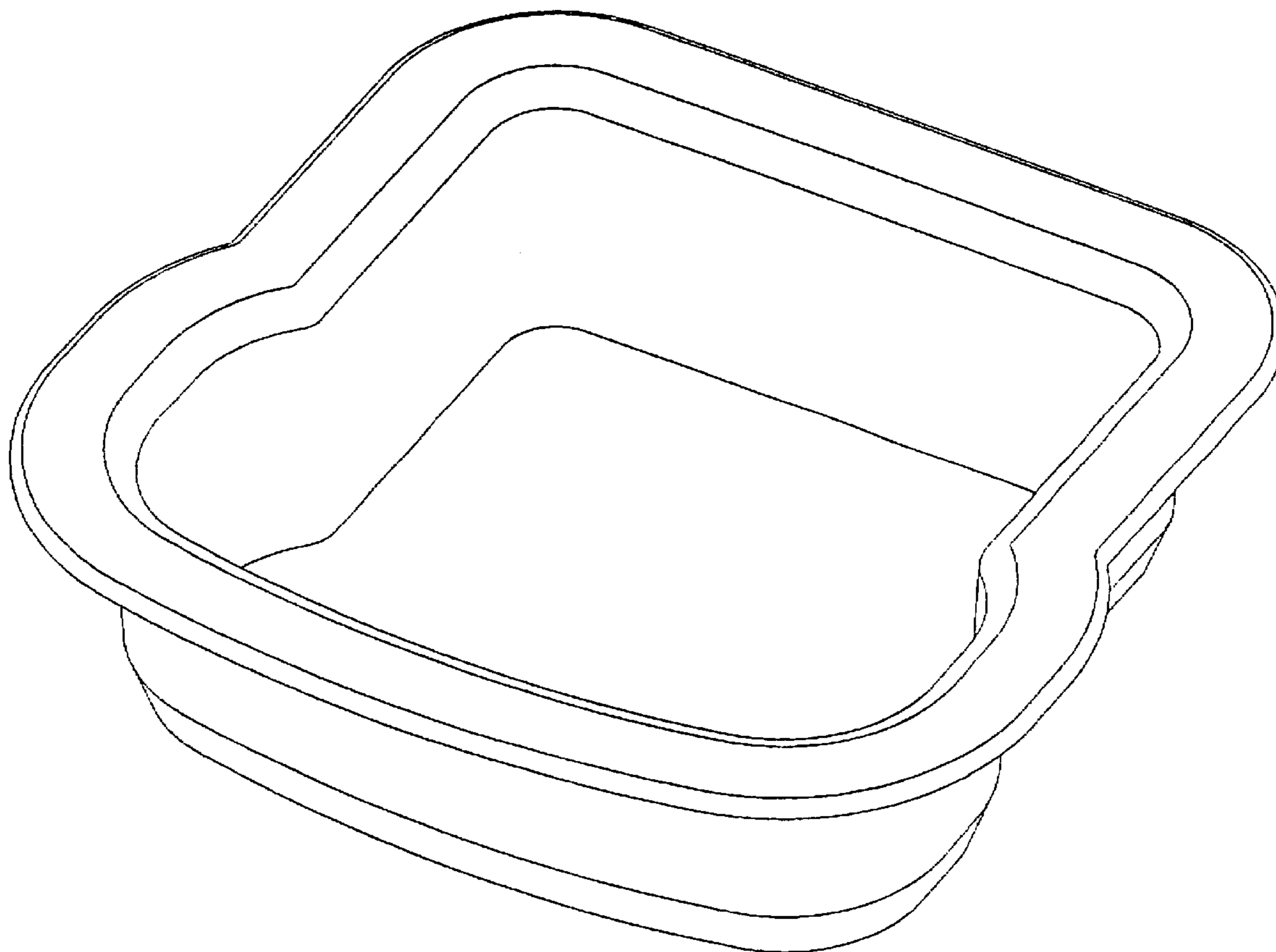


Fig. 1

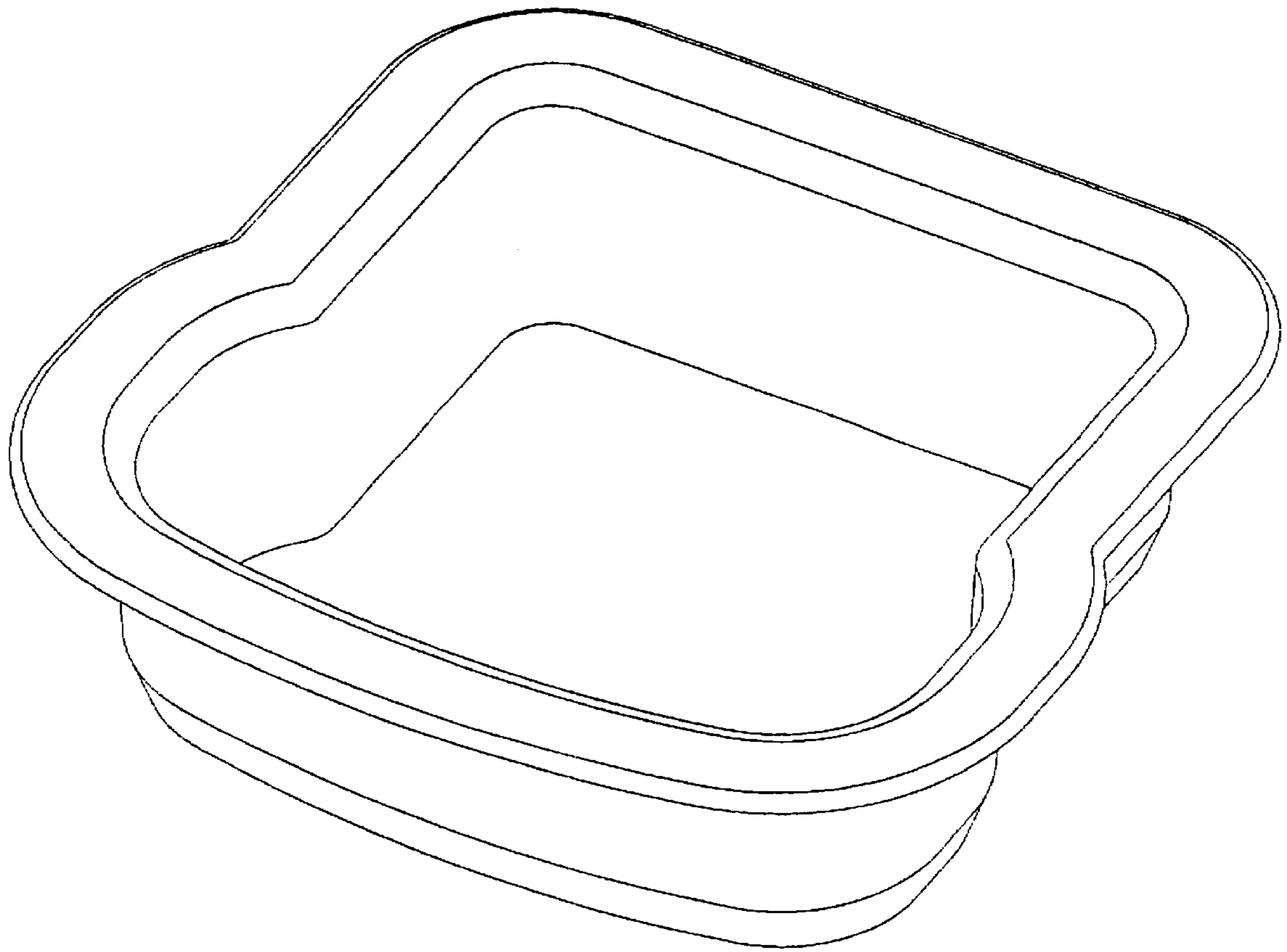


Fig. 2

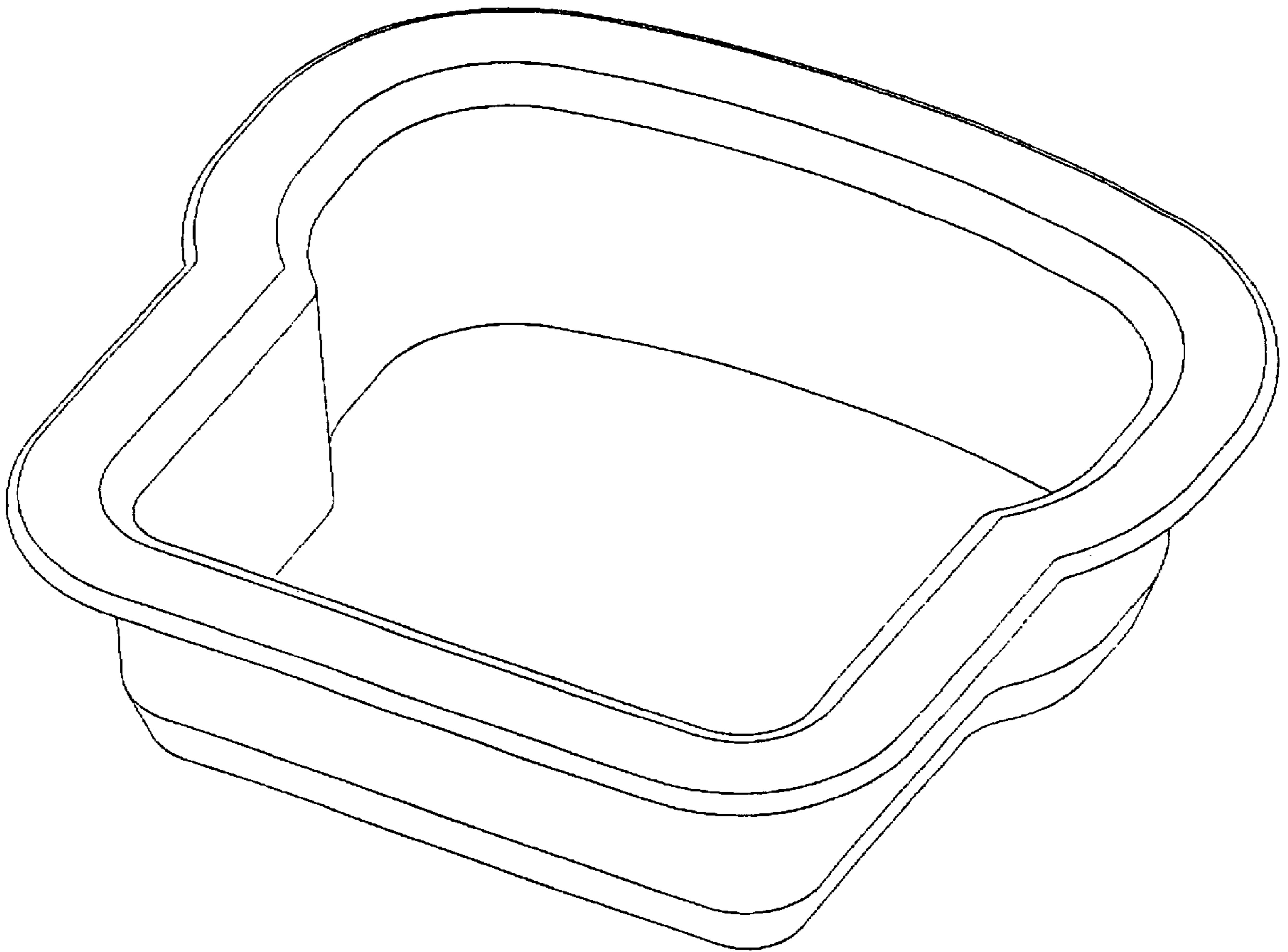


Fig. 3

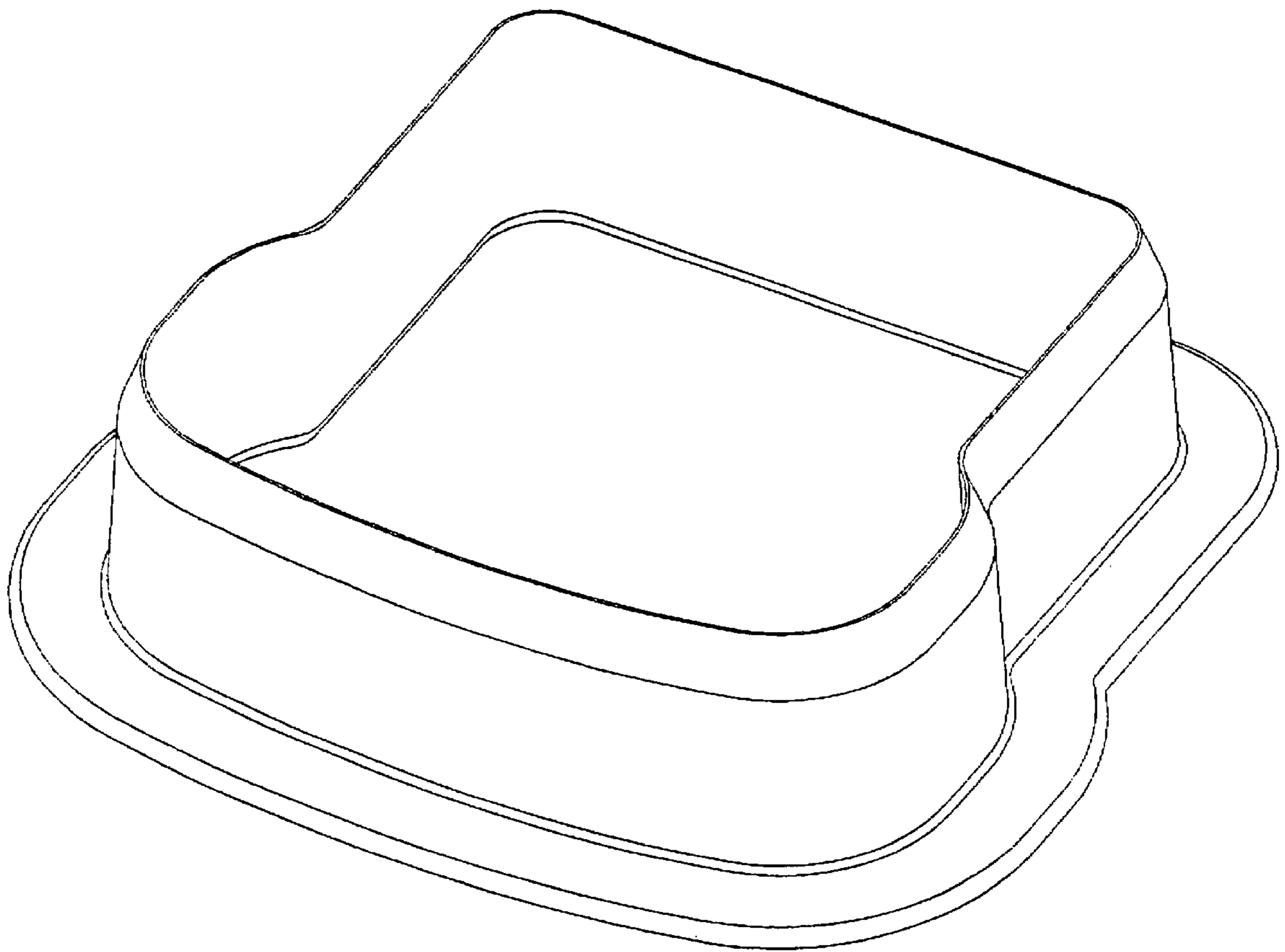


Fig. 4

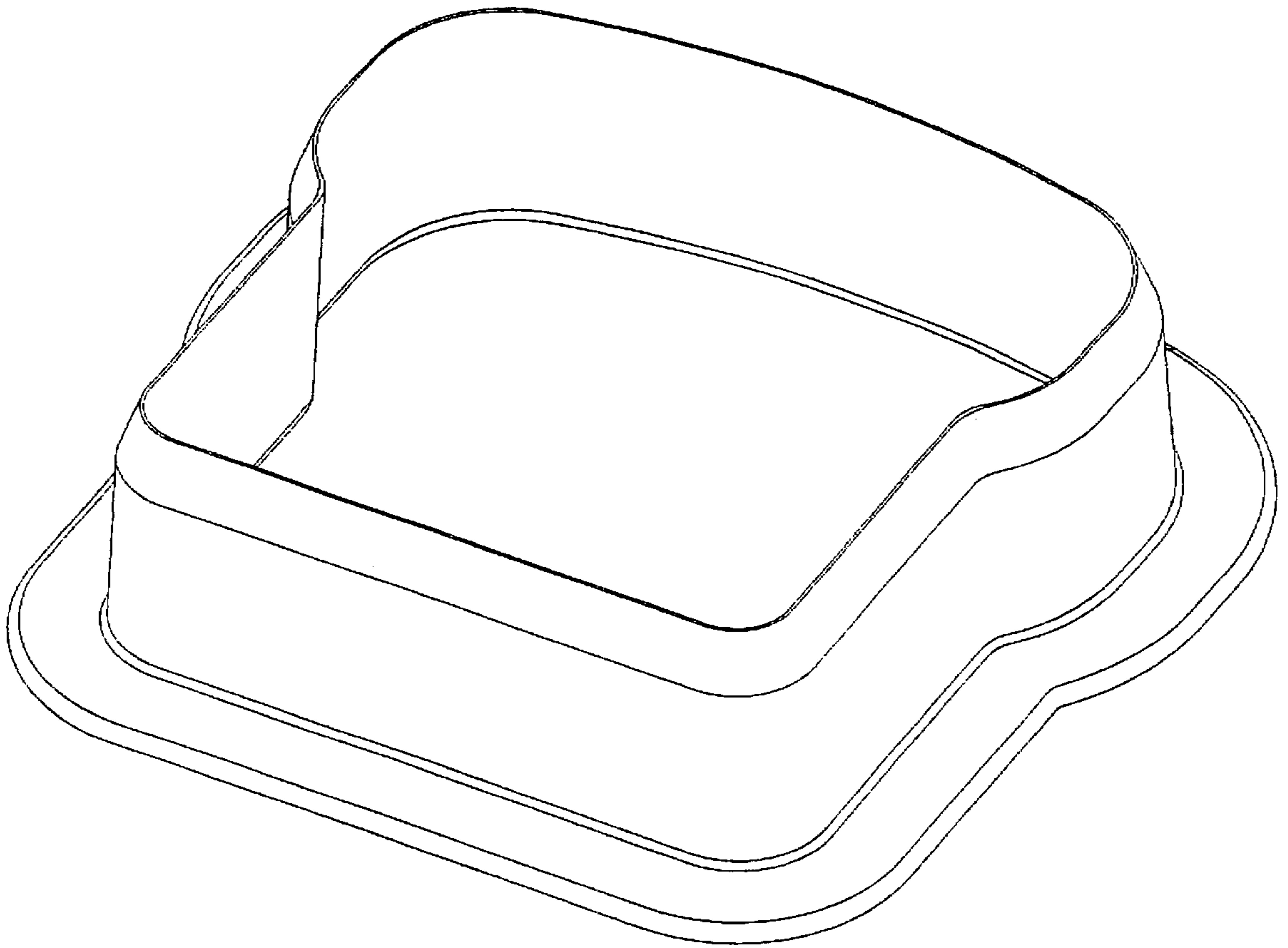


Fig. 5

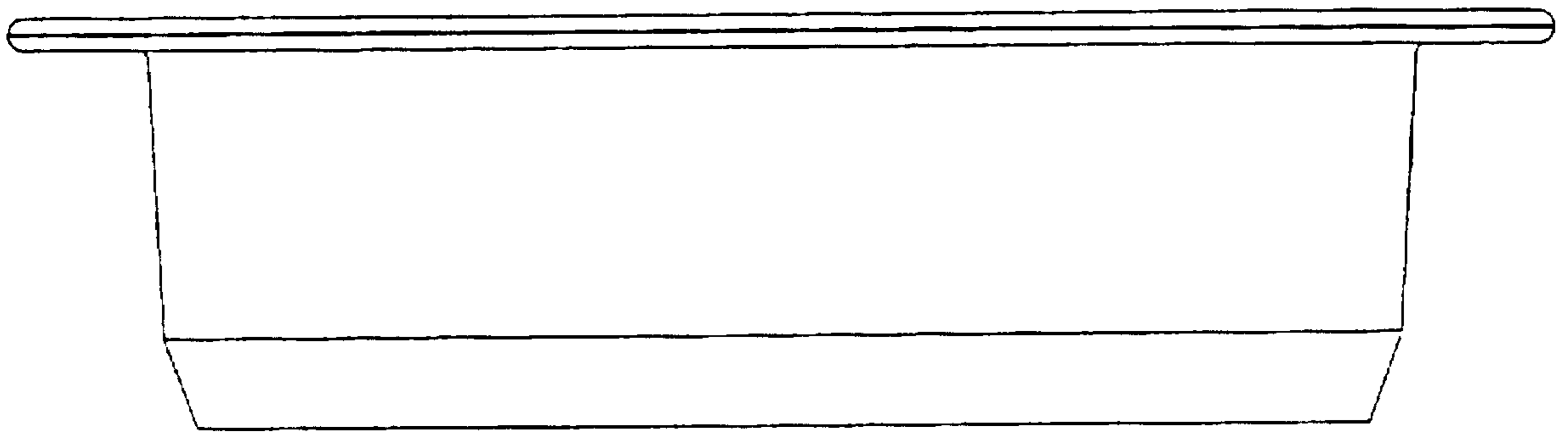


Fig. 6

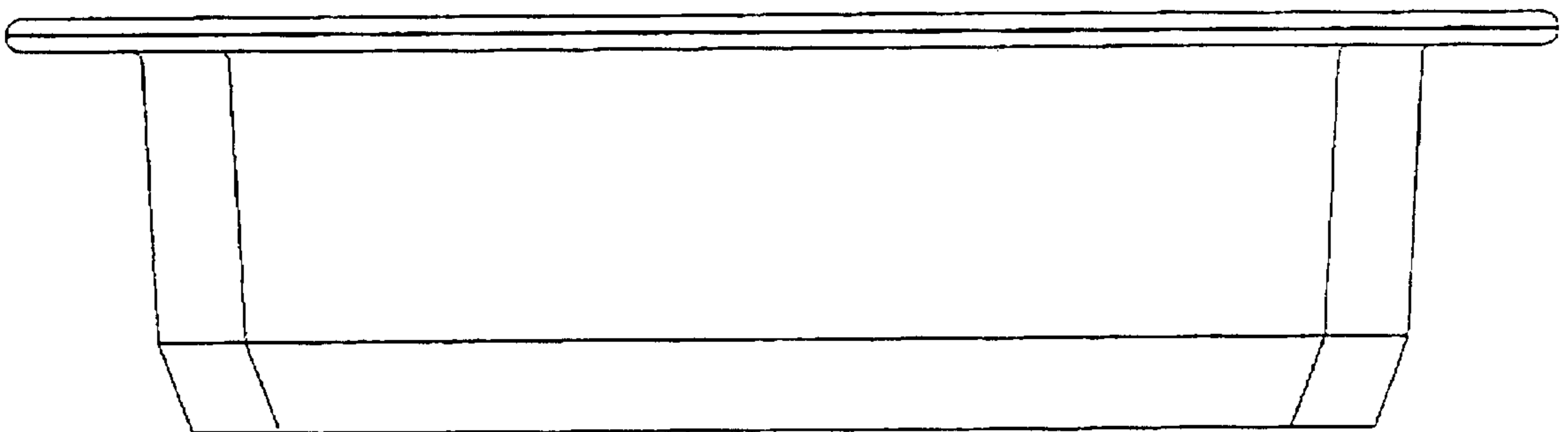


Fig. 7

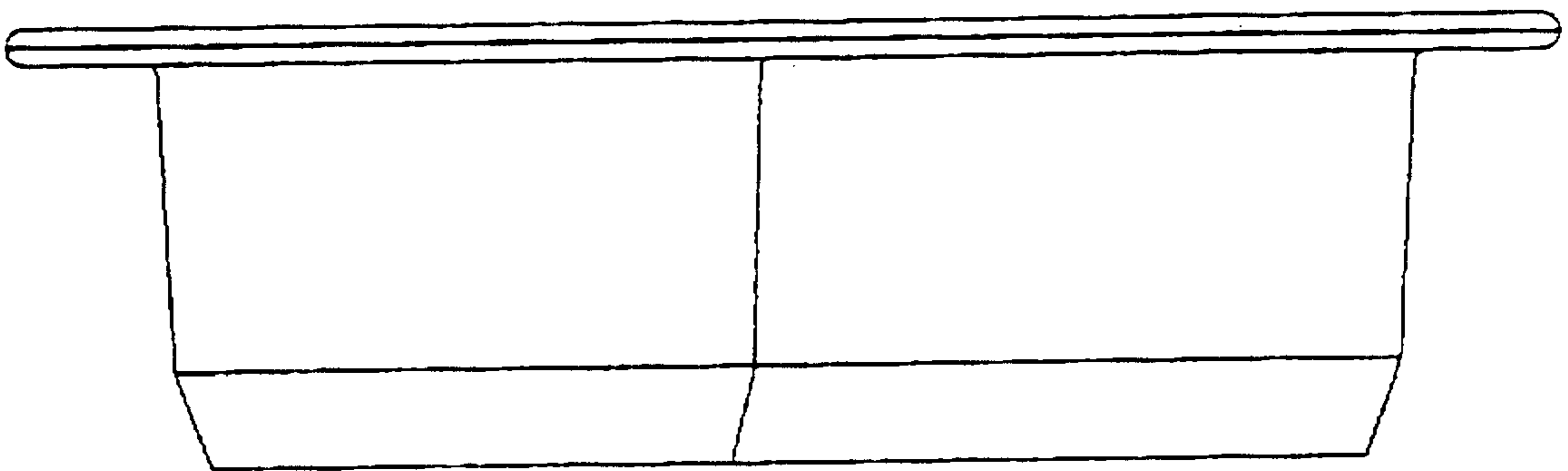




Fig. 8

