



US00D481911S

(12) **United States Design Patent**
Yaskus

(10) **Patent No.:** **US D481,911 S**

(45) **Date of Patent:** **** Nov. 11, 2003**

(54) **KNIFE REST**

(76) **Inventor:** **Tammy L. Yaskus**, P.O. Box 1728,
Granite Falls, WA (US) 98252

(**) **Term:** **14 Years**

(21) **Appl. No.:** **29/171,229**

(22) **Filed:** **Nov. 20, 2002**

(51) **LOC (7) Cl.** **07-06**

(52) **U.S. Cl.** **D7/641**

(58) **Field of Search** D7/637-641; 211/13.1,
211/70.6-70.8, 85.13, 184; 220/890, 504;
248/37.3, 174, 176.1

(56) **References Cited**

U.S. PATENT DOCUMENTS

- D48,937 S * 4/1916 Huthmaker et al. D7/641
- D55,516 S * 6/1920 Huthmaker et al. D7/639
- 2,651,927 A * 9/1953 Mullins 220/890
- D292,861 S * 11/1987 Dorper D7/639

- 4,940,199 A * 7/1990 Hall 248/37.3
- D367,405 S * 2/1996 Bridger D7/641
- D378,564 S * 3/1997 Hall D7/637
- 6,367,637 B1 * 4/2002 Davis et al. 211/85.13

* cited by examiner

Primary Examiner—Terry A. Wallace

(74) *Attorney, Agent, or Firm*—Donna J. Thies

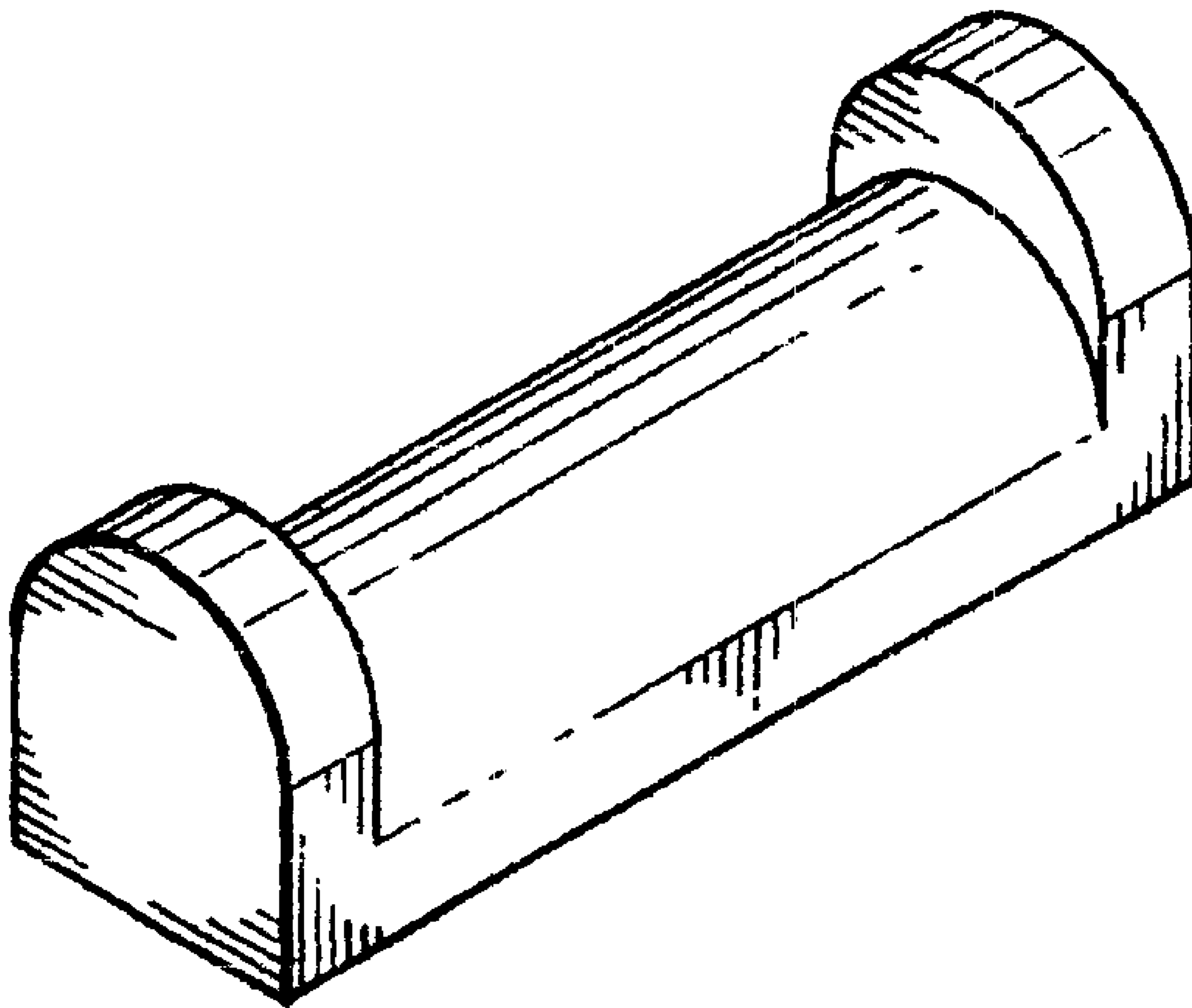
(57) **CLAIM**

The ornamental design for a knife rest, as shown and described.

DESCRIPTION

FIG. 1 is an isometric view of the knife rest or similar article showing my new design;
 FIG. 2 is a top view thereof;
 FIG. 3 is an end view thereof;
 FIG. 4 is a side view thereof; the opposite side is symmetrical; and,
 FIG. 5 is a bottom view thereof.

1 Claim, 1 Drawing Sheet



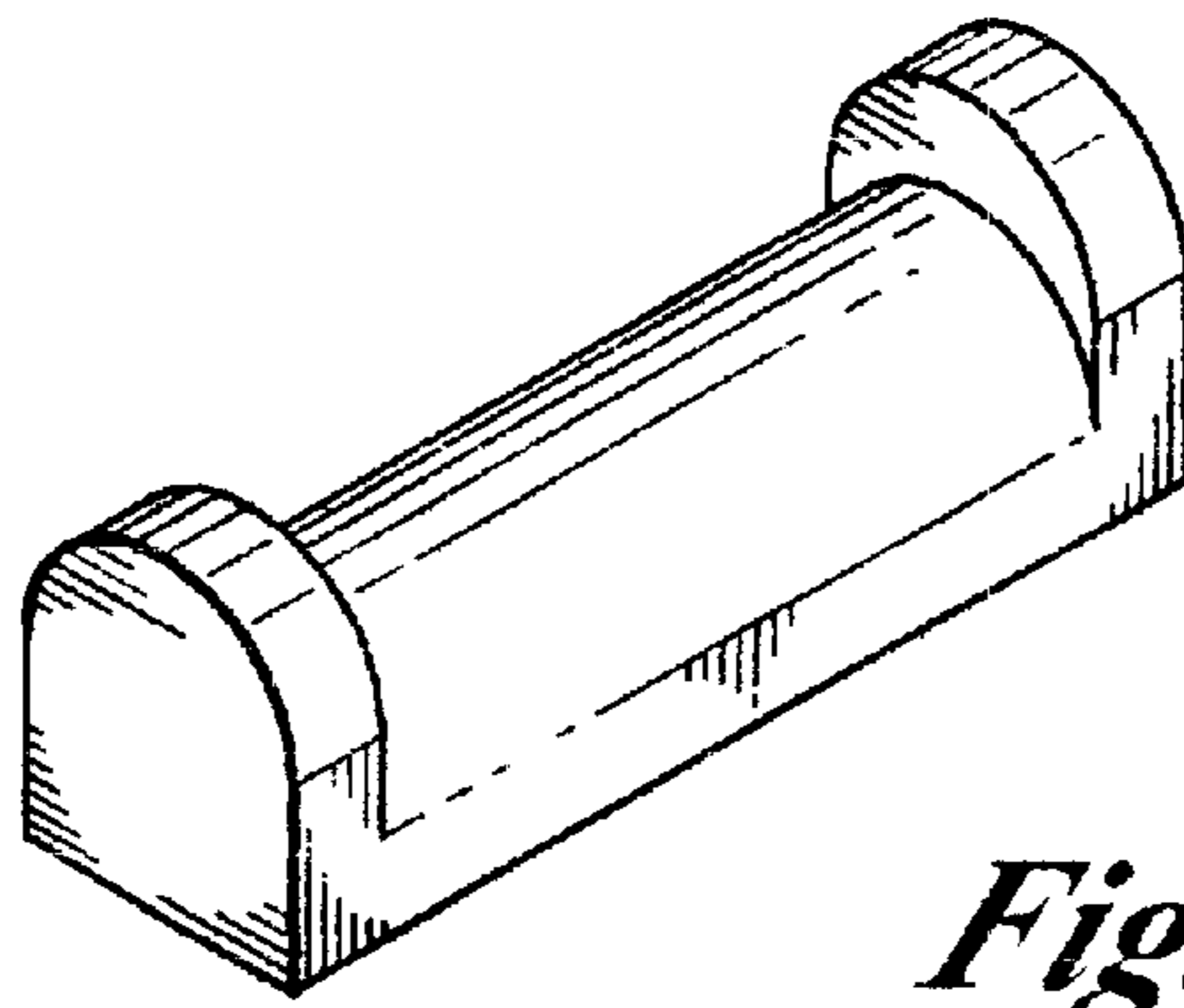


Fig. 1.

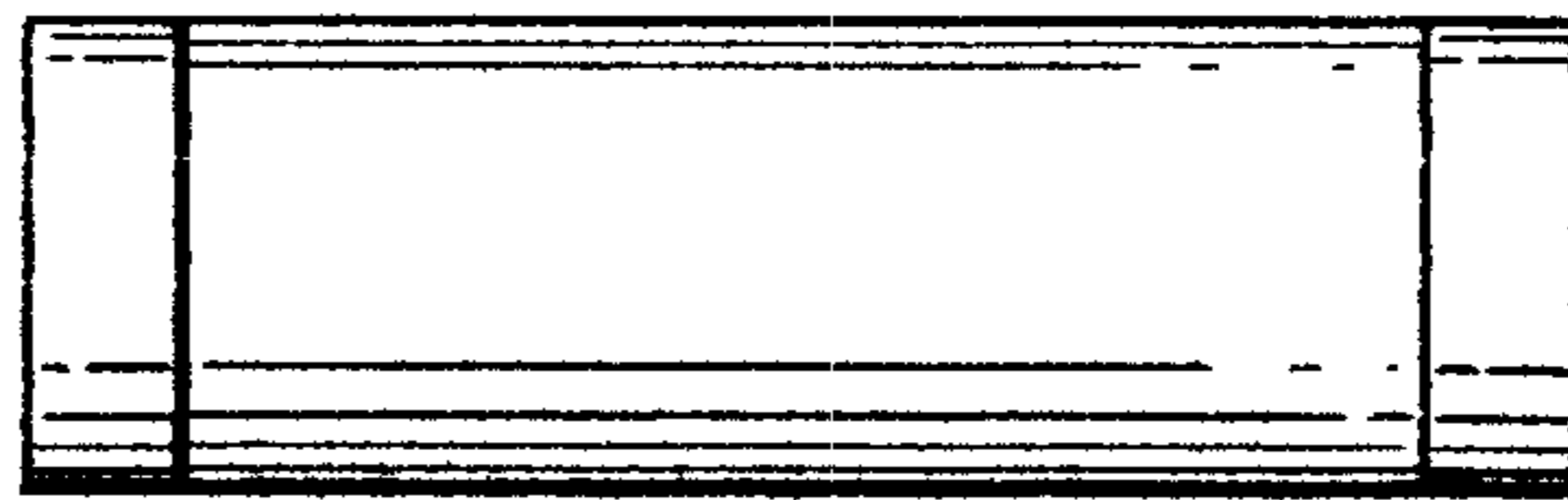


Fig. 2.

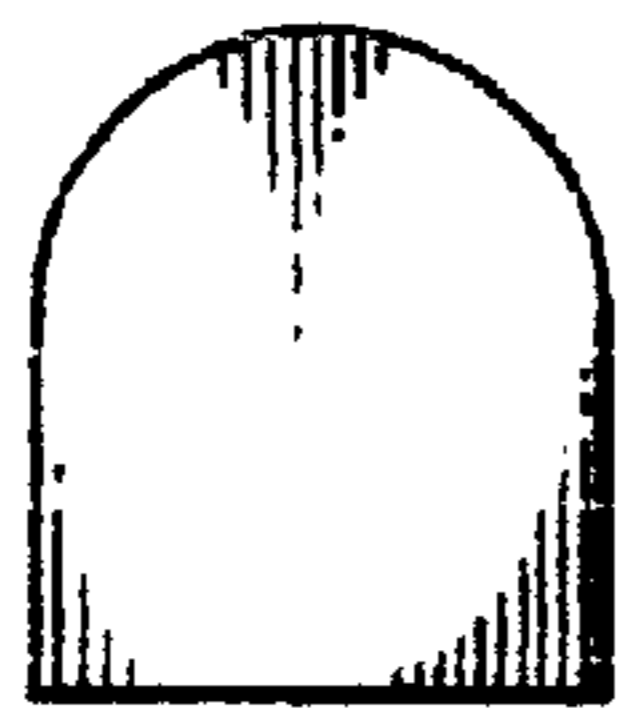


Fig. 3.

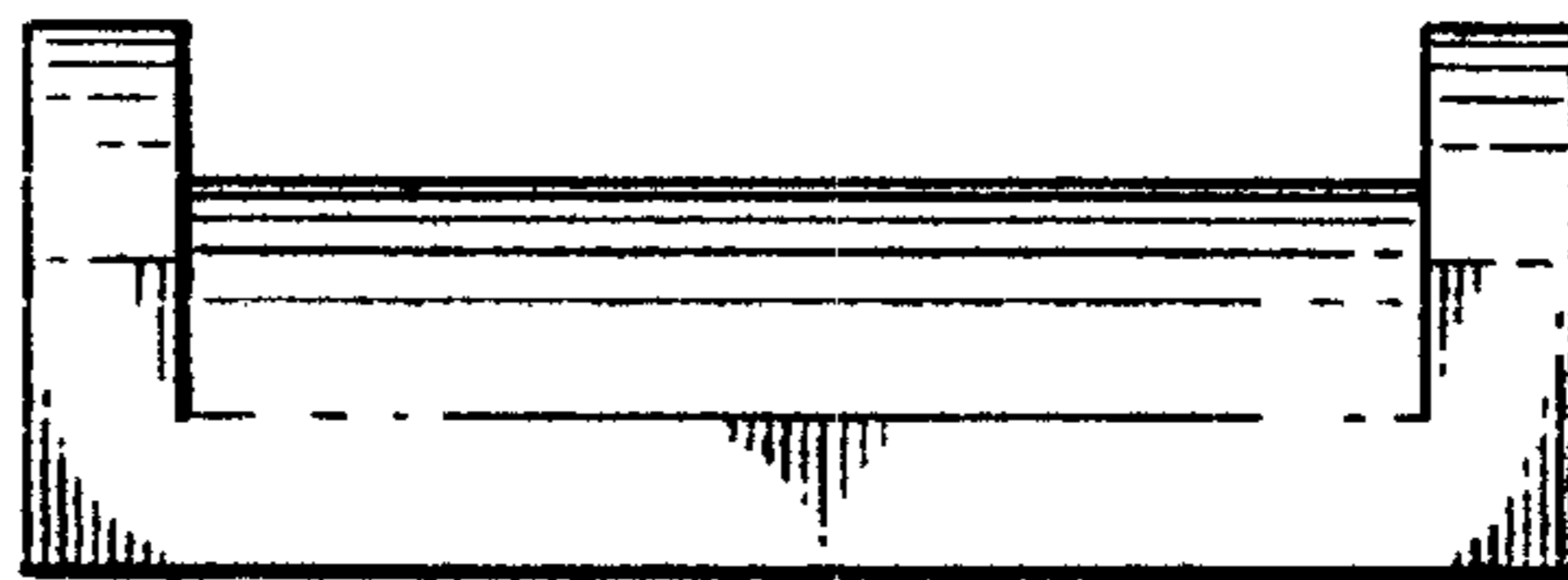


Fig. 4.

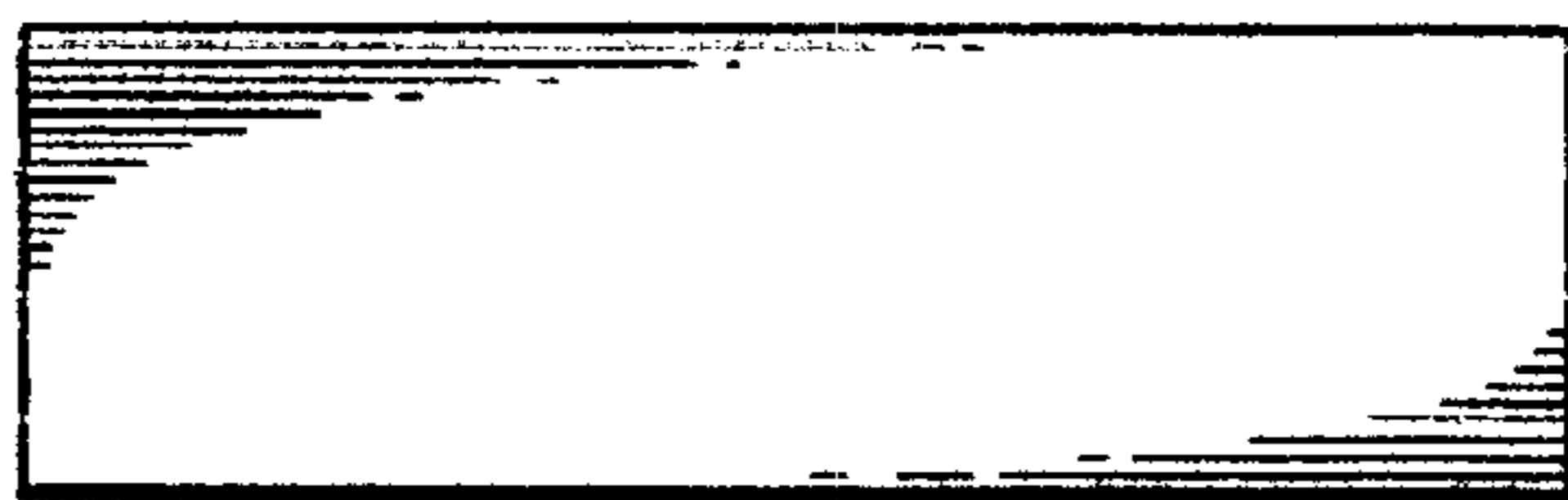


Fig. 5.