



US00D481904S

(12) **United States Design Patent**
Mak

(10) **Patent No.:** **US D481,904 S**

(45) **Date of Patent:** **** Nov. 11, 2003**

(54) **DOUBLE GRILL**

(76) **Inventor:** **Tai Mak**, 2100 Corporate Square Blvd.,
Jacksonville, FL (US) 32216

(**) **Term:** **14 Years**

(21) **Appl. No.:** **29/171,286**

(22) **Filed:** **Nov. 21, 2002**

(51) **LOC (7) Cl.** **07-02**

(52) **U.S. Cl.** **D7/337**

(58) **Field of Search** D7/332-337, 402-404;
126/25 R, 25 A, 25 AA, 41 R, 29-30, 9 R,
9 A, 9 B, 8; 99/419, 421 R

(56) **References Cited**

U.S. PATENT DOCUMENTS

D282,811 S * 3/1986 Best D7/332
D337,237 S * 7/1993 Frizell D7/332
5,394,590 A * 3/1995 Yu 16/357
D370,380 S * 6/1996 McGourthy, Jr. et al. D7/332

D381,551 S * 7/1997 Sternberg D7/332

D455,598 S * 4/2002 Pai D7/337

D461,360 S * 8/2002 Bossler D7/337

D468,151 S * 1/2003 Yeh et al. D7/337

* cited by examiner

Primary Examiner—Ruth McInroy

(74) *Attorney, Agent, or Firm*—Thomas C. Saitta

(57) **CLAIM**

The ornamental design for a double grill, as shown.

DESCRIPTION

FIG. 1 is a front view of a double grill showing my new design;

FIG. 2 is a rear view thereof;

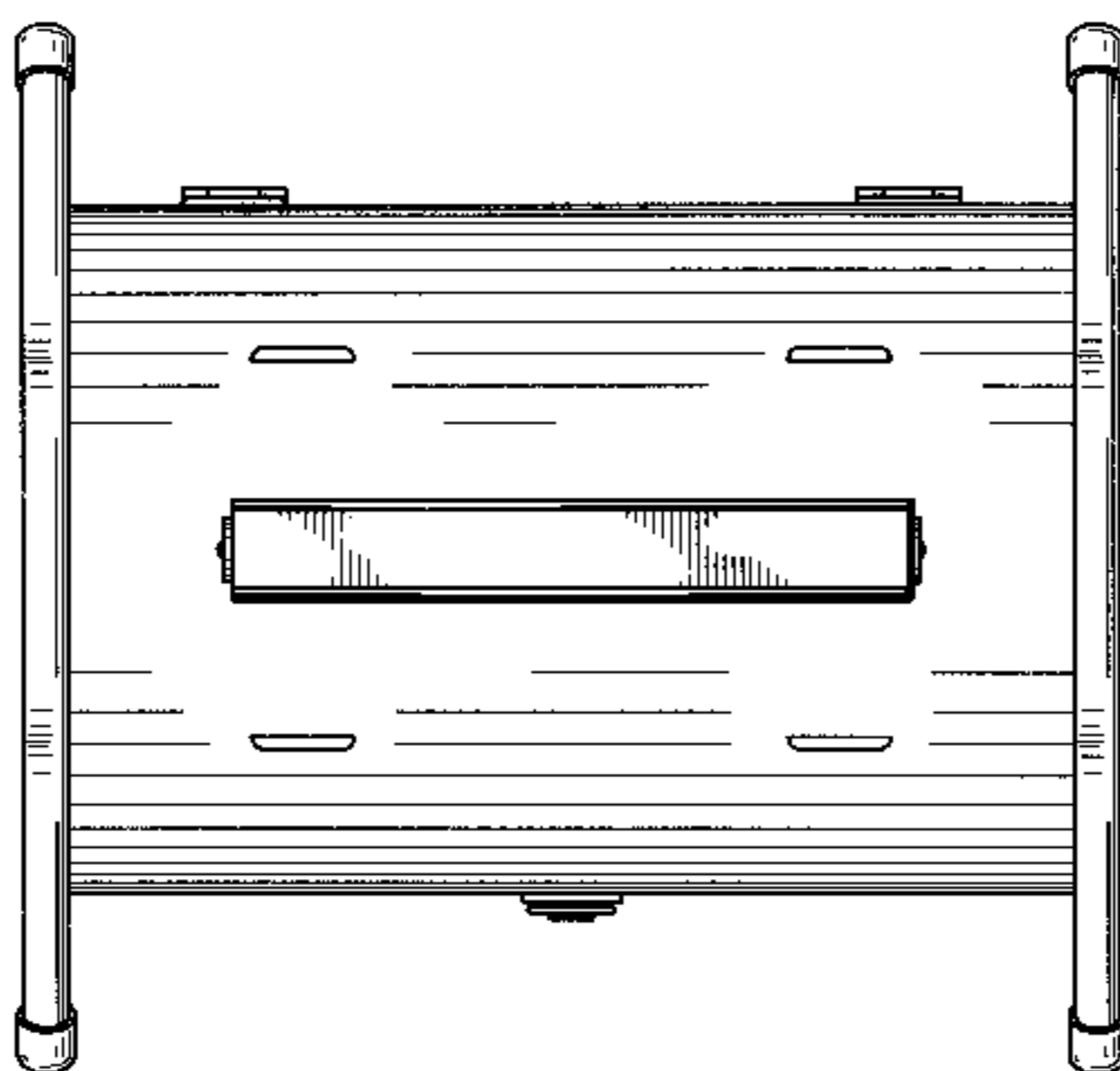
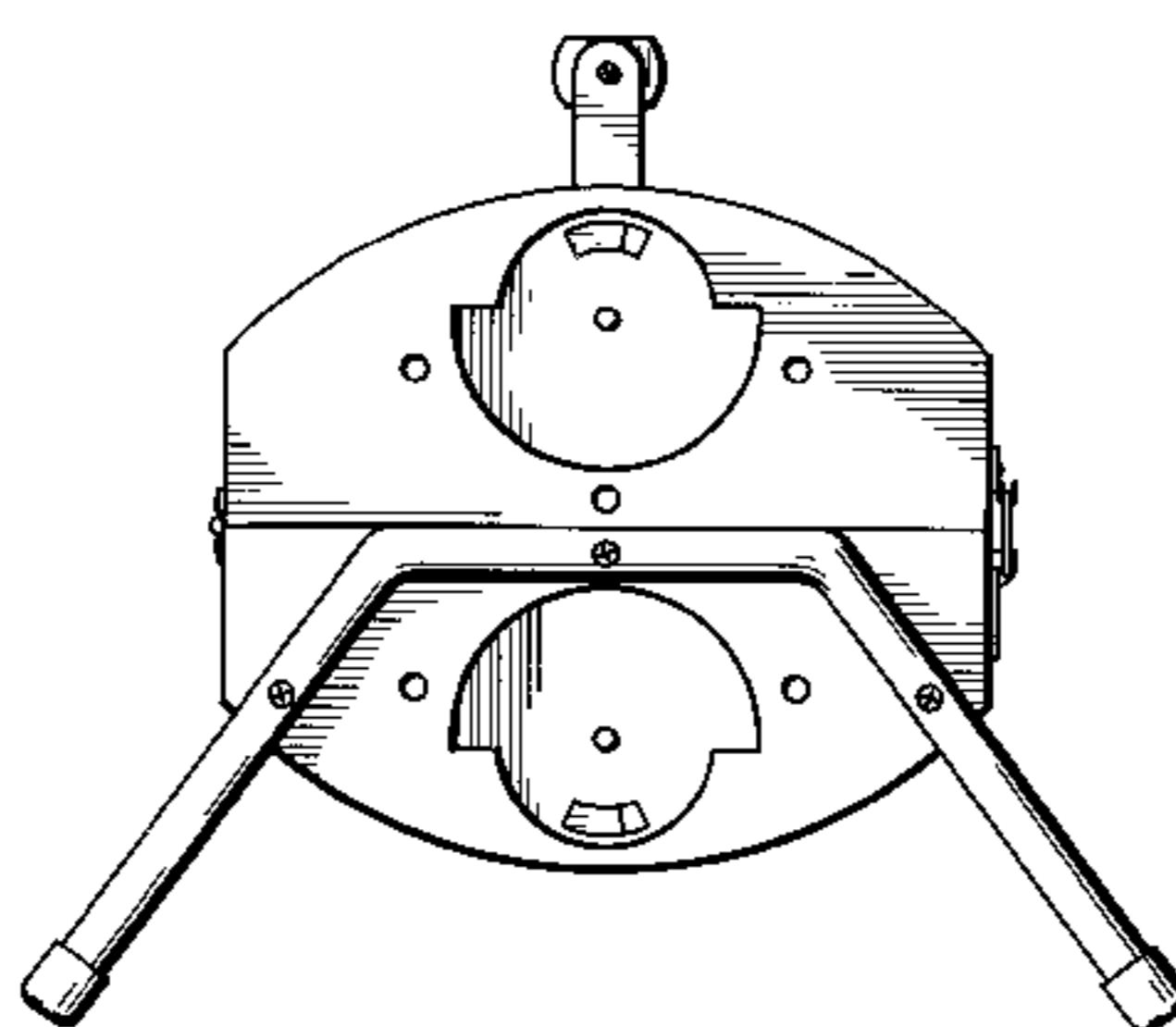
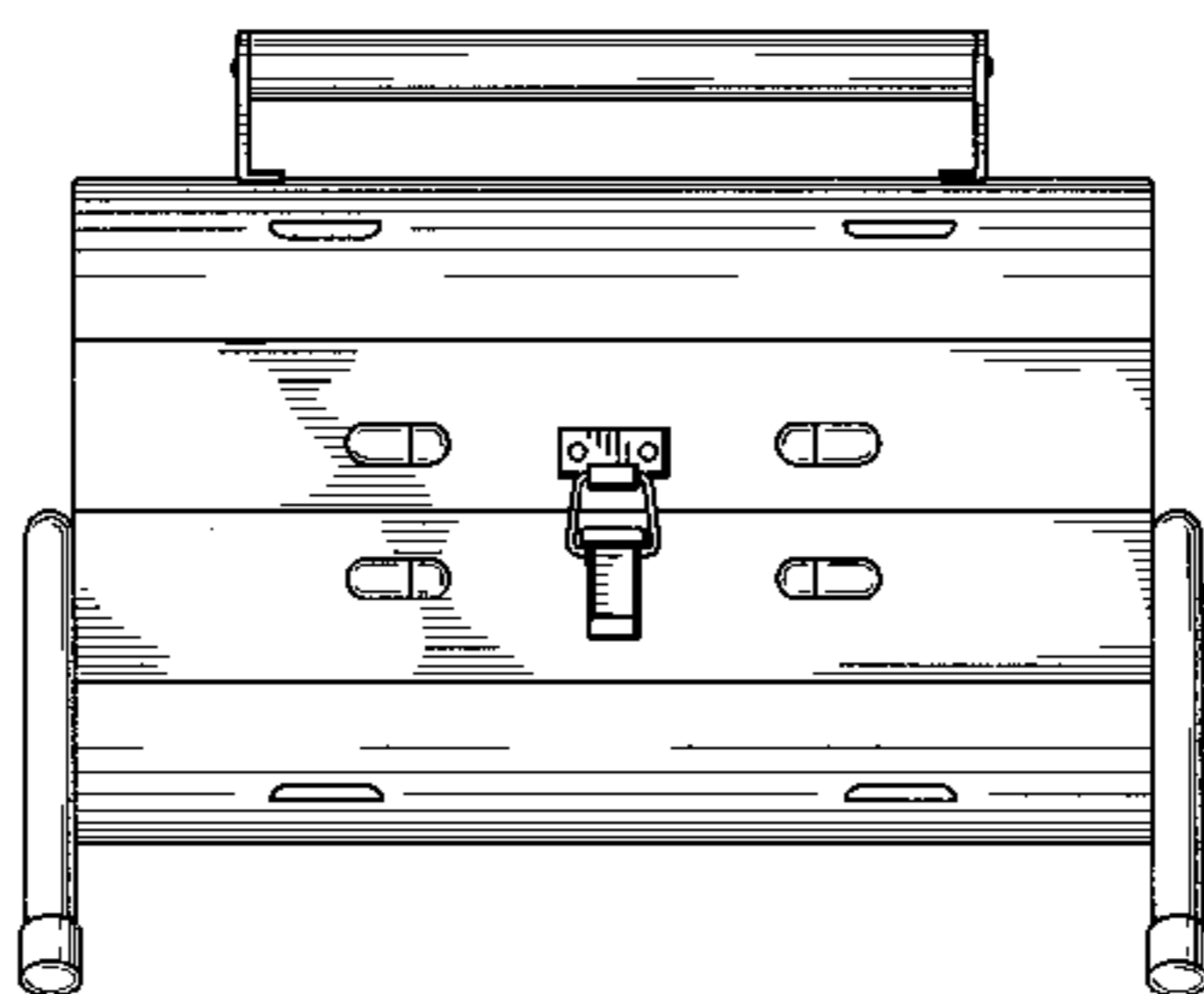
FIG. 3 is a left side view thereof;

FIG. 4 is a right side view thereof;

FIG. 5 is a top view thereof; and,

FIG. 6 is a bottom view thereof.

1 Claim, 3 Drawing Sheets



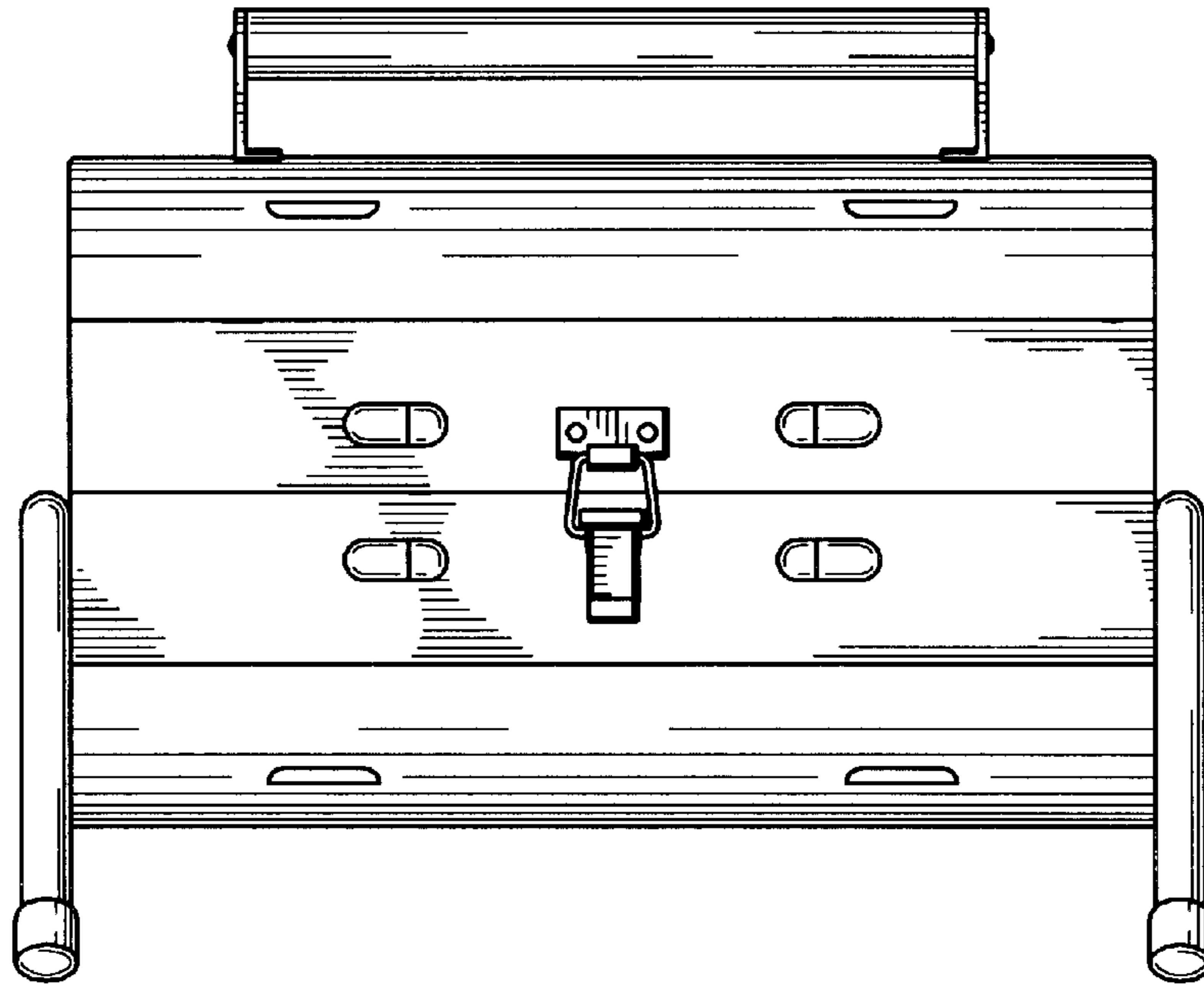


Fig. 1

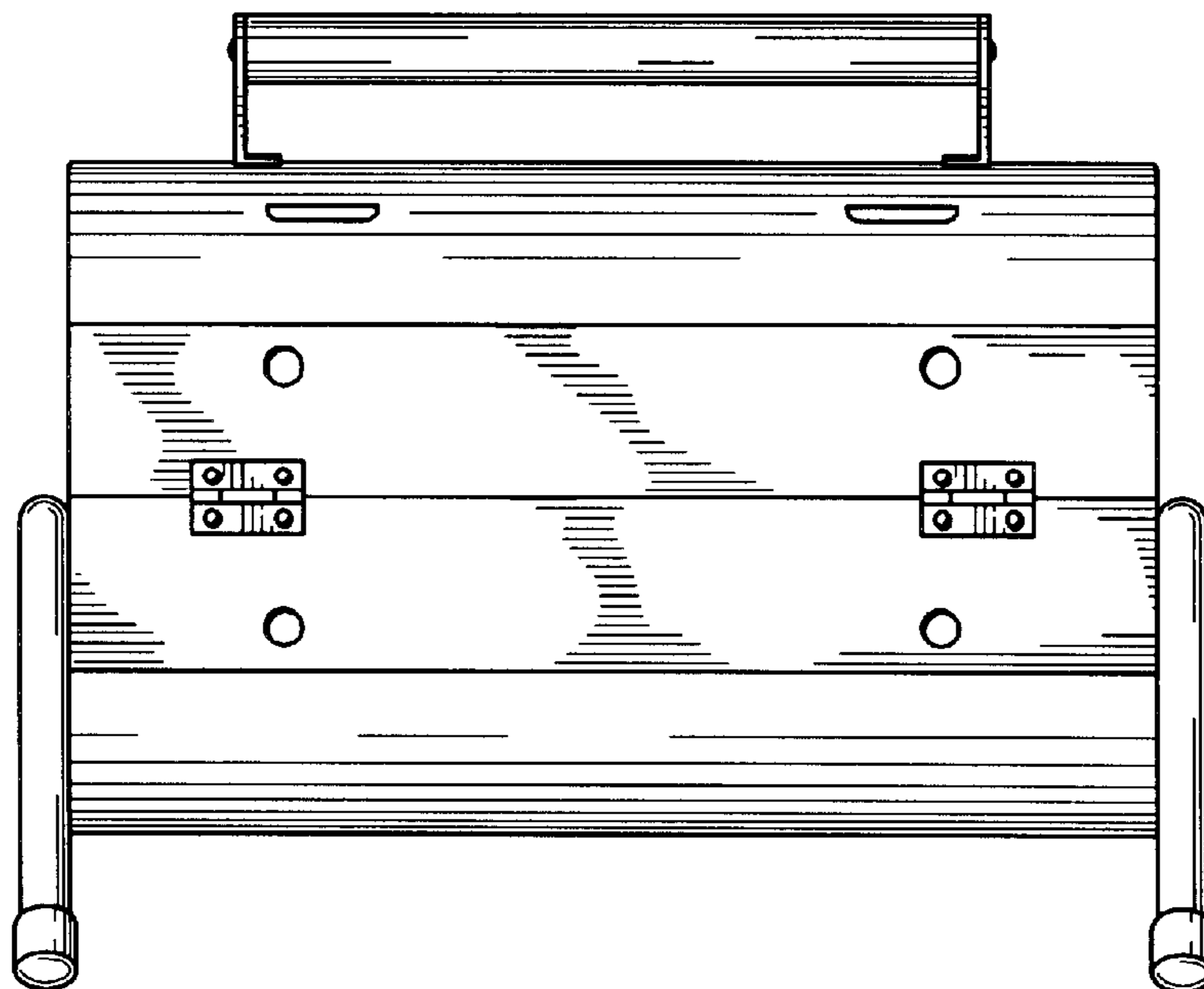


Fig. 2

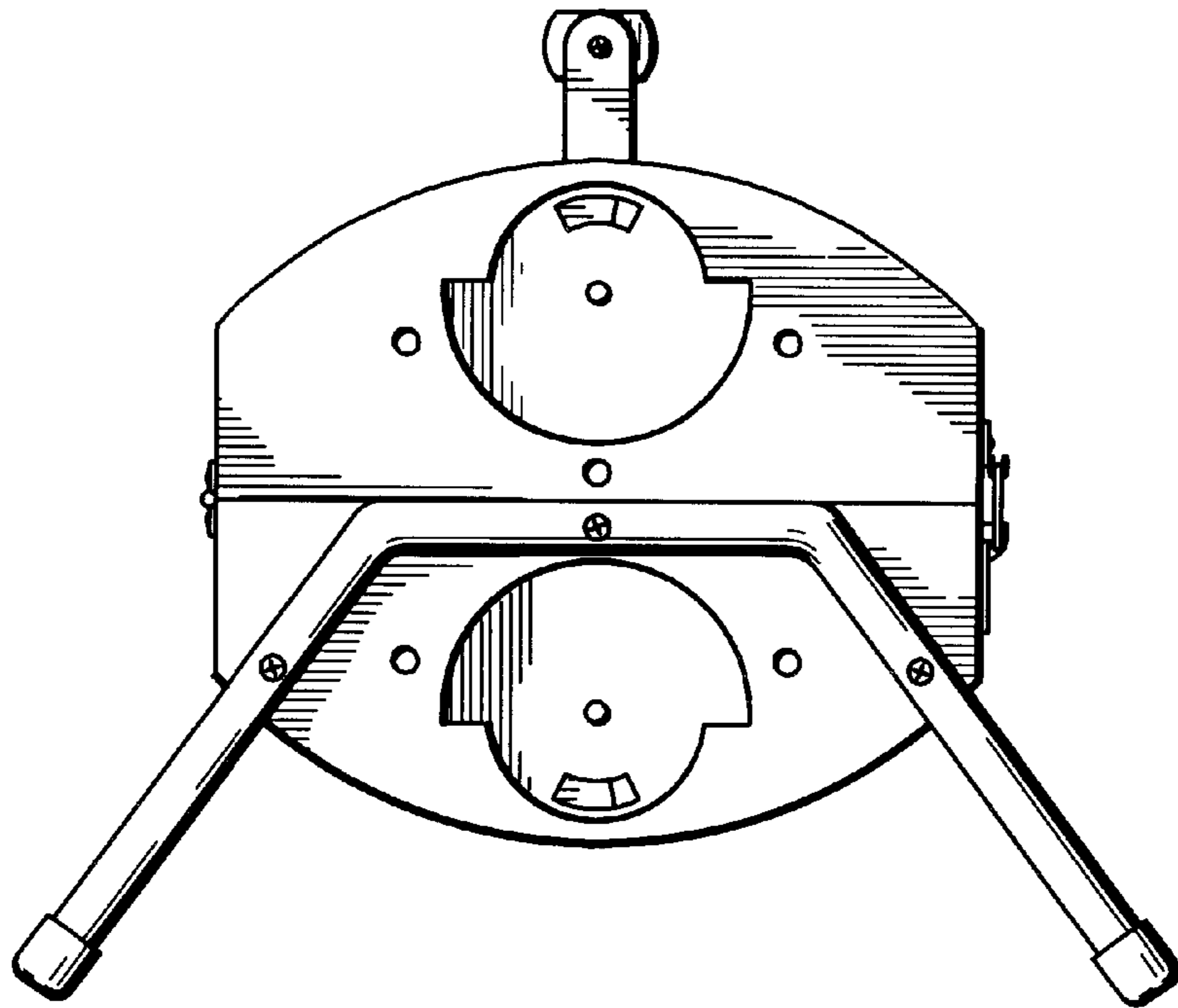


Fig. 3

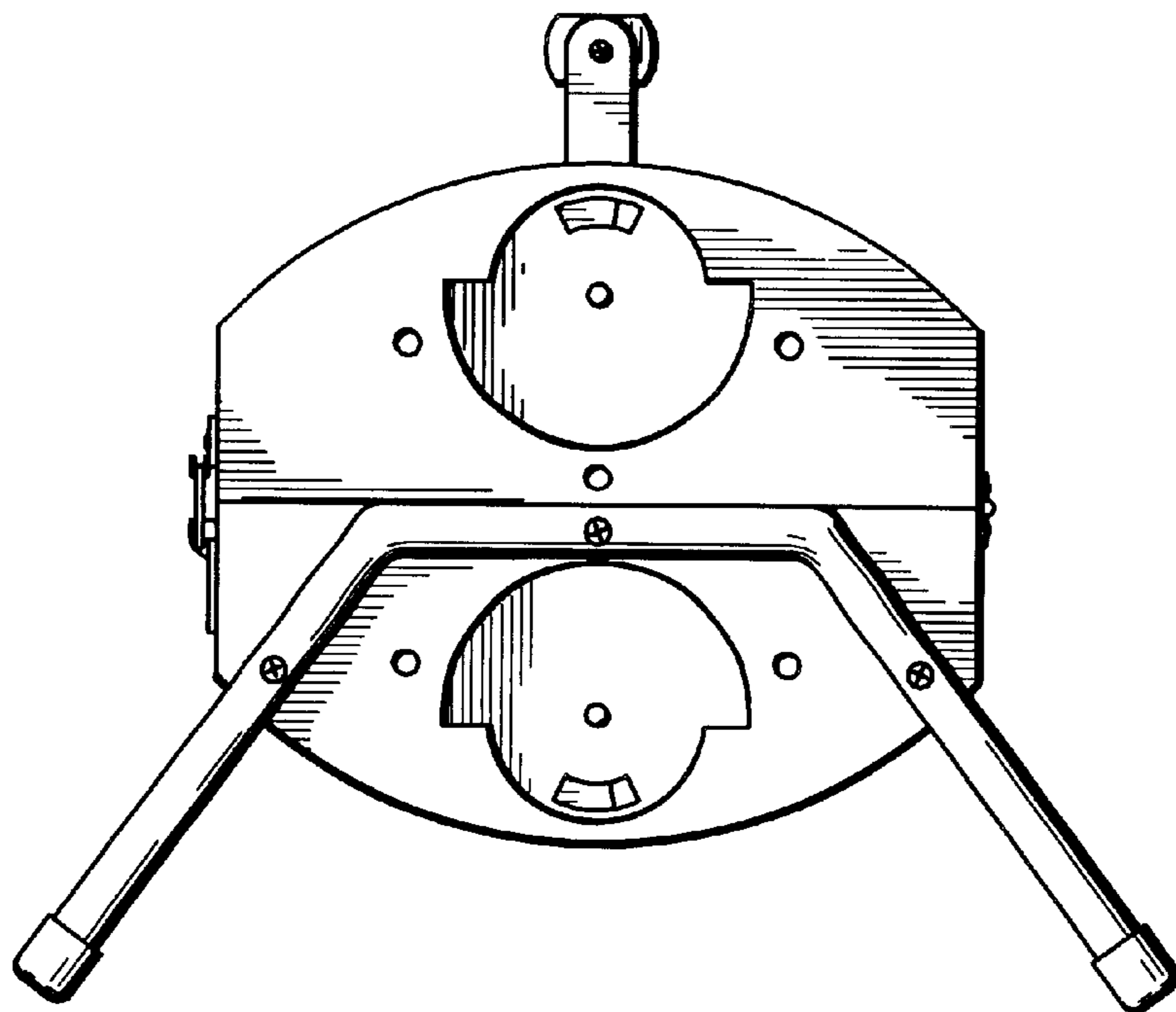


Fig. 4

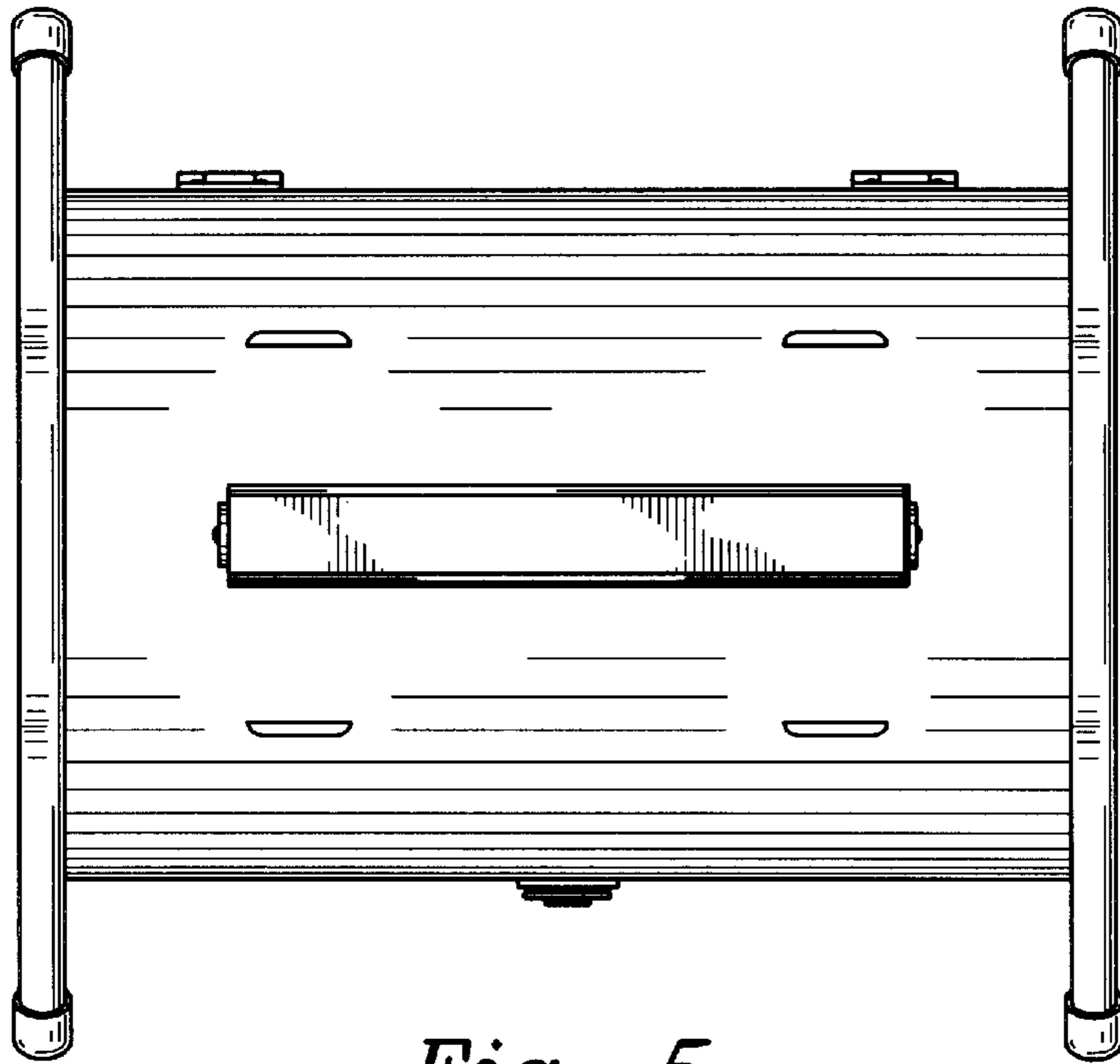


Fig. 5

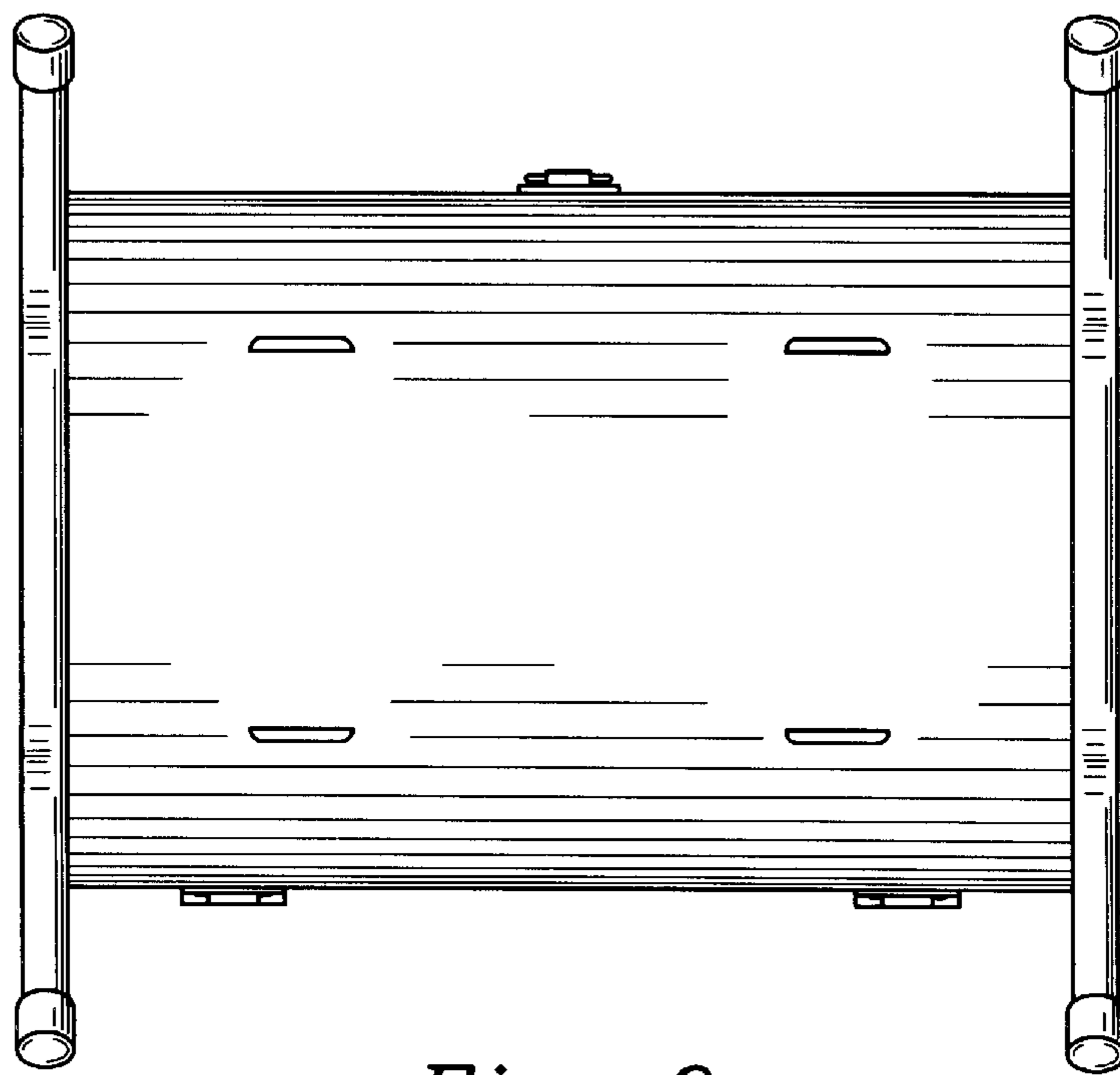


Fig. 6