



US00D481902S

(12) **United States Design Patent**
O'Connor et al.

(10) **Patent No.:** **US D481,902 S**

(45) **Date of Patent:** **** Nov. 11, 2003**

(54) **COFFEEMAKER**

(75) Inventors: **Christian E. O'Connor**, Weston, FL
(US); **Anthony D. Shoemaker**,
McKinney, TX (US)

(73) Assignee: **Sunbeam Products, Inc.**, Boca Raton,
FL (US)

(**) Term: **14 Years**

(21) Appl. No.: **29/181,671**

(22) Filed: **May 13, 2003**

(51) **LOC (7) Cl.** **07-01**

(52) **U.S. Cl.** **D7/309; D7/310; D7/311**

(58) **Field of Search** D7/300, 309, 310,
D7/311; 99/305, 306, 285, 289 R, 280,
292; 222/169, 108, 129.1-129.4

(56) **References Cited**

U.S. PATENT DOCUMENTS

D209,126 S * 10/1967 Martin D7/309
D239,758 S * 5/1976 Claxton et al. D7/309
D343,758 S * 2/1994 Beeren D7/309
D424,360 S * 5/2000 Schwarz et al. D7/309

D432,849 S * 10/2000 Brady et al. D7/309
D439,103 S * 3/2001 Cruz D7/309
D446,989 S * 8/2001 Cruz D7/309
D453,656 S * 2/2002 Byler et al. D7/309
D454,023 S * 3/2002 Wang D7/309
D457,375 S * 5/2002 Picozza et al. D7/309
D462,226 S * 9/2002 Williamson et al. D7/309

* cited by examiner

Primary Examiner—M. N. Pandozzi

(74) *Attorney, Agent, or Firm*—Lawrence J Shurupoff

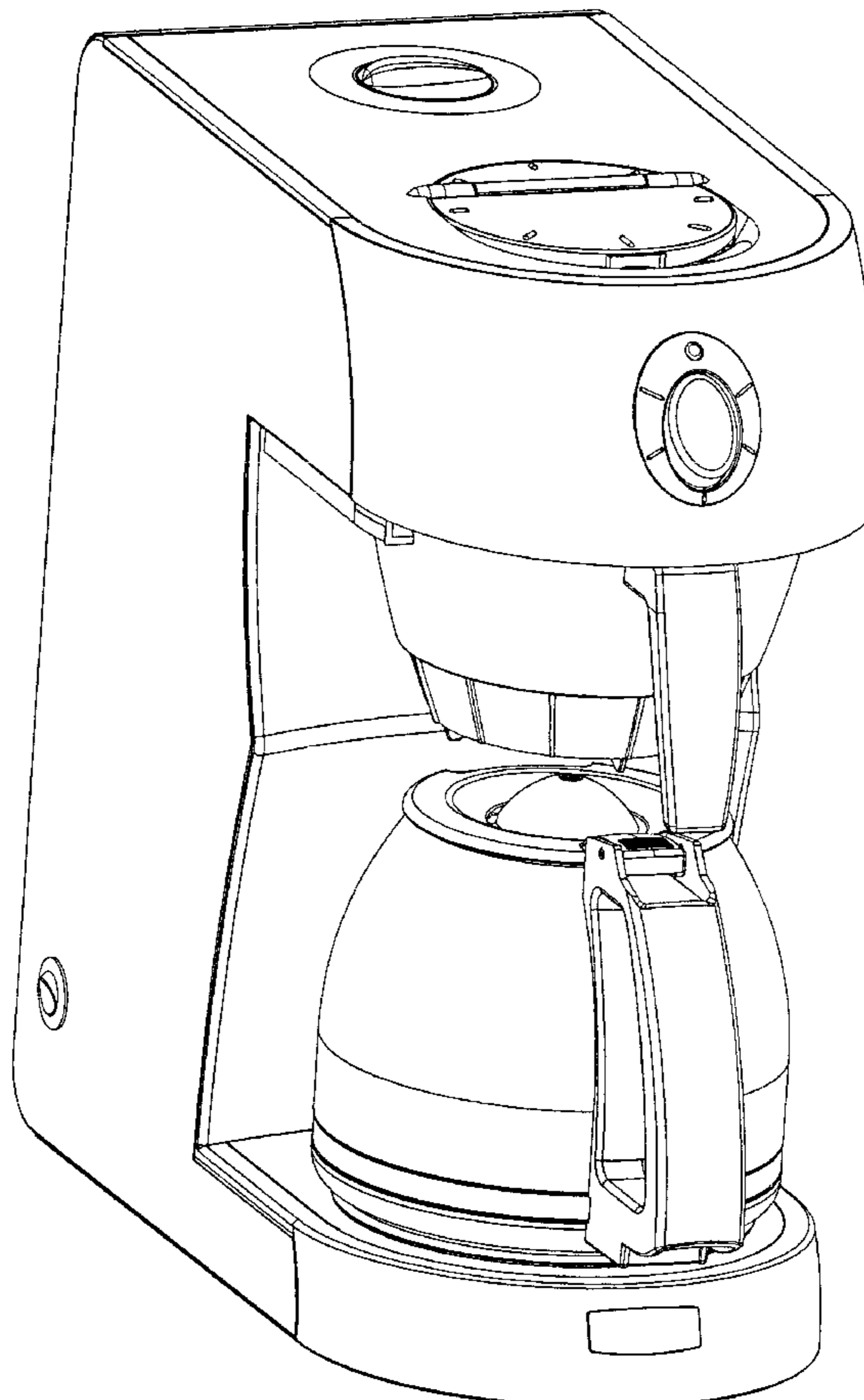
(57) **CLAIM**

The ornamental design for a coffeemaker, as shown and described.

DESCRIPTION

FIG. 1 is a right side elevational view thereof;
FIG. 2 is a left side elevational view thereof;
FIG. 3 is a top plan view thereof;
FIG. 4 is a bottom plan view thereof;
FIG. 5 is a rear elevational view thereof;
FIG. 6 is a front elevational view thereof; and,
FIG. 7 is a top left perspective view thereof.

1 Claim, 7 Drawing Sheets



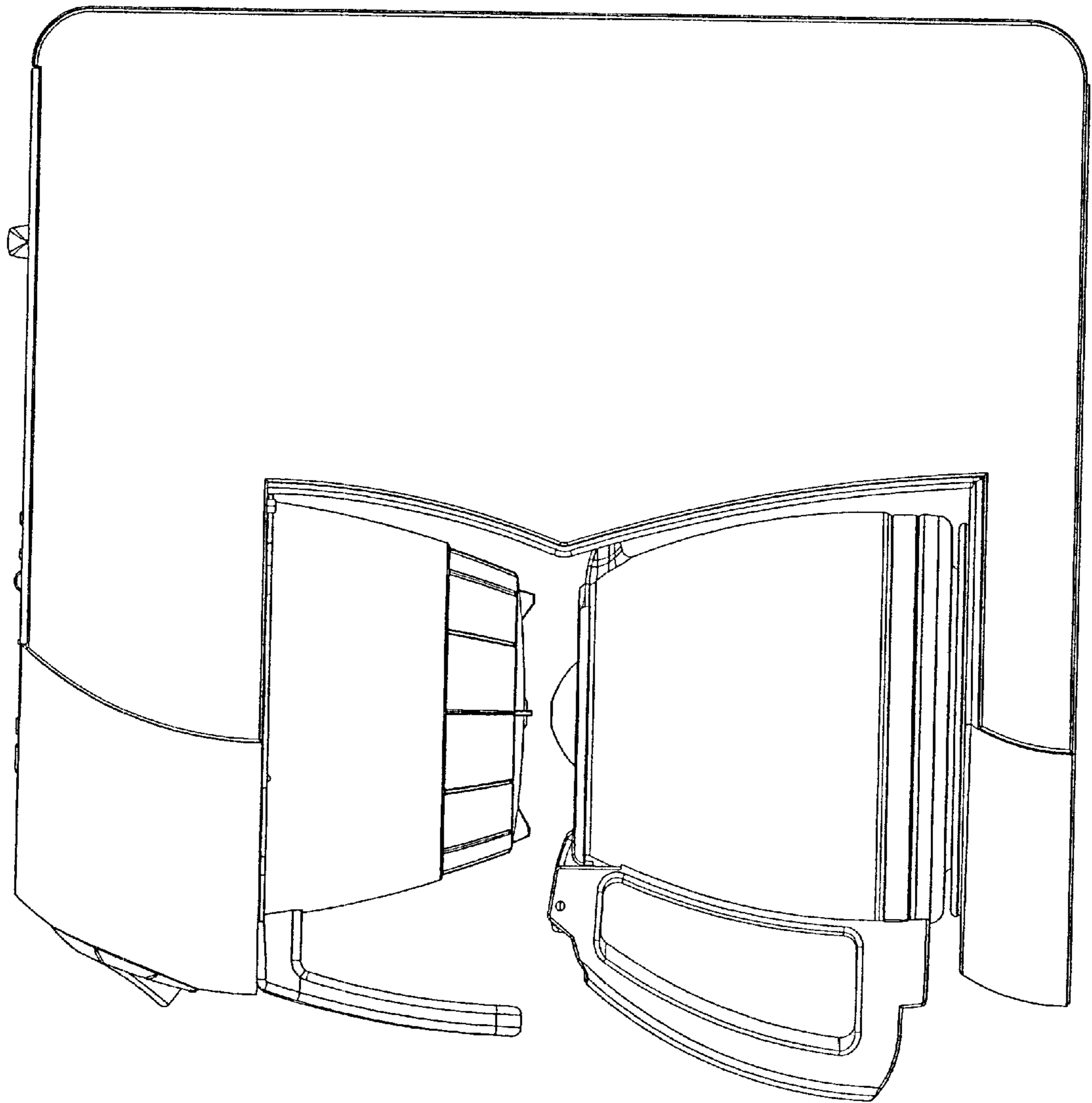


FIGURE 1

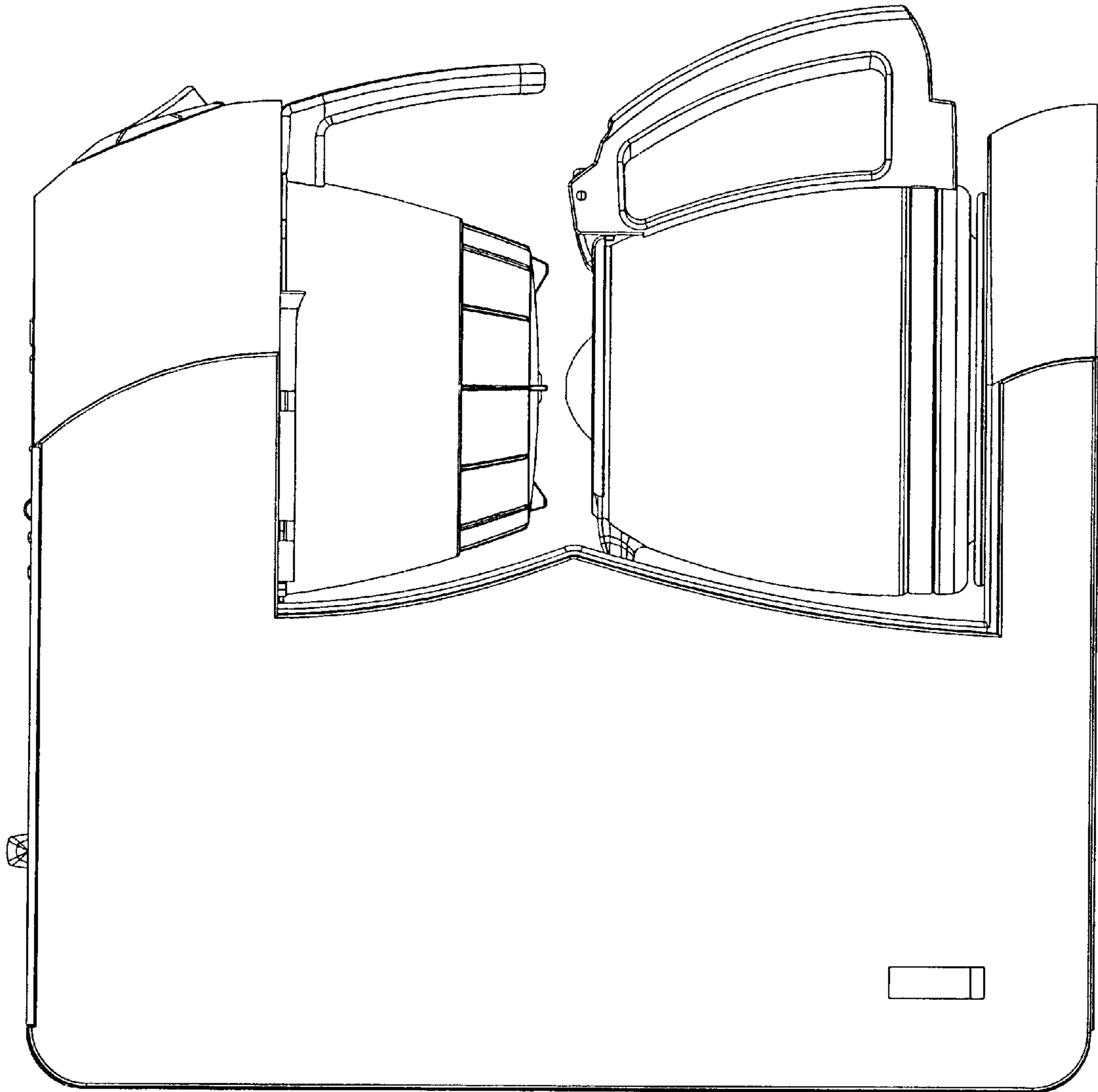


FIGURE 2

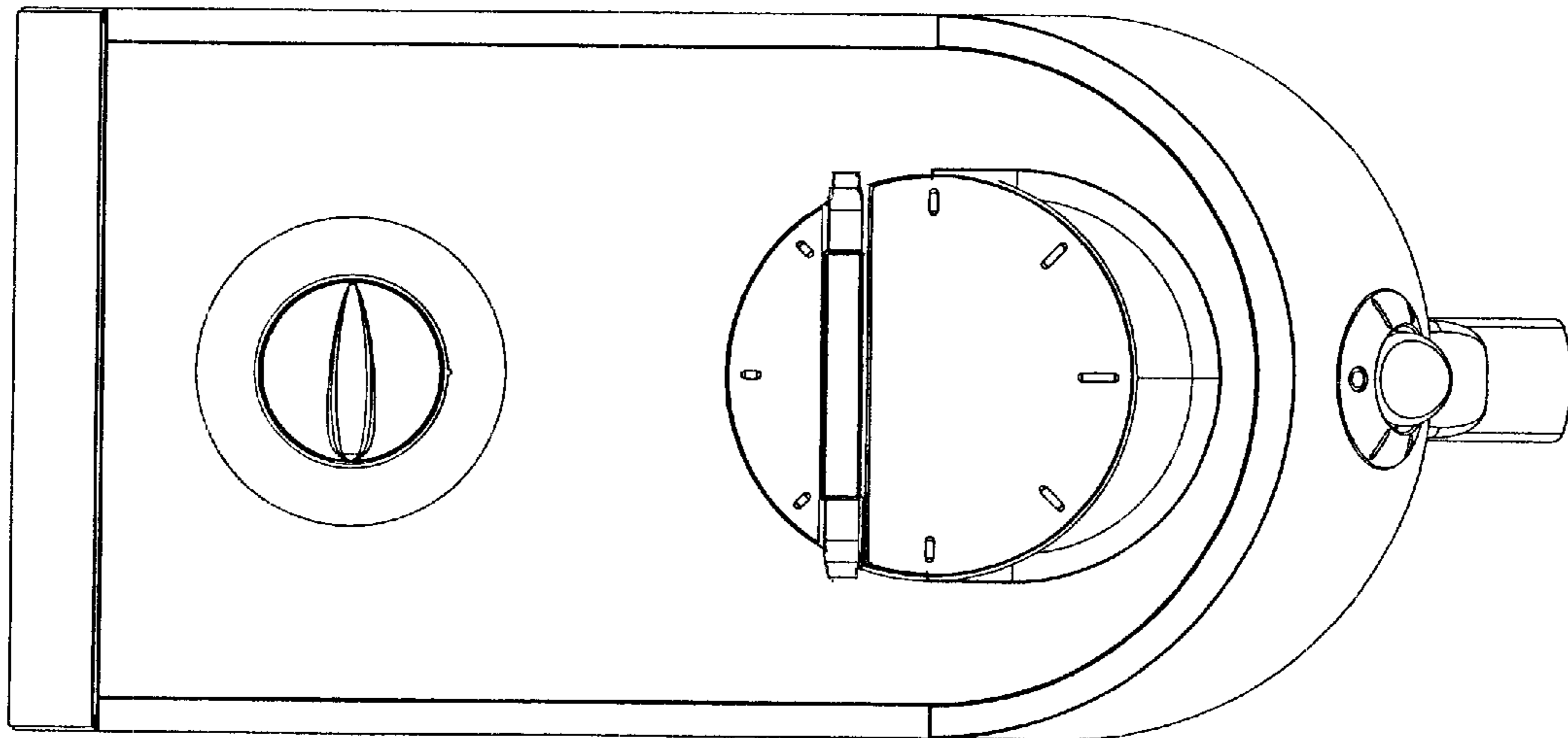


FIGURE 3

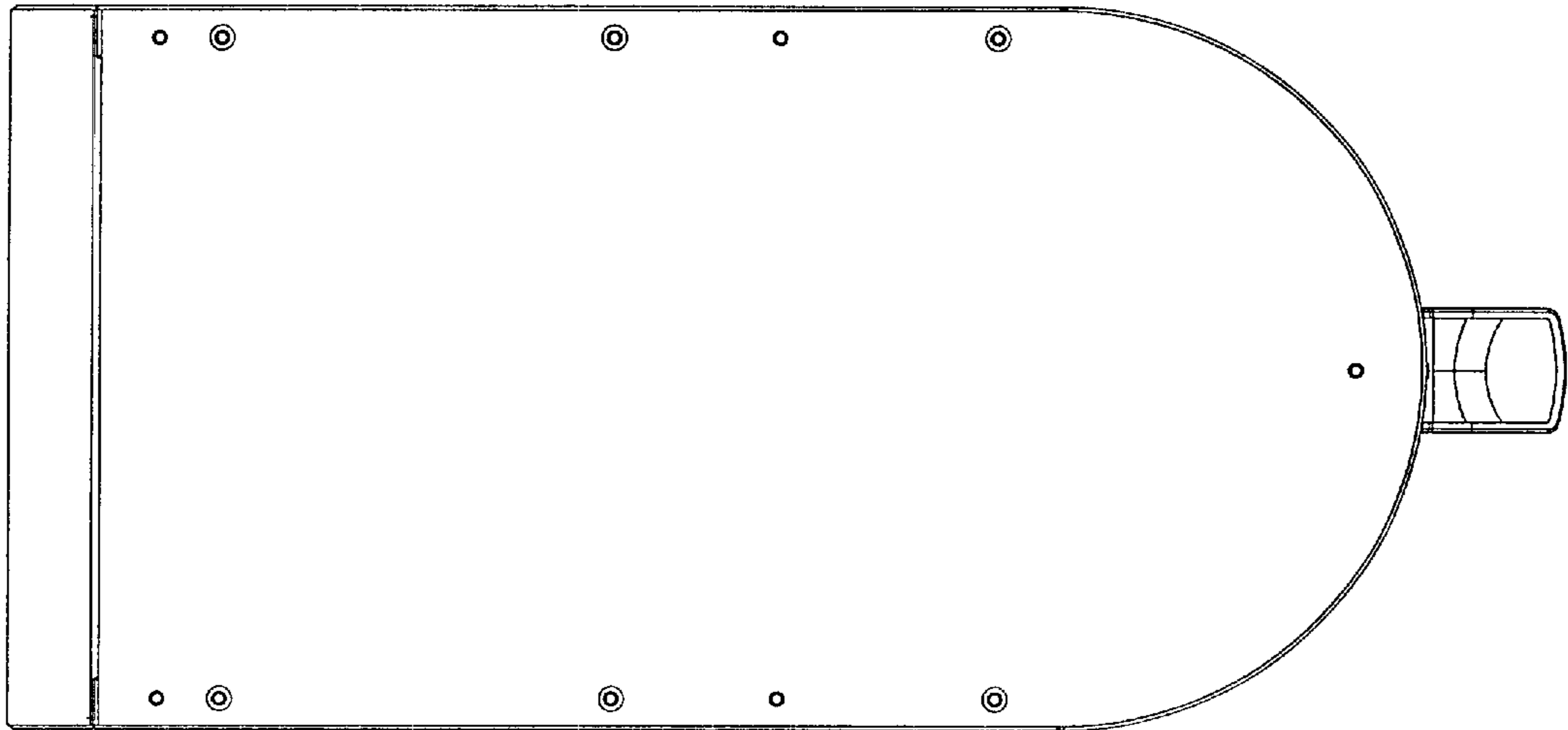


FIGURE 4

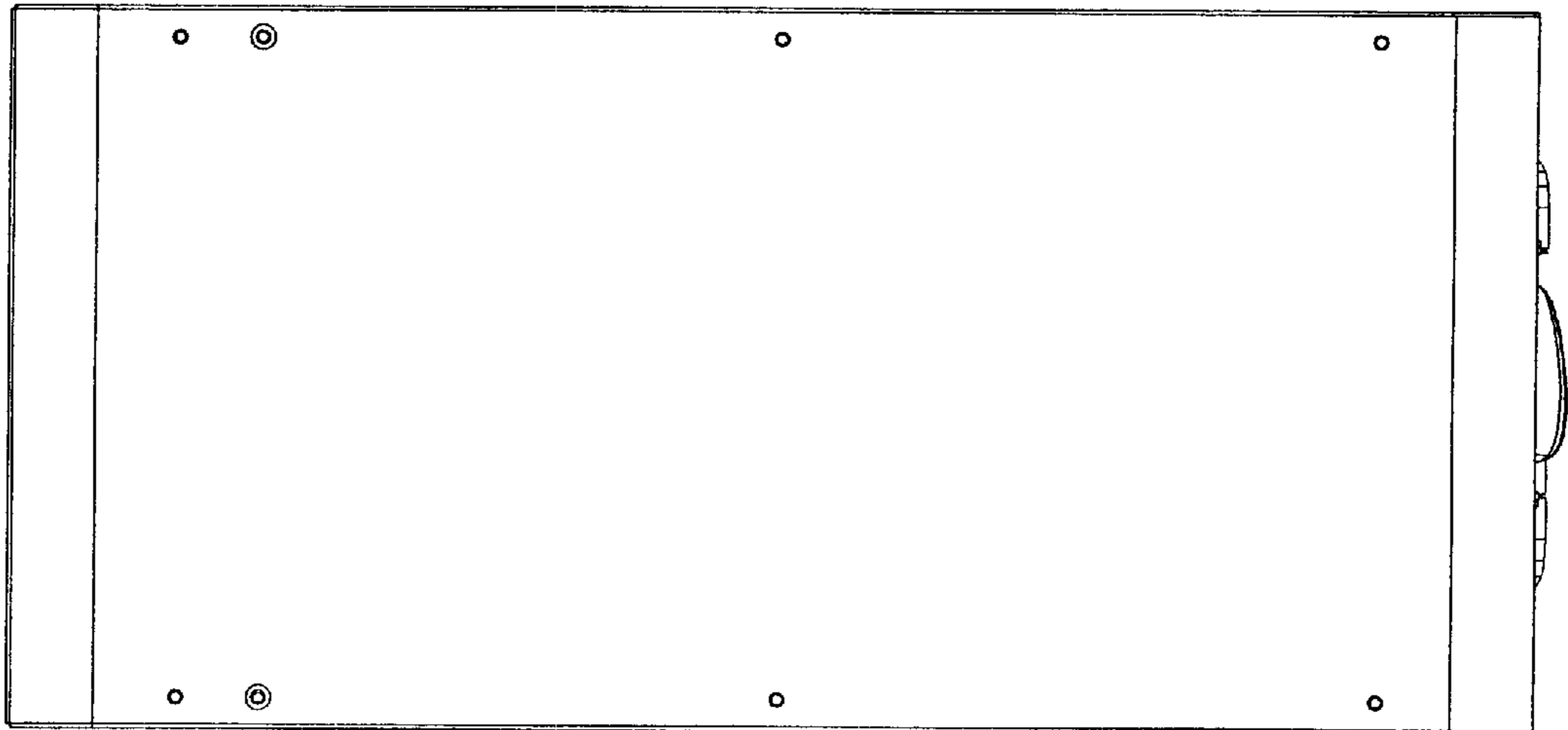


FIGURE 5

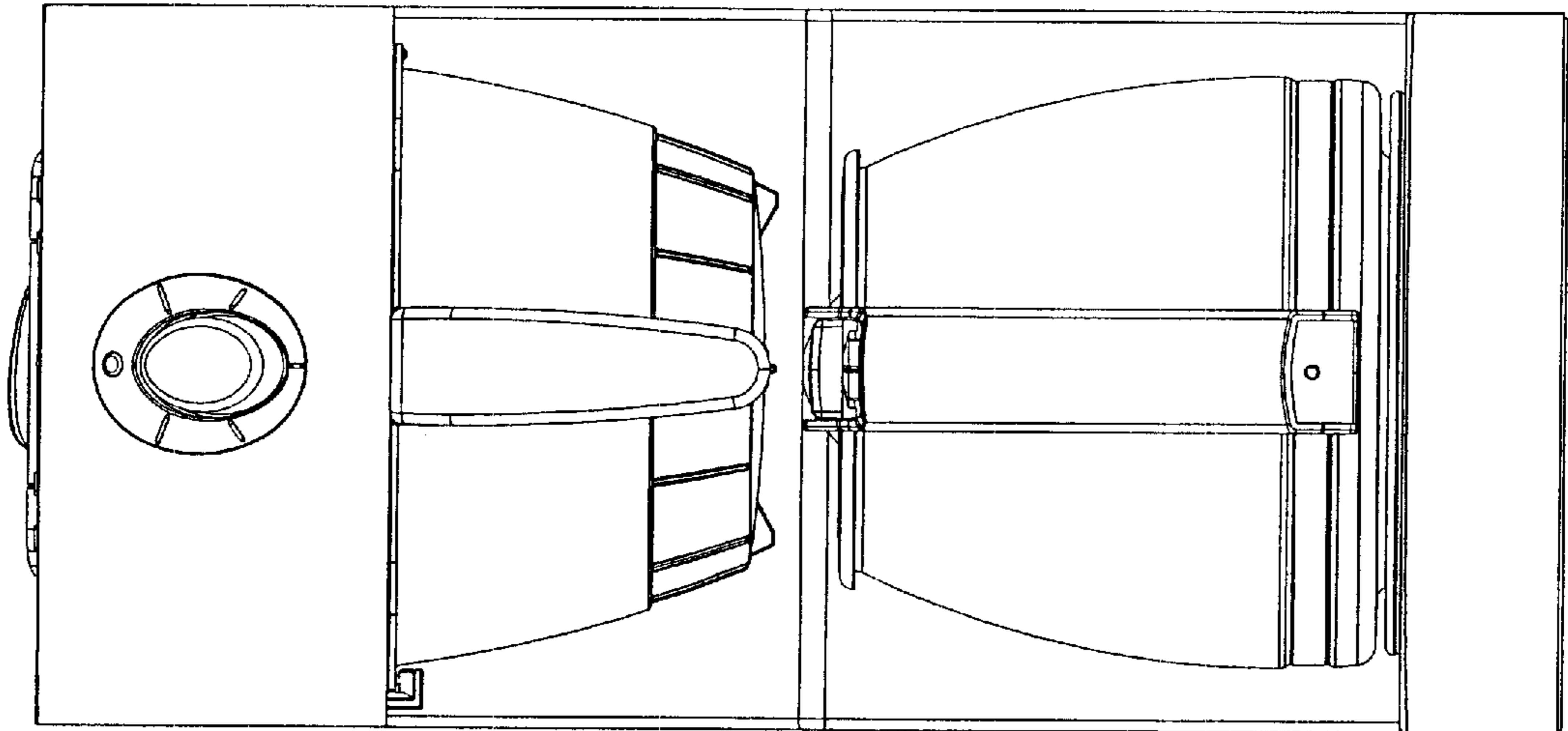


FIGURE 6

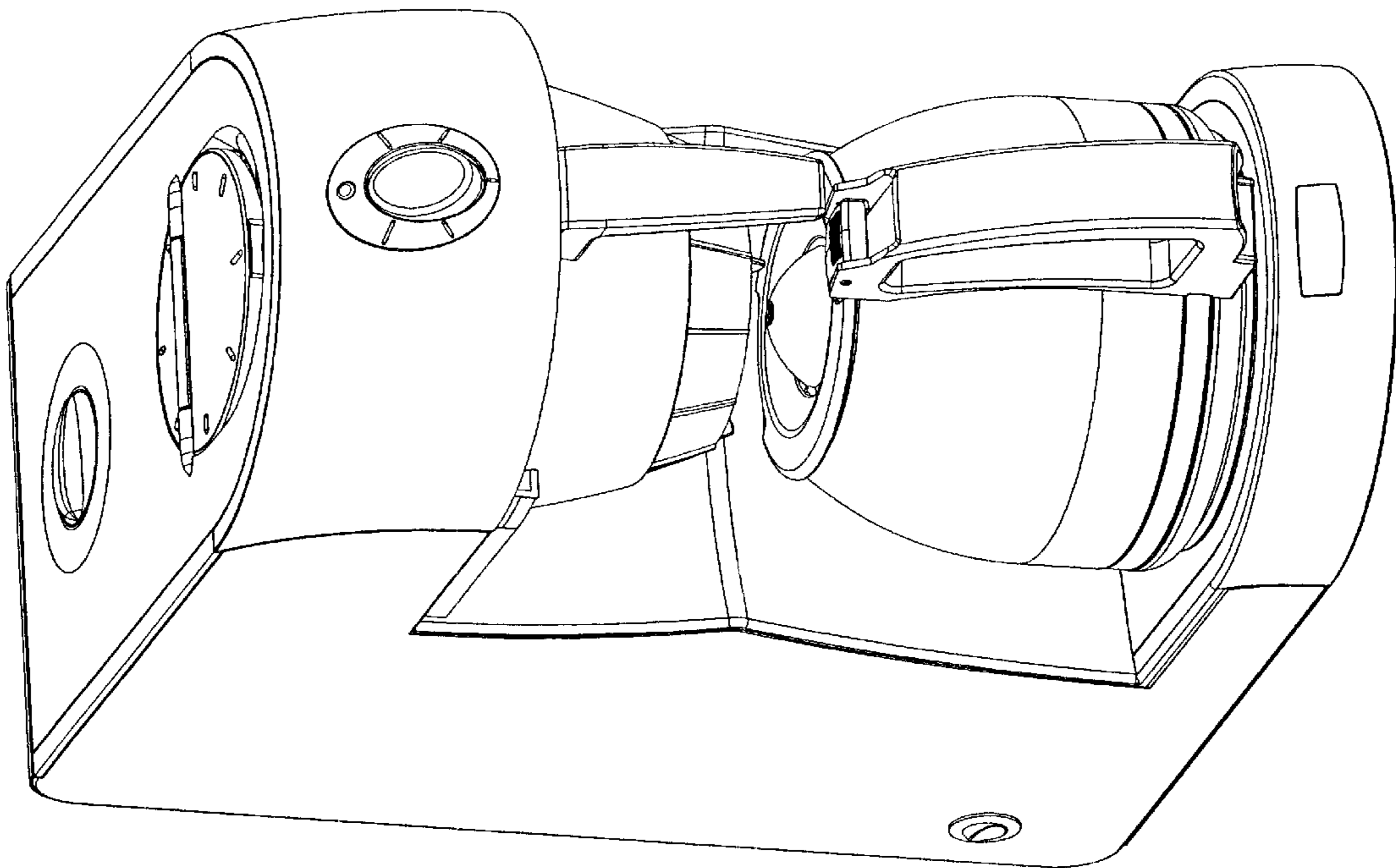


FIGURE 7