



US00D481897S

(12) **United States Design Patent** (10) **Patent No.:** **US D481,897 S**
Liu (45) **Date of Patent:** **** Nov. 11, 2003**

(54) **SPANNER RACK**

(76) Inventor: **Yung-Yuan Liu**, No. 9, Lane 1397,
Guangshing Rd., Taiping City, Taichung
(TW)

(**) Term: **14 Years**

(21) Appl. No.: **29/163,712**

(22) Filed: **Jul. 10, 2002**

(51) **LOC (7) Cl.** **06-04**

(52) **U.S. Cl.** **D6/570**

(58) **Field of Search** D6/512-514, 553,
D6/567, 552, 569, 570; 206/207, 349, 372,
376, 377, 378; 211/70.6

(56) **References Cited**

U.S. PATENT DOCUMENTS

3,370,696 A	*	2/1968	Groe	206/376 X
D315,746 S	*	3/1991	Christensen	D19/90
D356,462 S	*	3/1995	Ko	D6/570

* cited by examiner

Primary Examiner—Brian N. Vinson

(74) *Attorney, Agent, or Firm*—Alan D. Kamrath; Rider
Bennett, LLP

(57) **CLAIM**

The ornamental design for a spanner rack, as shown and
described.

DESCRIPTION

FIG. 1 is a perspective view of a spanner rack showing my
new design;

FIG. 2 is a front elevational view thereof;

FIG. 3 is a rear elevational view thereof;

FIG. 4 is a left side elevational view thereof;

FIG. 5 is a right side elevational view thereof;

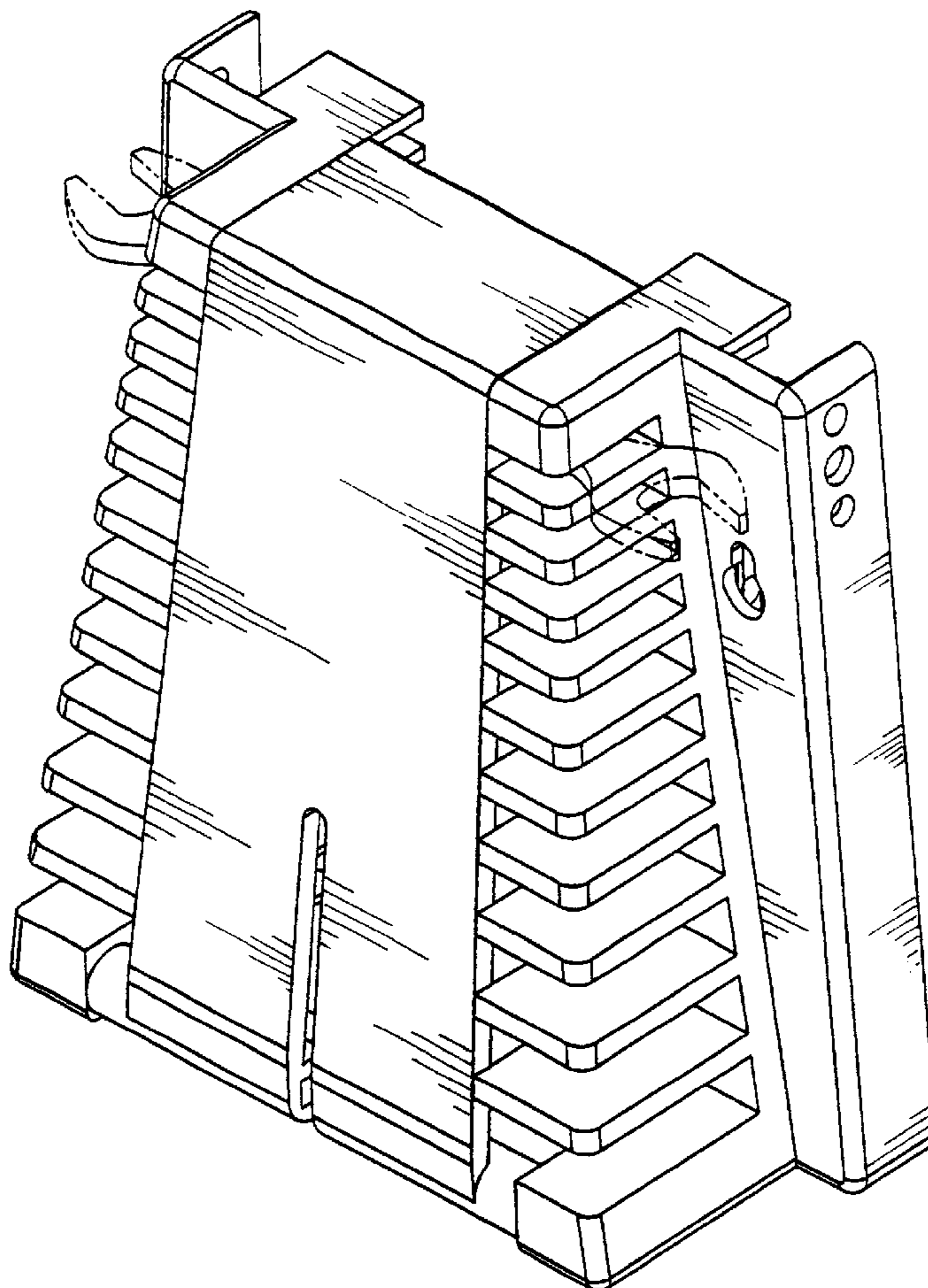
FIG. 6 is a top plan view thereof;

FIG. 7 is a bottom plan view thereof;

FIG. 8 is a perspective view of the spanner rack of my new
design, the broken line drawing of the interior of the spanner
rack is for illustrative purpose only and forms no part of the
claimed design; and,

FIG. 9 is another perspective view of the spanner rack of my
new design, the broken line drawing of the spanner is for
illustrate purpose only and forms no part of the claim design.

1 Claim, 9 Drawing Sheets



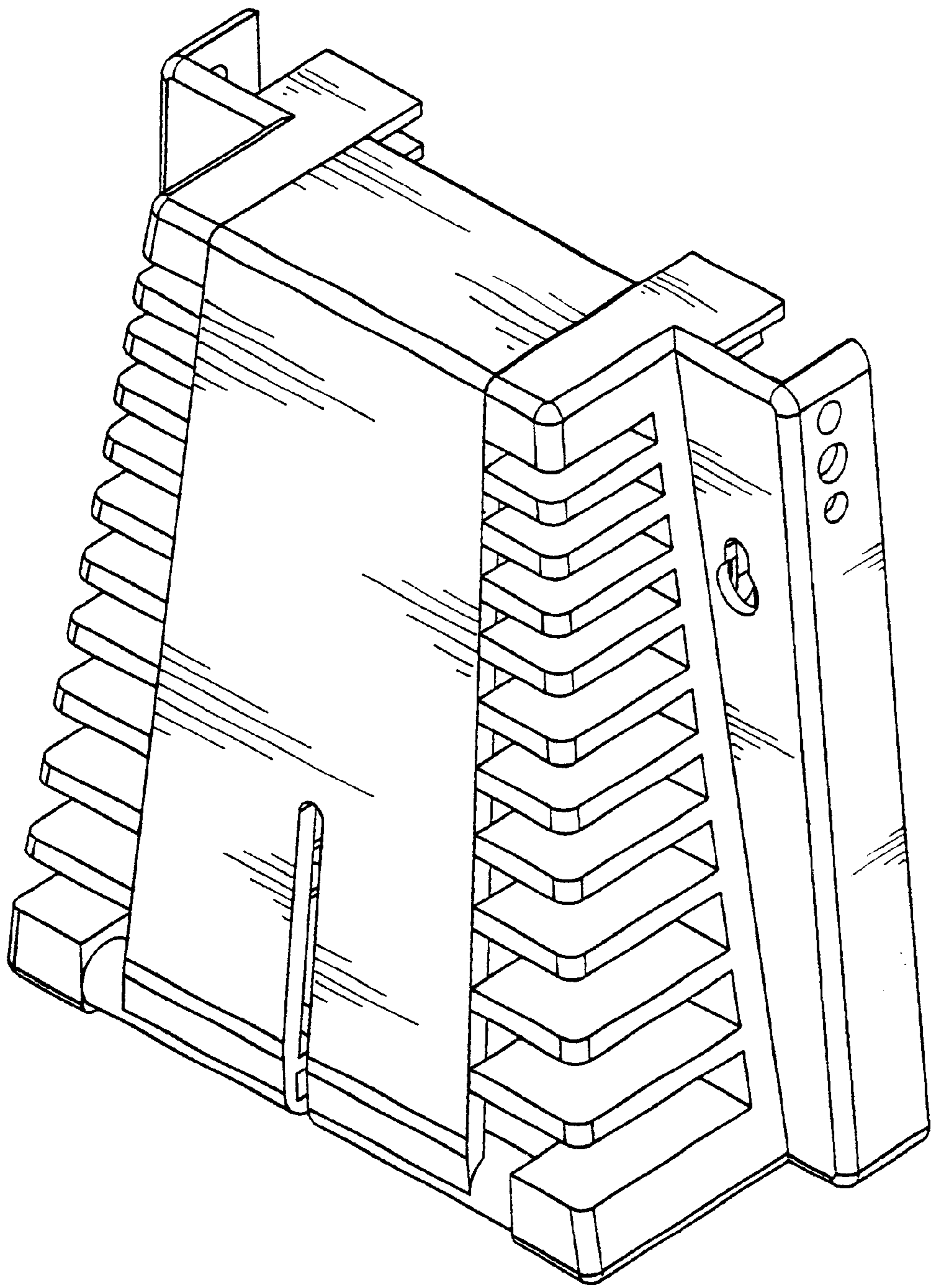


FIG.1

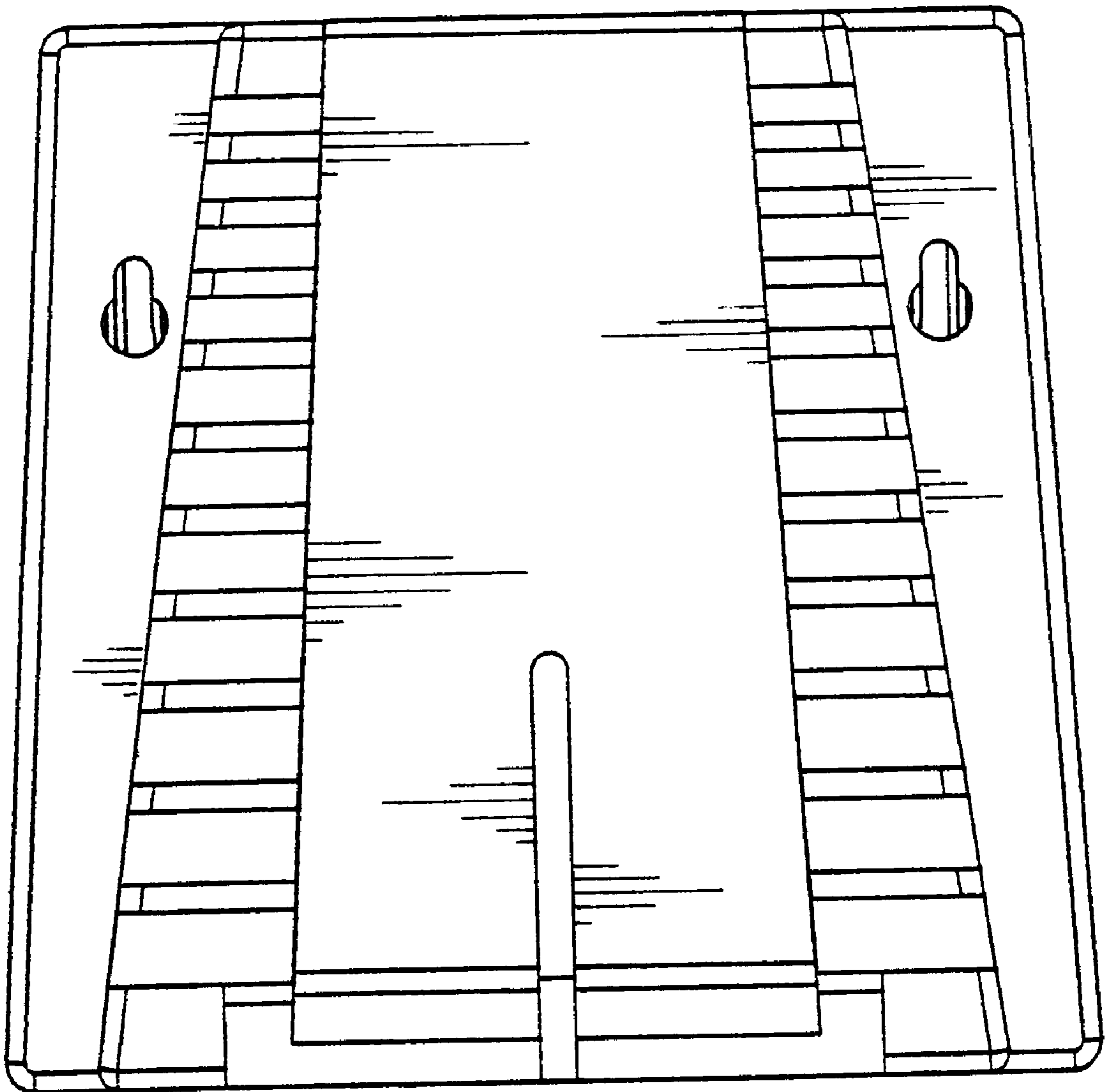


FIG.2

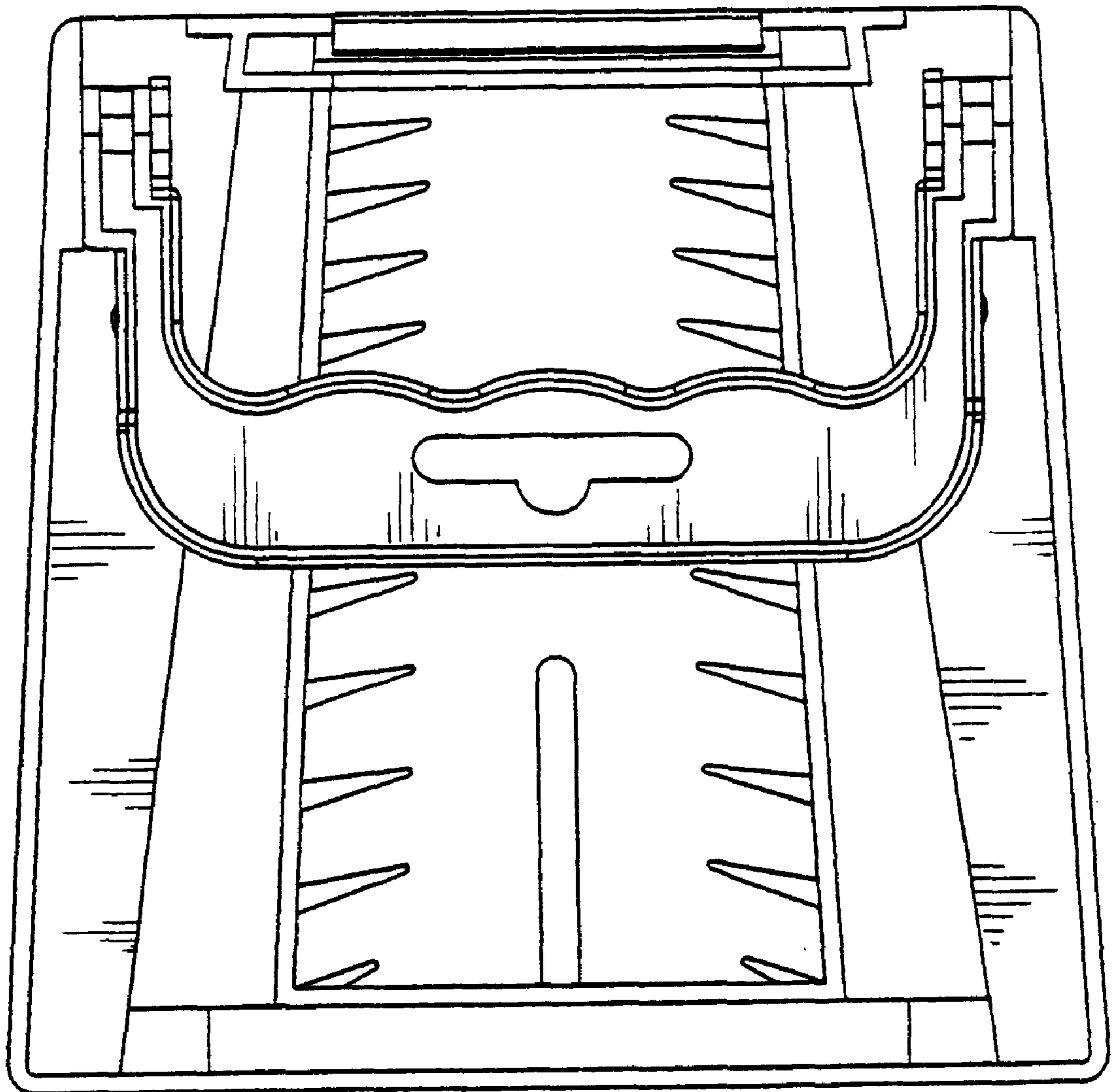


FIG.3

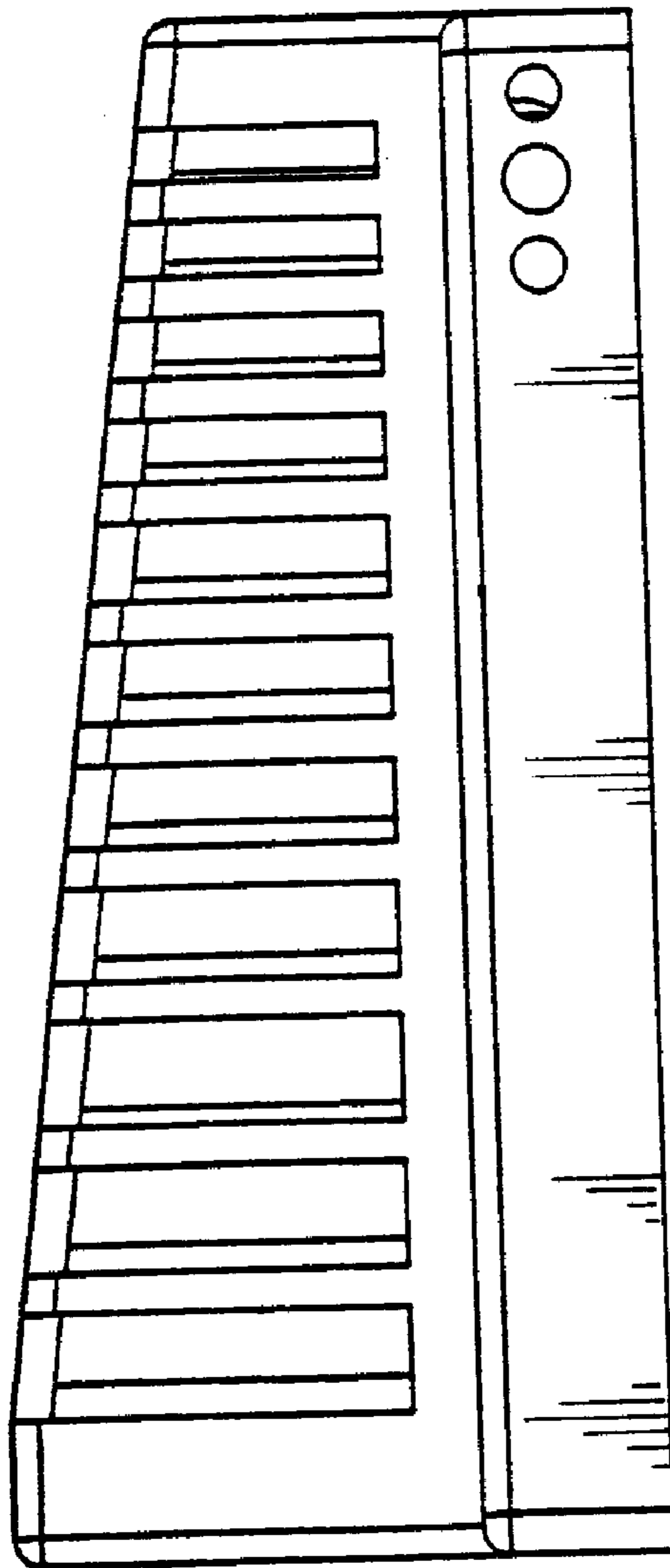


FIG.4

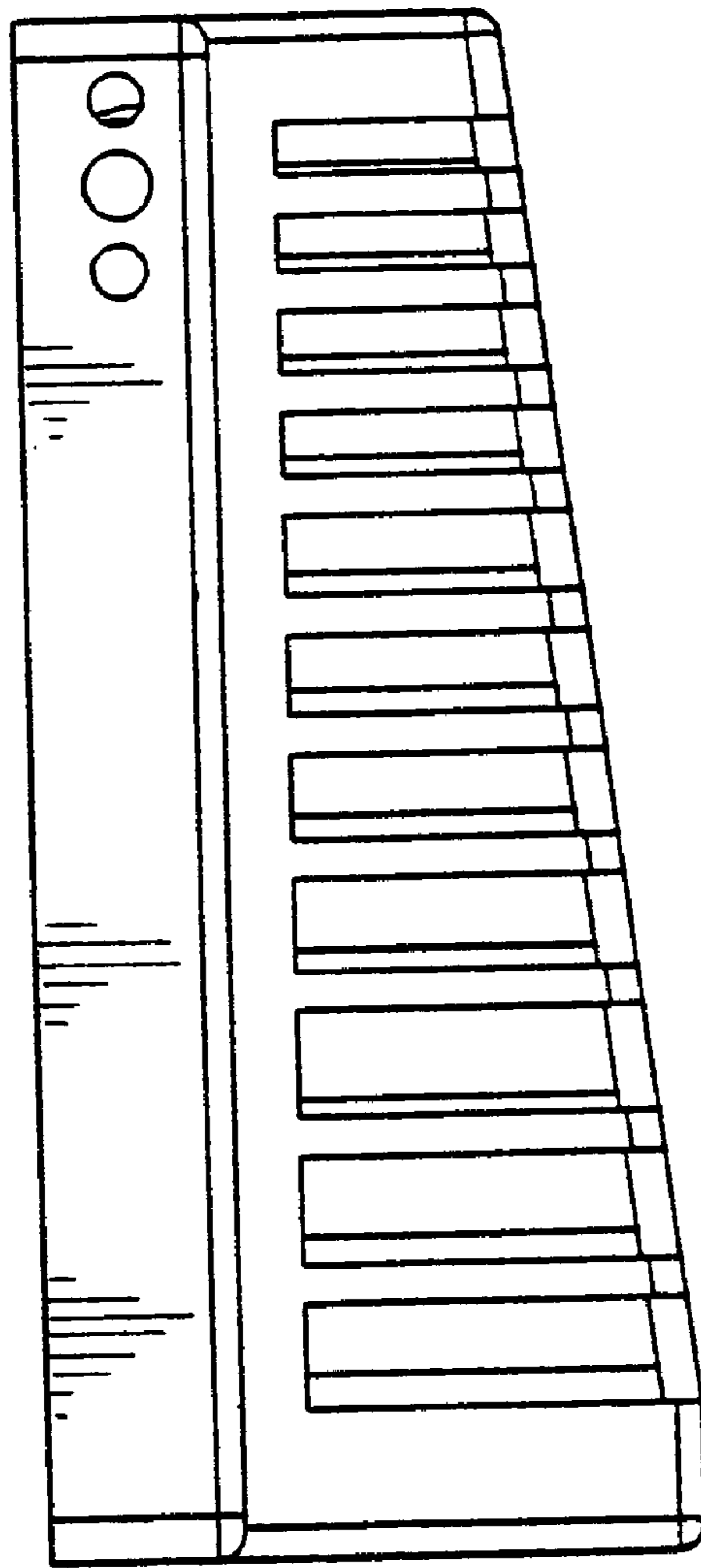


FIG.5

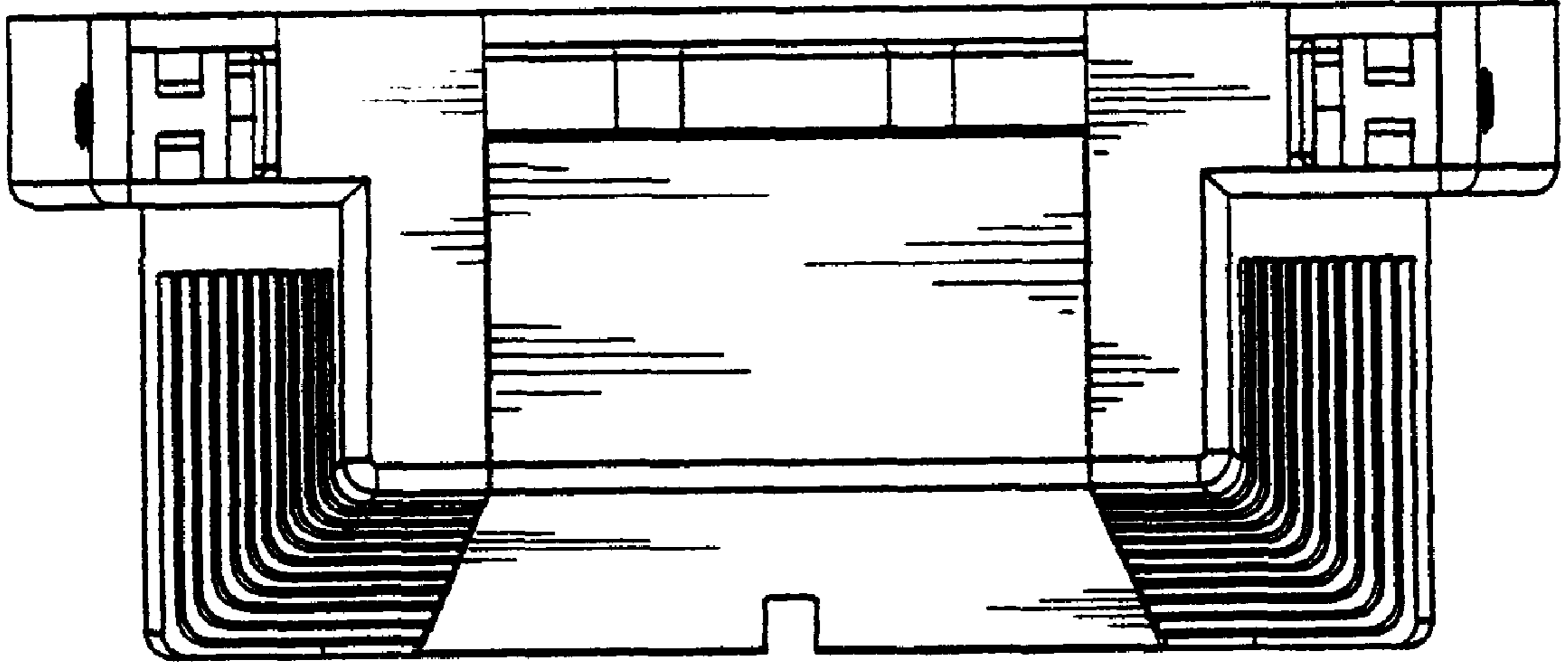


FIG.6

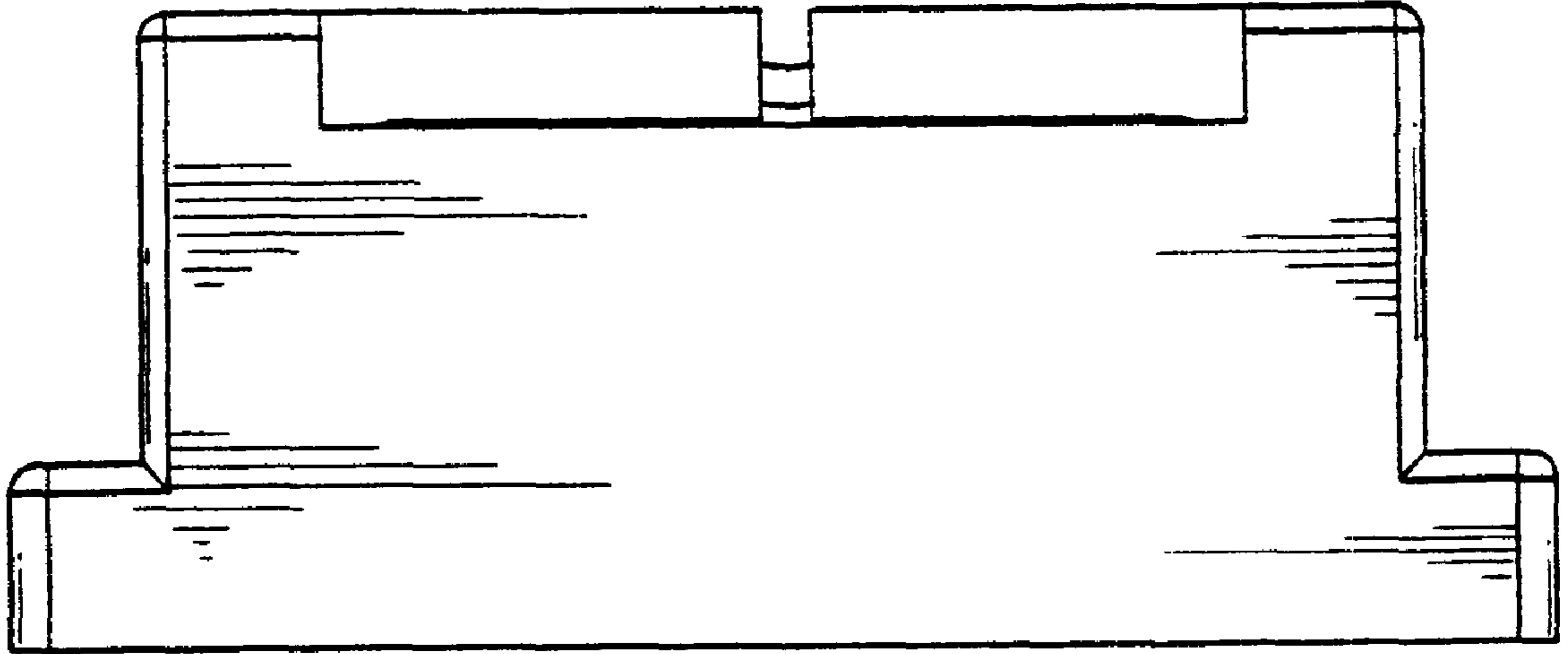


FIG.7

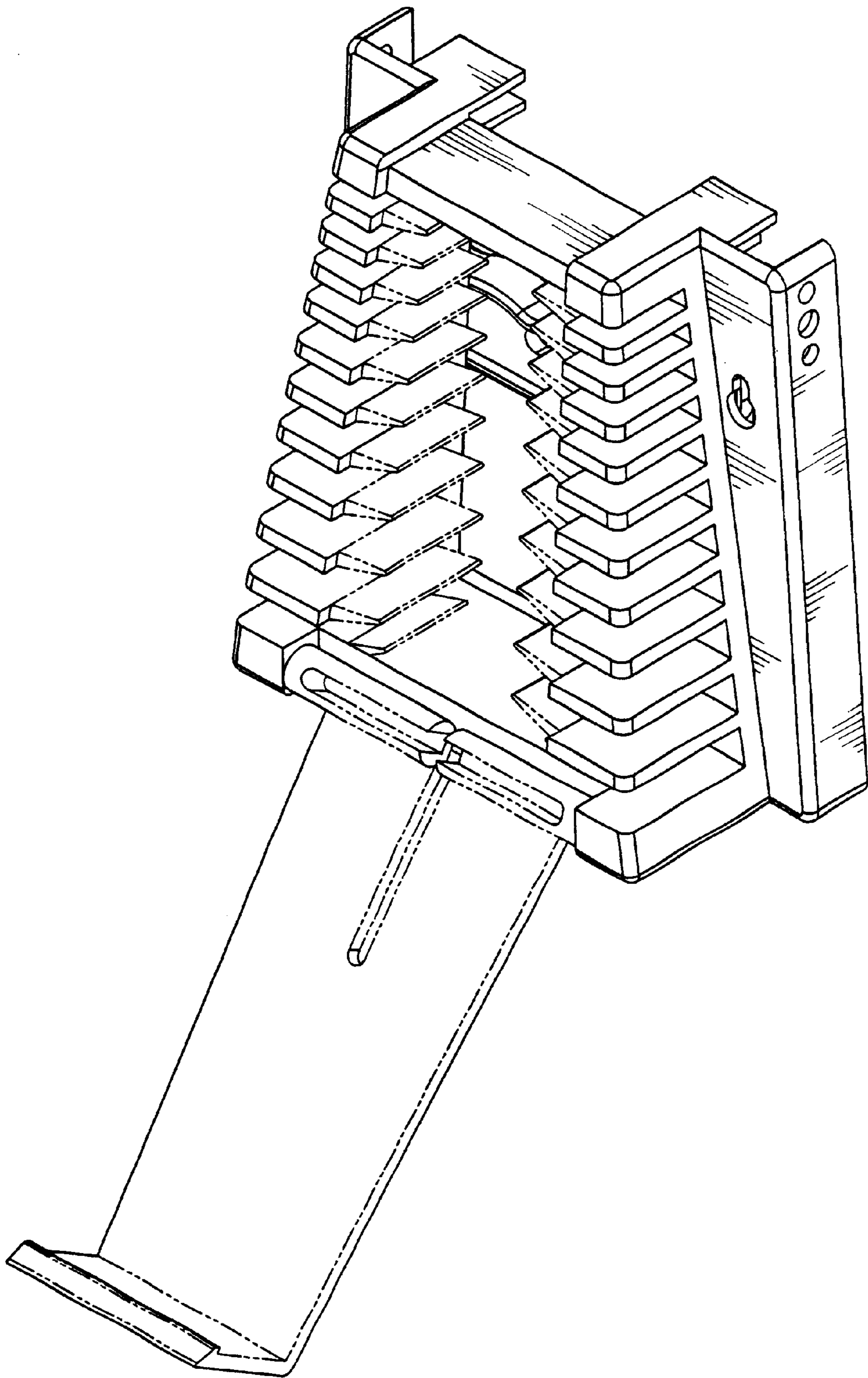


FIG.8

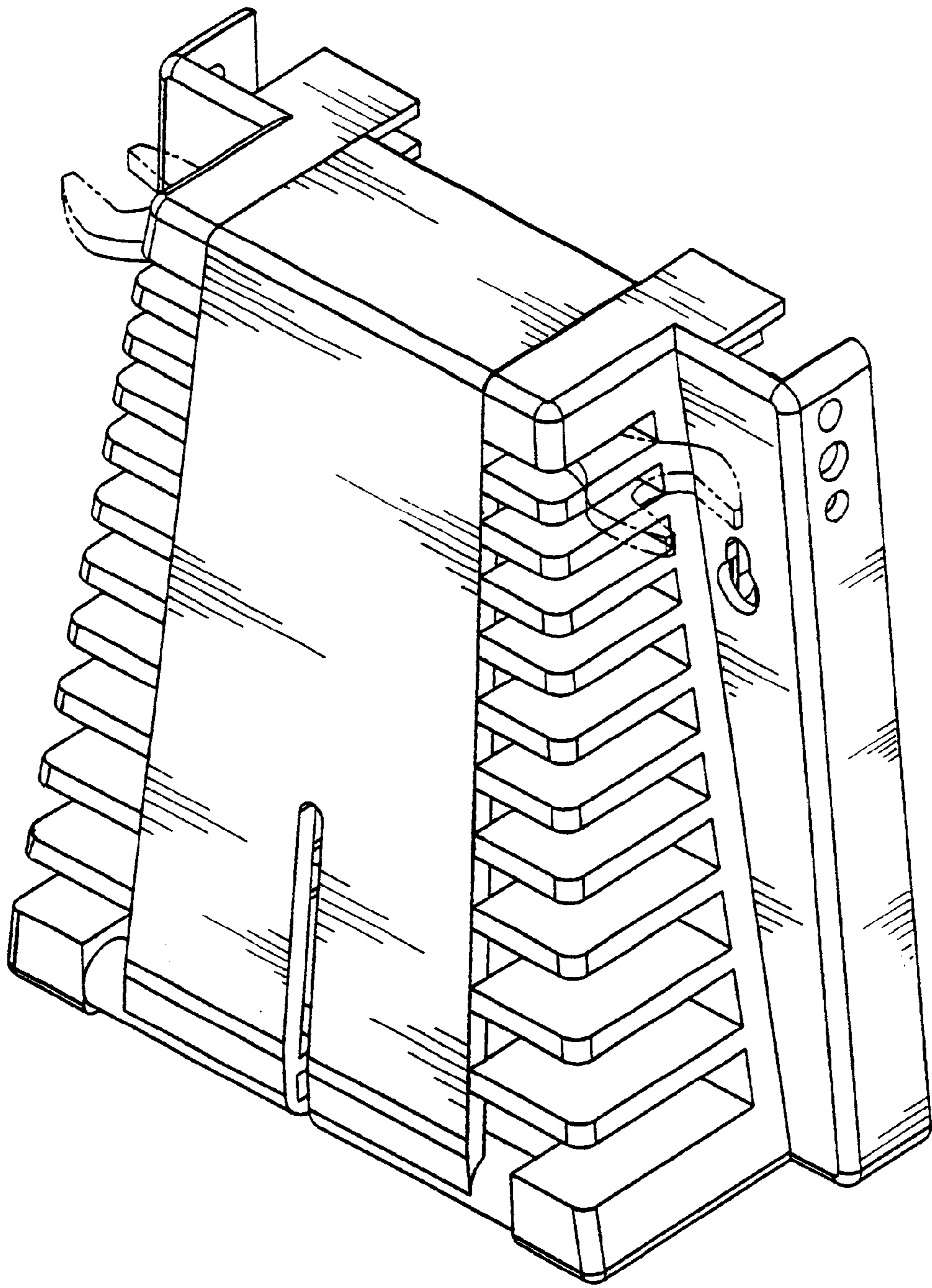


FIG.9