



US00D481896S

(12) **United States Design Patent**  
**Shaanan**

(10) **Patent No.:** **US D481,896 S**

(45) **Date of Patent:** **\*\* Nov. 11, 2003**

(54) **WALL MOUNTED LIQUID DISPENSER**

(75) **Inventor:** **Gad Shaanan, Westmount (CA)**

(73) **Assignee:** **Better Living Products International Inc., London (CA)**

(\*\*) **Term:** **14 Years**

(21) **Appl. No.:** **29/142,872**

(22) **Filed:** **Jun. 5, 2001**

(51) **LOC (7) Cl.** ..... **23-02**

(52) **U.S. Cl.** ..... **D6/545**

(58) **Field of Search** ..... D6/542-545; 222/105,  
222/273, 180, 181.1, 630; 221/282-283,  
287

(56) **References Cited**

**U.S. PATENT DOCUMENTS**

- D168,593 S \* 1/1953 Ponder ..... D6/545
- D243,135 S \* 1/1977 Moritz ..... D6/545
- D293,402 S \* 12/1987 Petterson ..... D6/545

- D393,975 S \* 5/1998 Bunschoten et al. .... D6/545
- D398,800 S \* 9/1998 Phillips et al. .... D6/545
- D416,418 S \* 11/1999 Kampe et al. .... D6/545
- D443,782 S \* 6/2001 Kauzlarich et al. .... D6/545

\* cited by examiner

*Primary Examiner*—Brian N. Vinson

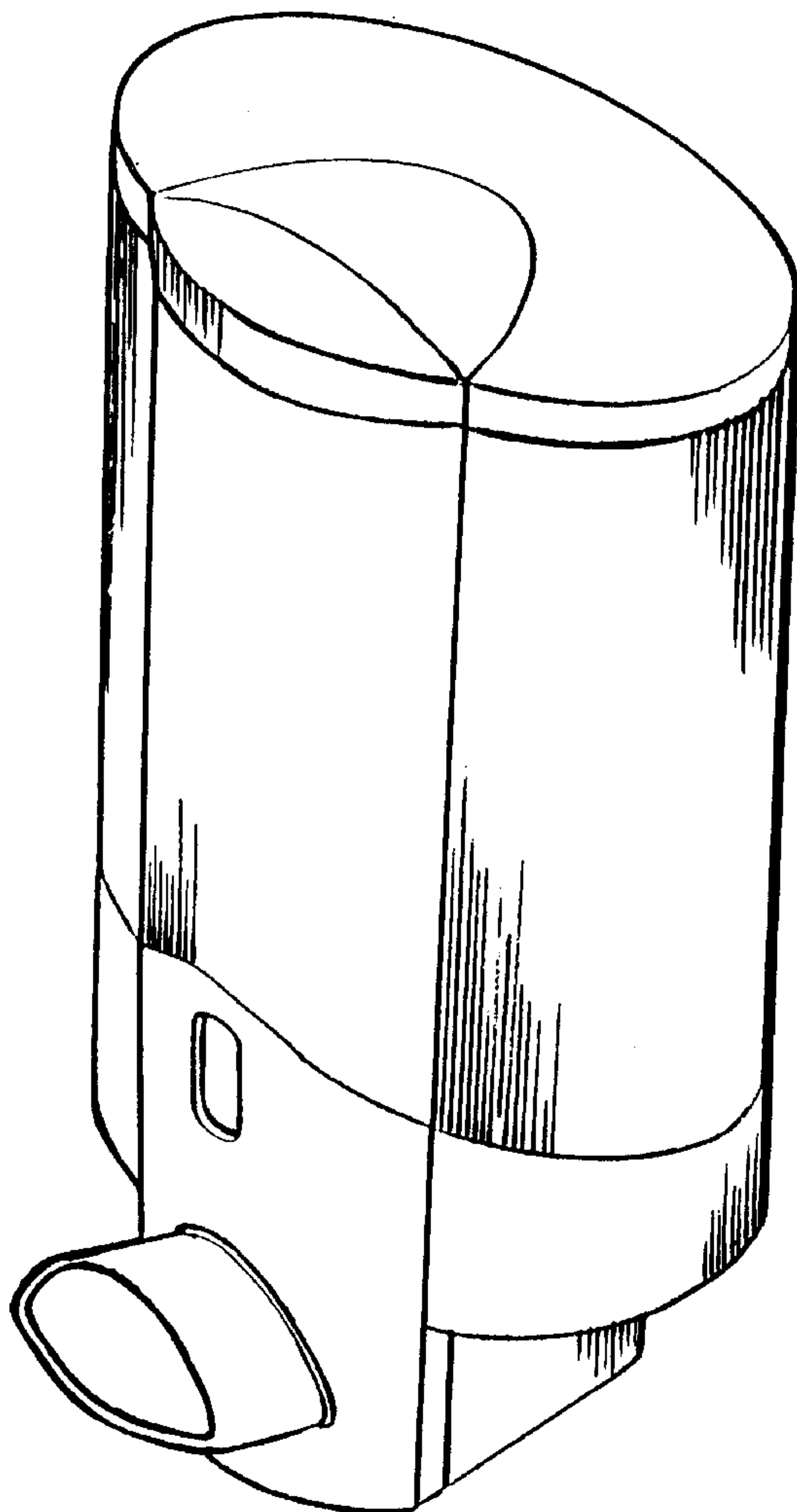
(57) **CLAIM**

The ornamental design for a wall mounted liquid dispenser, as shown.

**DESCRIPTION**

The claimed wall mounted liquid dispenser is used to store liquid with a button for dispensing the liquid. FIG. 1 is a view of a wall mounted liquid dispenser showing my new design; FIG. 2 is a front perspective view thereof; FIG. 3 is a side perspective view thereof; FIG. 4 is a top perspective view thereof; and, FIG. 5 is a bottom perspective view thereof.

**1 Claim, 5 Drawing Sheets**



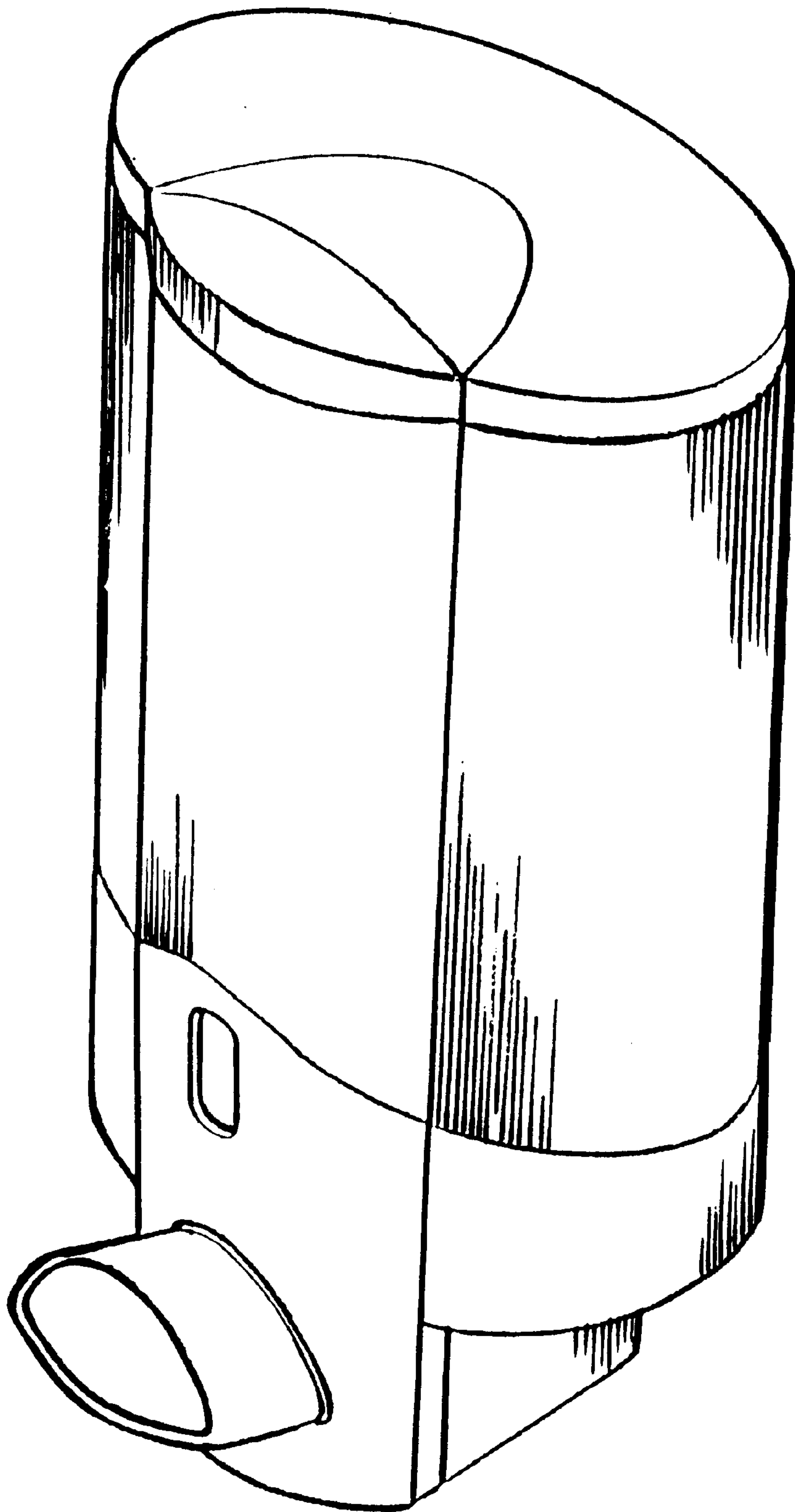


FIG. 1

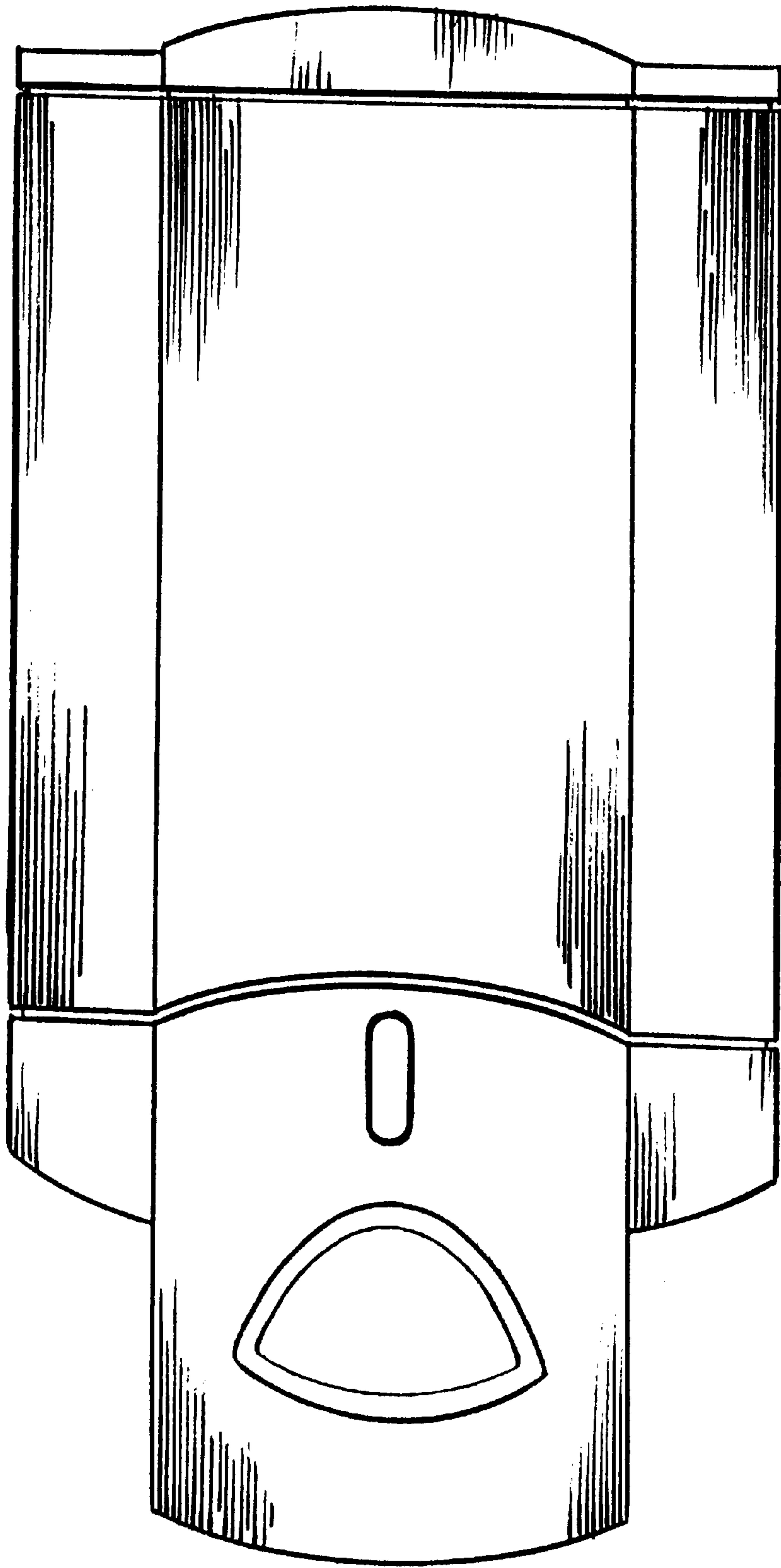


FIG. 2

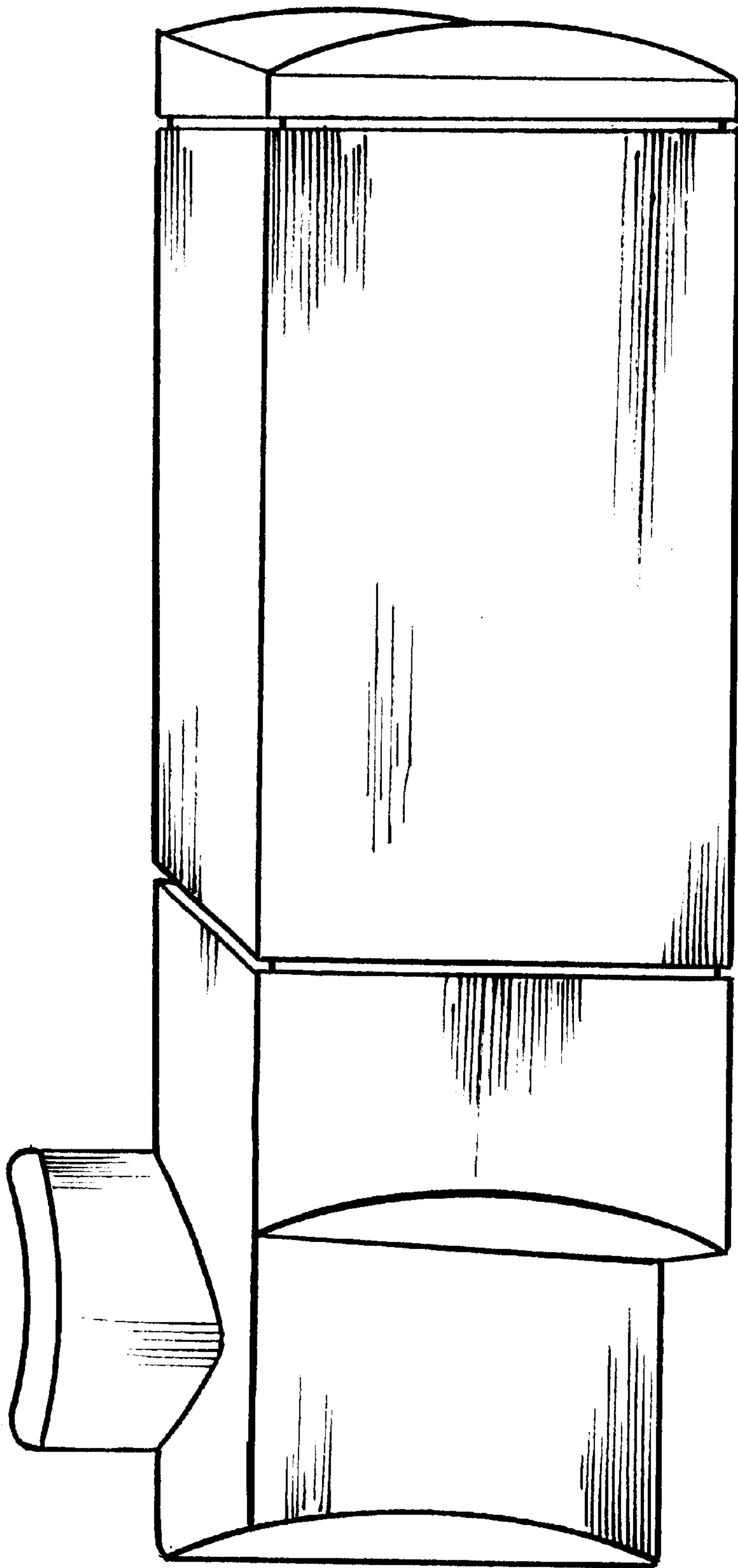


FIG. 3

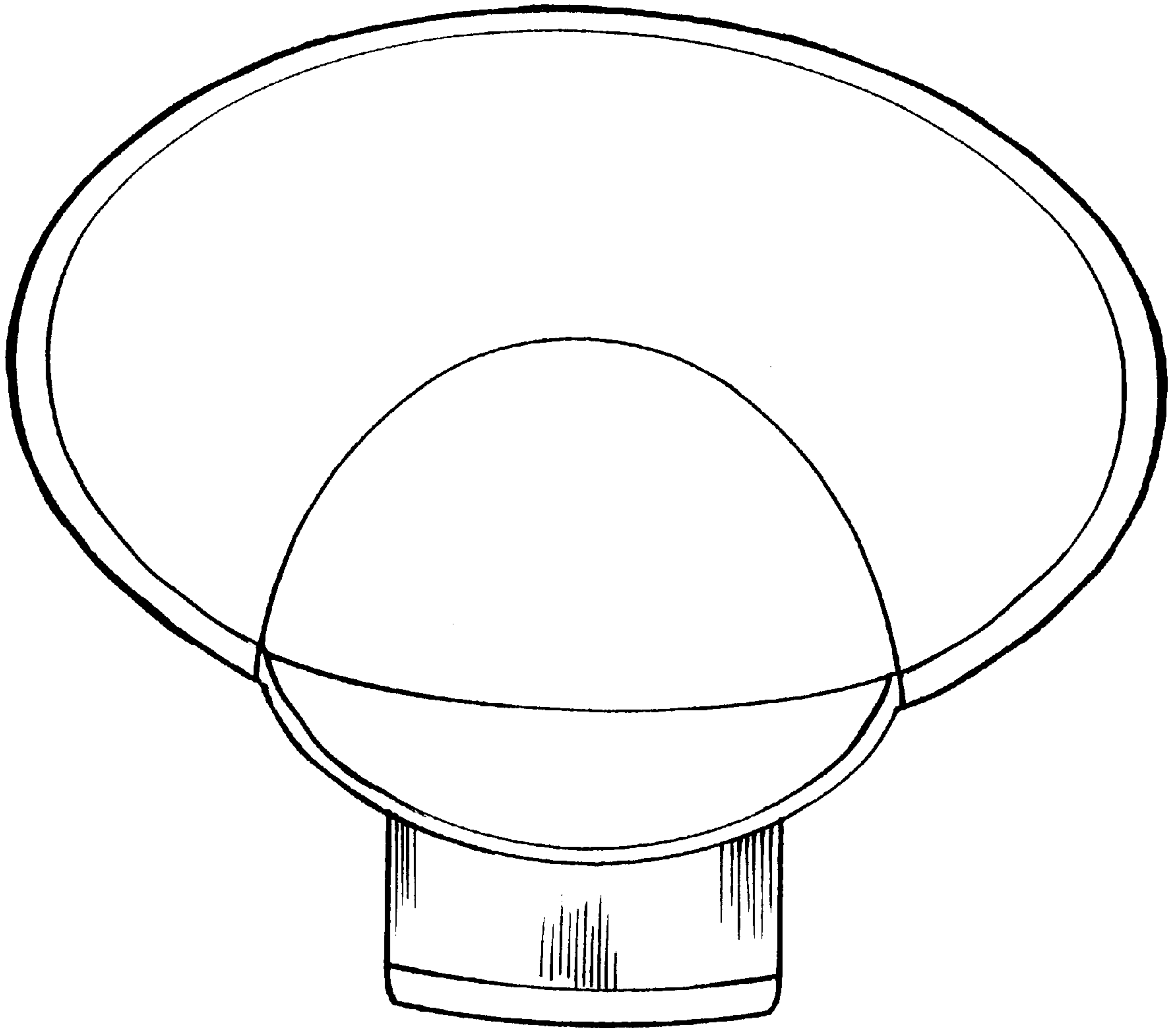


FIG. 4

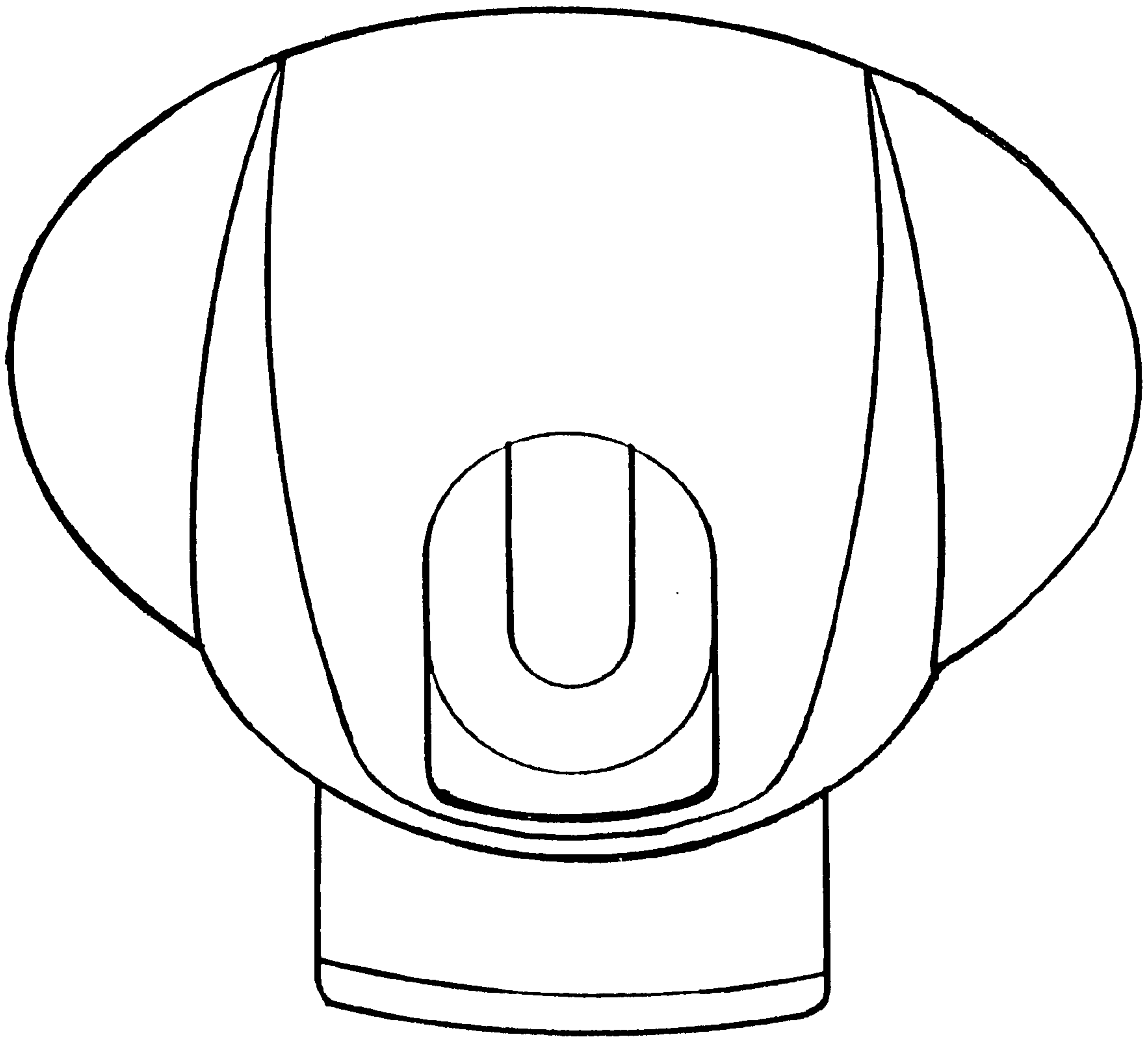


FIG. 5