



US00D481889S

(12) **United States Design Patent**  
**Ciabatti**

(10) **Patent No.:** **US D481,889 S**

(45) **Date of Patent:** **\*\* Nov. 11, 2003**

(54) **TABLE**

(75) **Inventor:** **Aldo Ciabatti, Rome (IT)**

(73) **Assignee:** **EMU Group S.p.A., Marsciano (IT)**

(\*\*) **Term:** **14 Years**

(21) **Appl. No.:** **29/163,131**

(22) **Filed:** **Jun. 28, 2002**

**Related U.S. Application Data**

(62) **Division of application No. 29/136,669, filed on Feb. 5, 2001.**

(30) **Foreign Application Priority Data**

Aug. 7, 2000 (WO) ..... DM/053 291

(51) **LOC (7) Cl. .... 06-06**

(52) **U.S. Cl. .... D6/498**

(58) **Field of Search** ..... D6/480-489, 429-431,  
D6/495, 499, 498; 108/150, 4, 124, 153.1,  
155, 156, 157.1, 161, 125, 126; 248/188,  
188.1

(56) **References Cited**

**U.S. PATENT DOCUMENTS**

D164,295 S \* 8/1951 Gierlich ..... D6/486

D325,140 S \* 4/1992 Sottsass et al. .... D6/487  
5,121,697 A \* 6/1992 Baum et al. .... 108/124  
D361,229 S \* 8/1995 Laske ..... D6/486  
D463,686 S \* 10/2002 Goodworth ..... D6/486

\* cited by examiner

*Primary Examiner*—Janice E. Seeger

(74) *Attorney, Agent, or Firm*—Pauley Petersen & Erickson

(57) **CLAIM**

The ornamental design for a table, as shown and described.

**DESCRIPTION**

FIG. 1 is a back view of a table in accordance with one preferred embodiment of this invention;

FIG. 2 is a side view of the table as shown in FIG. 1;

FIG. 3 is a front view of the table as shown in FIG. 1;

FIG. 4 is a top view of the table as shown in FIG. 3;

FIG. 5 is a back view of a table in accordance with one preferred embodiment of this invention;

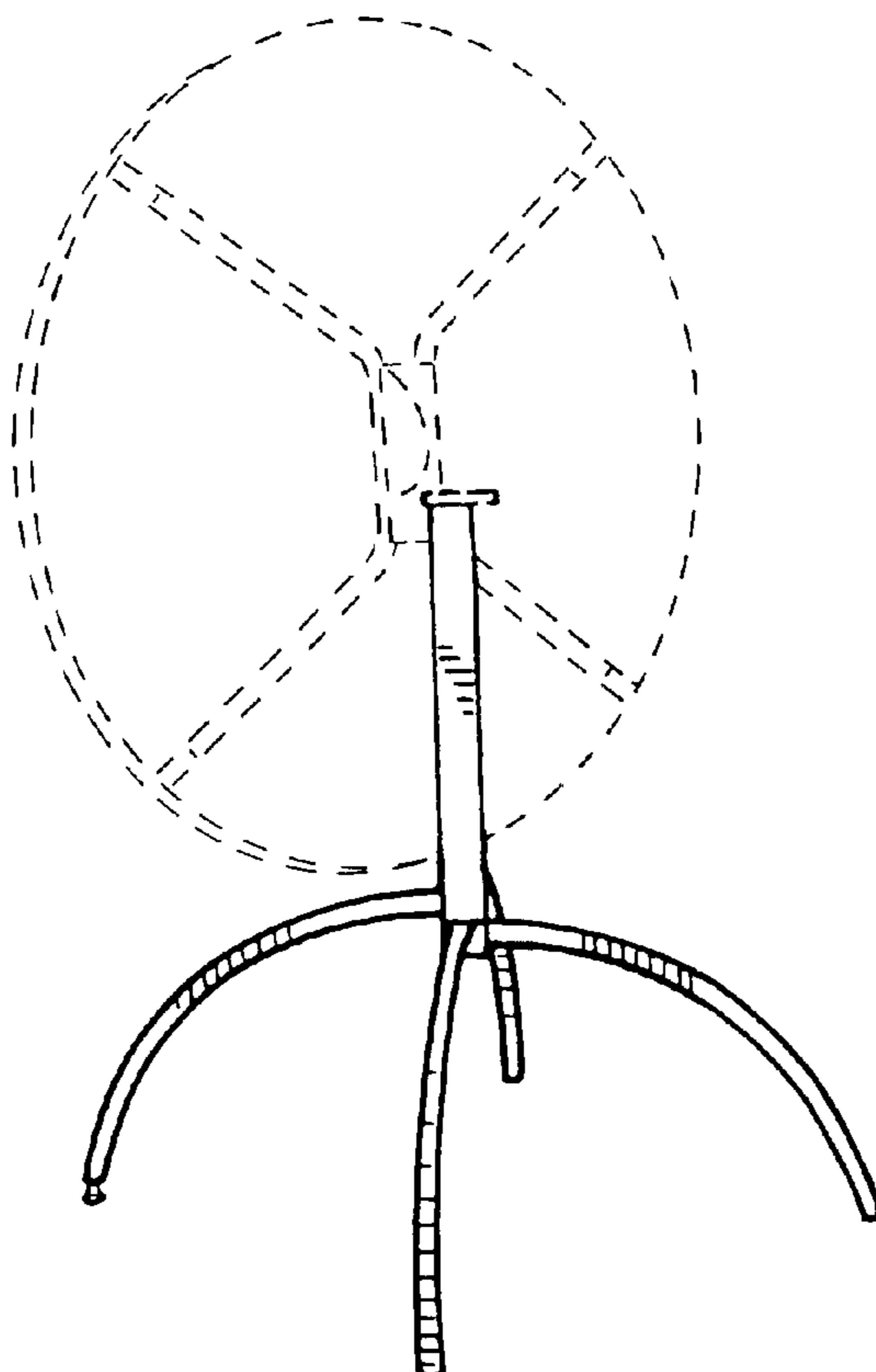
FIG. 6 is a side view of the table as shown in FIG. 5;

FIG. 7 is a front view of the table as shown in FIG. 5; and,

FIG. 8 is a top view of the table as shown in FIG. 7.

The broken lines are for environmental purposes only and form no part of the claimed design.

**1 Claim, 4 Drawing Sheets**



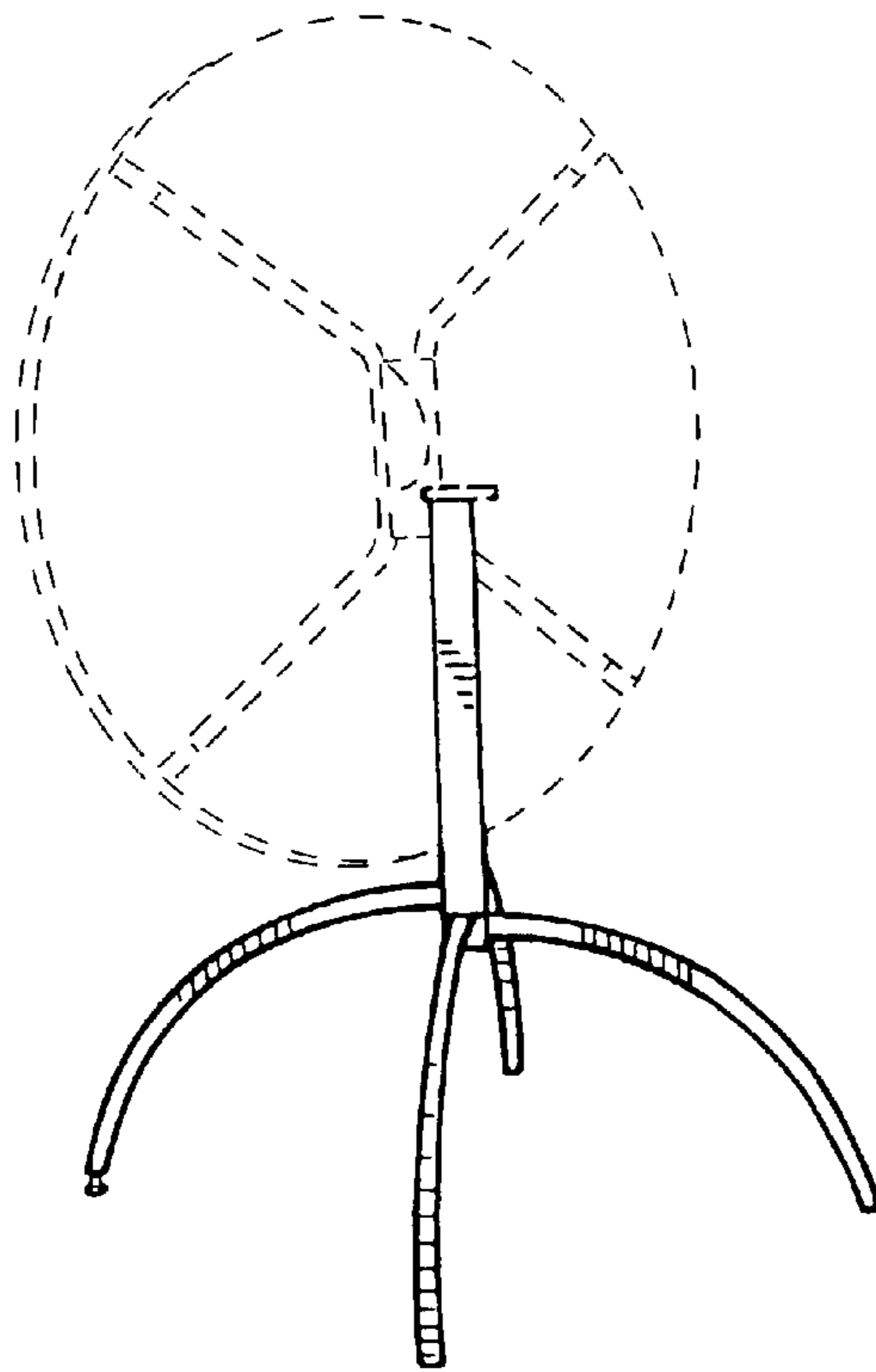


FIG. 1

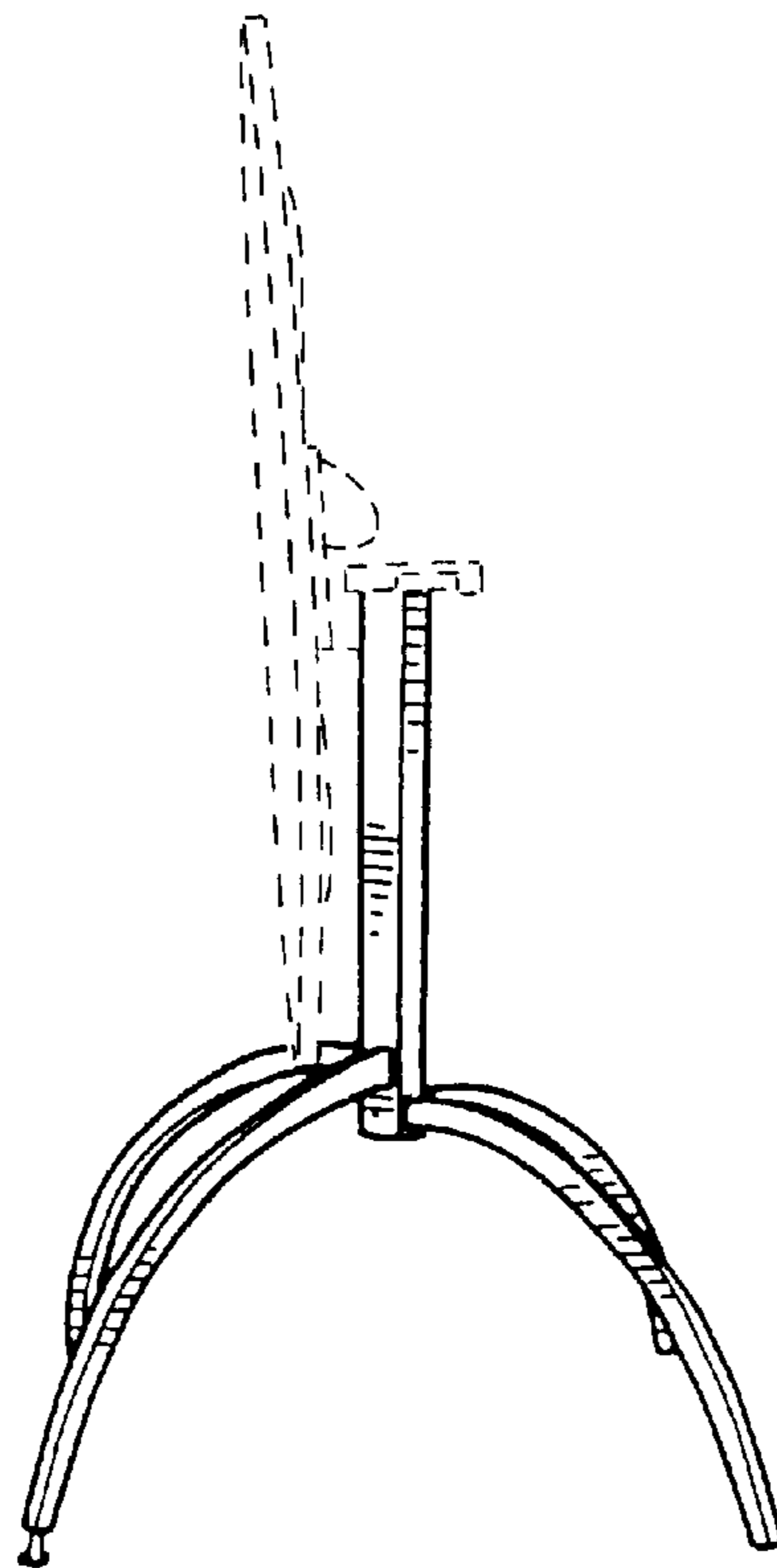


FIG. 2

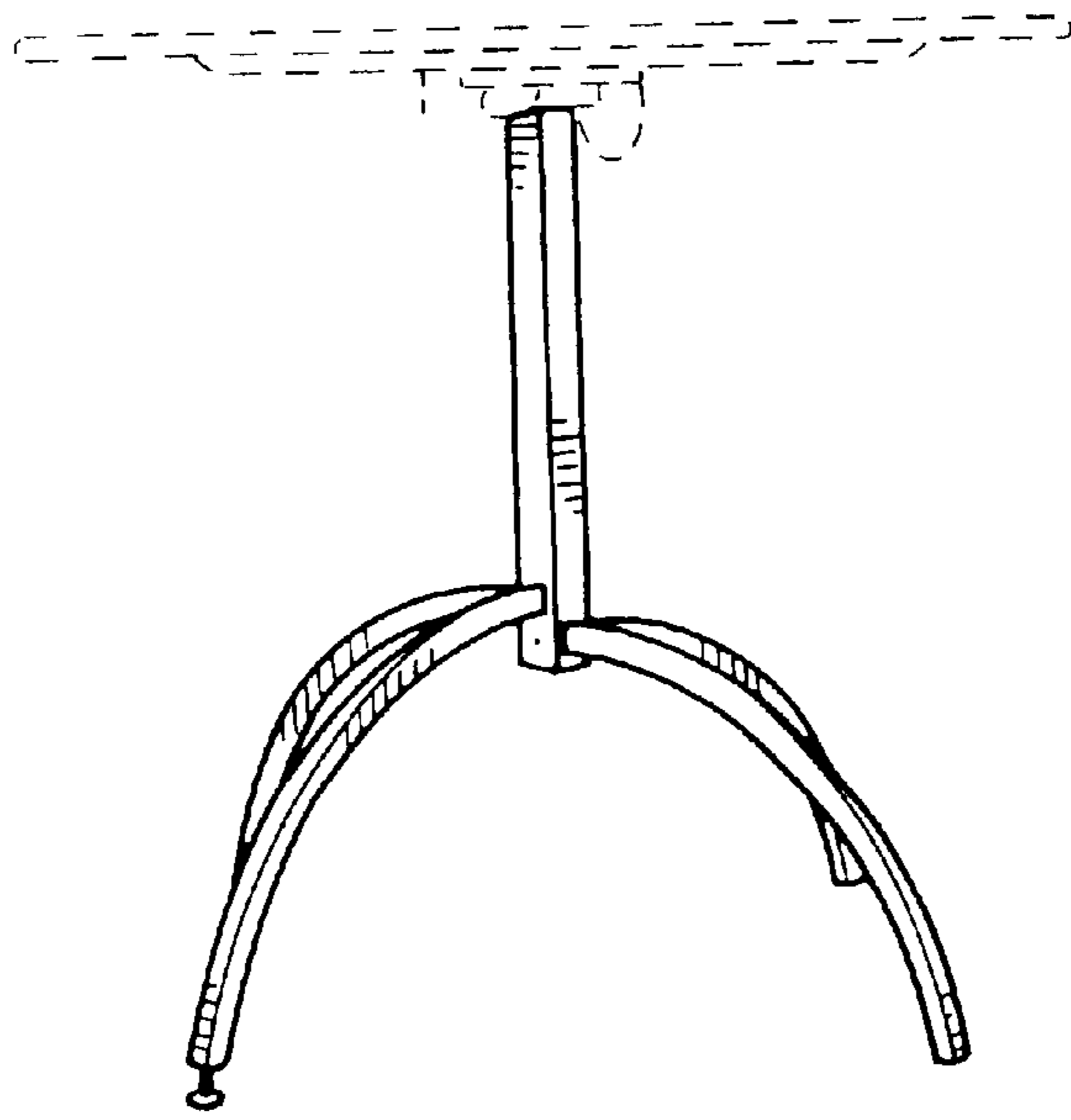


FIG. 3

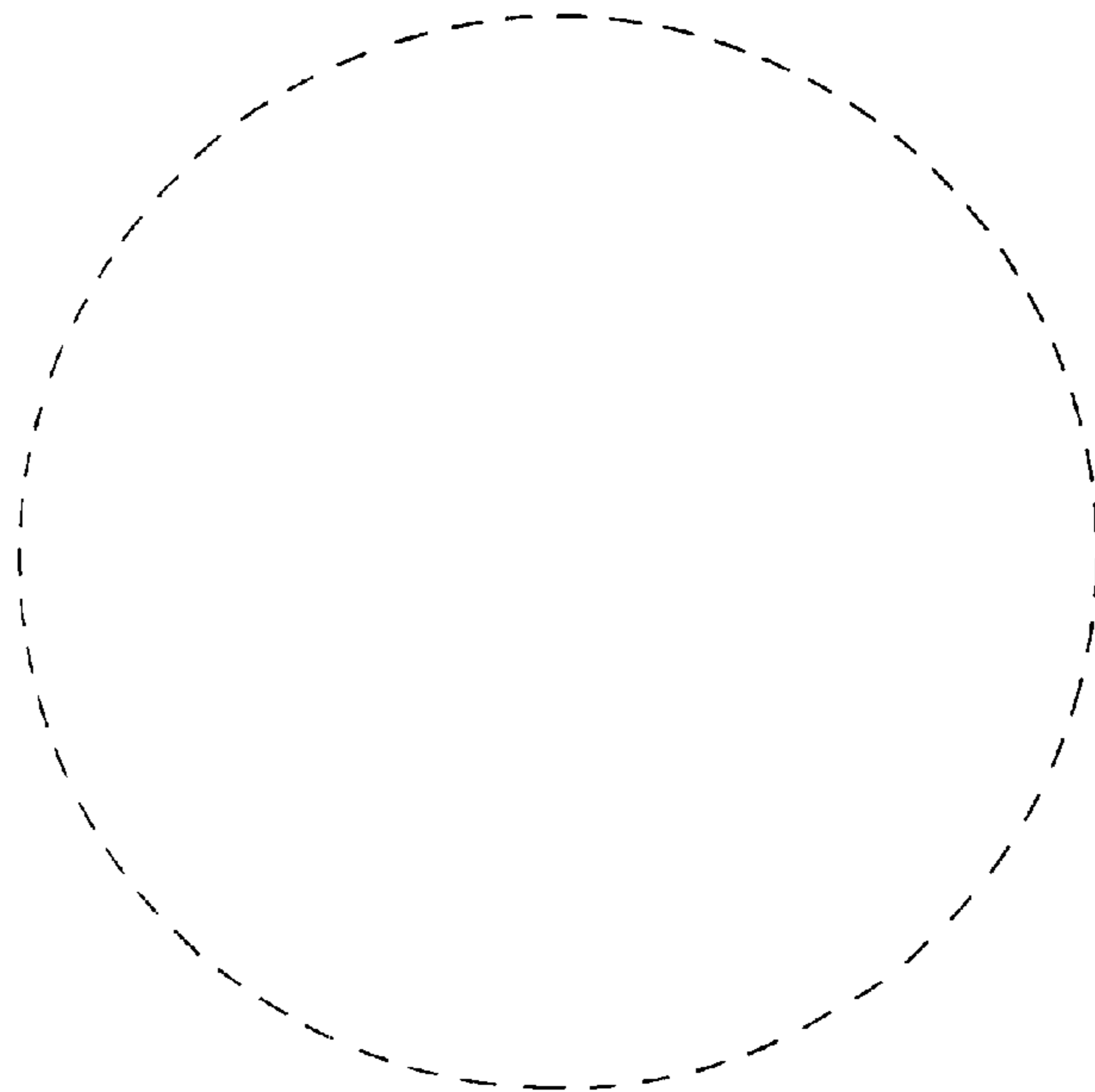


FIG. 4

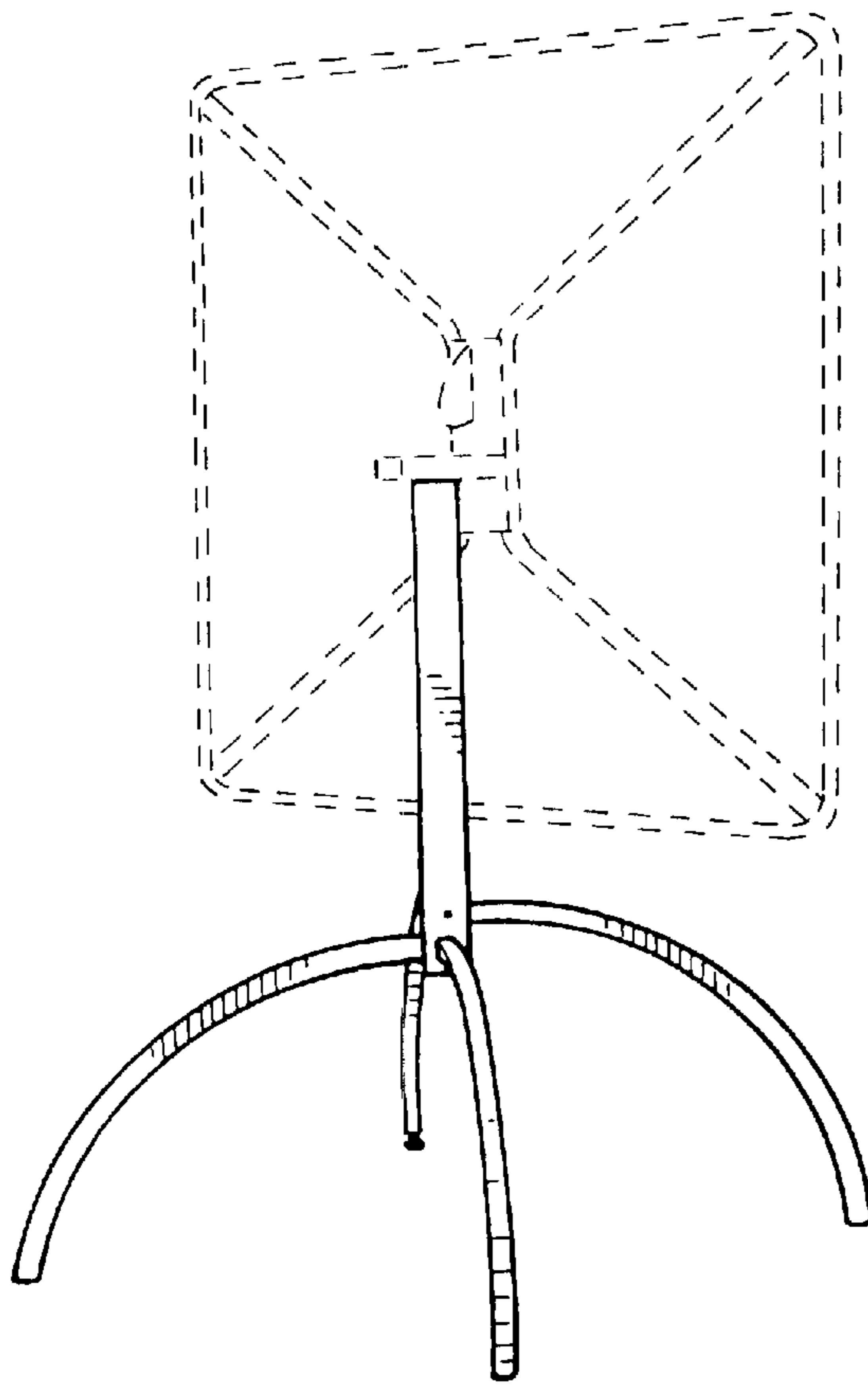


FIG. 5

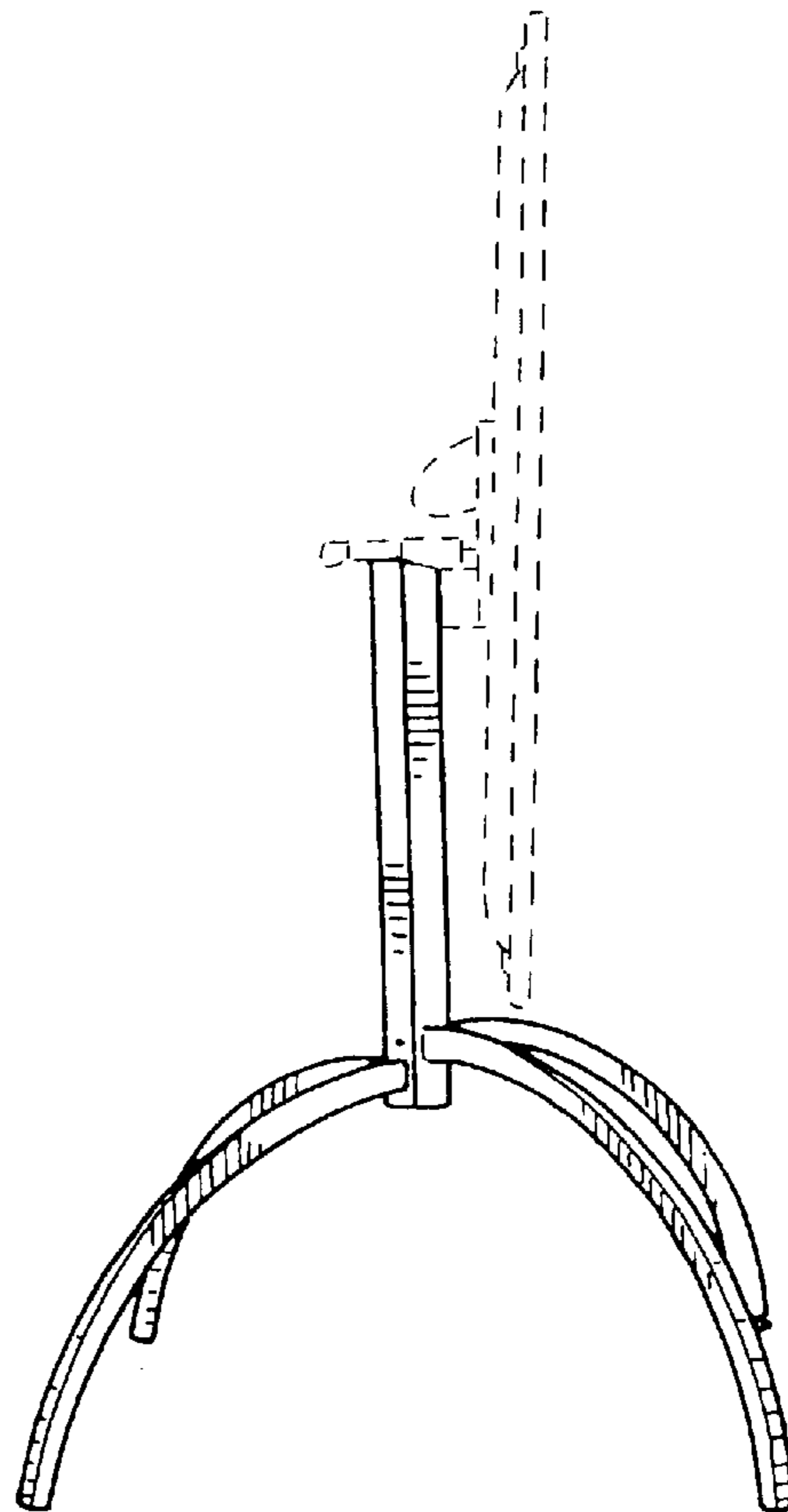


FIG. 6

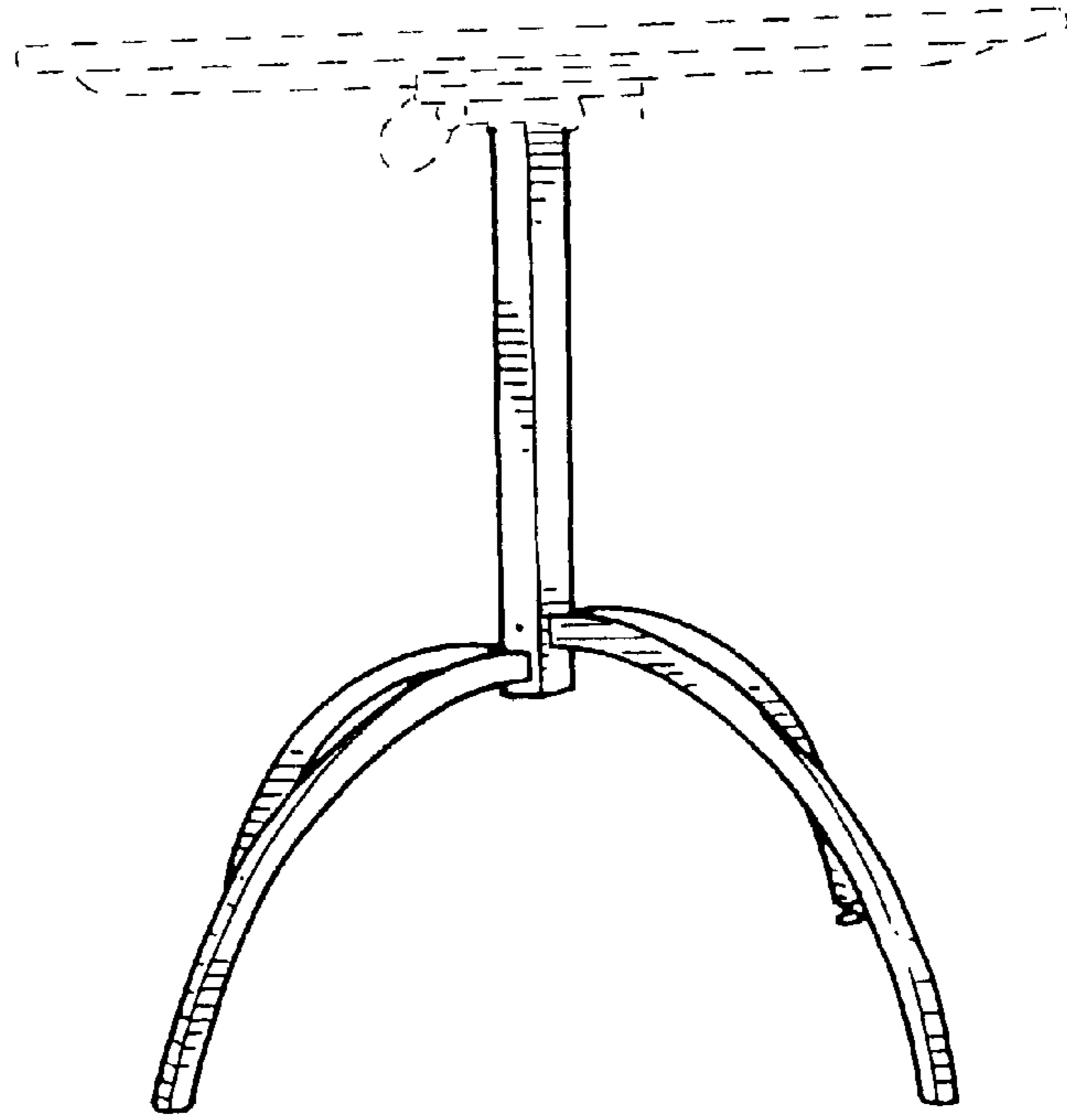


FIG. 7

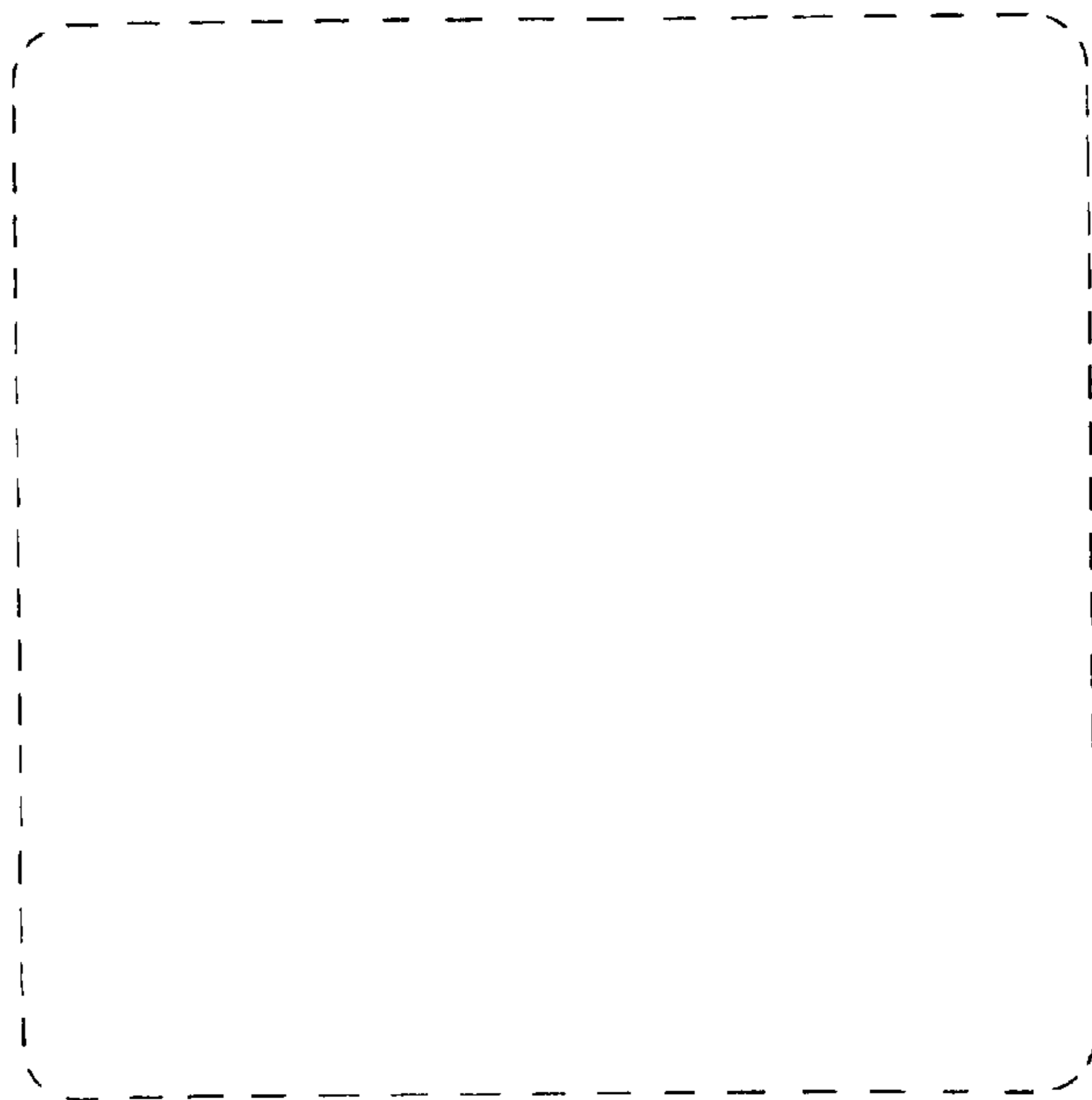


FIG. 8