



US00D481888S

(12) **United States Design Patent**  
**Coran**

(10) **Patent No.:** **US D481,888 S**

(45) **Date of Patent:** **\*\* Nov. 11, 2003**

(54) **FREE-STANDING DOCUMENT TRAY ARRAY**

*Primary Examiner*—Cathron C. Brooks

(74) *Attorney, Agent, or Firm*—Joe D. Calhoun

(76) **Inventor:** **Richard O. Coran**, 1560 E. Oak St.,  
Conway, AR (US) 72032

(\*\*) **Term:** **14 Years**

(57) **CLAIM**

I claim the ornamental design for a free-standing document tray array, as shown and described.

(21) **Appl. No.:** **29/164,045**

(22) **Filed:** **Jul. 15, 2002**

**DESCRIPTION**

(51) **LOC (7) Cl.** ..... **06-04**

FIG. 1 depicts a perspective view of the invention, looking down from the front and side.

(52) **U.S. Cl.** ..... **D6/474; D6/477**

FIG. 2 depicts an elevation view from the front of the invention.

(58) **Field of Search** ..... D6/396, 397, 630,  
D6/449, 465, 468, 474, 499, 476–479, 510,  
511, 419; D19/92; 108/59–61, 91–93, 147.11,  
158.11; 211/42, 43, 49.1, 85.26, 133.2,  
134, 181.1, 182, 188, 203; 312/7.2

FIG. 3 depicts an elevation view from the rear of the invention.

(56) **References Cited**

FIG. 4 depicts a top plan view of the invention; the bottom is flat and unornamented.

**U.S. PATENT DOCUMENTS**

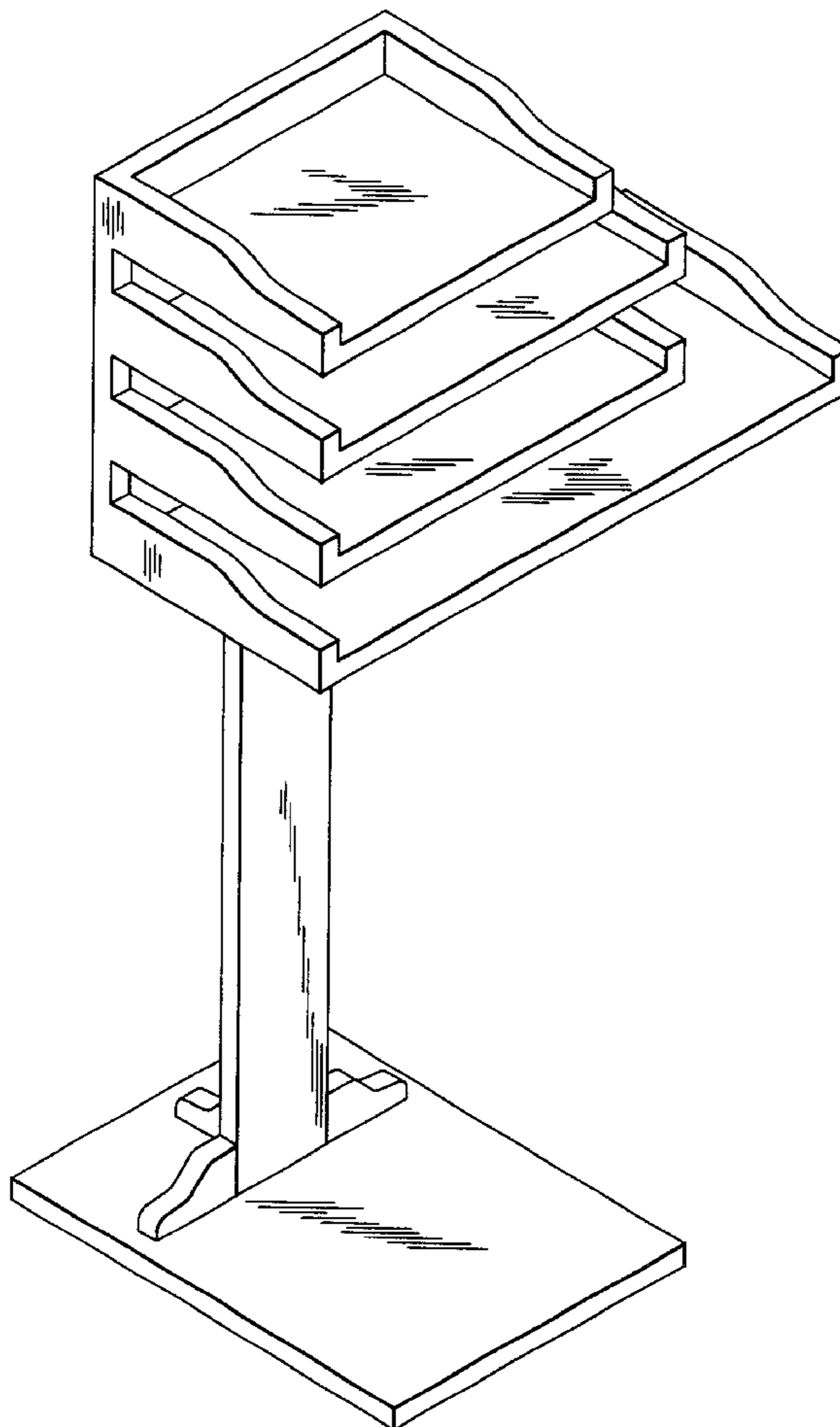
FIG. 5 depicts an elevation view from one side of the invention; and,

D250,920 S	*	1/1979	Waters	.....	D6/419
D296,275 S	*	6/1988	Fisher et al.	.....	D6/419
D322,463 S	*	12/1991	Hansen	.....	D19/92
D434,923 S	*	12/2000	Arrowsmith et al.	.....	D6/436

FIG. 6 depicts an elevation view from the other side of the invention.

\* cited by examiner

**1 Claim, 4 Drawing Sheets**



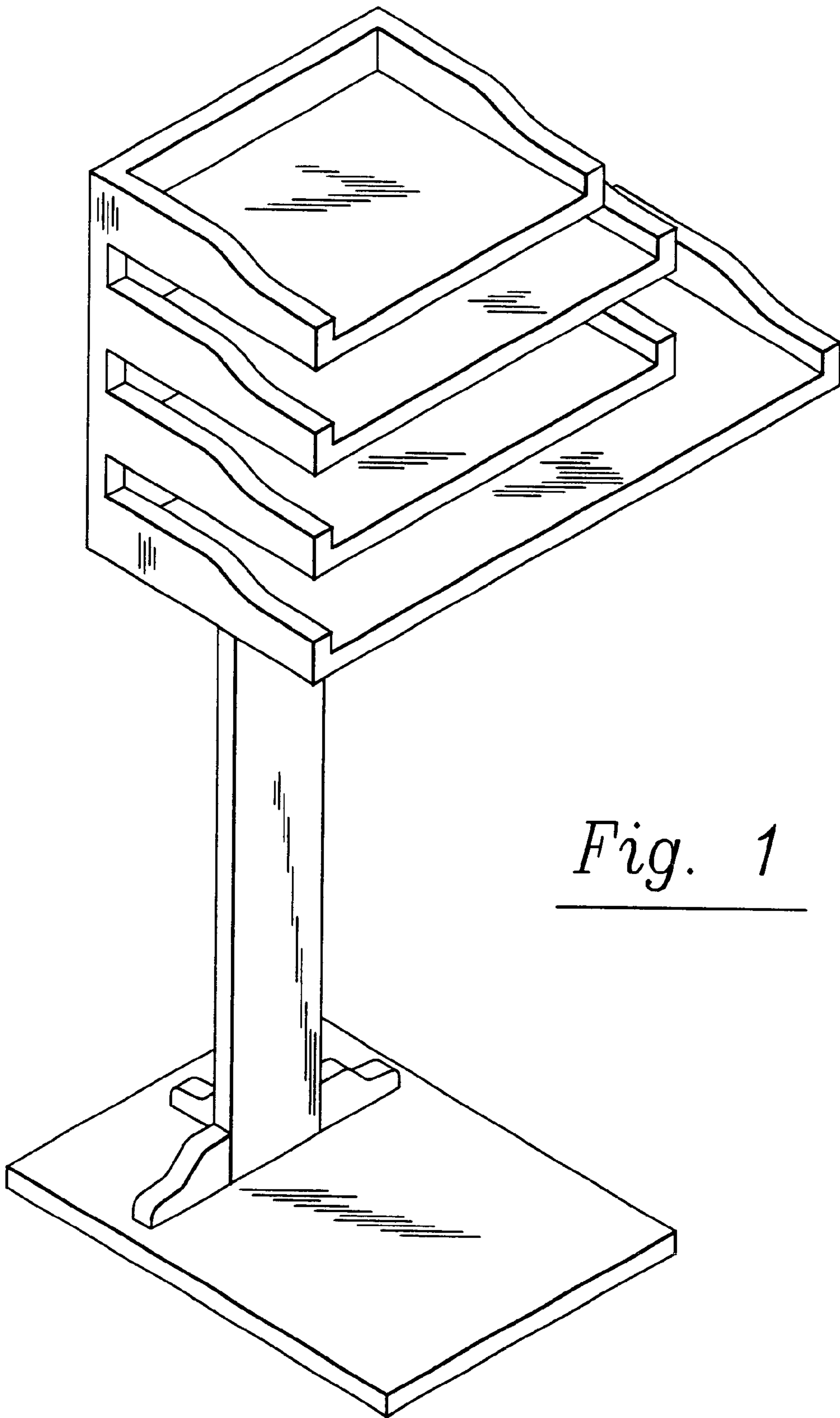
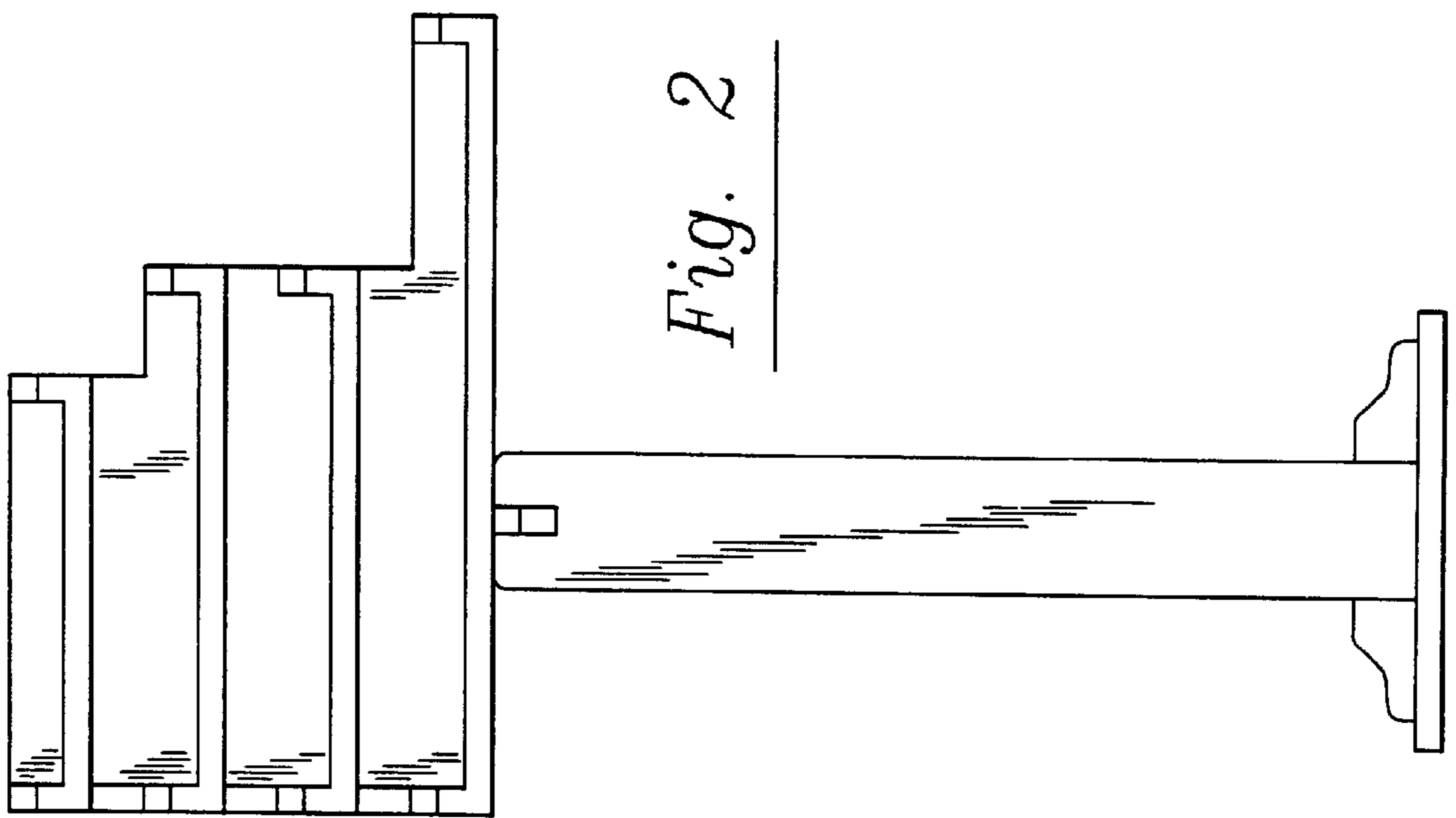
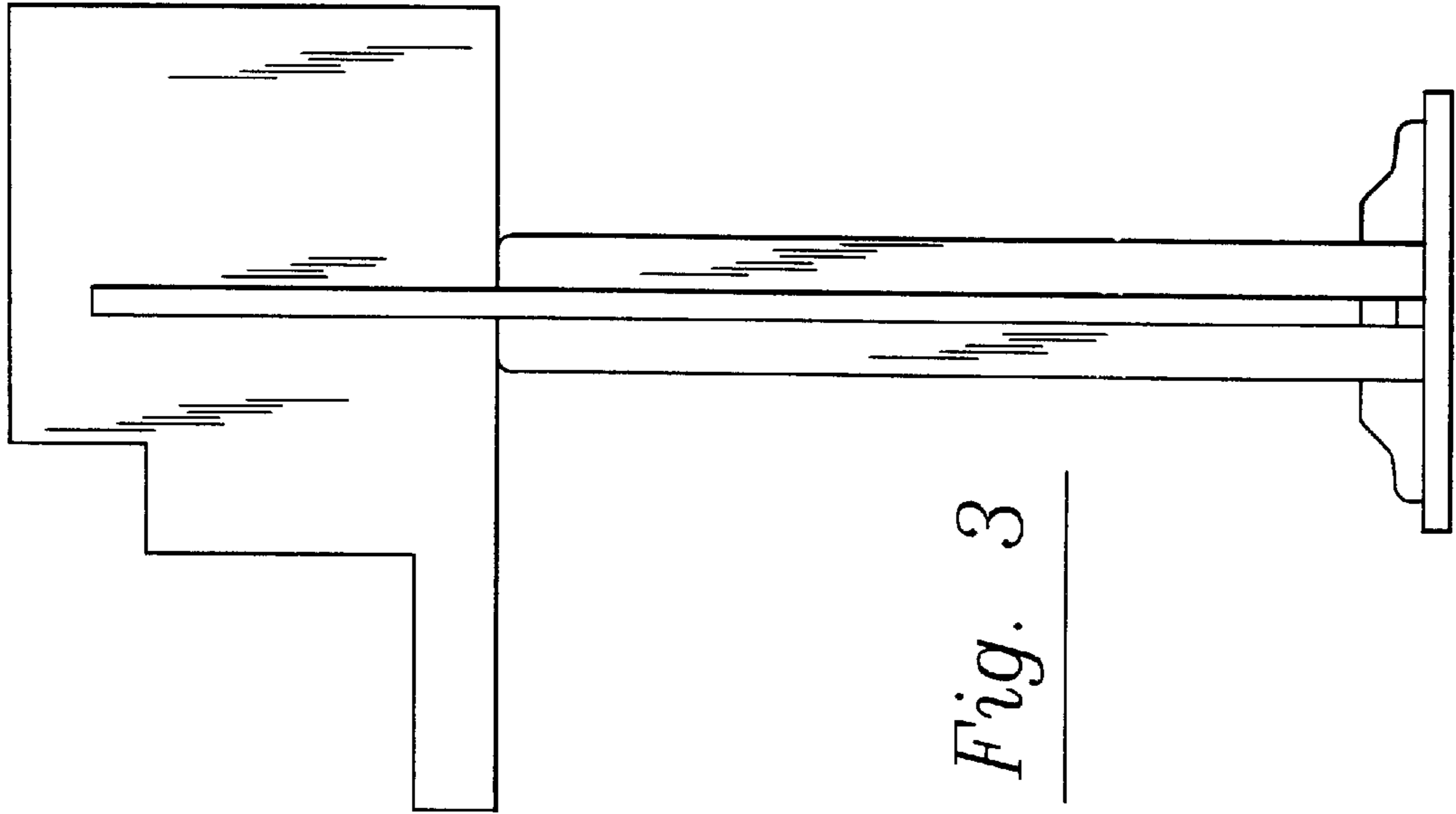
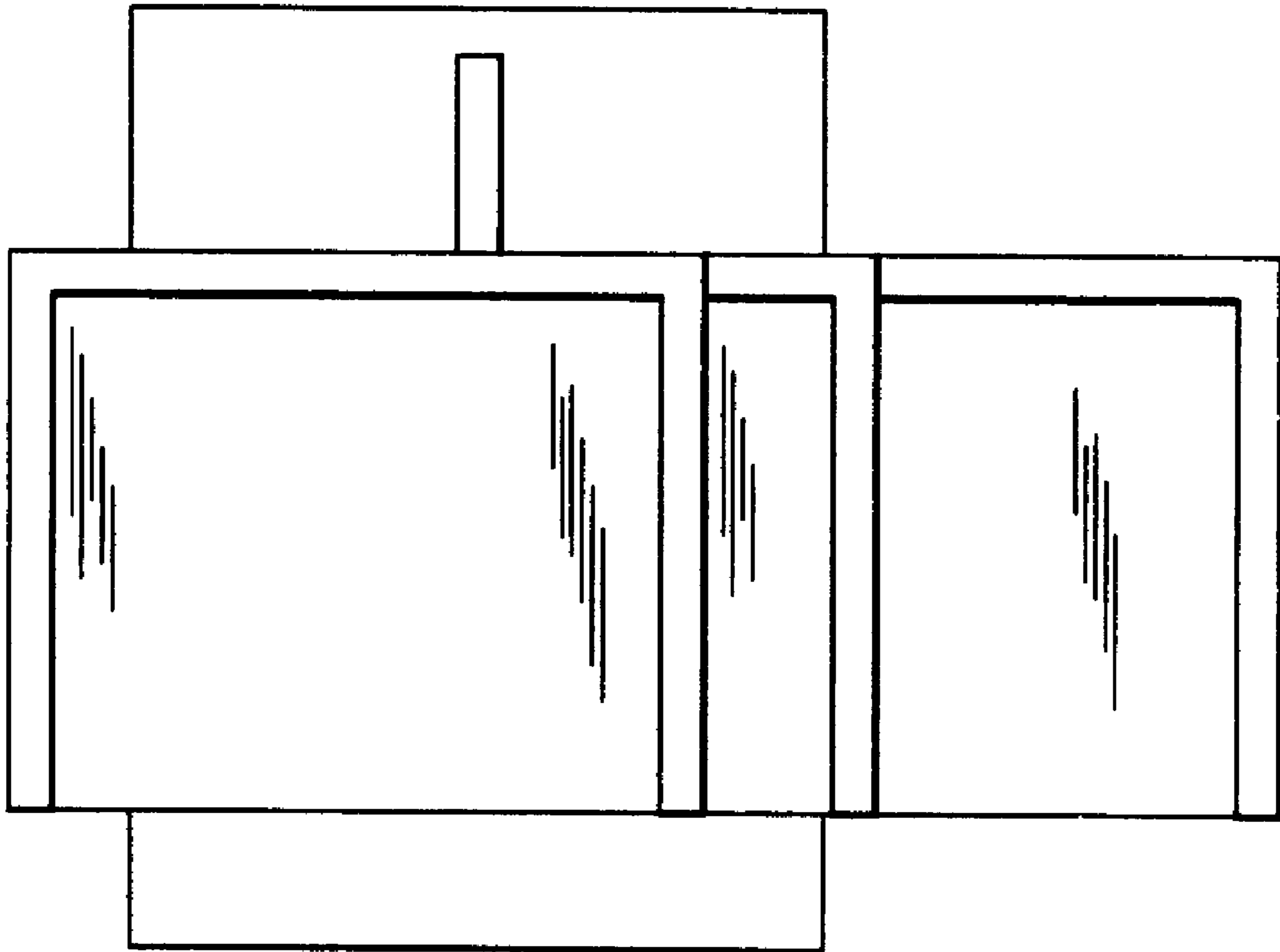


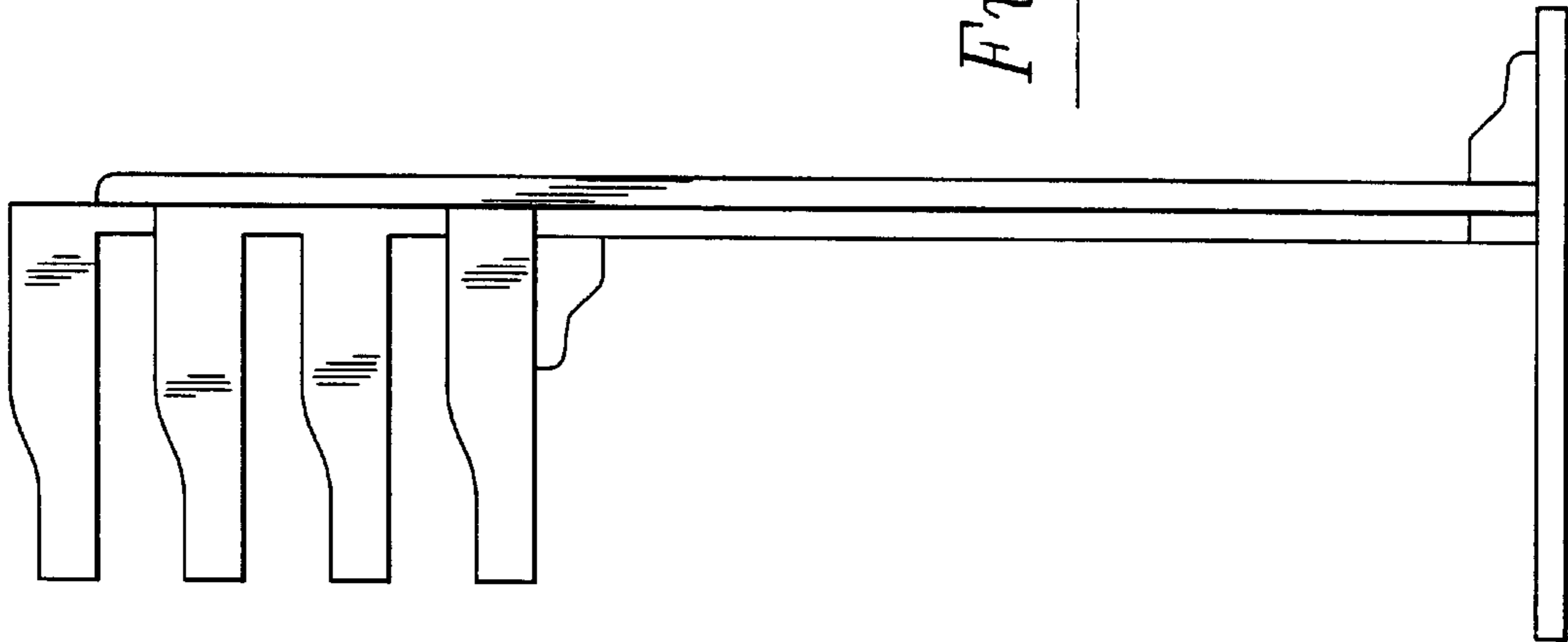
Fig. 1



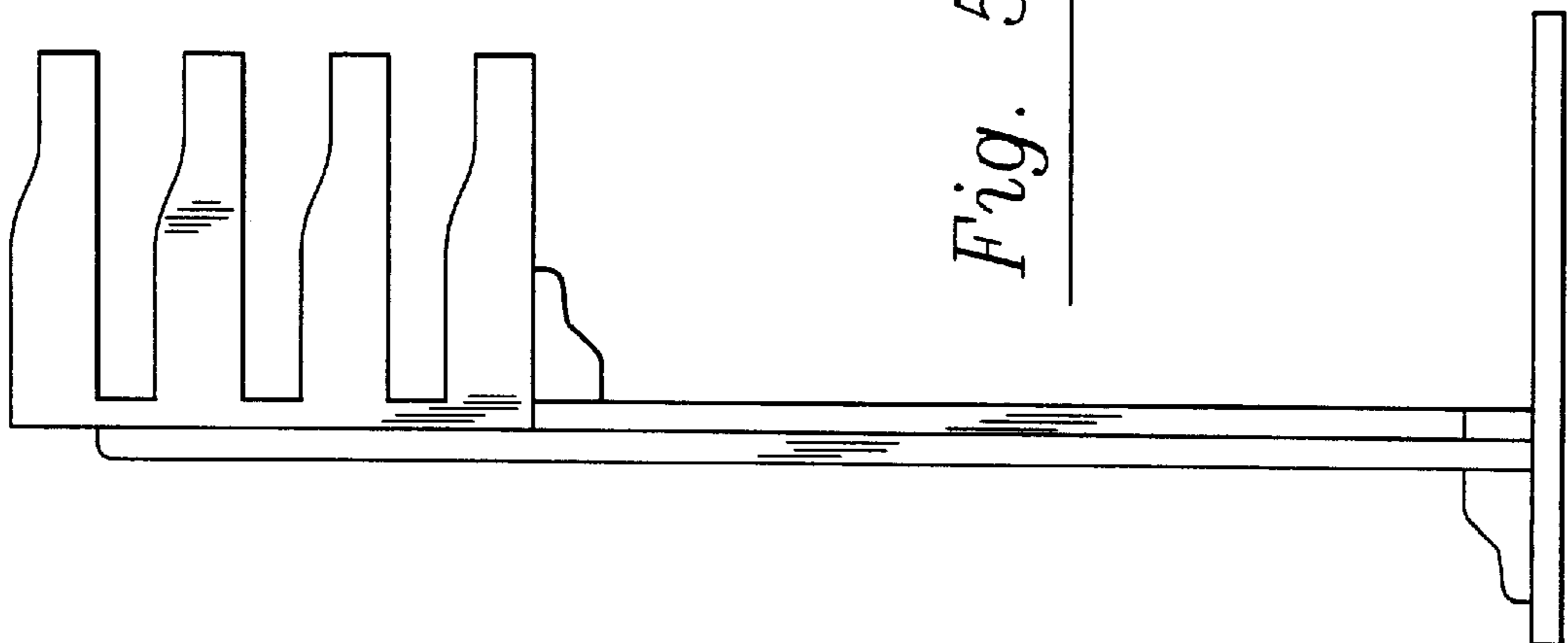


*Fig. 4*

---



*Fig. 6*



*Fig. 5*