



US00D481887S

(12) **United States Design Patent**
Ellwanger

(10) **Patent No.:** **US D481,887 S**

(45) **Date of Patent:** **** Nov. 11, 2003**

(54) **CABINET**

(75) Inventor: **James A. Ellwanger**, Des Moines, IA (US)

(73) Assignee: **James Ellwanger, LLC**, Des Moines, IA (US)

(**) Term: **14 Years**

(21) Appl. No.: **29/171,021**

(22) Filed: **Nov. 14, 2002**

(51) **LOC (7) Cl.** **06-04**

(52) **U.S. Cl.** **D6/448; D6/610**

(58) **Field of Search** D6/396, 432, 448,
D6/445, 446, 610; D3/289, 301; 150/158;
312/204, 210, 213

(56) **References Cited**

U.S. PATENT DOCUMENTS

1,288,518	A	*	12/1918	Collier	135/137
3,746,151	A	*	7/1973	Brophy et al.	206/287
4,954,384	A	*	9/1990	Hartwell	52/3 X
D313,143	S	*	12/1990	Handler et al.	D6/610
D316,340	S	*	4/1991	Richardson	D6/397
D340,580	S	*	10/1993	Hirschy	D3/321
5,474,185	A	*	12/1995	Franke	206/586
D389,363	S	*	1/1998	Robertson	D6/610
D392,263	S	*	3/1998	Carlson et al.	D14/114
D402,845	S	*	12/1998	Hanzok	D6/610
D411,918	S	*	7/1999	Neuman	D3/289
D413,038	S	*	8/1999	Trimarchi	D6/610
D435,363	S	*	12/2000	Felsenthal	D6/445
6,543,864	B2	*	4/2003	Cline	52/3 X

OTHER PUBLICATIONS

Portable Closet, Hold Everything Catalog, p. 11, Sep. 1989.*

* cited by examiner

Primary Examiner—Cathron C. Brooks

(74) *Attorney, Agent, or Firm*—Heslin Rothenberg Farley & Mesiti P.C.

(57) **CLAIM**

The ornamental design for the cabinet, as shown and described.

DESCRIPTION

FIG. 1 is a perspective view of a cabinet in accordance with the new design;

FIG. 2 is a front elevational view thereof;

FIG. 3 is a top view thereof;

FIG. 4 is a right side elevational view thereof, the left side elevational view being a mirror image thereof;

FIG. 5 is a rear elevational view thereof;

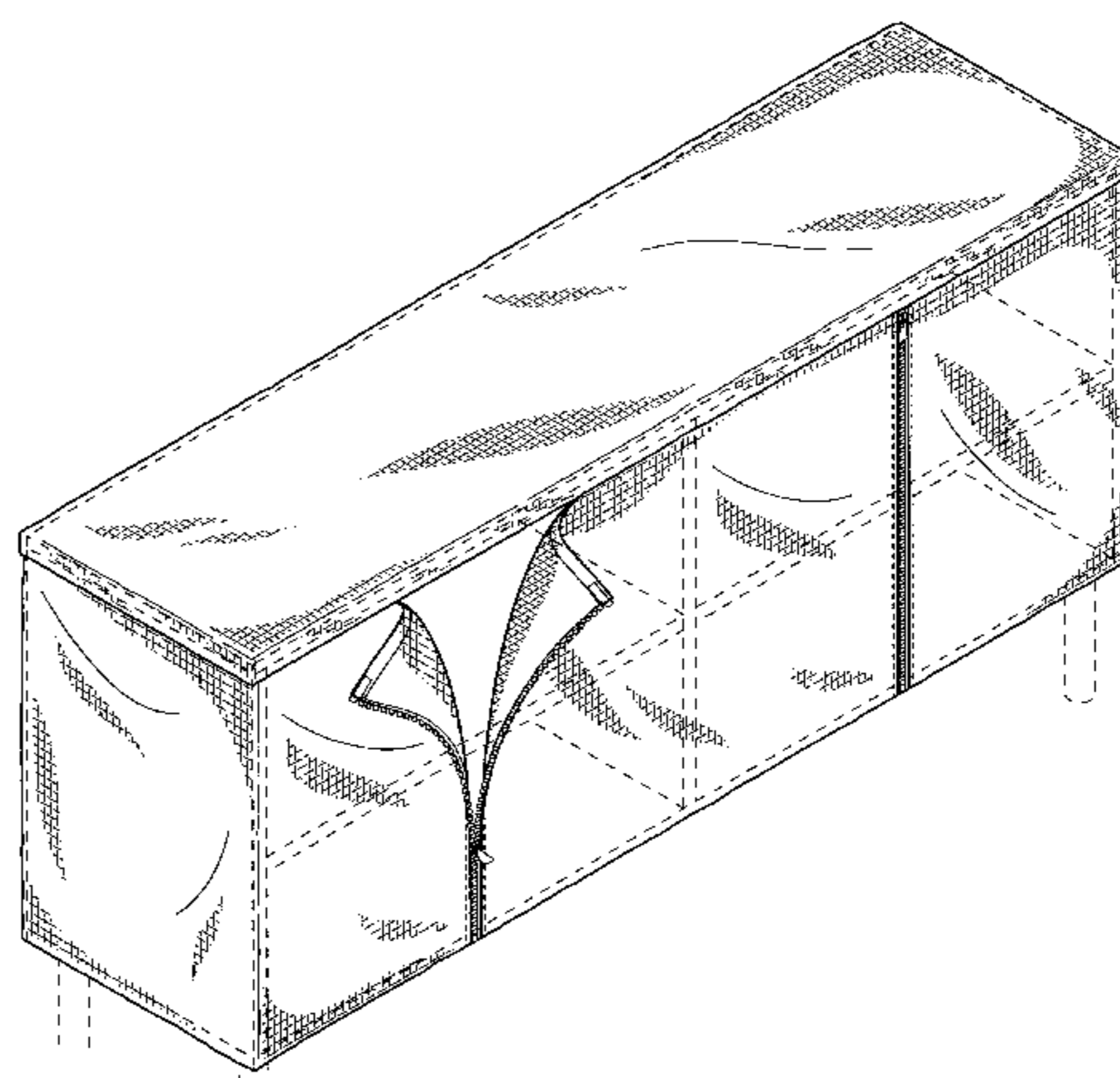
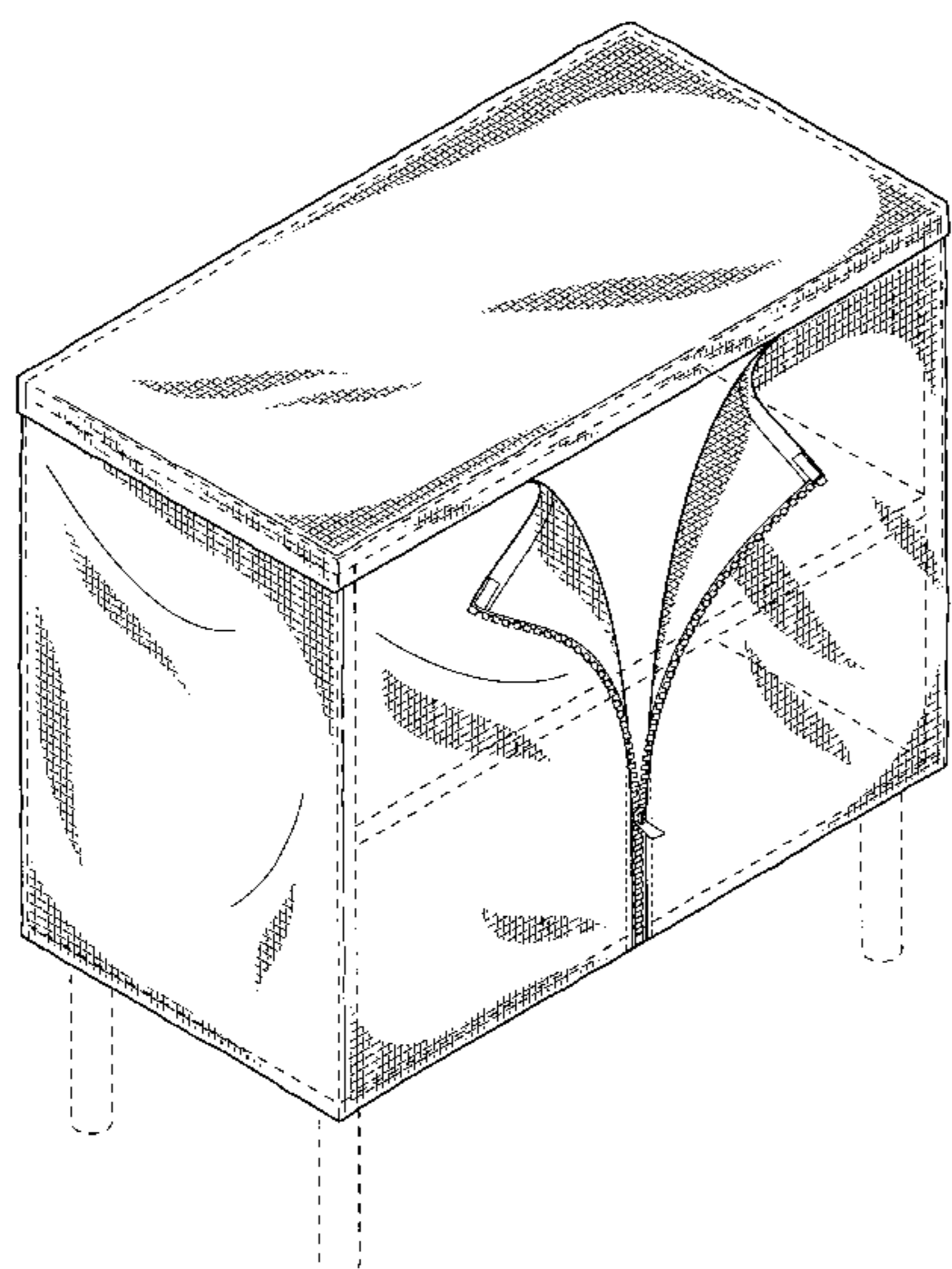
FIG. 6 is a perspective view thereof illustrating the zipper in a partially opened position;

FIG. 7 is a perspective view of an alternative embodiment of the cabinet in accordance with the design illustrating the zipper in a partially opened position and the outer covering being a non-transparent material extending around the front, top, back, and left and right sides; and,

FIG. 8 is a perspective view of a second alternative embodiment of the cabinet in accordance with my new design illustrating one zipper in a partially opened position and the other zipper in a closed position.

The fragmented crisscross shading in FIGS. 1–6 and 8 is representative of a material which may be transparent or semi-transparent and which is understood to be continuous throughout the implied area. The broken lines are for illustrative purposes only and form no part of the claimed design.

1 Claim, 8 Drawing Sheets



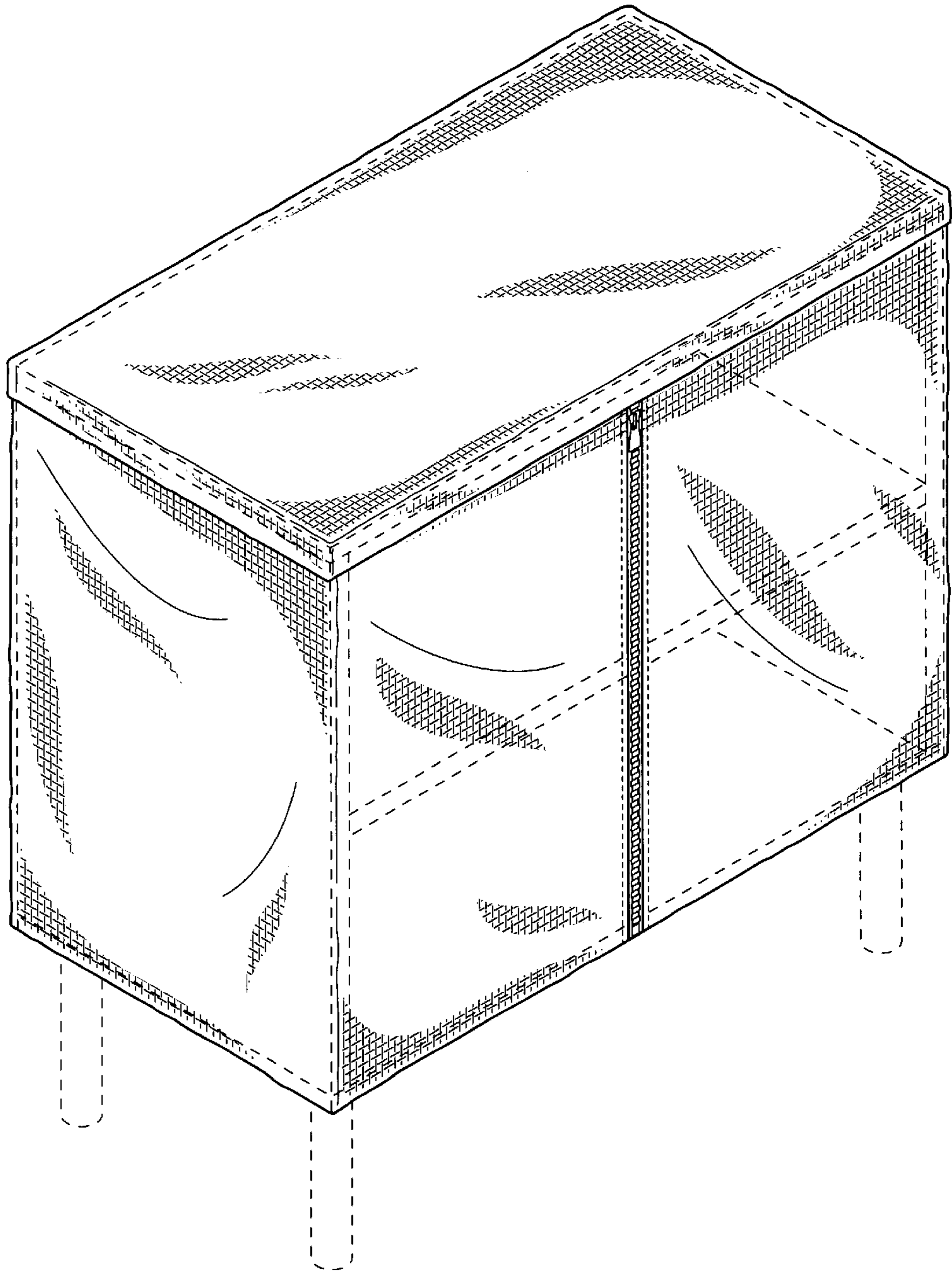


FIG. 1

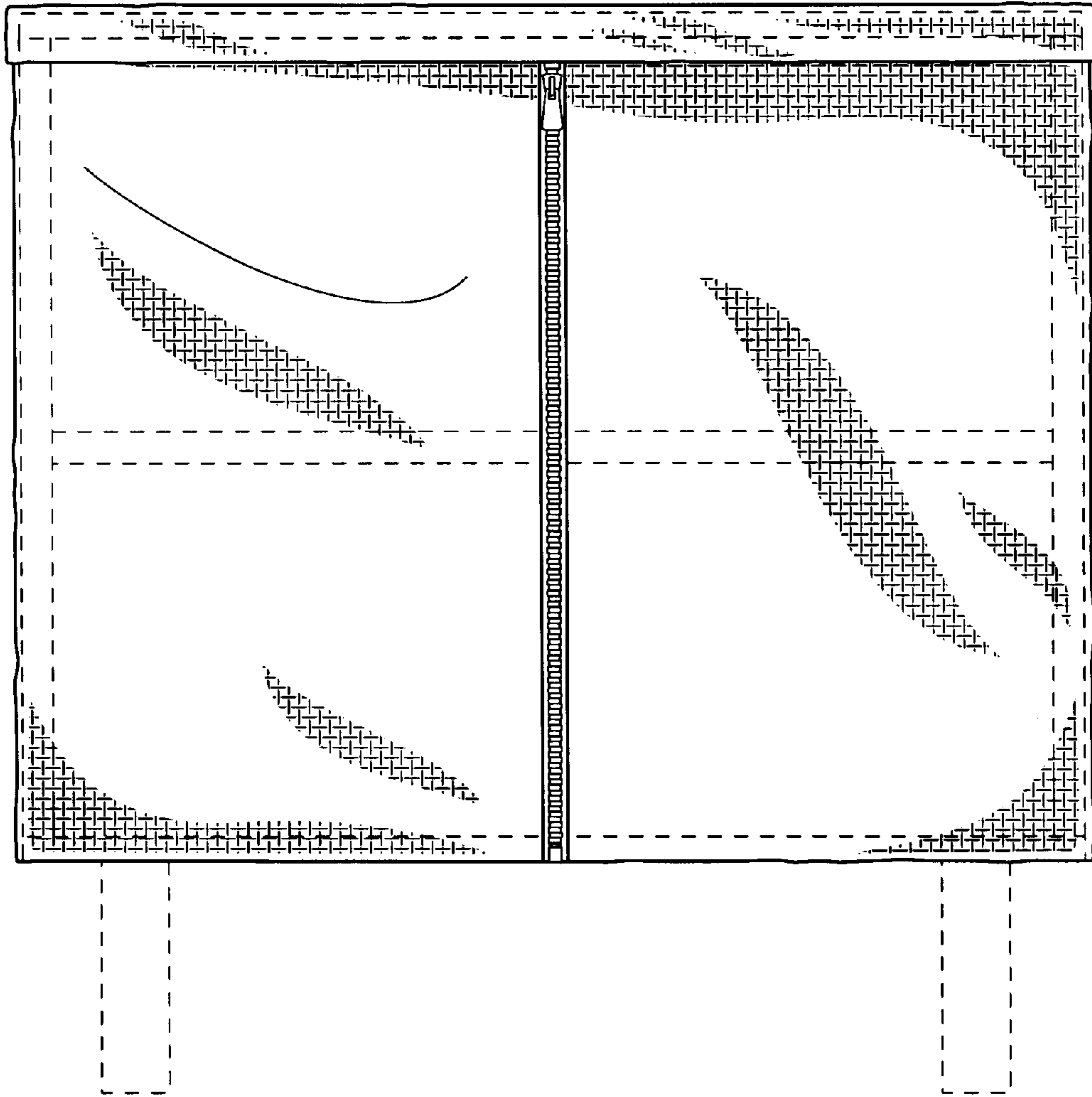


FIG. 2

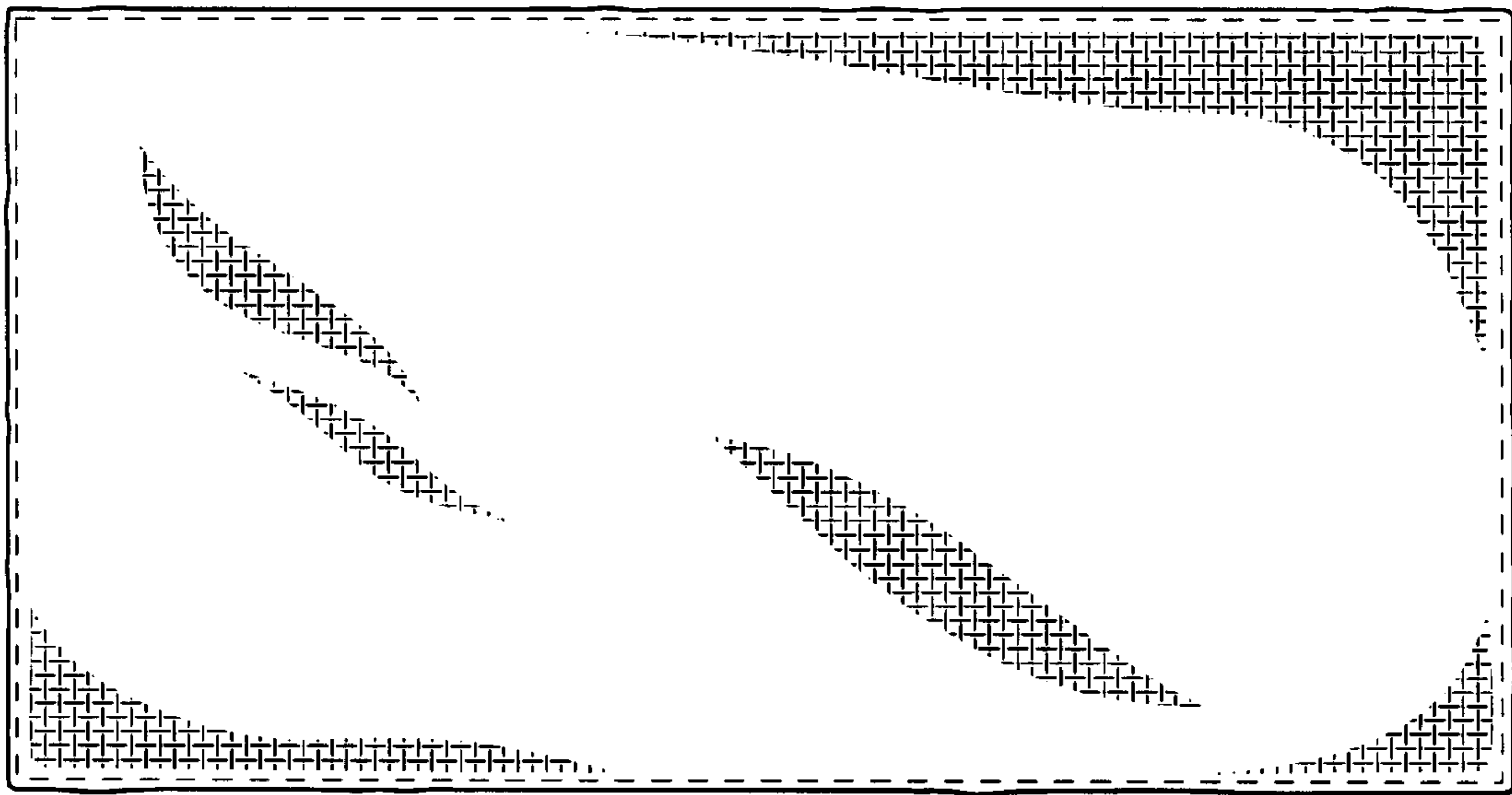


FIG. 3

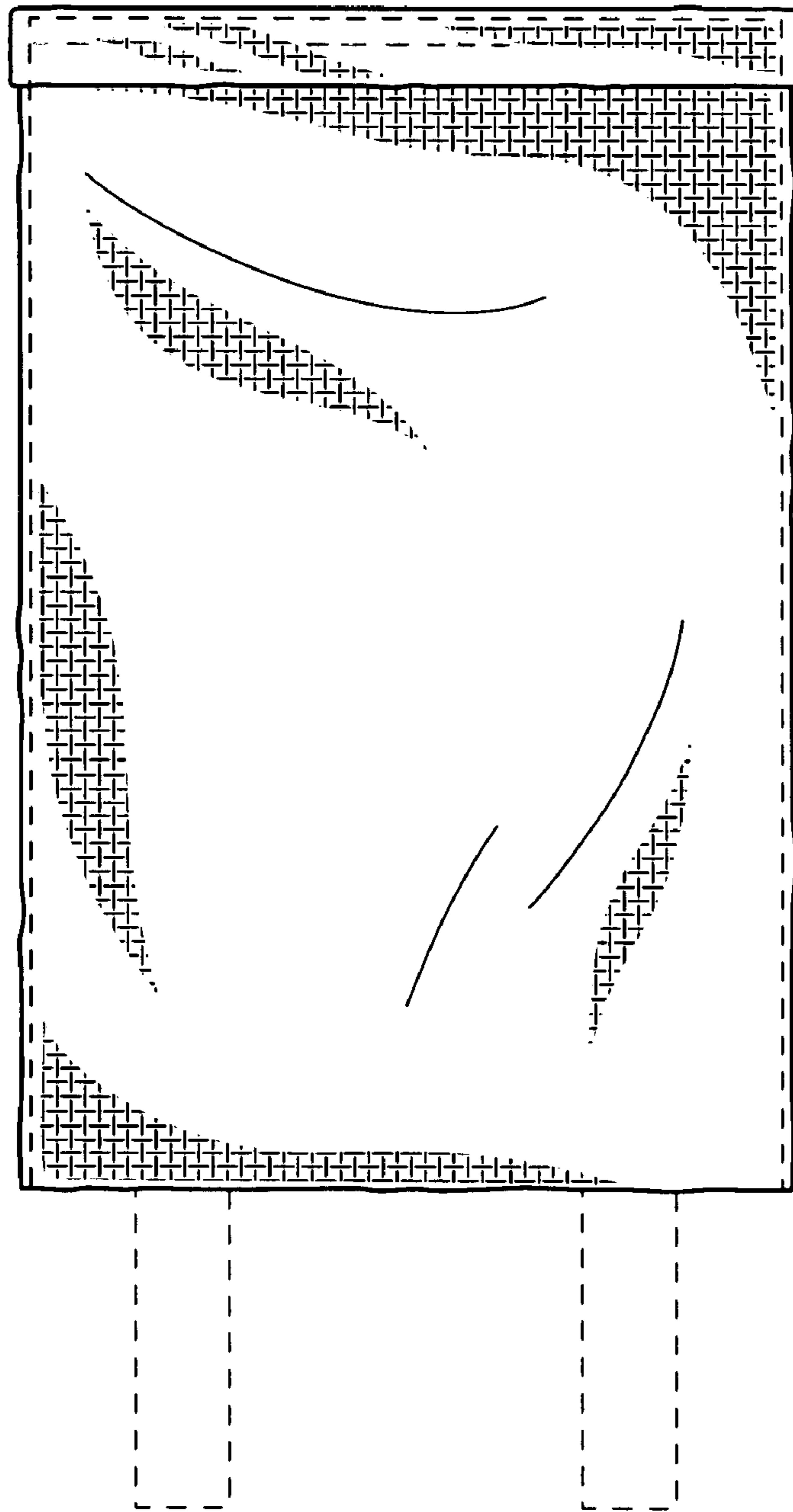


FIG. 4

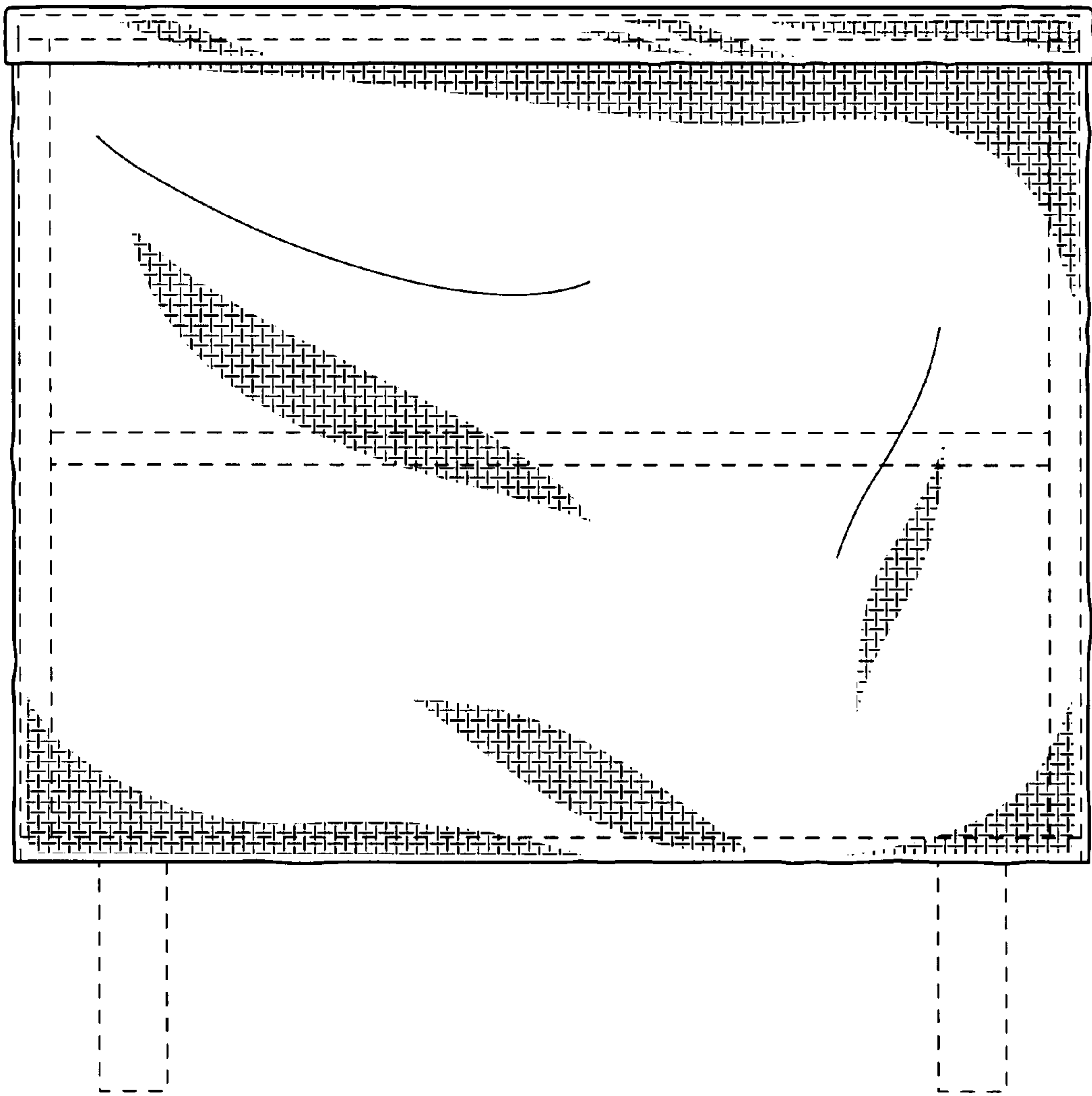


FIG. 5

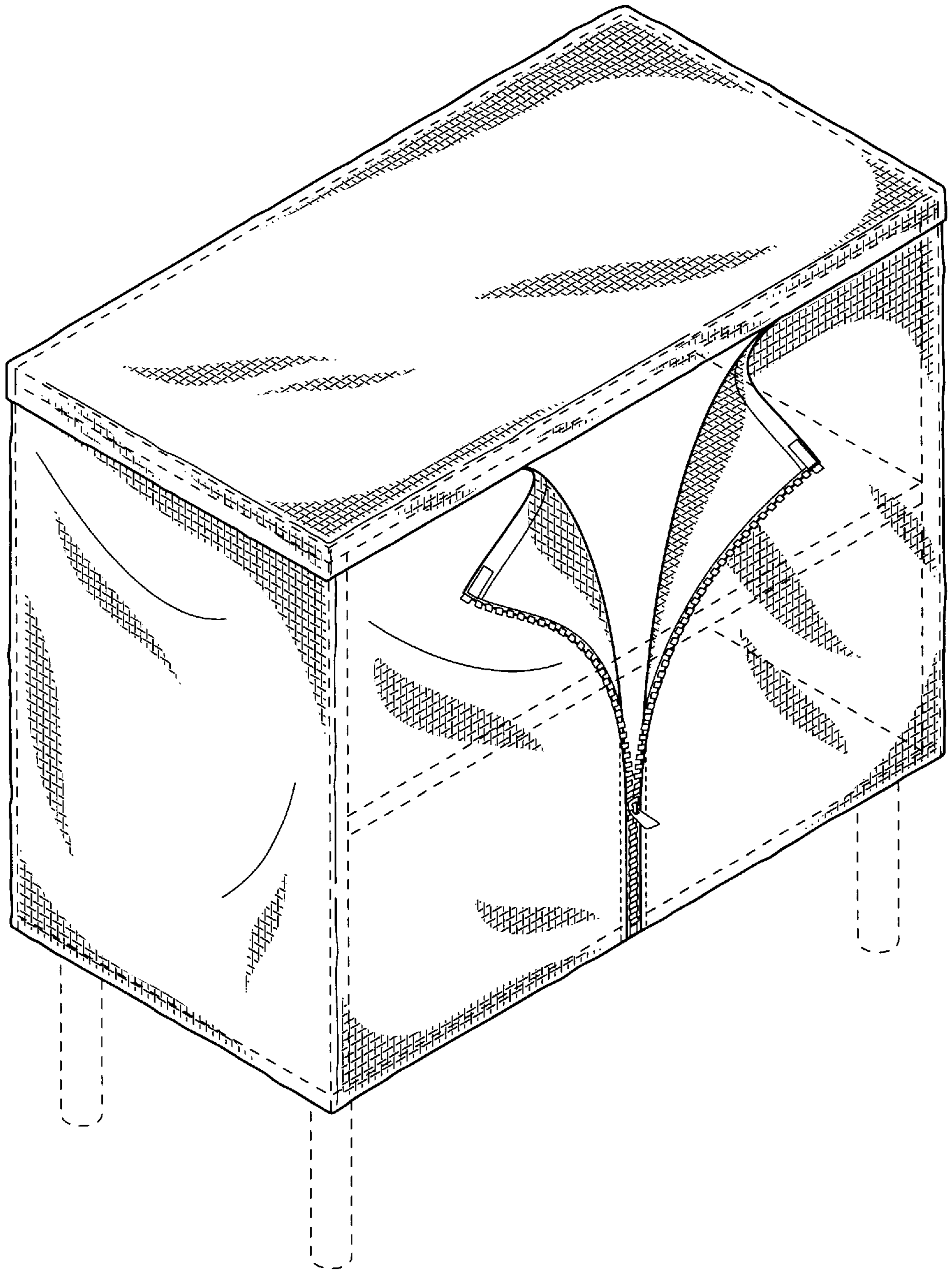


FIG. 6

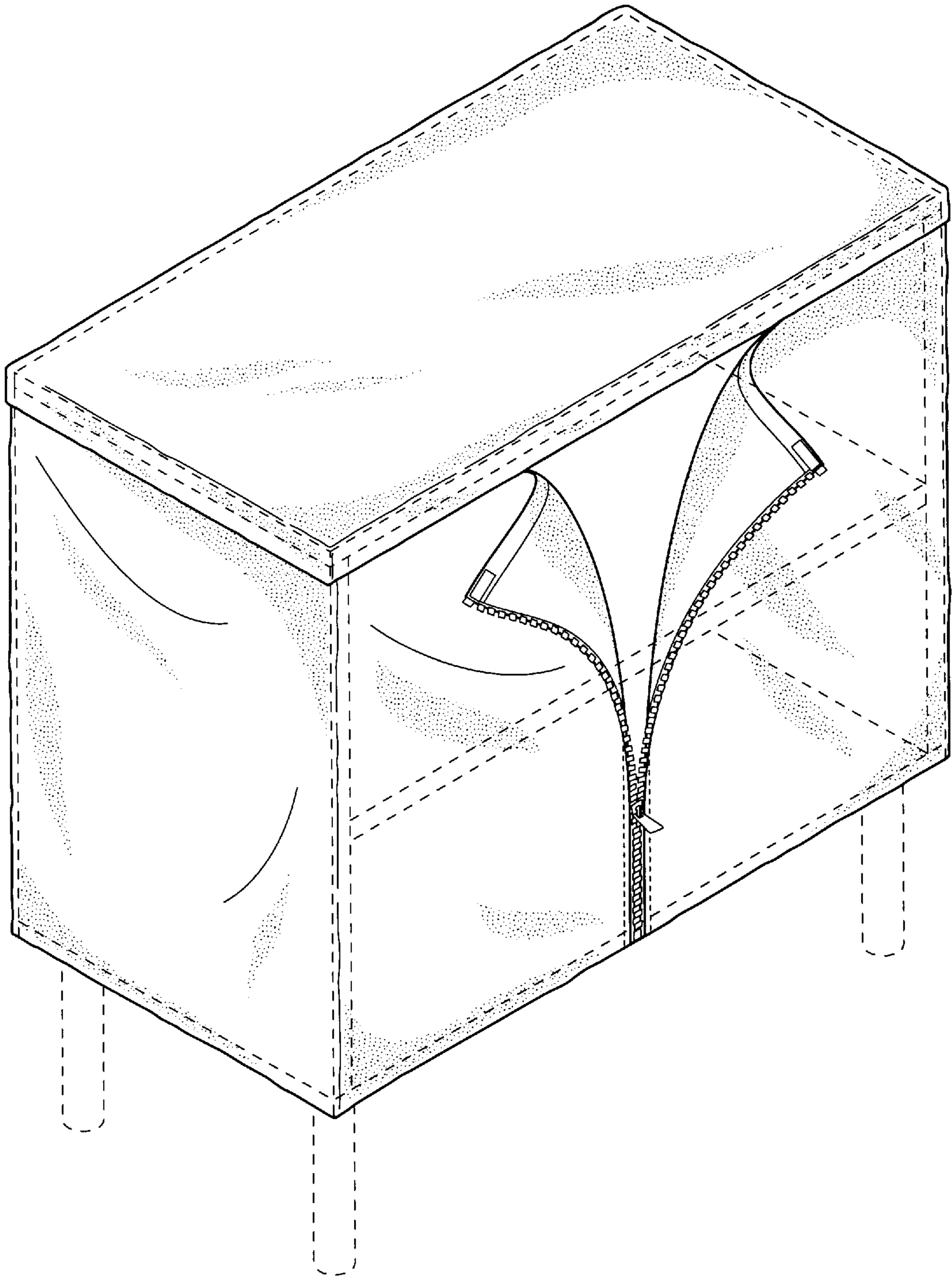


FIG. 7

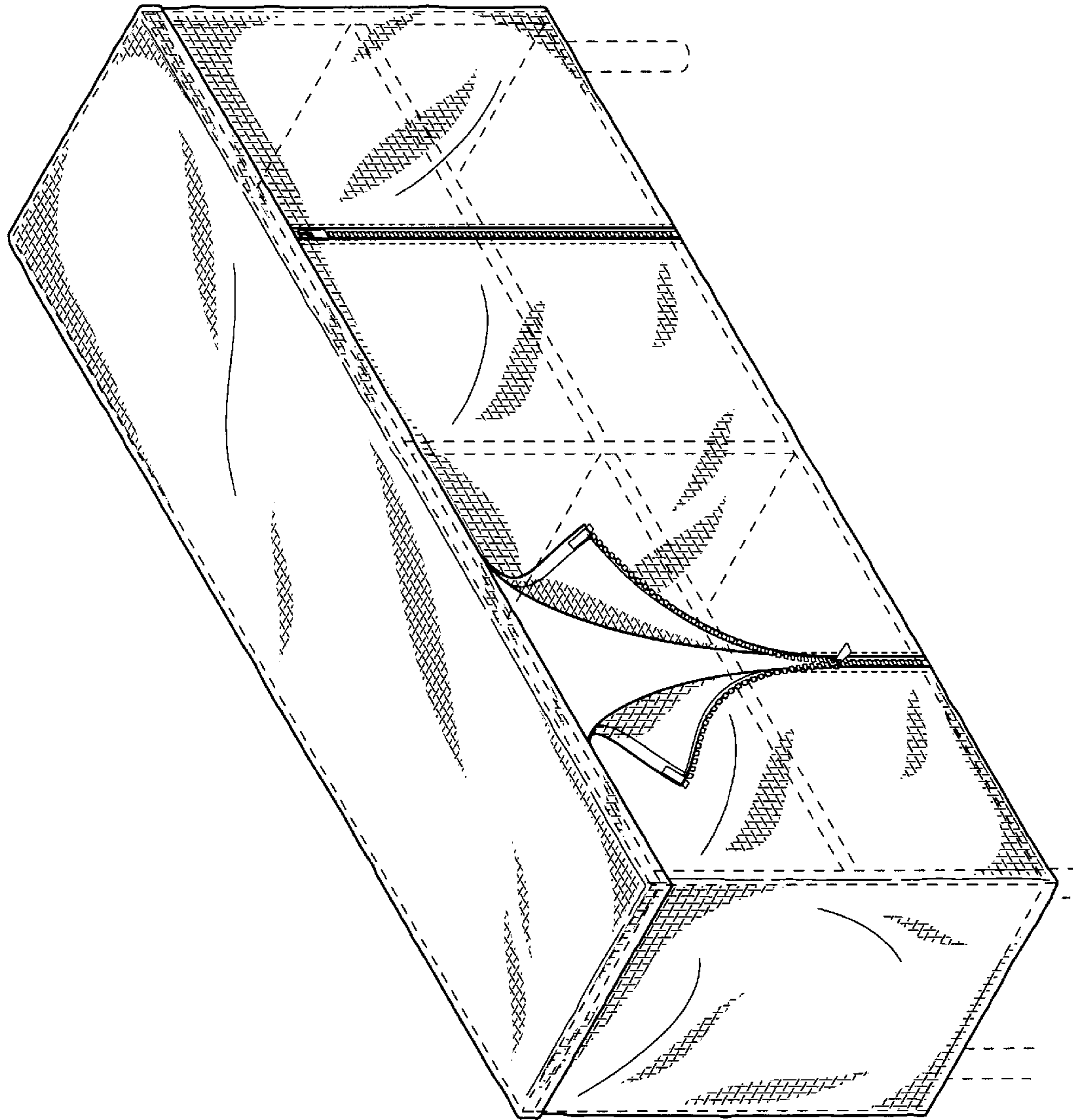


FIG. 8