



US00D481881S

(12) **United States Design Patent**
McDaniel et al.

(10) **Patent No.:** **US D481,881 S**

(45) **Date of Patent:** **** Nov. 11, 2003**

(54) **CHAIR**

D469,267 S * 1/2003 Stanton D6/379

(75) Inventors: **Thomas M. McDaniel**, Morganton, NC (US); **D. Scott Coley**, Morganton, NC (US)

(73) Assignee: **Bernhardt, L.L.C.**, Lenoir, NC (US)

(**) Term: **14 Years**

(21) Appl. No.: **29/169,128**

(22) Filed: **Oct. 15, 2002**

(51) **LOC (7) Cl.** **06-01**

(52) **U.S. Cl.** **D6/379; D6/380**

(58) **Field of Search** D6/334, 370, 374,
D6/379, 380, 500, 501, 502; 297/445.1,
446.1

(56) **References Cited**

U.S. PATENT DOCUMENTS

D233,100 S	*	10/1974	Narisawa	D6/380
D233,383 S	*	10/1974	Ikeda	D6/380
D351,511 S	*	10/1994	Ferguson	D6/379
D396,156 S	*	7/1998	Swy	D6/502
D441,975 S	*	5/2001	McDaniel et al.	D6/379
D445,583 S	*	7/2001	O'Hare et al.	D6/379
D451,694 S	*	12/2001	Vaaler	D6/379
D459,905 S	*	7/2002	Stanton	D6/379
D468,925 S	*	1/2003	Vaaler	D6/379

OTHER PUBLICATIONS

Photocopy of a chair leg, Early English Baroque; date unknown.

Photocopy of a seat; Noce intagliato e scolpito. Meta del see XVIII; date unknown.

Photocopy of a chair back; origin and date unknown.

* cited by examiner

Primary Examiner—Gary D. Watson

(74) *Attorney, Agent, or Firm*—MacCord Mason PLLC

(57) **CLAIM**

The ornamental design for a chair, as shown and described.

DESCRIPTION

FIG. 1 is a perspective view of a chair showing my new design;

FIG. 2 is a front view thereof;

FIG. 3 is a side view, the opposite side being a mirror image thereof;

FIG. 4 is a back view thereof;

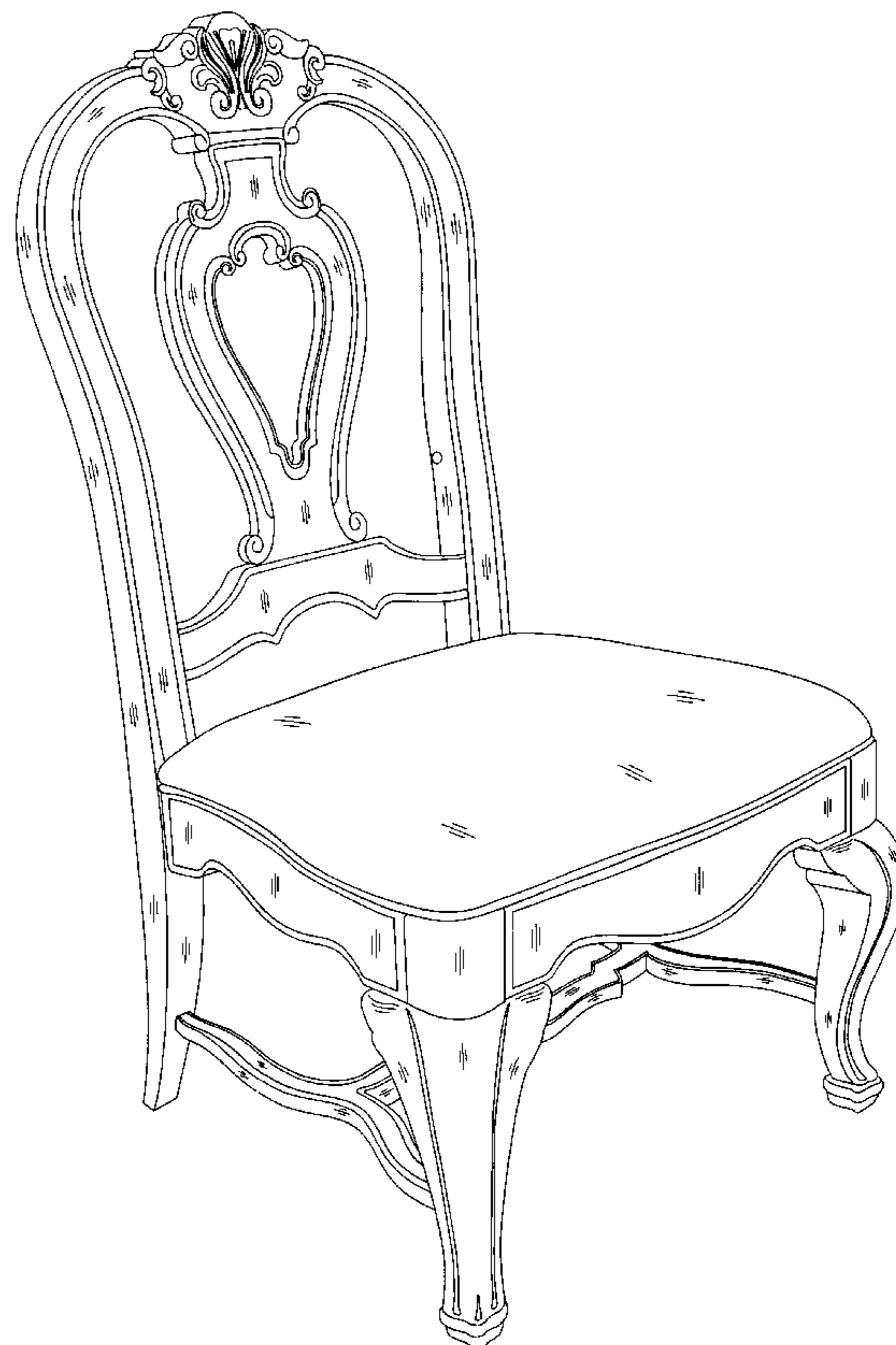
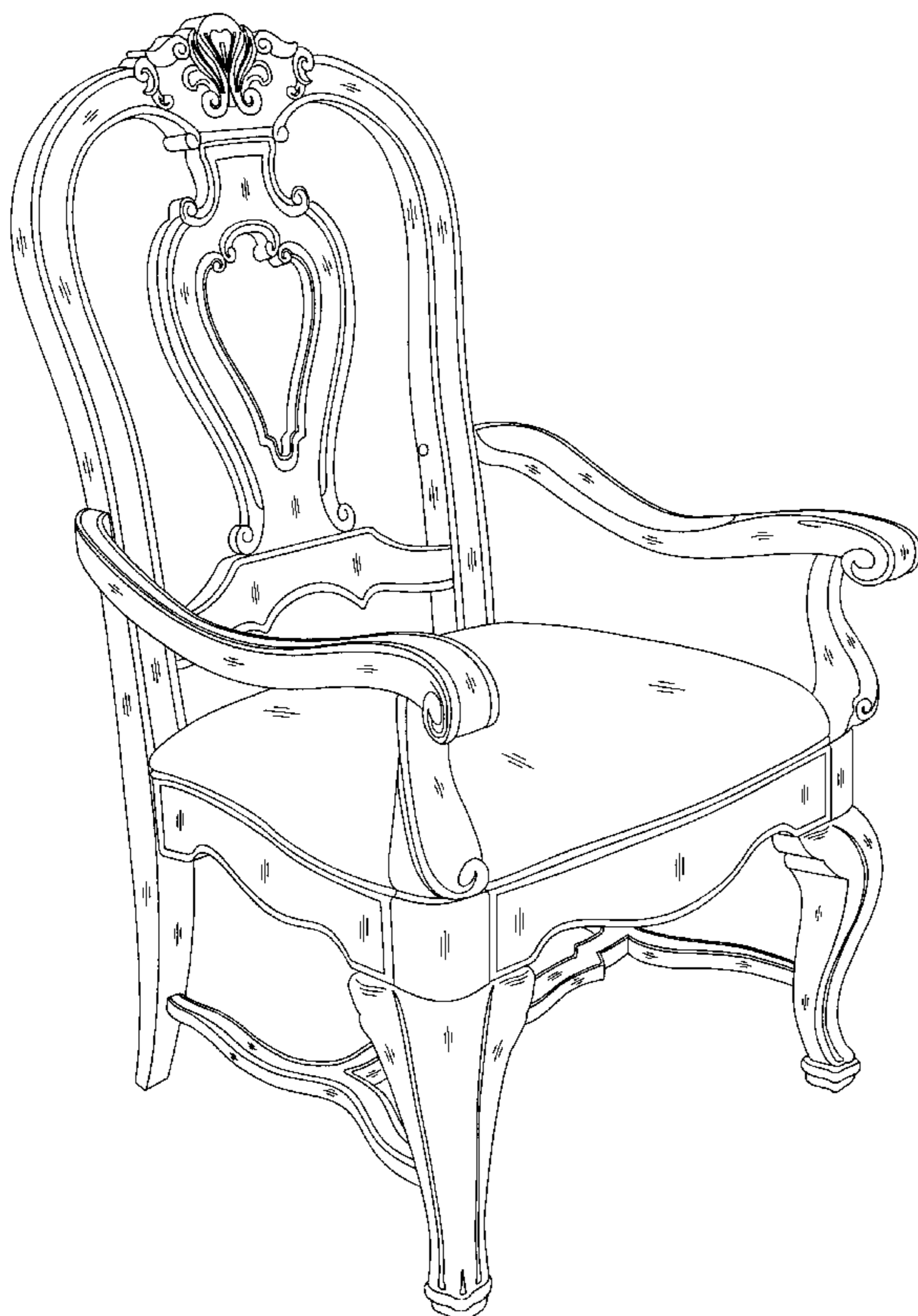
FIG. 5 is a perspective view of a second embodiment;

FIG. 6 is a front view of a second embodiment;

FIG. 7 is a side view of a second embodiment, the opposite side being a mirror image; and,

FIG. 8 is a back view of a second embodiment.

1 Claim, 8 Drawing Sheets



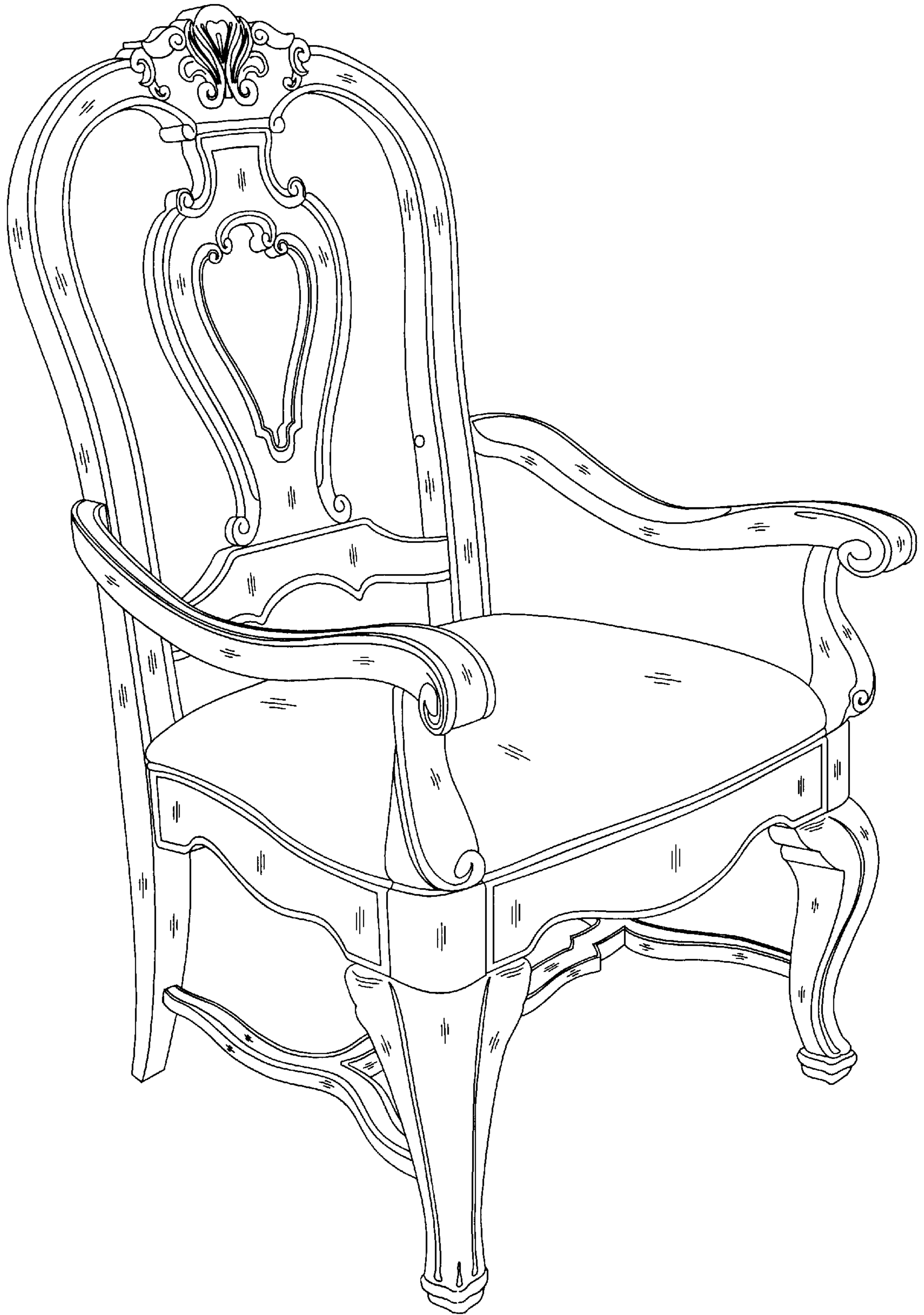


FIG. 1

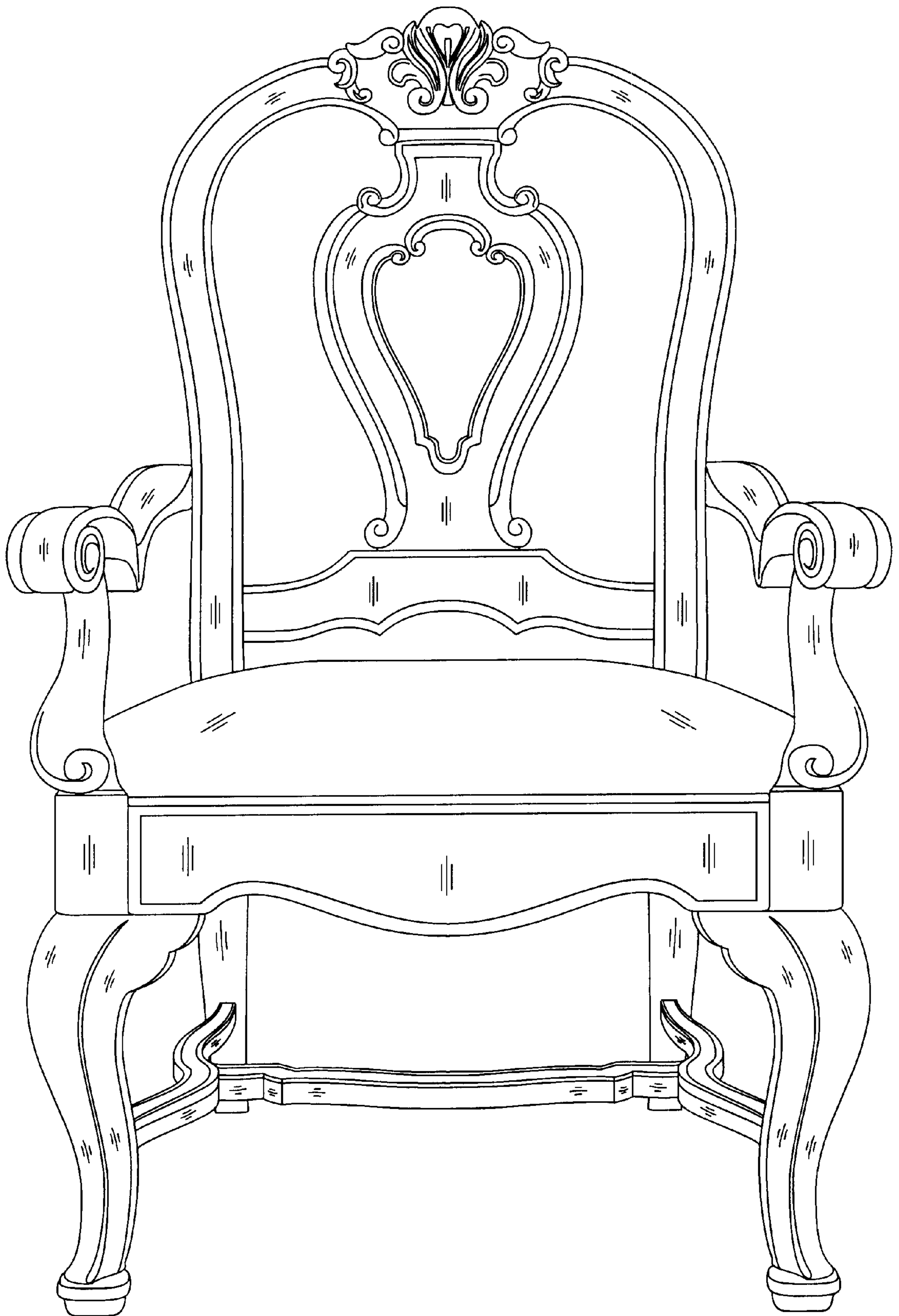


FIG. 2

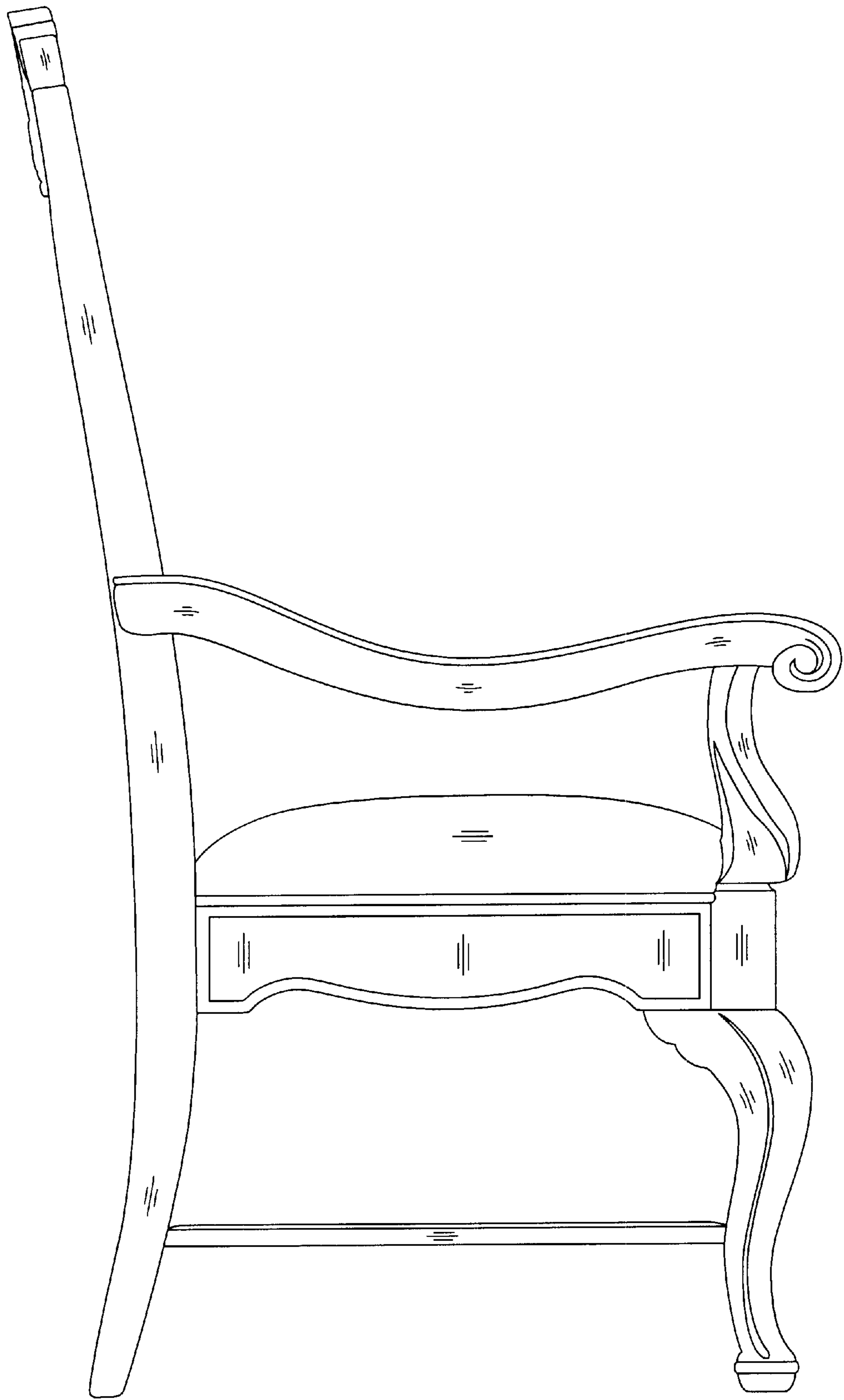


FIG. 3

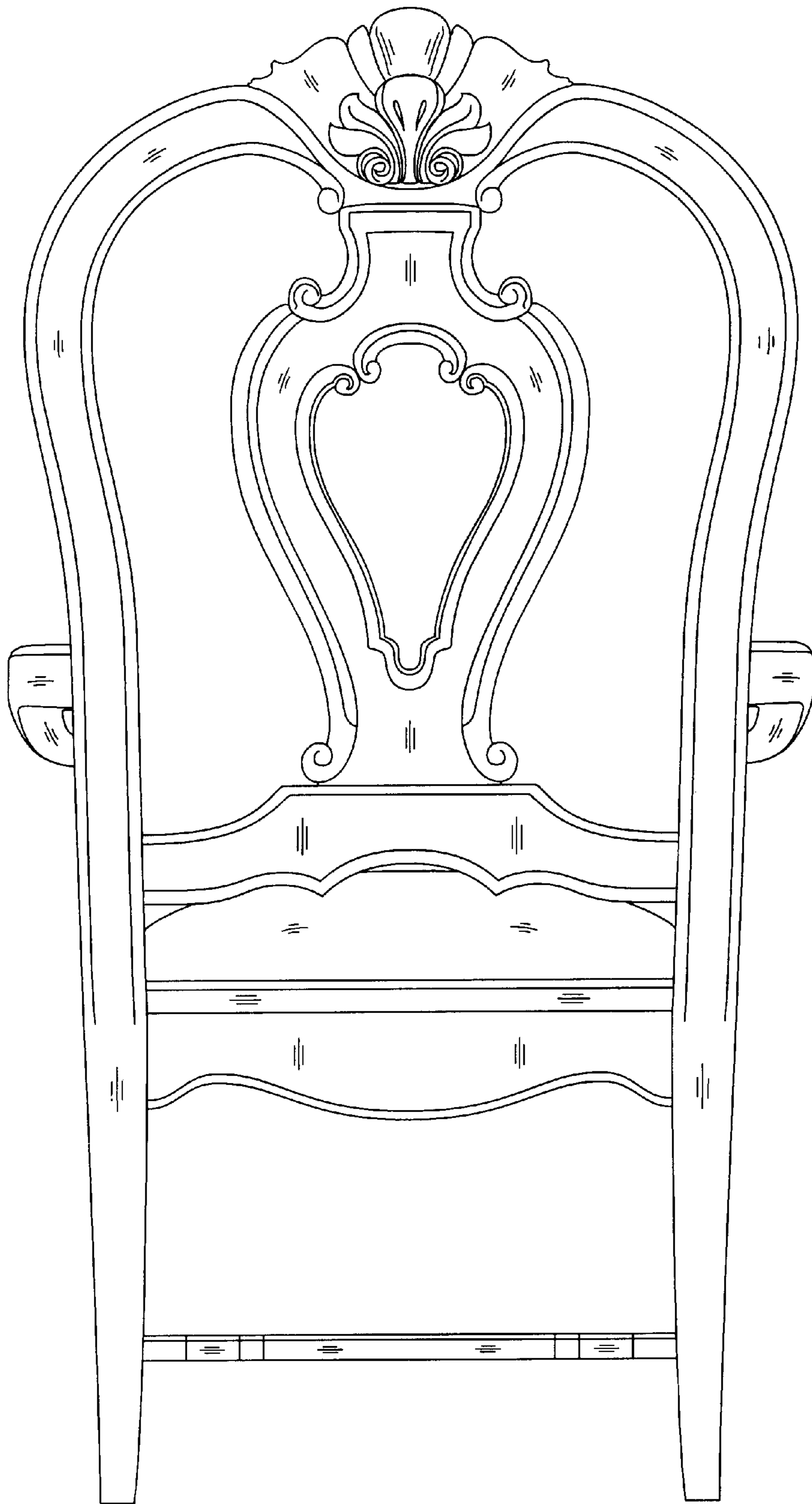


FIG. 4



FIG. 5

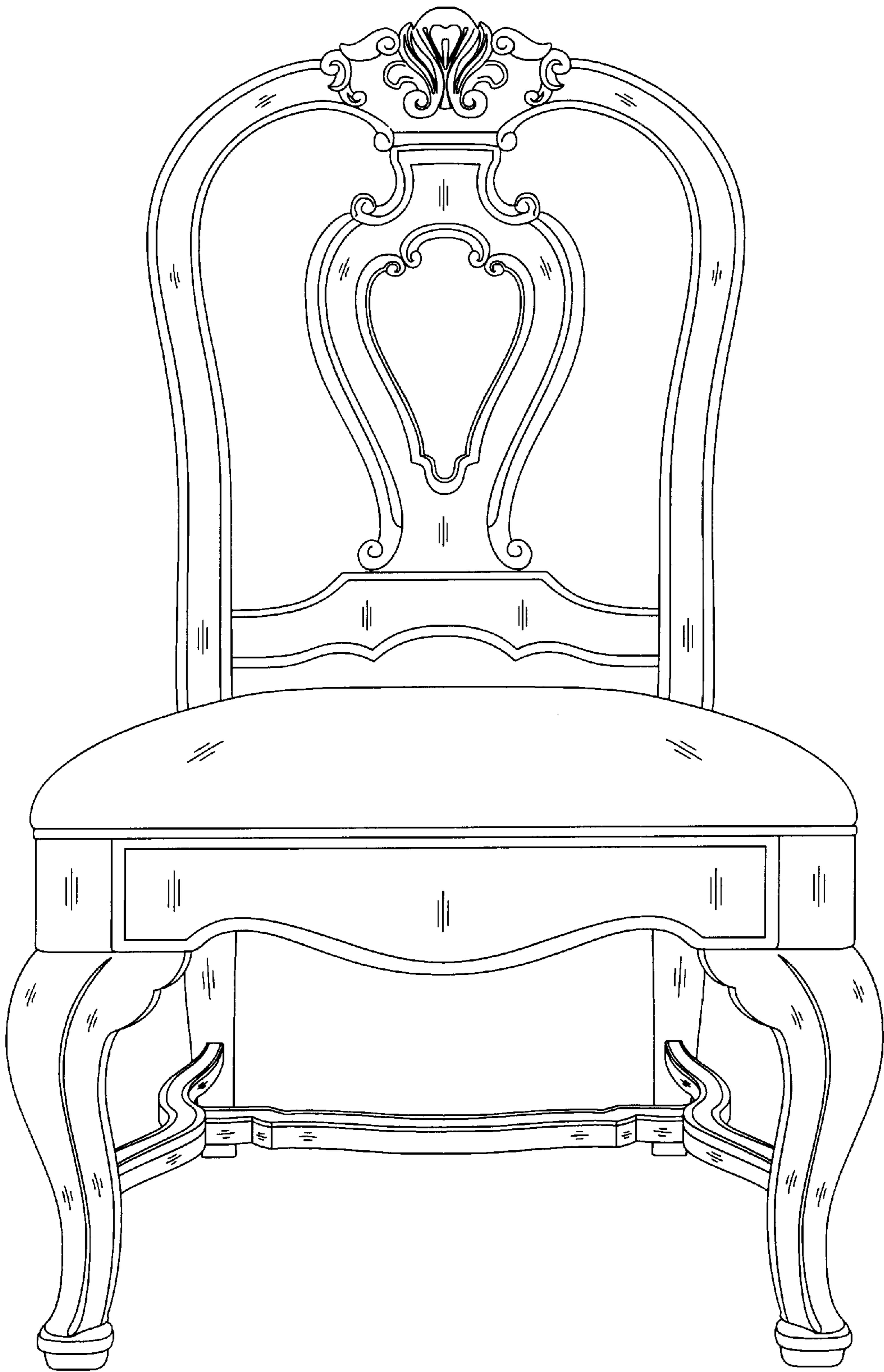


FIG. 6

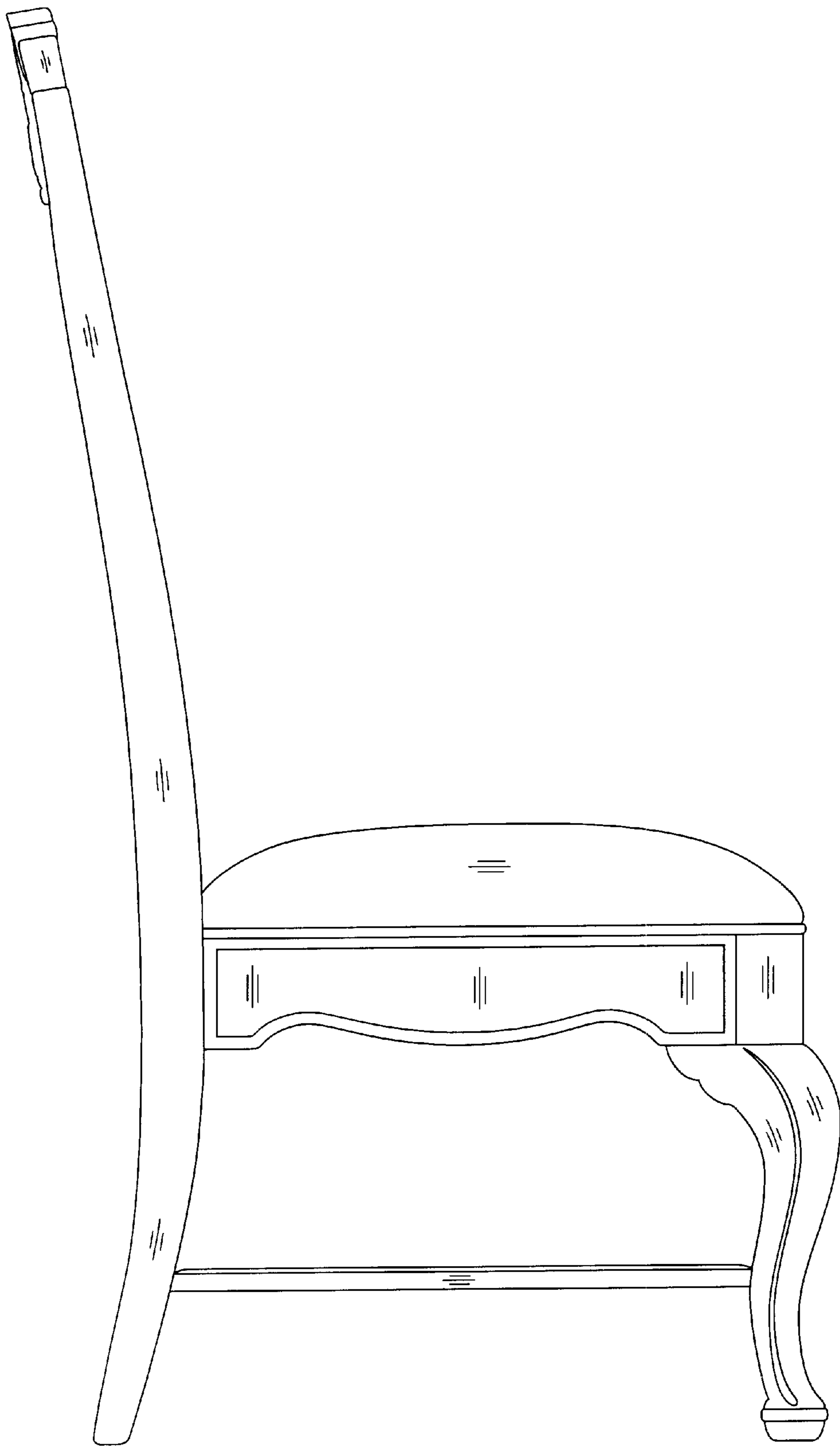


FIG. 7

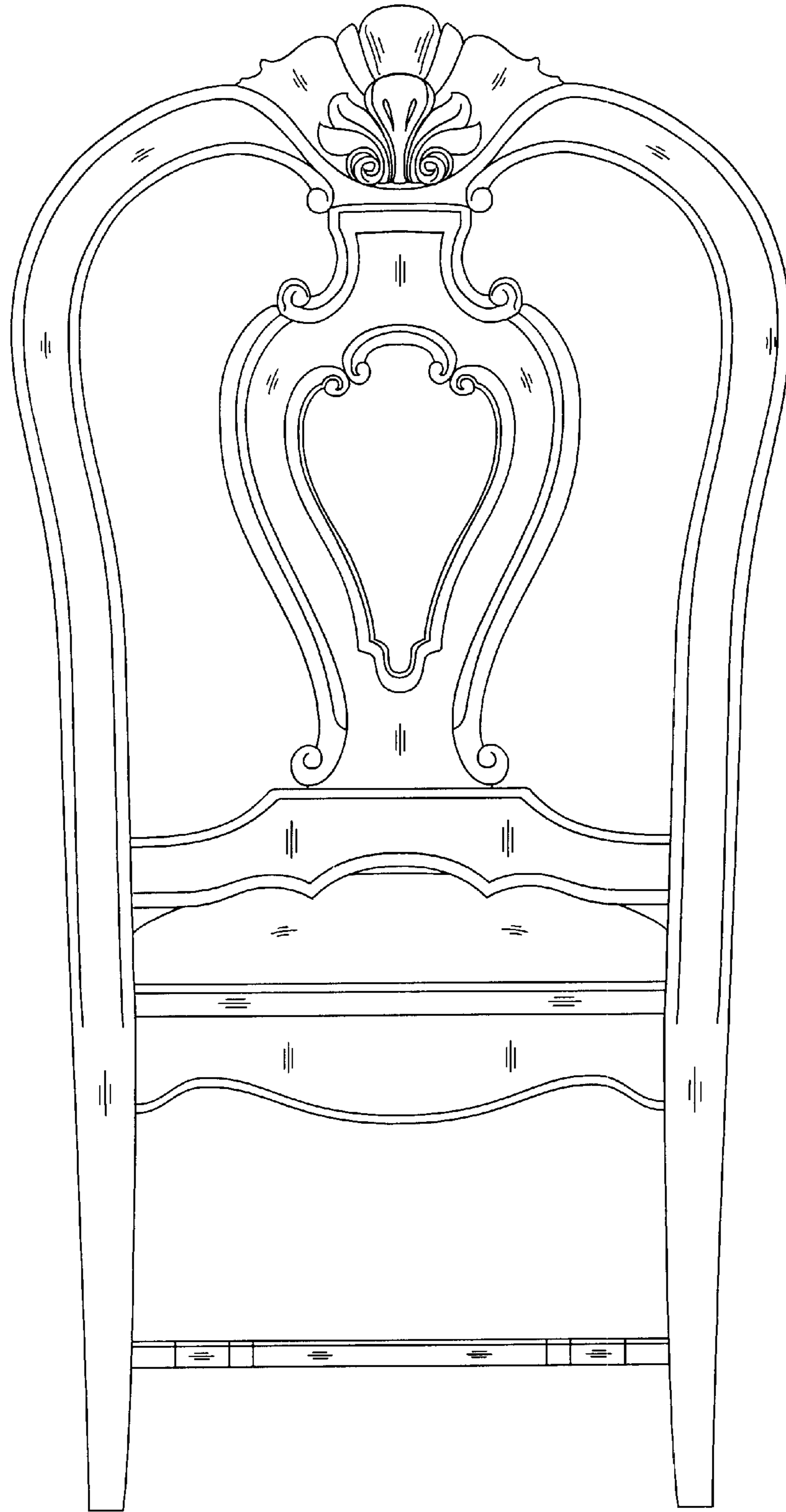


FIG. 8