



US00D481869S

(12) **United States Design Patent**  
**Chan**

(10) **Patent No.:** **US D481,869 S**

(45) **Date of Patent:** **\*\* Nov. 11, 2003**

(54) **TOOL BOX WITH LIGHT**

(76) **Inventor:** **Eddie Man-Ying Chan**, Unit 5, 9/F.,  
Tower B, Hunghom Commercial Centre,  
No. 37 Ma Tau Wai Road, Hunghom,  
Kowloon, H.K. (CN)

(\*\*) **Term:** **14 Years**

(21) **Appl. No.:** **29/173,230**

(22) **Filed:** **Dec. 23, 2002**

(51) **LOC (7) Cl.** ..... **03-01**

(52) **U.S. Cl.** ..... **D3/274; D3/283; D3/905;**  
**D3/276**

(58) **Field of Search** ..... **D3/272, 273, 274,**  
**D3/281, 282, 283, 294, 905; 206/349, 372,**  
**373, 376, 378; 362/154, 156; D26/38**

(56) **References Cited**

**U.S. PATENT DOCUMENTS**

D327,202 S	*	6/1992	Ballard	.....	D7/605
D376,908 S	*	12/1996	Hsu	.....	D3/274
D393,784 S	*	4/1998	Lee	.....	D7/709
D406,558 S	*	3/1999	Pendergraph	.....	D12/413
D412,371 S	*	7/1999	Yuen	.....	D26/38
D414,586 S	*	9/1999	Yuen	.....	D32/38

D419,252 S	*	1/2000	Kit	.....	D26/38
D422,728 S	*	4/2000	Yuen	.....	D26/38
D426,062 S	*	6/2000	Shui-Shang	.....	D3/315
D427,345 S	*	6/2000	Yuen	.....	D26/38
D444,250 S	*	6/2001	Yuen	.....	D26/38
6,267,240 B1	*	7/2001	Callaway	.....	206/373
6,283,292 B1	*	9/2001	Chen	.....	206/373

\* cited by examiner

*Primary Examiner*—Philip S. Hyder

(74) *Attorney, Agent, or Firm*—Alix, Yale & Ristas, LLP

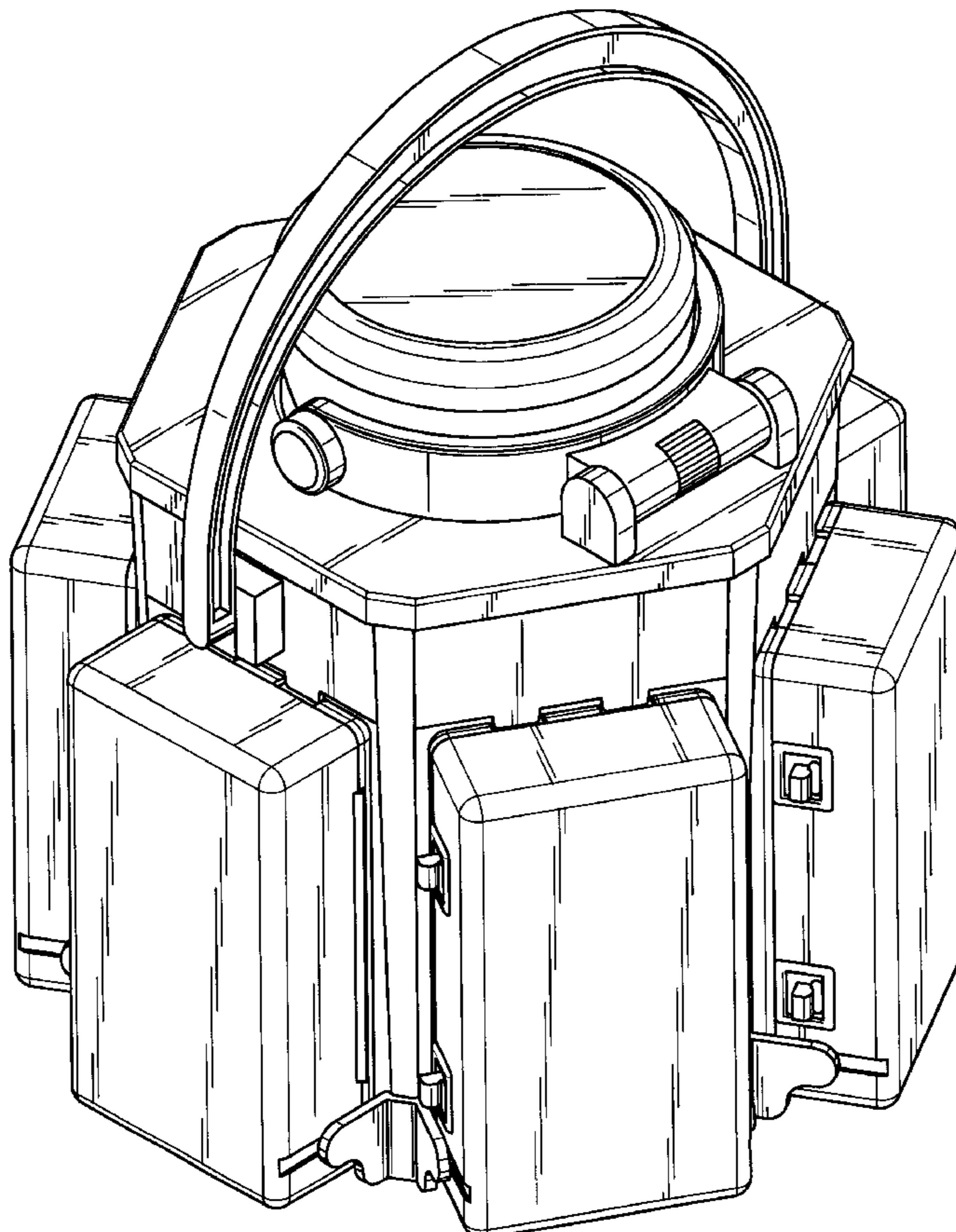
(57) **CLAIM**

The ornamental design for a tool box with light, as shown and described.

**DESCRIPTION**

FIG. 1 is a front perspective view of a tool box with light showing my new design;  
 FIG. 2 is a front elevational view thereof;  
 FIG. 3 is a rear elevational view thereof;  
 FIG. 4 is a left side elevational view thereof;  
 FIG. 5 is a right side elevational view thereof;  
 FIG. 6 is a top plan view thereof; and,  
 FIG. 7 is a bottom plan view thereof.

**1 Claim, 7 Drawing Sheets**



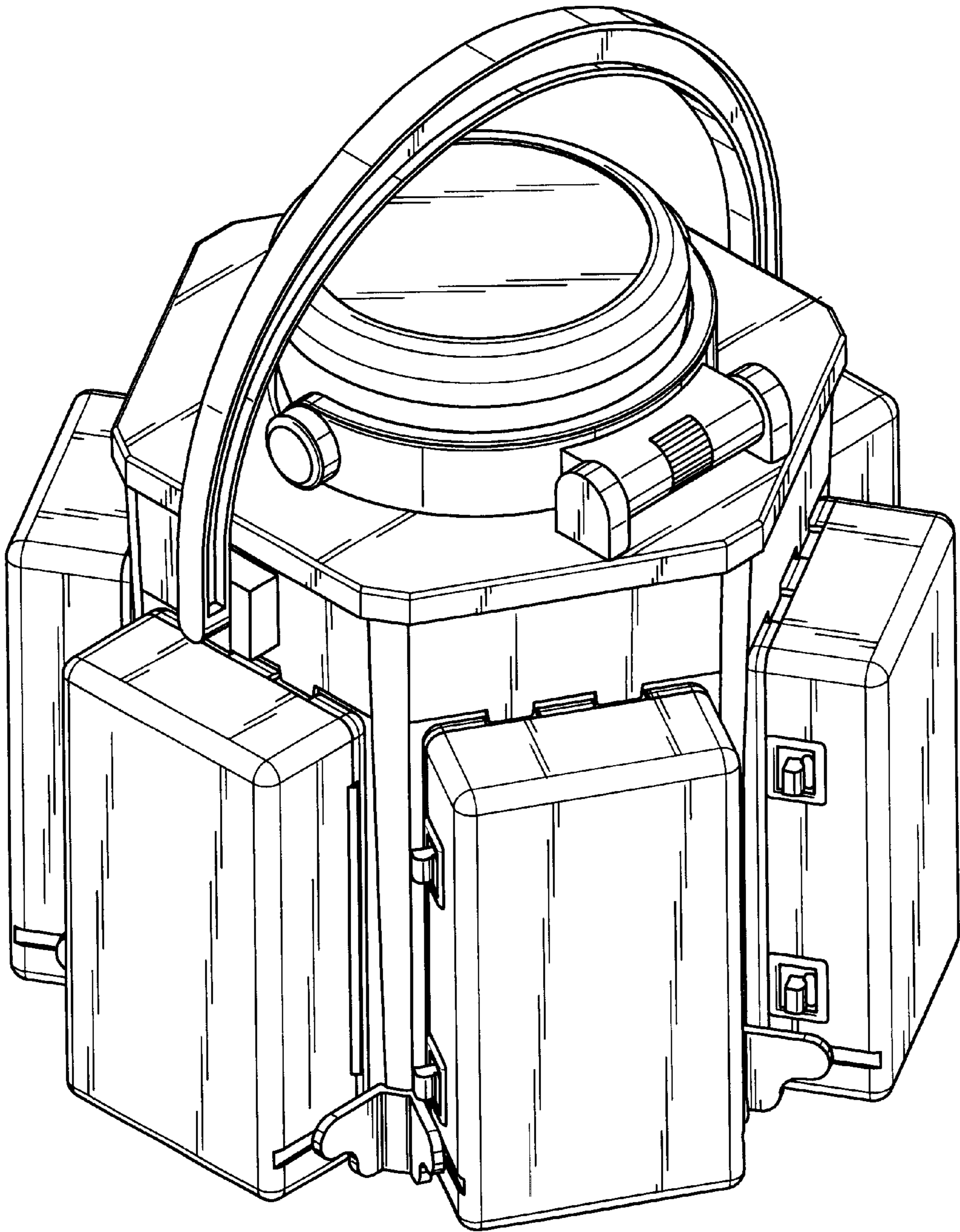


FIG. 1

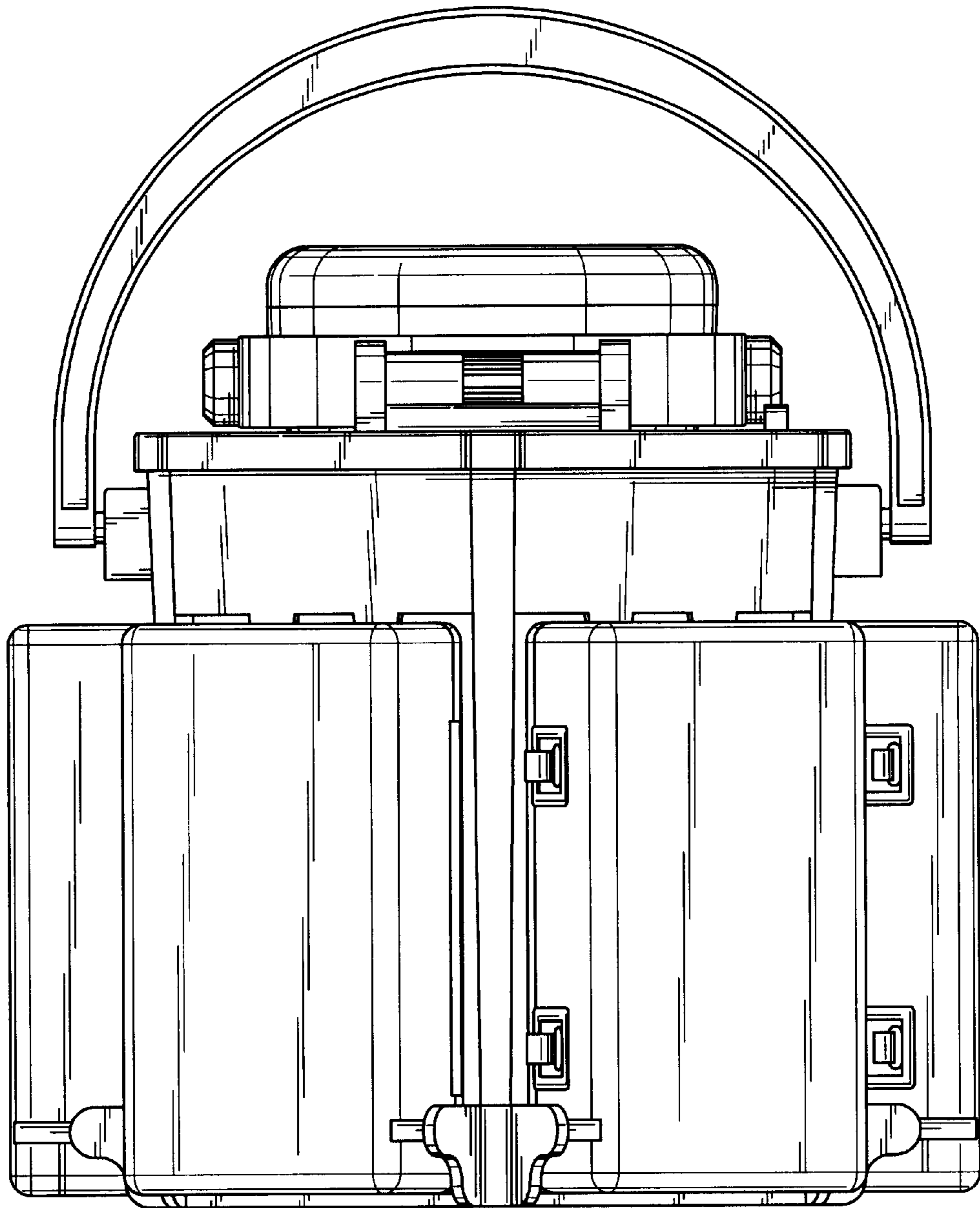


FIG. 2

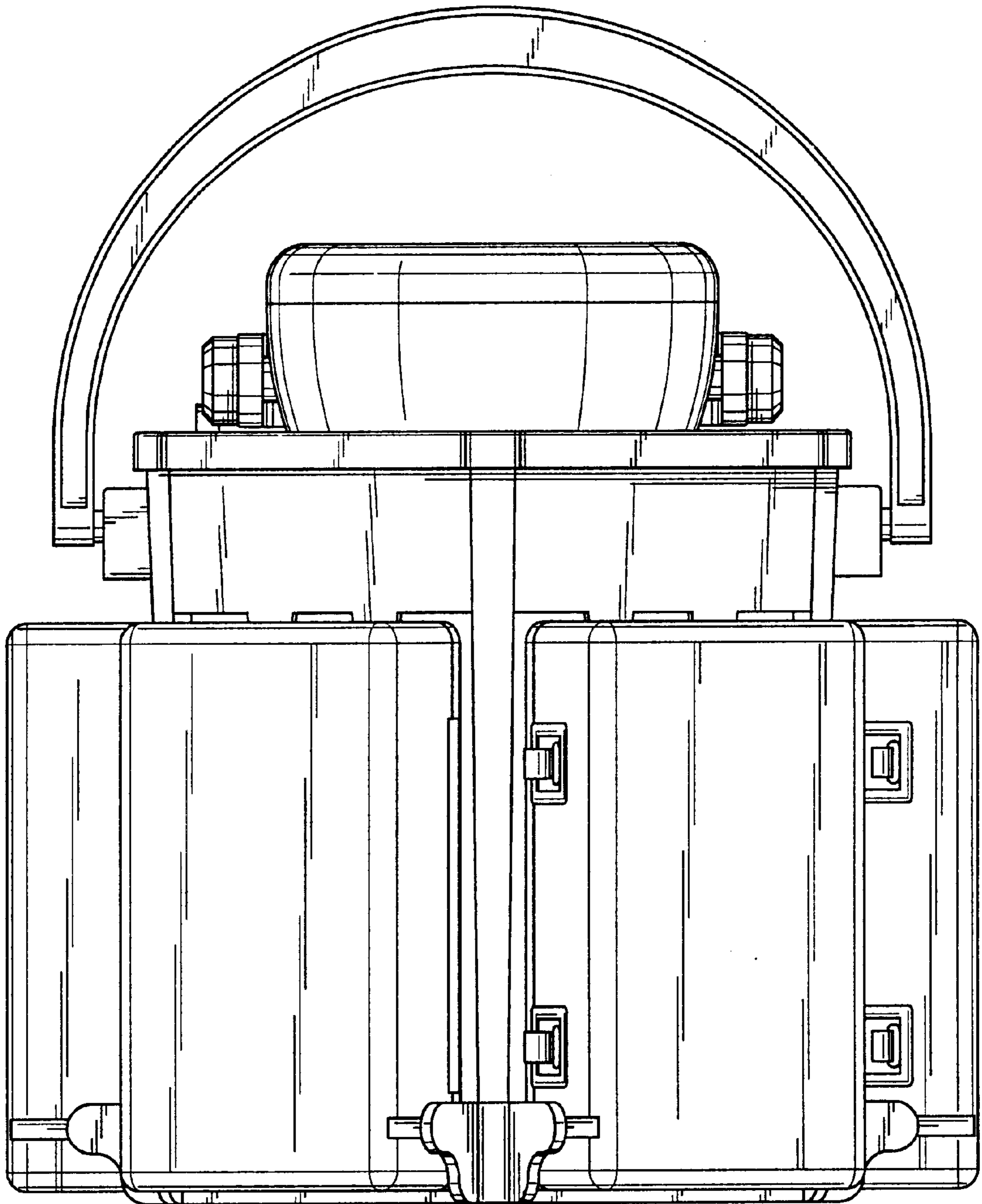


FIG. 3

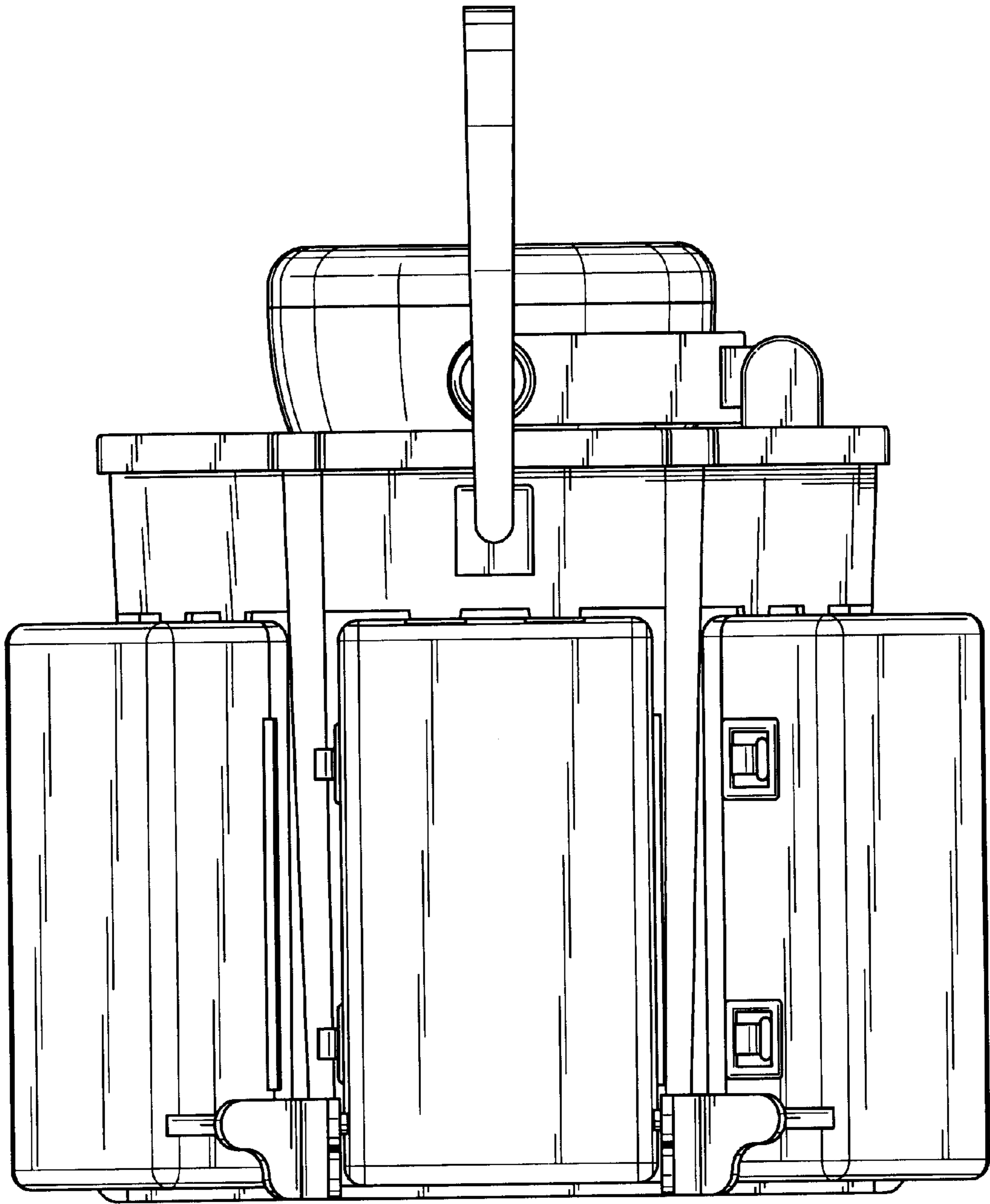


FIG. 4

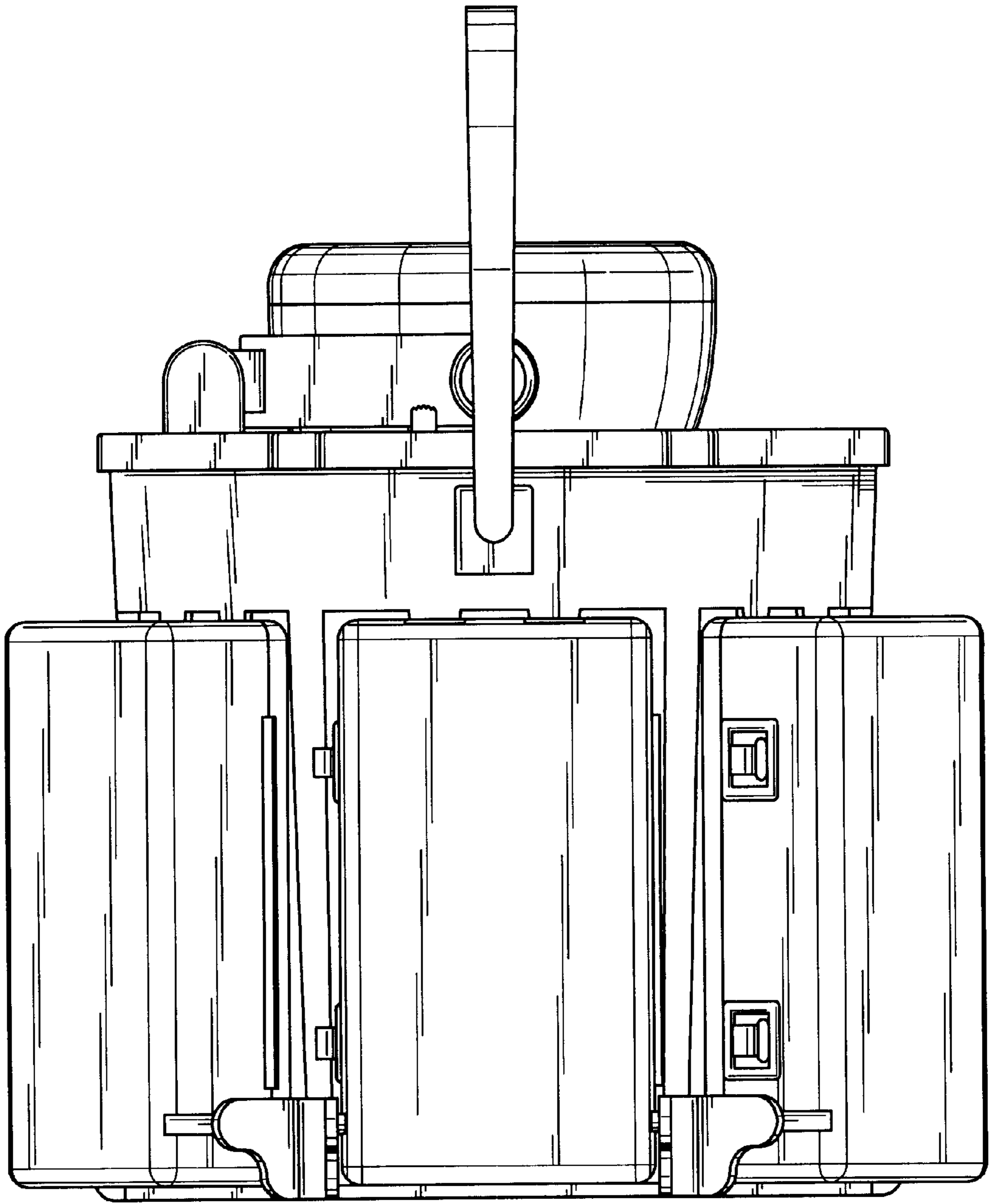


FIG. 5

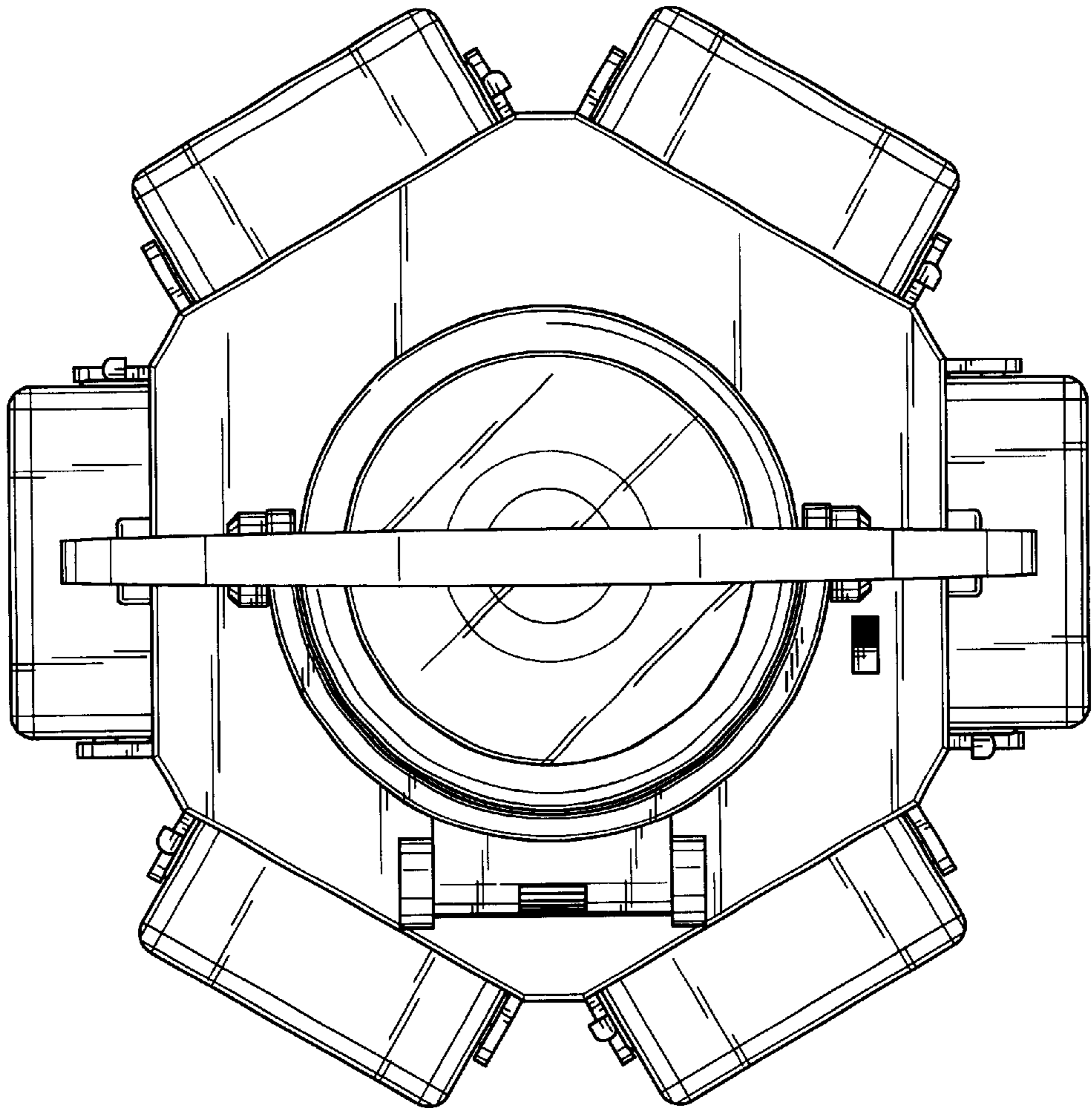


FIG. 6

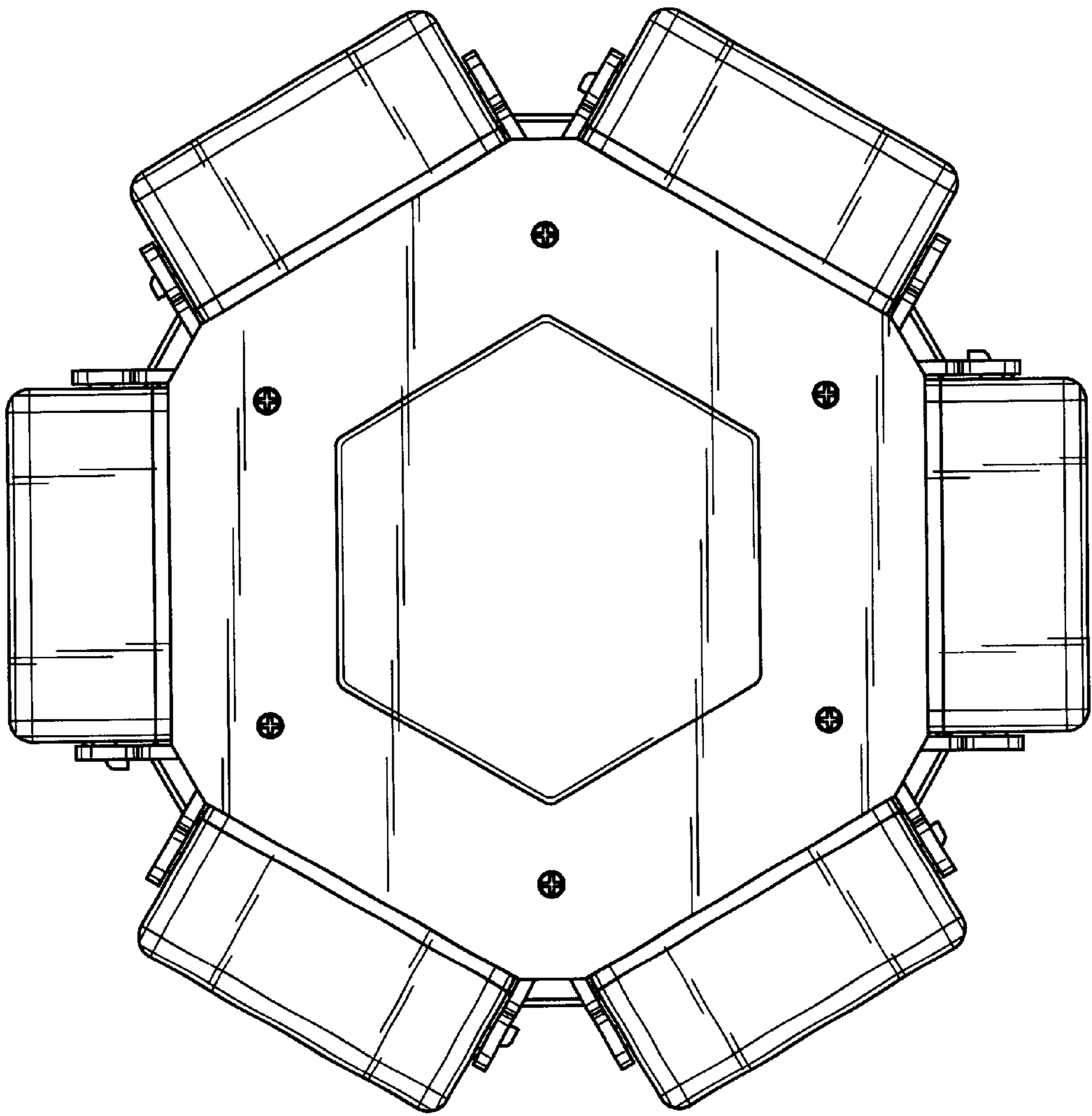


FIG. 7