



US00D481868S

(12) **United States Design Patent**
Cunningham et al.

(10) **Patent No.:** **US D481,868 S**

(45) **Date of Patent:** **** Nov. 11, 2003**

- (54) **DRILL BIT CASE**
- (75) Inventors: **Ian W. Cunningham**, Matthews, NC
(US); **Kristofor M. Hallee**,
Huntersville, NC (US)
- (73) Assignee: **Irwin Industrial Tool Company**,
Freeport, IL (US)
- (**) Term: **14 Years**
- (21) Appl. No.: **29/168,438**
- (22) Filed: **Oct. 2, 2002**
- (51) **LOC (7) Cl.** **03-01**
- (52) **U.S. Cl.** **D3/273; D3/294; D3/905**
- (58) **Field of Search** **D3/273, 276, 281,**
D3/282, 294, 295, 302, 905; D9/420, 423,
424; 206/349, 372, 373, 377, 378, 379

- D264,396 S 5/1982 Harvey et al.
- 4,340,140 A 7/1982 Wilcox et al. 206/373
- D269,648 S 7/1983 Wilcox et al.
- D277,339 S 1/1985 Huot, Jr. et al.
- 4,576,307 A 3/1986 Frydenberg 220/324
- 4,615,464 A 10/1986 Byrns 220/469
- D287,906 S 1/1987 Tsuji et al.
- D291,946 S 9/1987 Dottori et al.
- 4,828,113 A 5/1989 Friedland et al. 206/570
- 4,958,732 A 9/1990 Rau et al. 206/379
- D311,644 S 10/1990 Chapin et al.
- 4,974,740 A 12/1990 Niles et al. 230/324
- D314,669 S 2/1991 Kunimune
- 5,031,768 A 7/1991 Fischer 206/370
- 5,114,007 A 5/1992 Chen 206/373
- D328,189 S 7/1992 Hillinger
- 5,133,455 A 7/1992 Chow 206/374
- D329,331 S 9/1992 Hobson
- 5,172,810 A 12/1992 Brewer 206/369
- D343,063 S 1/1994 Chen
- D343,120 S 1/1994 Lapsker et al. D9/423

(56) **References Cited**

U.S. PATENT DOCUMENTS

- 1,342,364 A 6/1920 Wikstrom
- 1,927,110 A 9/1933 Bannister et al.
- 1,930,617 A 10/1933 Huot
- 2,305,021 A 12/1942 Meier
- 2,437,595 A 3/1948 Douglass
- 2,487,174 A 11/1949 Petre
- 2,508,951 A 5/1950 Kazimier
- D167,868 S 9/1952 Selikoff et al.
- D178,627 S 9/1956 Baratelli et al.
- D183,777 S 10/1958 Weiss
- 3,018,876 A 1/1962 Huot
- 3,074,539 A 1/1963 Rogovin
- 3,154,192 A 10/1964 Cowley
- 3,346,137 A 10/1967 Ricci
- 3,370,697 A 2/1968 Levey et al.
- 3,426,890 A 2/1969 Bayer
- 3,499,525 A 3/1970 Kanter
- 3,583,556 A 6/1971 Wagner
- D221,317 S 7/1971 Muller
- D229,366 S 11/1973 Yonce
- 4,048,051 A 9/1977 Gretz
- 4,216,862 A 8/1980 Daenen 206/541
- 4,260,057 A 4/1981 Wall-Andersen 206/379

(List continued on next page.)

FOREIGN PATENT DOCUMENTS

DE 1 085 810 7/1960

Primary Examiner—Philip S. Hyder
(74) *Attorney, Agent, or Firm*—Brinks Hofer Gilson & Lione

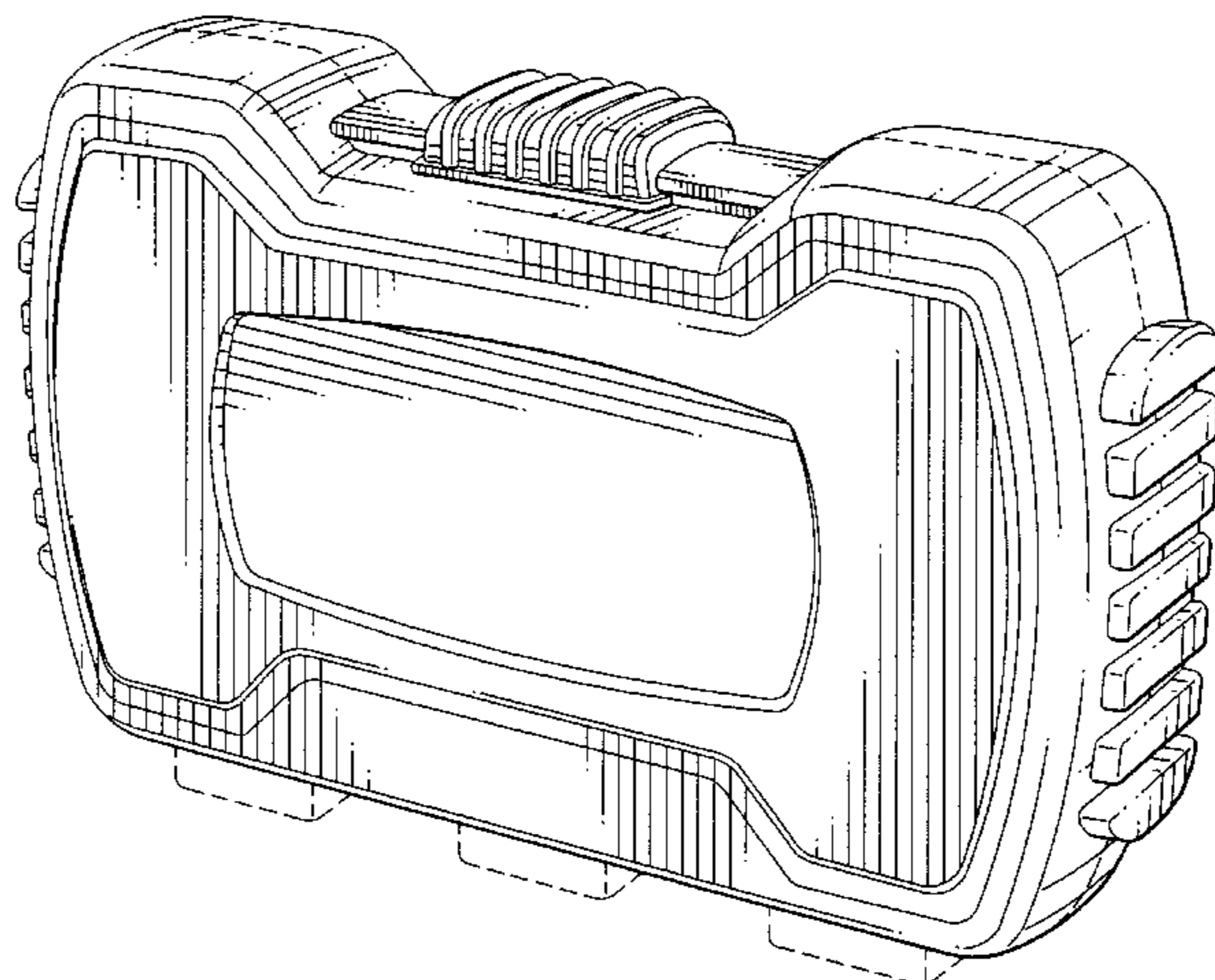
(57) **CLAIM**

The ornamental design for a drill bit case, as shown and described.

DESCRIPTION

FIG. 1 is a perspective view of an embodiment of the drill bit case;
FIG. 2 is a top view of the embodiment of FIG. 1;
FIG. 3 is a bottom view of the embodiment of FIG. 1;
FIG. 4 is a side view of the embodiment of FIG. 1; and,
FIG. 5 is a front view of the embodiment of FIG. 1.
The dotted lines indicate components for illustrative purposes only and form no part of the subject design.

1 Claim, 5 Drawing Sheets



US D481,868 S

Page 2

U.S. PATENT DOCUMENTS

D345,650 S	4/1994	Boyd	D12/423	D382,709 S	8/1997	Cuneo	D3/282
D347,114 S	5/1994	Tengvall	D3/281	D385,109 S	10/1997	Staheli	D3/281
5,341,926 A	8/1994	Leben	206/307	5,676,254 A	10/1997	Cheng et al.	206/751
5,368,164 A	11/1994	Bennett et al.	206/373	D394,952 S	6/1998	Wei	D3/273
D356,891 S	4/1995	Hobson	D3/294	5,803,254 A	9/1998	Vasudeva	206/373
D358,257 S	5/1995	Sidabras et al.	D3/282	5,826,719 A	10/1998	Chen	206/373
5,429,235 A	7/1995	Chen	206/373	D400,709 S	11/1998	Chang	D3/294
5,433,929 A	7/1995	Riihimaki et al.	422/297	5,887,715 A	3/1999	Vasudeva	206/373
5,525,314 A	6/1996	Hurson	422/300	D418,977 S	1/2000	Streich	D3/273
5,526,929 A	6/1996	Wei	206/378	6,024,218 A	2/2000	Knoblauch	206/379
D374,988 S	10/1996	Hillinger	D3/294	6,032,796 A	3/2000	Hopper et al.	206/377
5,562,208 A	10/1996	Hasler et al.	206/373	D434,561 S	12/2000	Vasudeva	D3/282
5,570,784 A	11/1996	Sidabras et al.	206/378	D437,684 S *	2/2001	Streich et al.	D3/273
D379,715 S	6/1997	Yemini	D3/282	6,213,296 B1	4/2001	Streich et al.	206/373
5,638,838 A	6/1997	Lombardi	132/294	D447,634 S *	9/2001	Snider	D3/294
5,641,066 A	6/1997	Mascaro	206/372	D448,167 S *	9/2001	Pangerc et al.	D3/294
D382,115 S	8/1997	Chang	D3/282	D449,931 S *	11/2001	Snider	D3/294

* cited by examiner

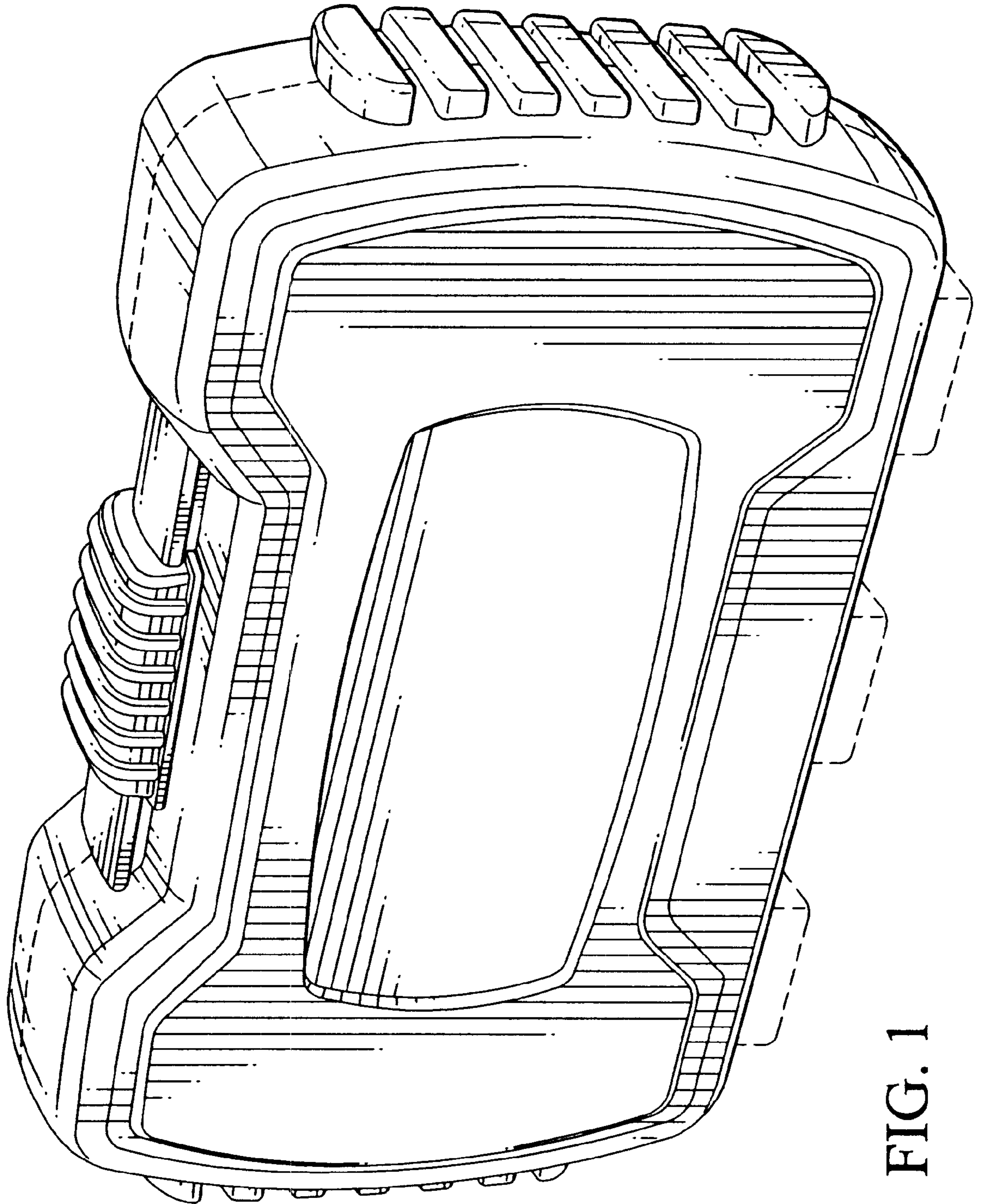


FIG. 1

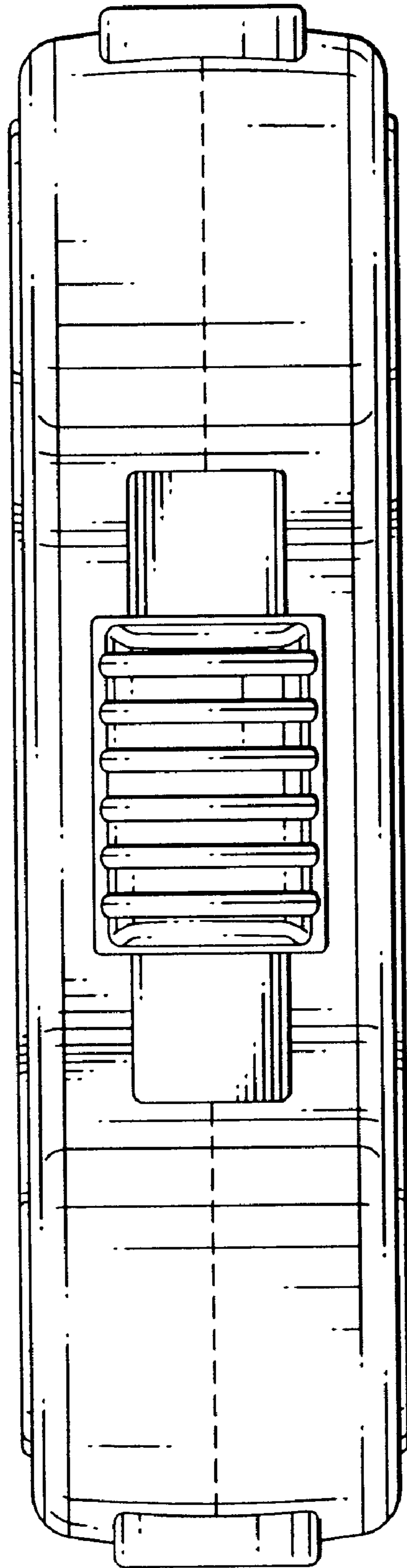


FIG. 2

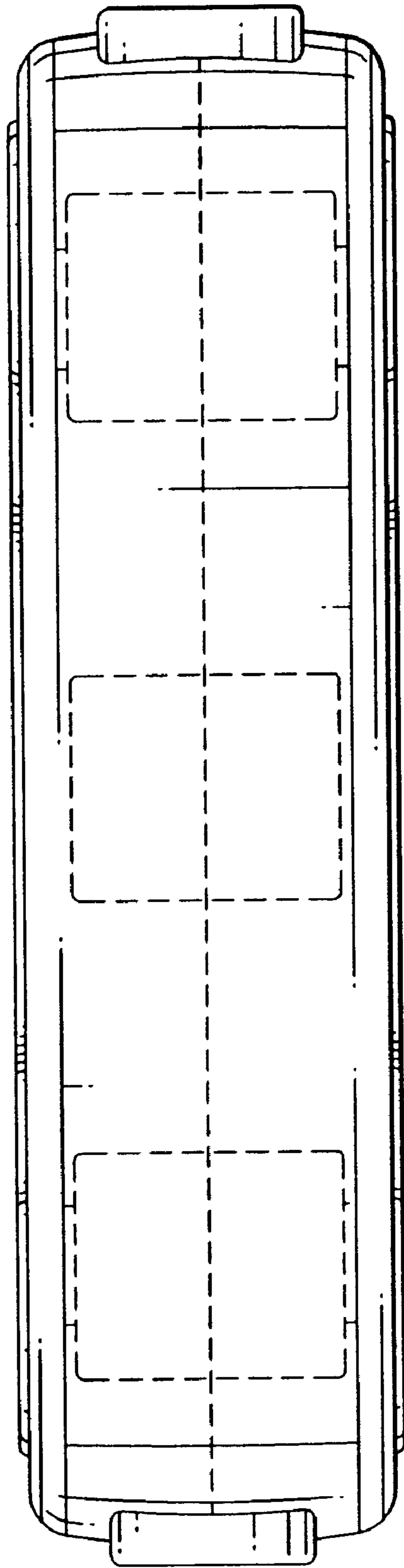


FIG. 3

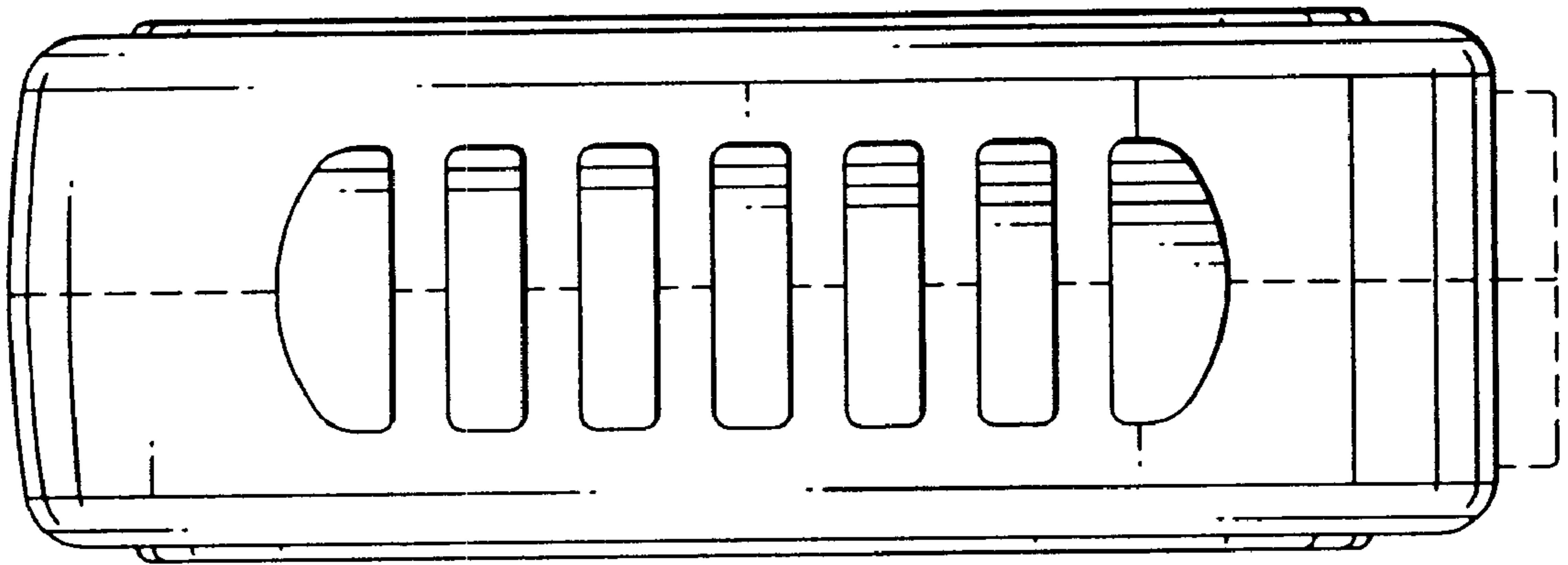


FIG. 4

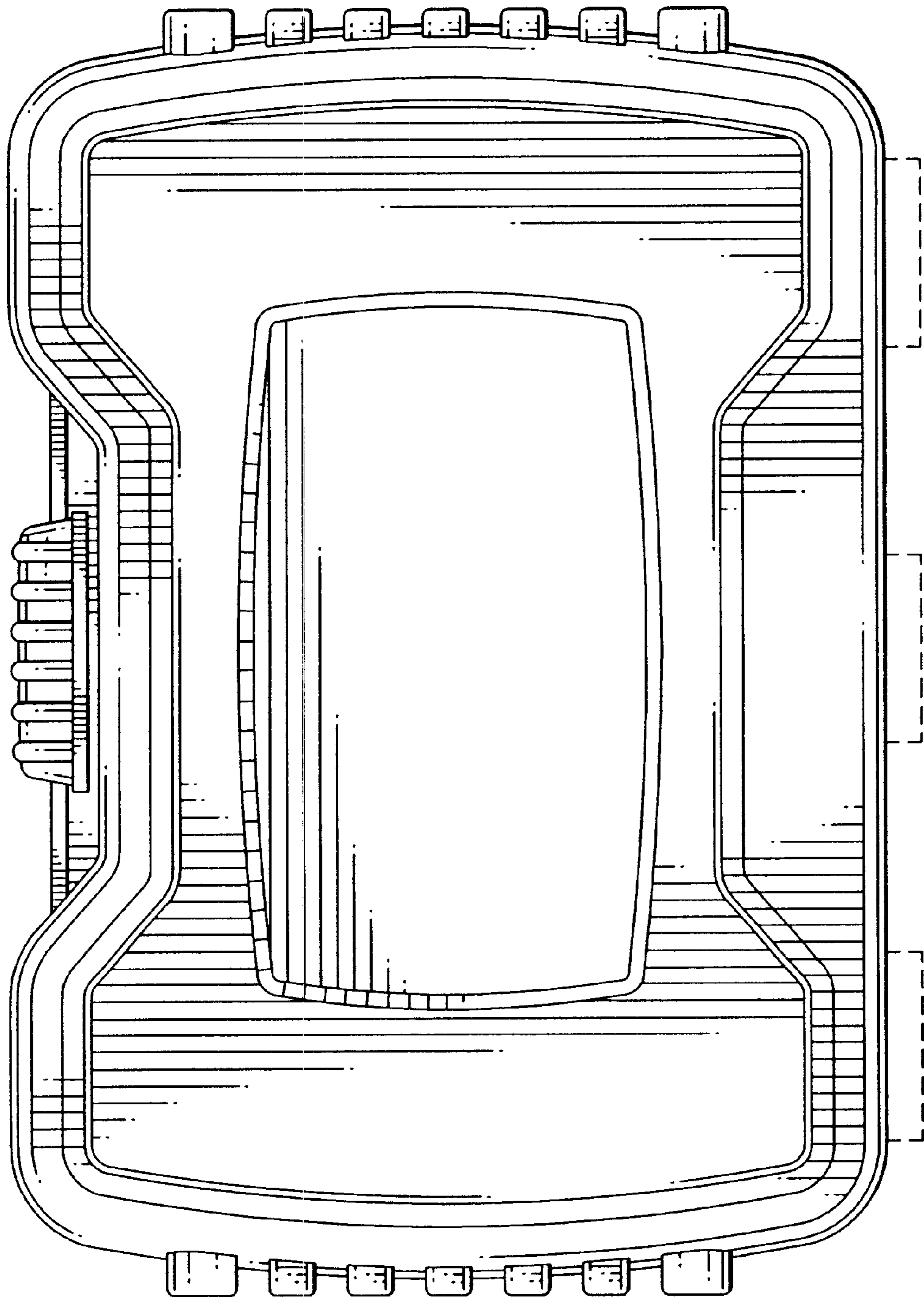


FIG. 5