



US00D481850S

(12) **United States Design Patent**
Magee et al.

(10) **Patent No.:** **US D481,850 S**

(45) **Date of Patent:** **** Nov. 4, 2003**

(54) **AUTOMATED TELLER MACHINE MEDIA CASSETTE**

(75) **Inventors:** **Paul D. Magee**, North Canton, OH (US); **David A. Barker**, North Canton, OH (US); **Jeff Geither**, North Ridgeville, OH (US); **Eric S. VanKeulen**, North Canton, OH (US); **Jon E. Washington**, Clinton, OH (US)

(73) **Assignee:** **Diebold Self Service Systems, a division of Diebold, Incorporated**, North Canton, OH (US)

(**) **Term:** **14 Years**

(21) **Appl. No.:** **29/172,909**

(22) **Filed:** **Dec. 18, 2002**

(51) **LOC (7) Cl.** **03-01**

(52) **U.S. Cl.** **D99/28**

(58) **Field of Search** D99/28, 34, 35, D99/43; 70/432, 315, 304, 276, 287, 63, 58, 57.1; 109/45-46, 48-49, 50; D3/272, 273, 281, 282, 291, 294, 295

(56) **References Cited**

U.S. PATENT DOCUMENTS

D274,858 S * 7/1984 Brush et al. D99/28

D291,139 S * 7/1987 Warwicker D99/28
D374,347 S * 10/1996 Burns et al. D3/282
D376,246 S * 12/1996 Sugawara et al. D99/28
D385,674 S * 10/1997 Sugawara et al. D99/28
D386,307 S * 11/1997 Naas et al. D3/294
D399,632 S * 10/1998 Davis et al. D99/28
6,065,408 A * 5/2000 Tillim et al. 109/45 X
D439,390 S * 3/2001 Nottingham et al. D99/34
D474,596 S * 5/2003 Osiecki et al. D3/273

* cited by examiner

Primary Examiner—Paula A. Mortimer

(74) *Attorney, Agent, or Firm*—Ralph E. Jocke; Walker & Jocke

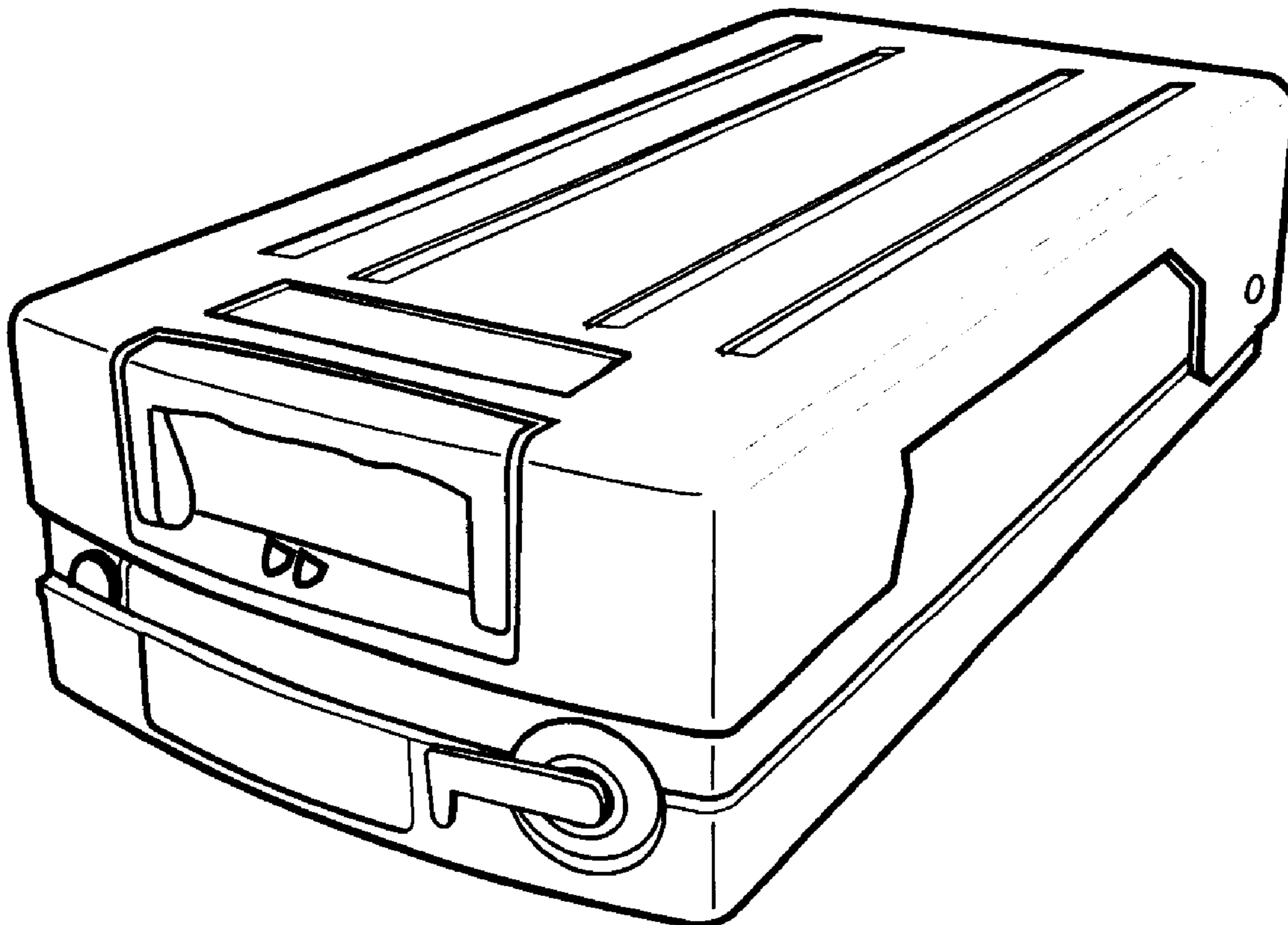
(57) **CLAIM**

We claim the ornamental design for automated teller machine media cassette, as shown.

DESCRIPTION

FIG. 1 is a front right perspective view;
FIG. 2 is a rear left perspective view;
FIG. 3 is a right side view;
FIG. 4 is a left side view;
FIG. 5 is a top view;
FIG. 6 is a front view; and,
FIG. 7 is a rear view.

1 Claim, 3 Drawing Sheets



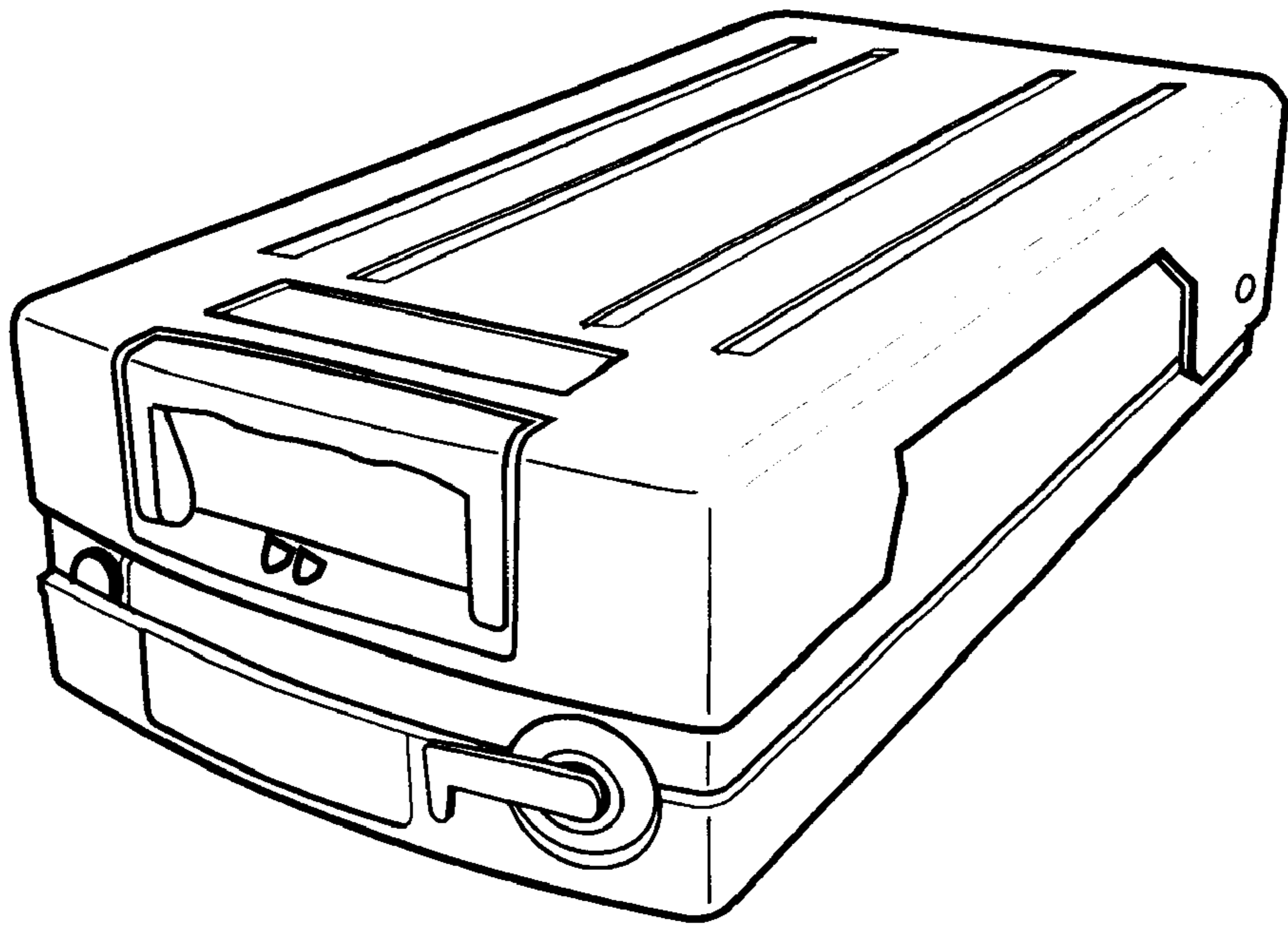


Fig. 1

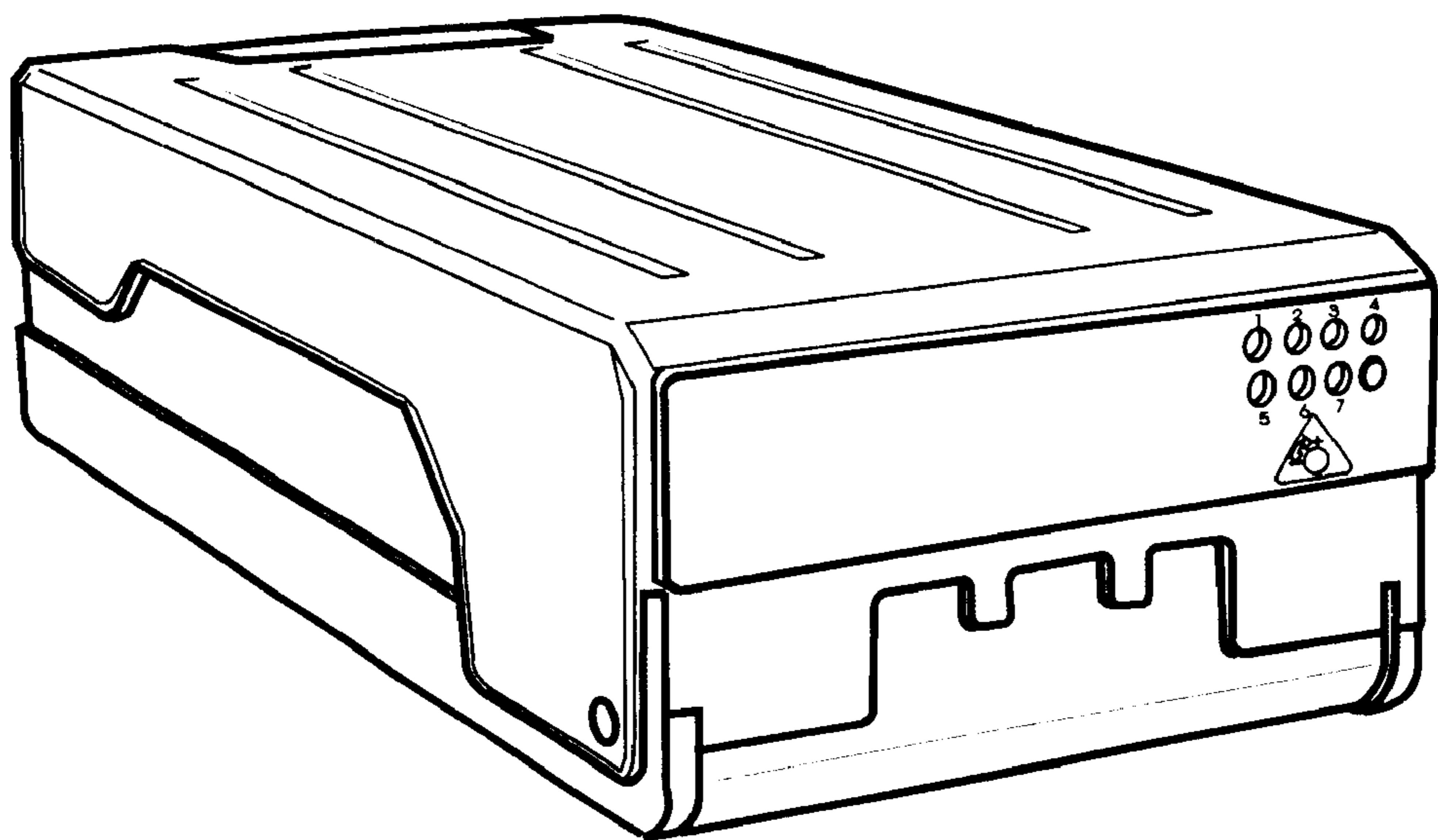


Fig. 2

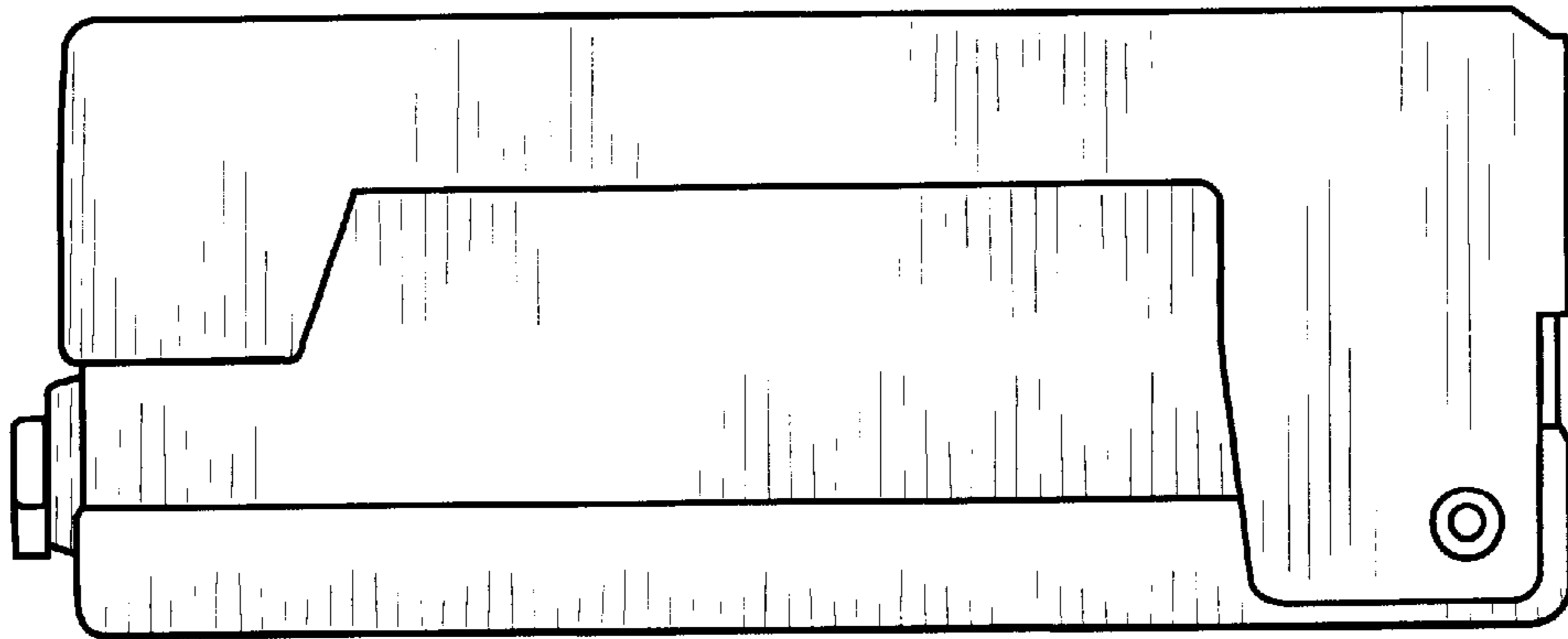


Fig. 3

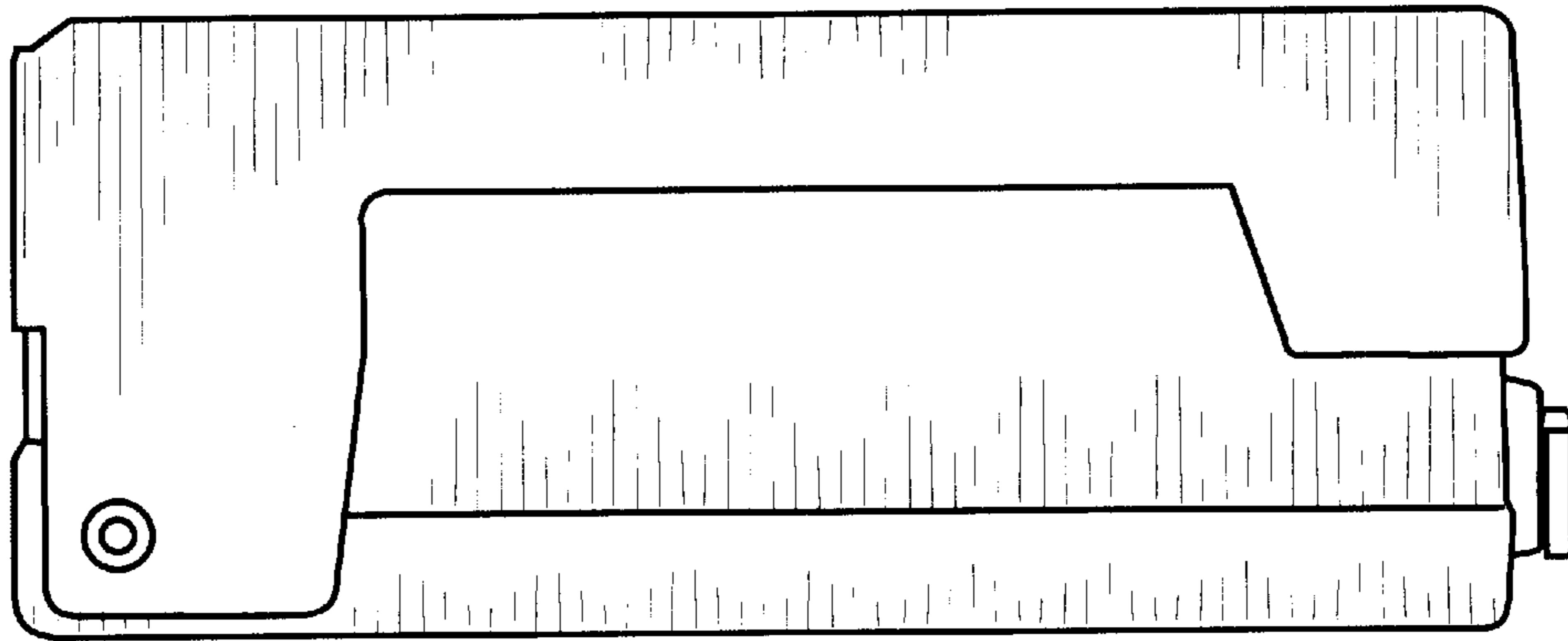


Fig. 4

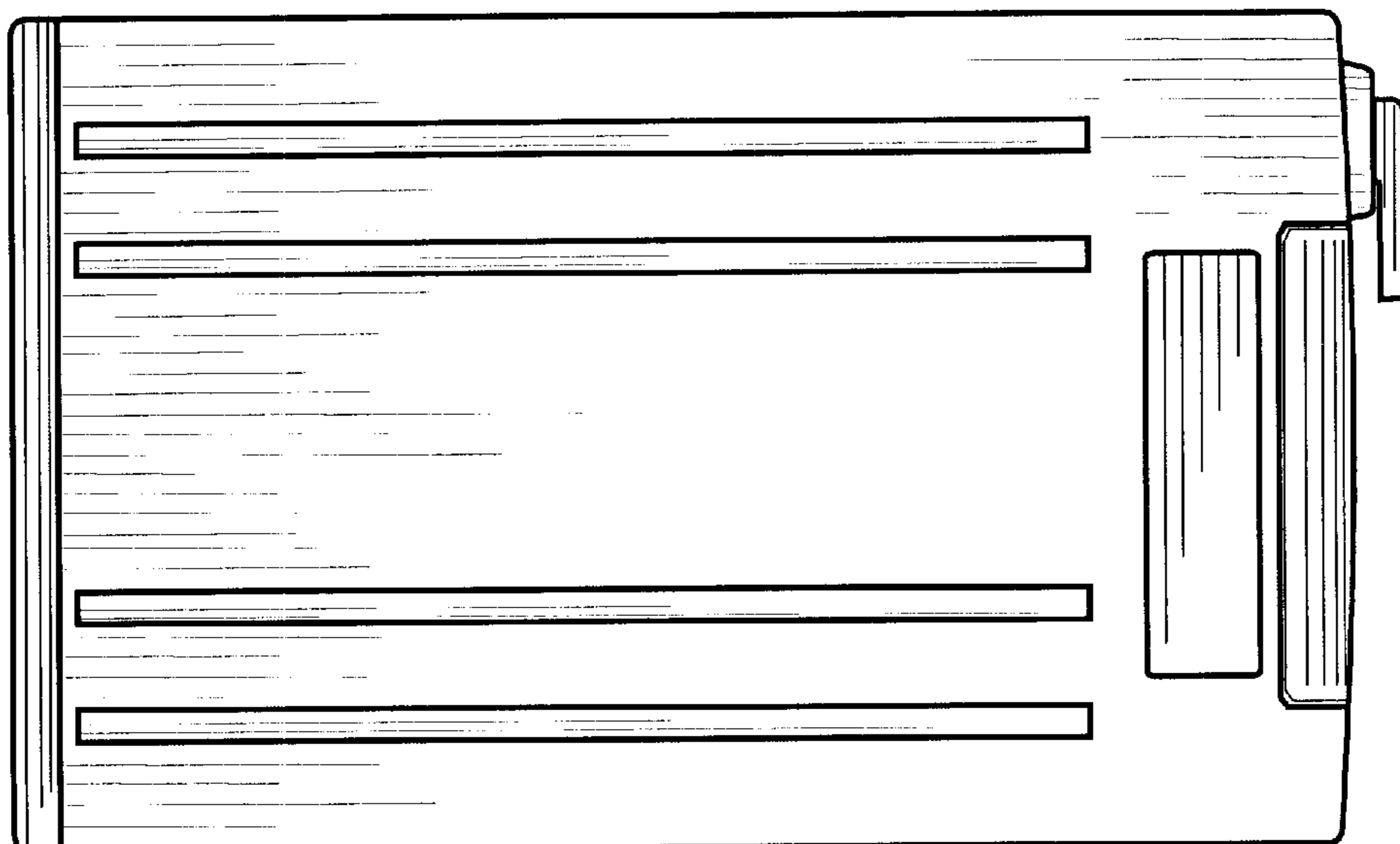


Fig. 5

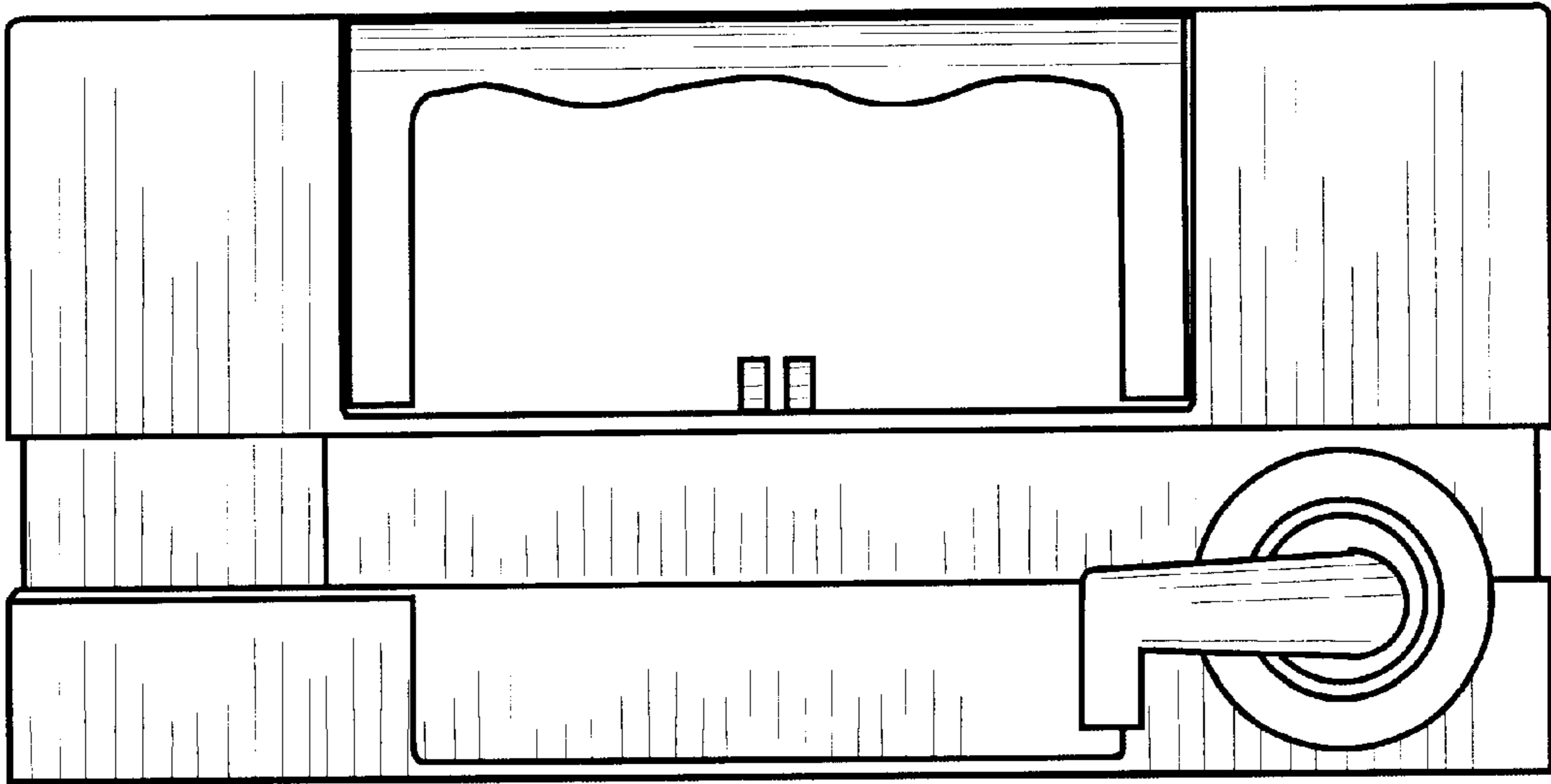


Fig. 6

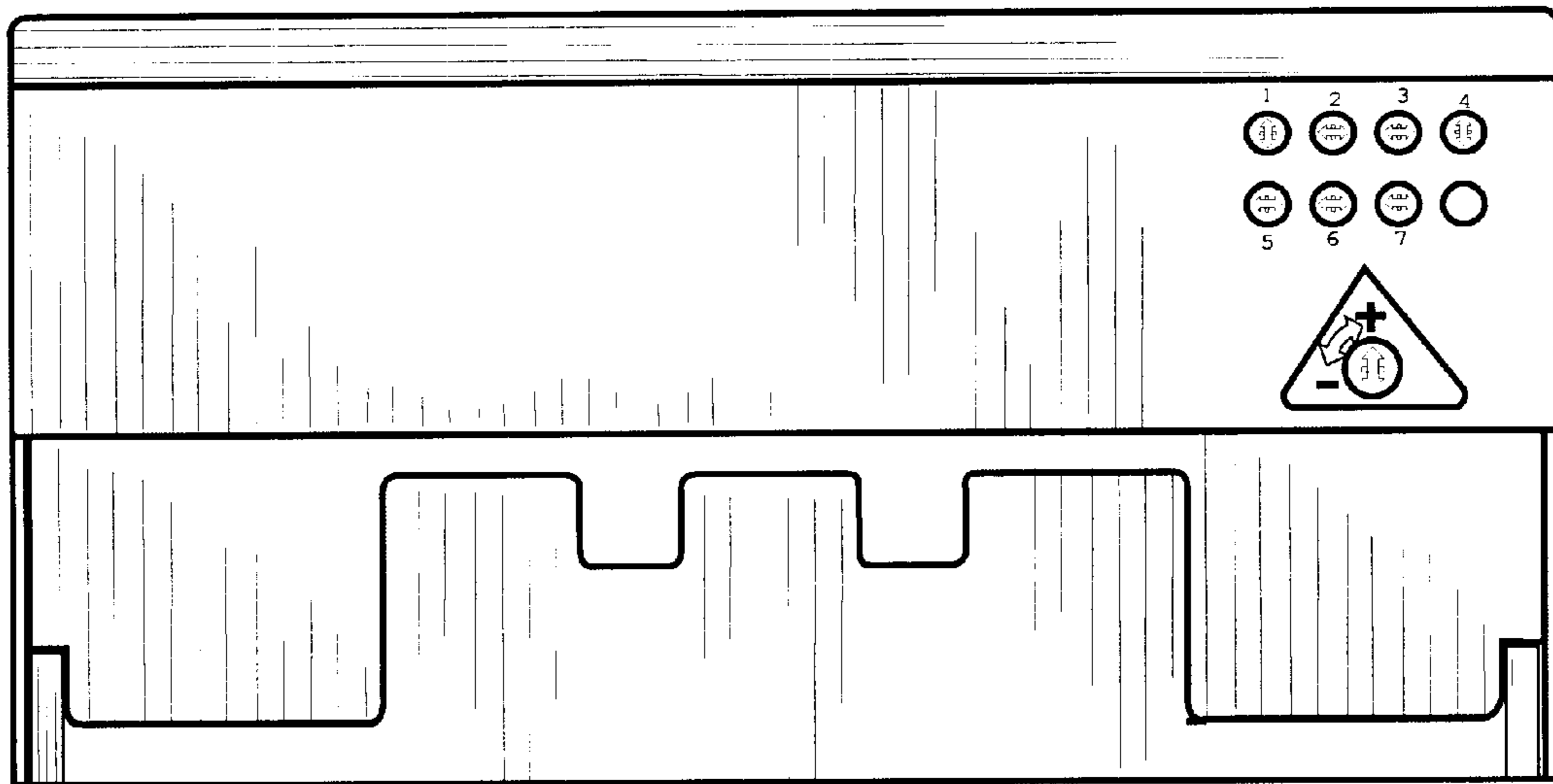


Fig. 7