



US00D481849S

(12) **United States Design Patent**
Waltz et al.

(10) **Patent No.:** **US D481,849 S**

(45) **Date of Patent:** **** Nov. 4, 2003**

(54) **VEHICULAR JACK**

(76) Inventors: **Jack W. Waltz**, 70 Pine Grove Rd.,
Yerington, NV (US) 89447; **Alvin A. Snaper**, 2800 Cameo Cir., Las Vegas,
NV (US) 89107

(**) **Term:** **14 Years**

(21) **Appl. No.:** **29/149,308**

(22) **Filed:** **Oct. 5, 2001**

(51) **LOC (7) Cl.** **12-05**

(52) **U.S. Cl.** **D34/31**

(58) **Field of Search** D34/28, 31; 254/8 B,
254/84, 11, 93 H, 2 B, DIG. 3

(56) **References Cited**

U.S. PATENT DOCUMENTS

1,362,630	A	*	12/1920	Lafrance	254/8 B
1,901,915	A	*	3/1933	Loughridge	254/8 B
4,583,713	A	*	4/1986	Fukura et al.	254/126
4,802,653	A	*	2/1989	Engel	254/84
4,848,733	A	*	7/1989	Yamauchi et al.	254/93 H

5,064,171	A	*	11/1991	Engel	254/93 H
5,176,362	A	*	1/1993	Seksaria et al.	254/11
5,199,688	A	*	4/1993	Engel	254/93 H
D340,566	S	*	10/1993	Thomas	D34/31
5,364,071	A	*	11/1994	Lu	254/8 B
D357,788	S	*	4/1995	Everett	D34/31
5,421,554	A	*	6/1995	Hsu	254/8 B
5,603,486	A	*	2/1997	Liu	254/8 B

* cited by examiner

Primary Examiner—Cynthia E. Ramirez

(74) *Attorney, Agent, or Firm*—Donald D. Mon

(57) **CLAIM**

The ornamental design for a vehicular jack, as shown.

DESCRIPTION

FIG. 1 is a top plan view showing our new design;
FIG. 2 is a front elevational view, the rear being a mirror
image thereof;
FIG. 3 is a bottom plan view thereof;
FIG. 4 is a left side view thereof; and,
FIG. 5 is a right side view thereof.

1 Claim, 2 Drawing Sheets

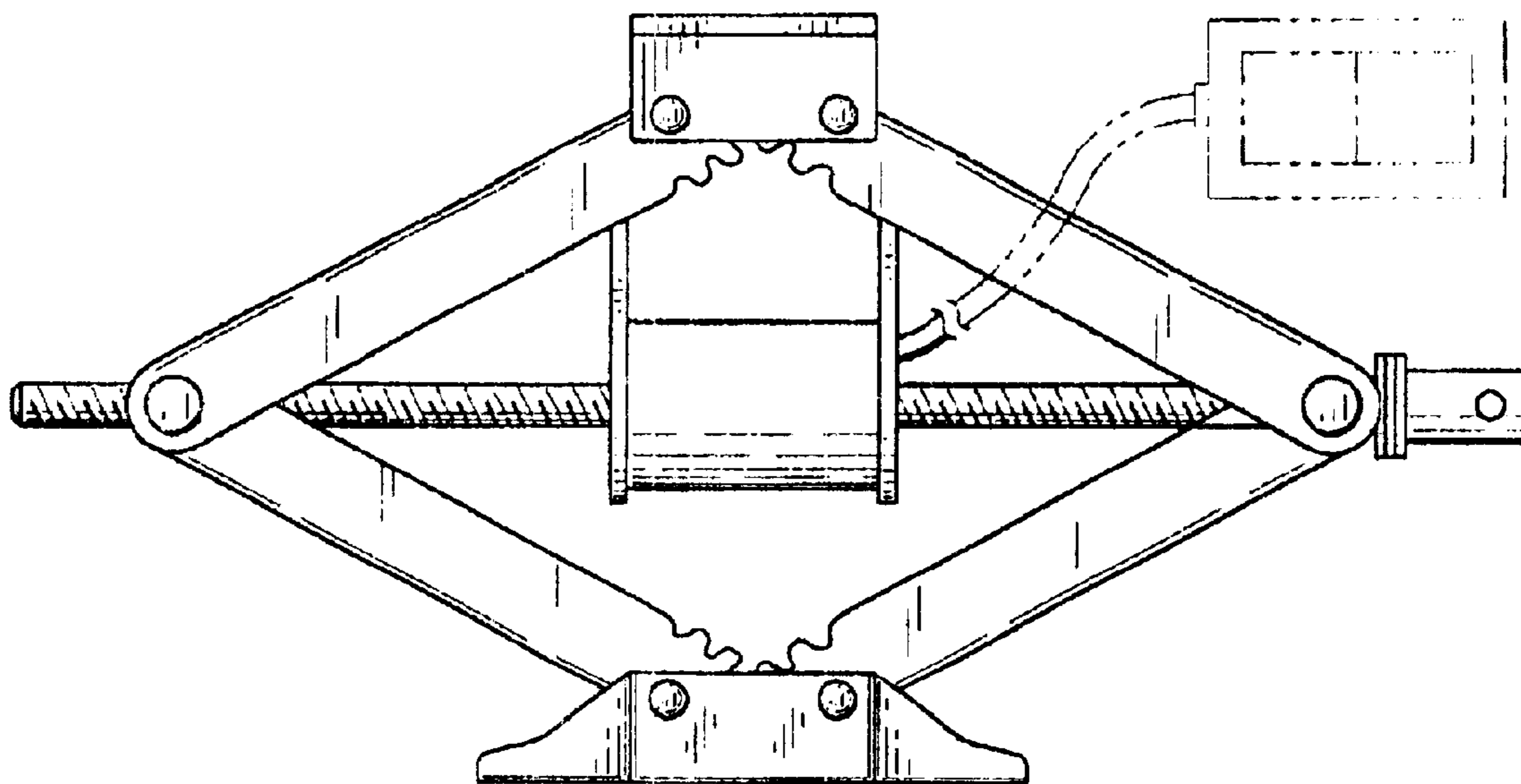


FIG. 1

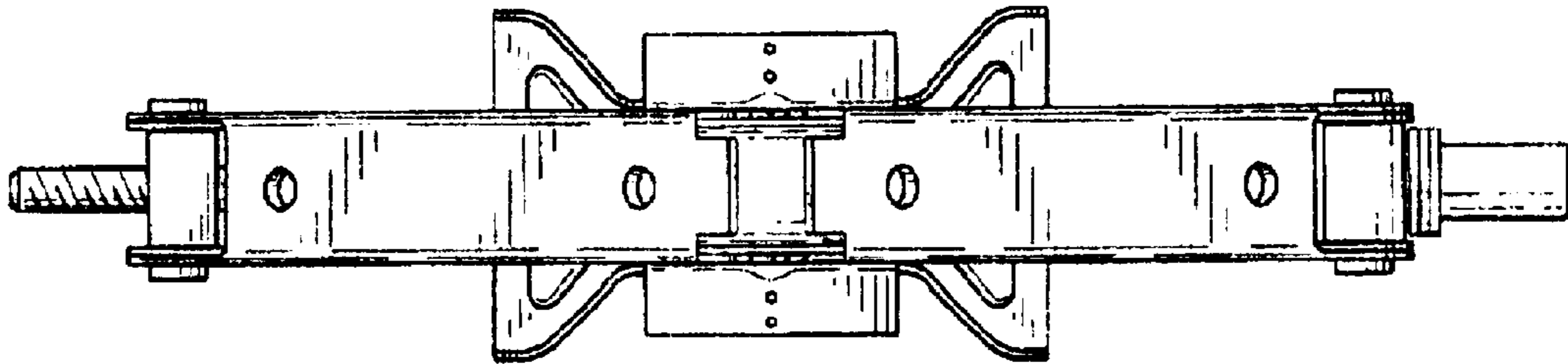


FIG. 2

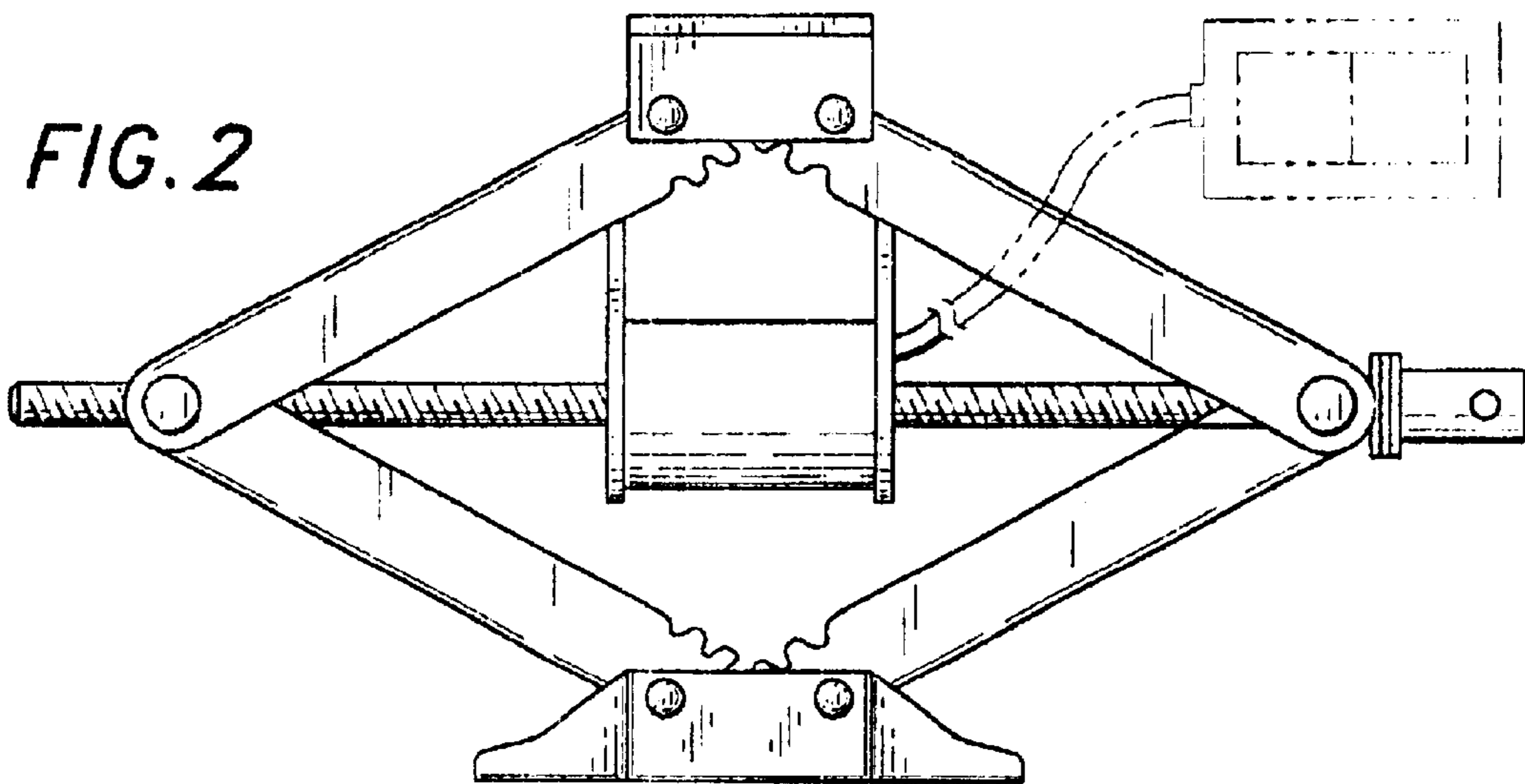
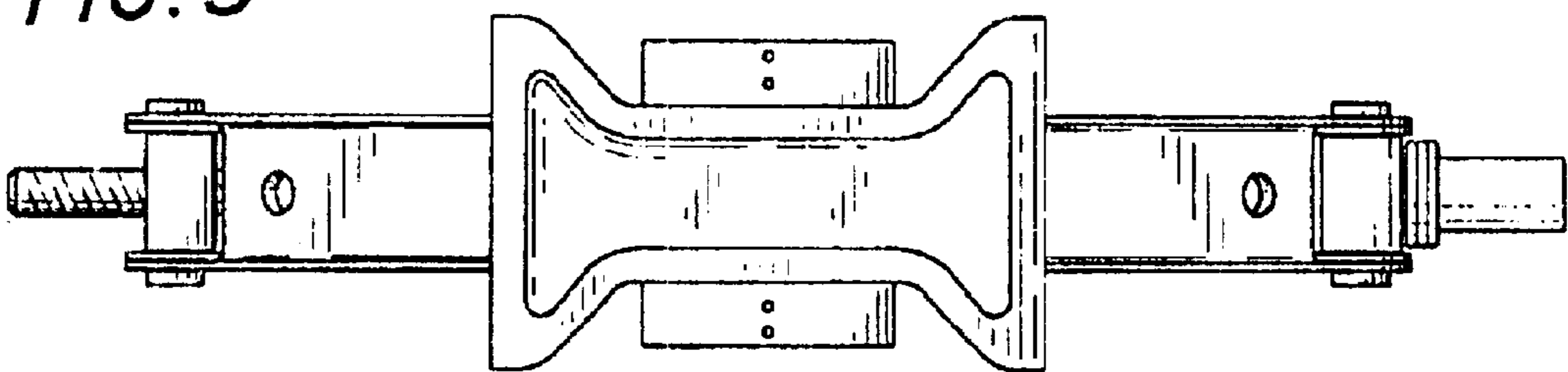


FIG. 3



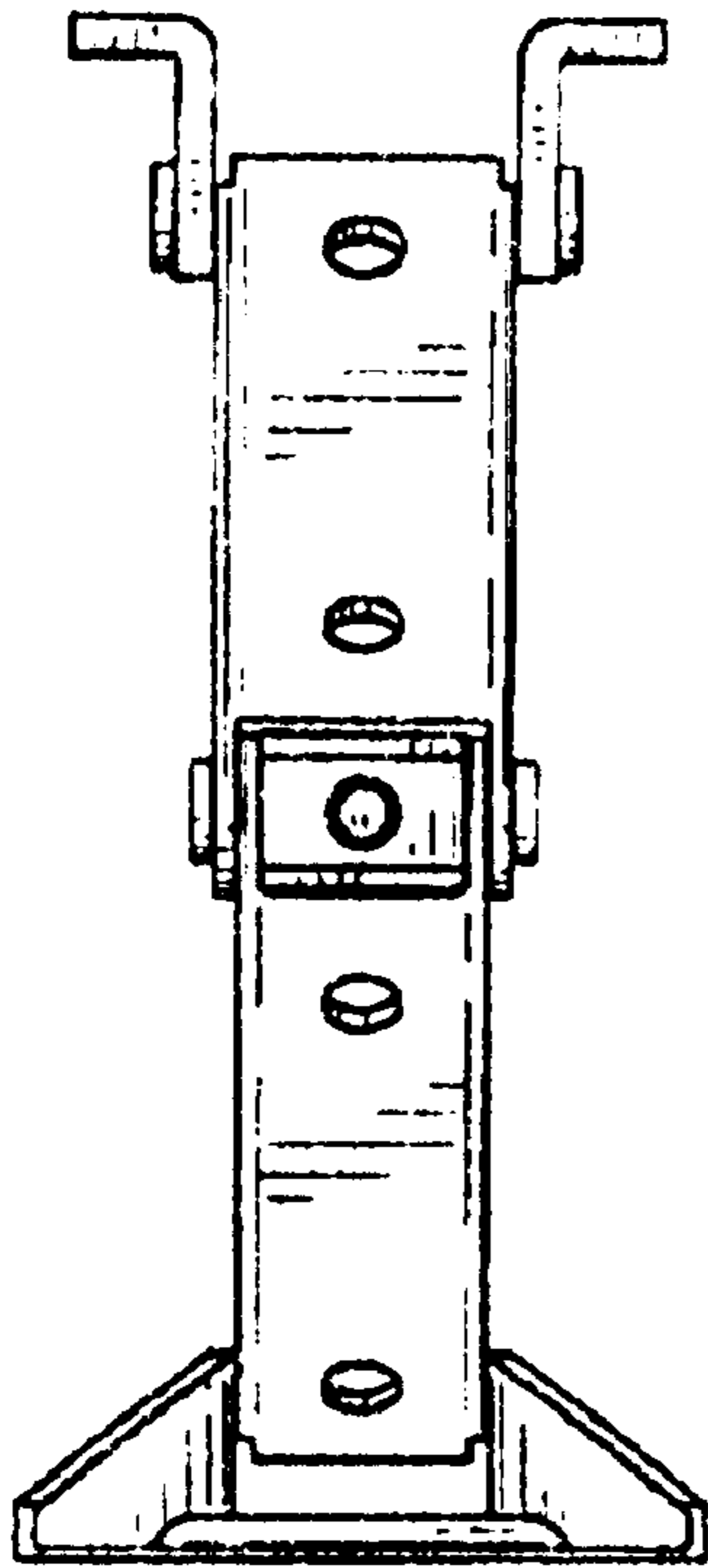


FIG. 4

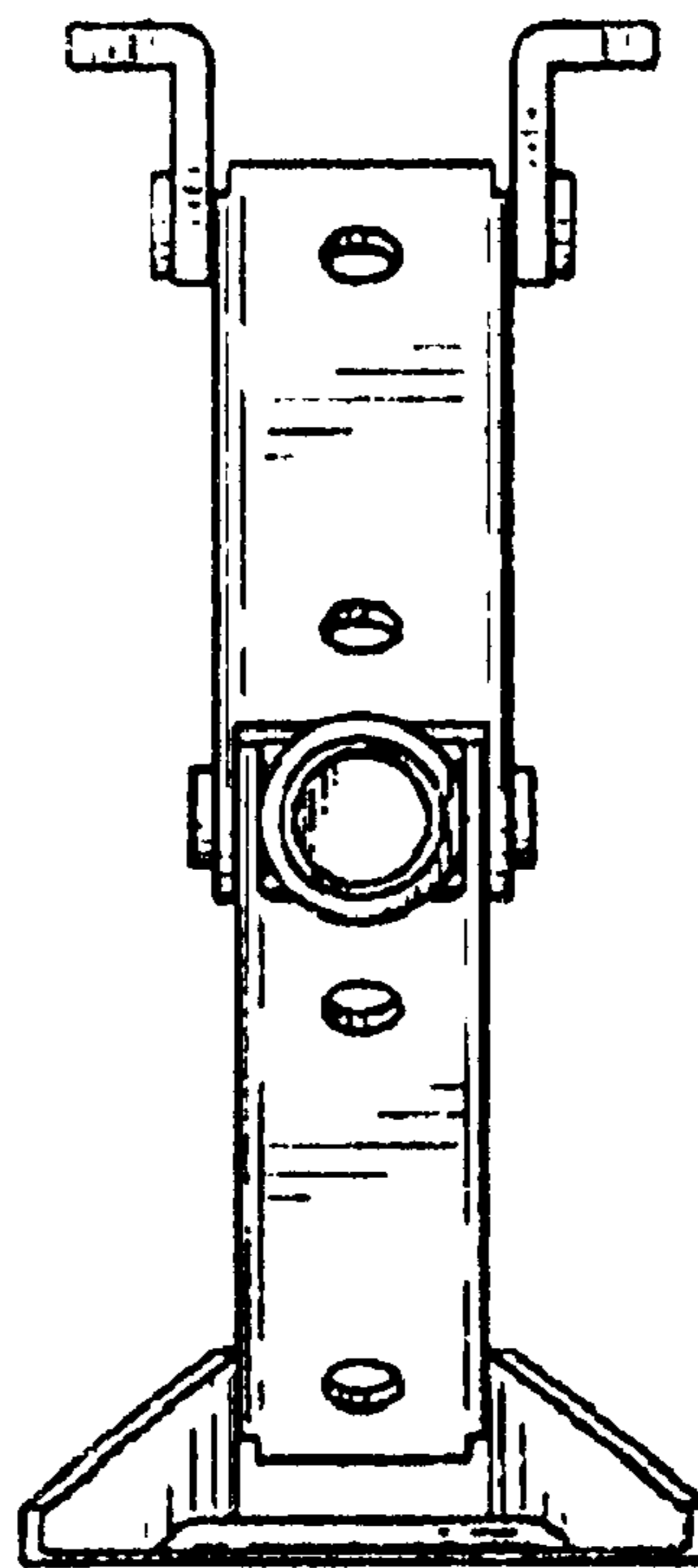


FIG. 5