



US00D481846S

(12) **United States Design Patent**
Lin

(10) **Patent No.:** **US D481,846 S**

(45) **Date of Patent:** **** Nov. 4, 2003**

(54) **GARBAGE CAN**

(76) **Inventor:** **Tsong-Yow Lin**, No. 57-1, Yung-Ho St.,
Yung Ho Village, Ta Tu Hsiang,
Taichung Hsien (TW)

(**) **Term:** **14 Years**

(21) **Appl. No.:** **29/168,965**

(22) **Filed:** **Oct. 11, 2002**

(51) **LOC (7) Cl.** **09-09**

(52) **U.S. Cl.** **D34/9**

(58) **Field of Search** D34/1, 4, 6, 5,
D34/10, 11, 8, 9; 220/908, 908.1, 909,
910, 911, 262, 263, 252, 265

(56) **References Cited**

U.S. PATENT DOCUMENTS

4,081,105	A	*	3/1978	Dagonnet et al.	220/263
4,489,810	A	*	12/1984	Curtis	312/272.5
D329,929	S	*	9/1992	Knoedler et al.	D32/37
D332,334	S	*	1/1993	Jones	D34/9
5,356,025	A	*	10/1994	Renault	220/263
D352,144	S	*	11/1994	Brookshire et al.	D34/9

5,474,201	A	*	12/1995	Liu	220/23.87
5,531,348	A	*	7/1996	Baker et al.	220/264
D401,028	S	*	11/1998	Ahern et al.	D34/9
D467,696	S	*	12/2002	Rashid	D34/9
D470,639	S	*	2/2003	Quan	D34/9

* cited by examiner

Primary Examiner—Cynthia E. Ramirez

(74) *Attorney, Agent, or Firm*—Alan D. Kamrath; Rider
Bennett LLP

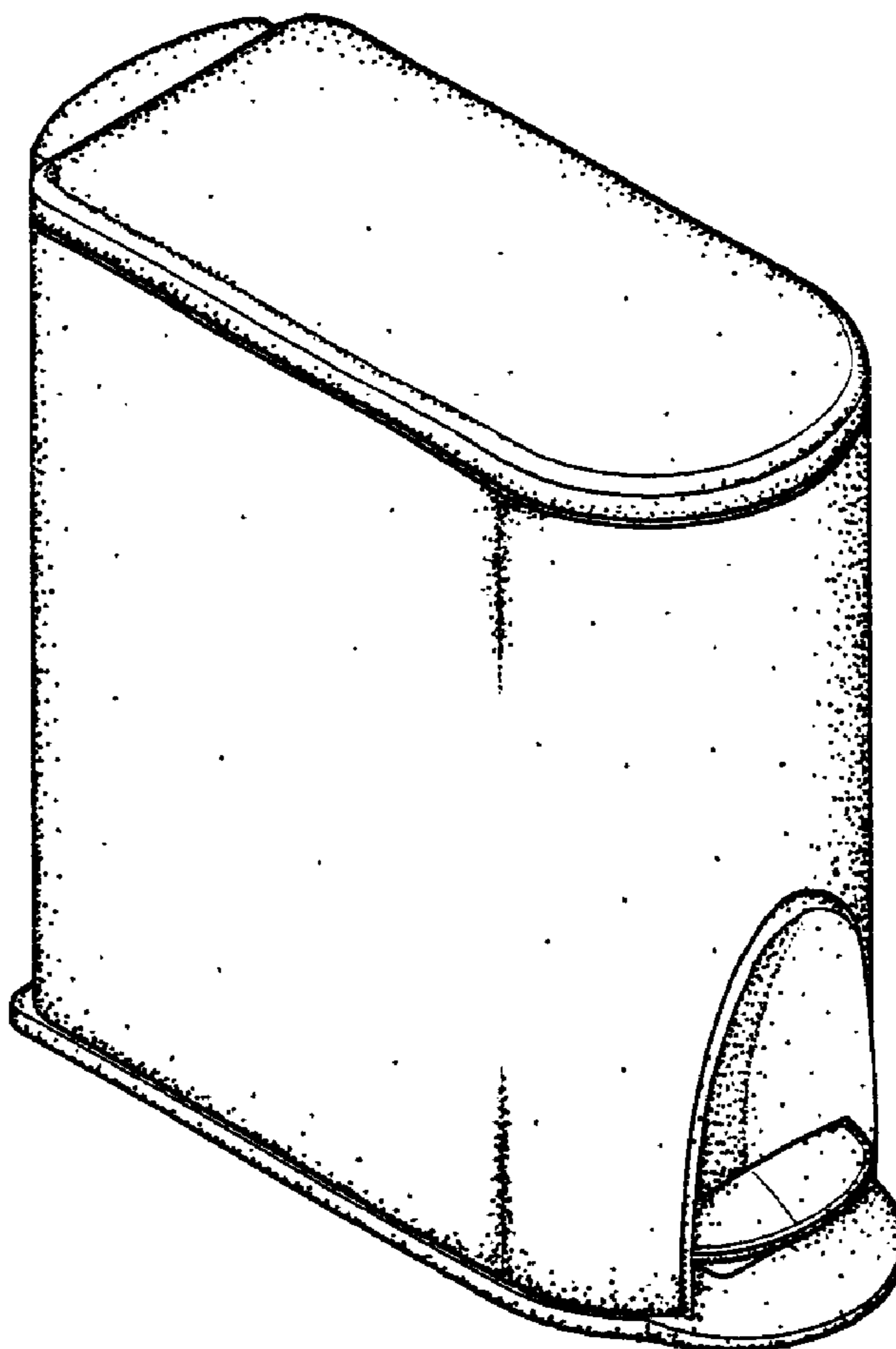
(57) **CLAIM**

The ornamental design for garbage can, as shown and
described.

DESCRIPTION

FIG. 1 is a perspective view of a garbage can showing my
new design;
FIG. 2 is a front elevational view thereof;
FIG. 3 is a rear elevational view thereof;
FIG. 4 is a left elevational view thereof; the opposite side
being a mirror image of the shown;
FIG. 5 is a top plan view thereof; and,
FIG. 6 is bottom plan view thereof.

1 Claim, 2 Drawing Sheets



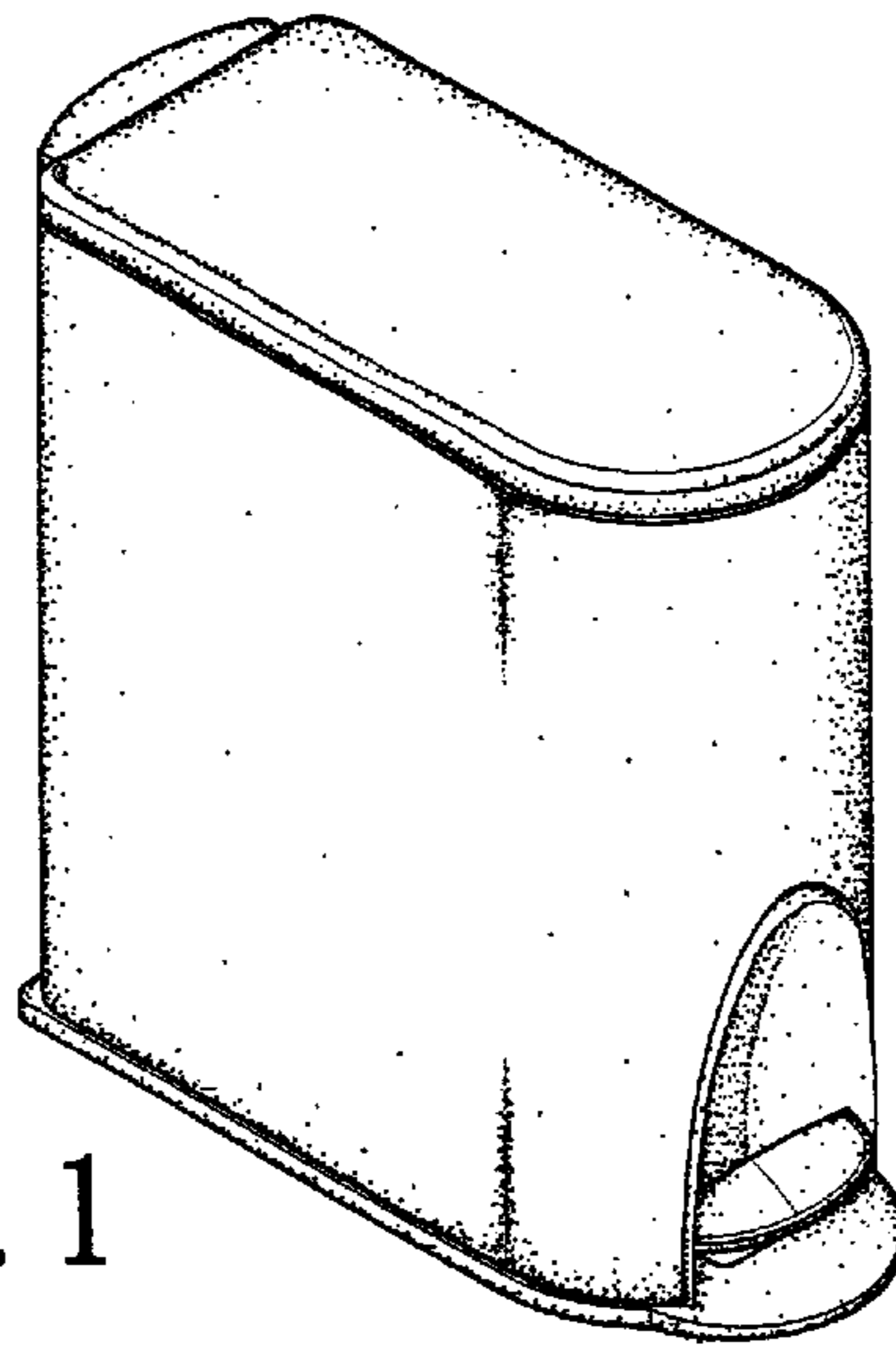


Fig. 1

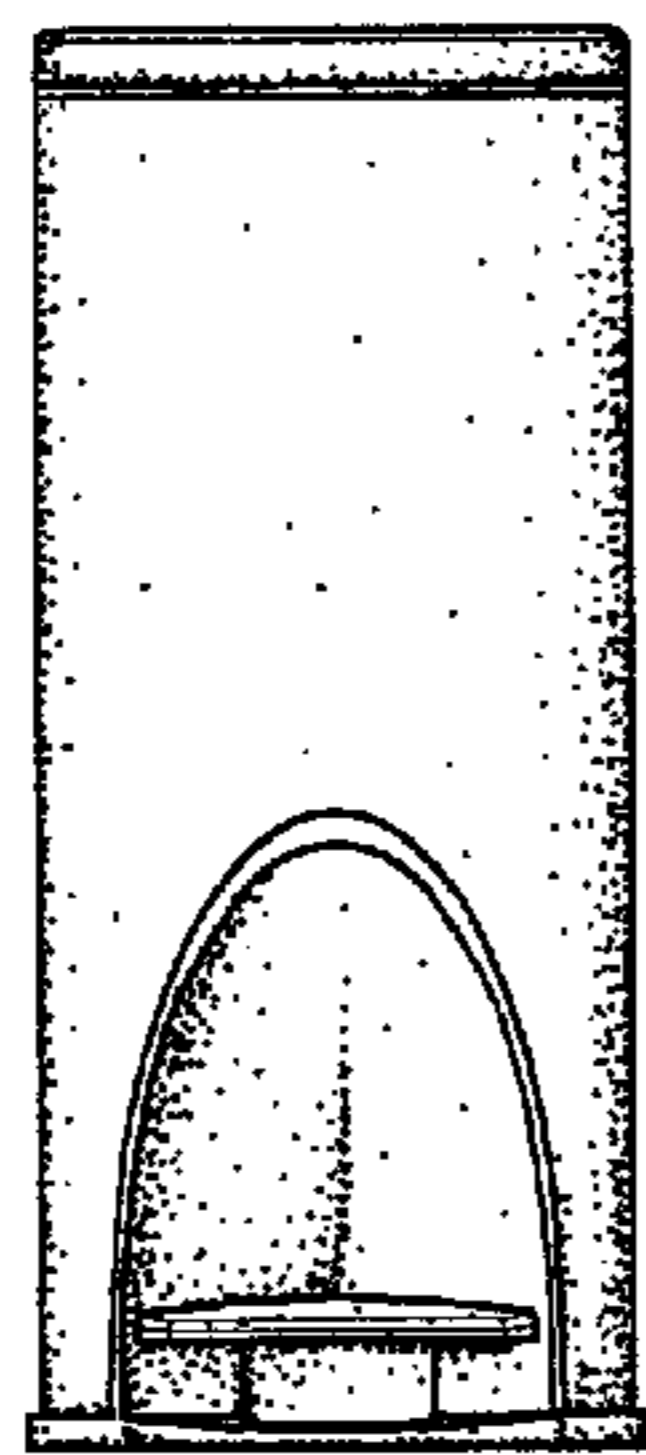


Fig. 2

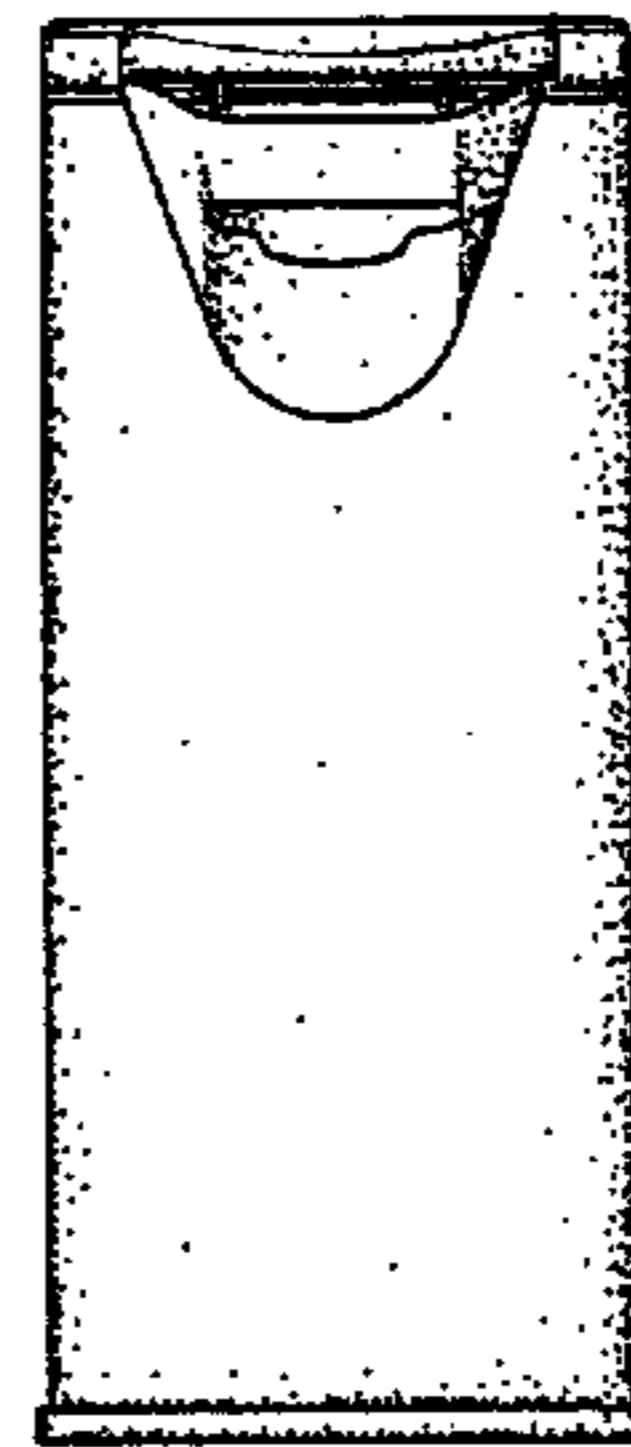


Fig. 3

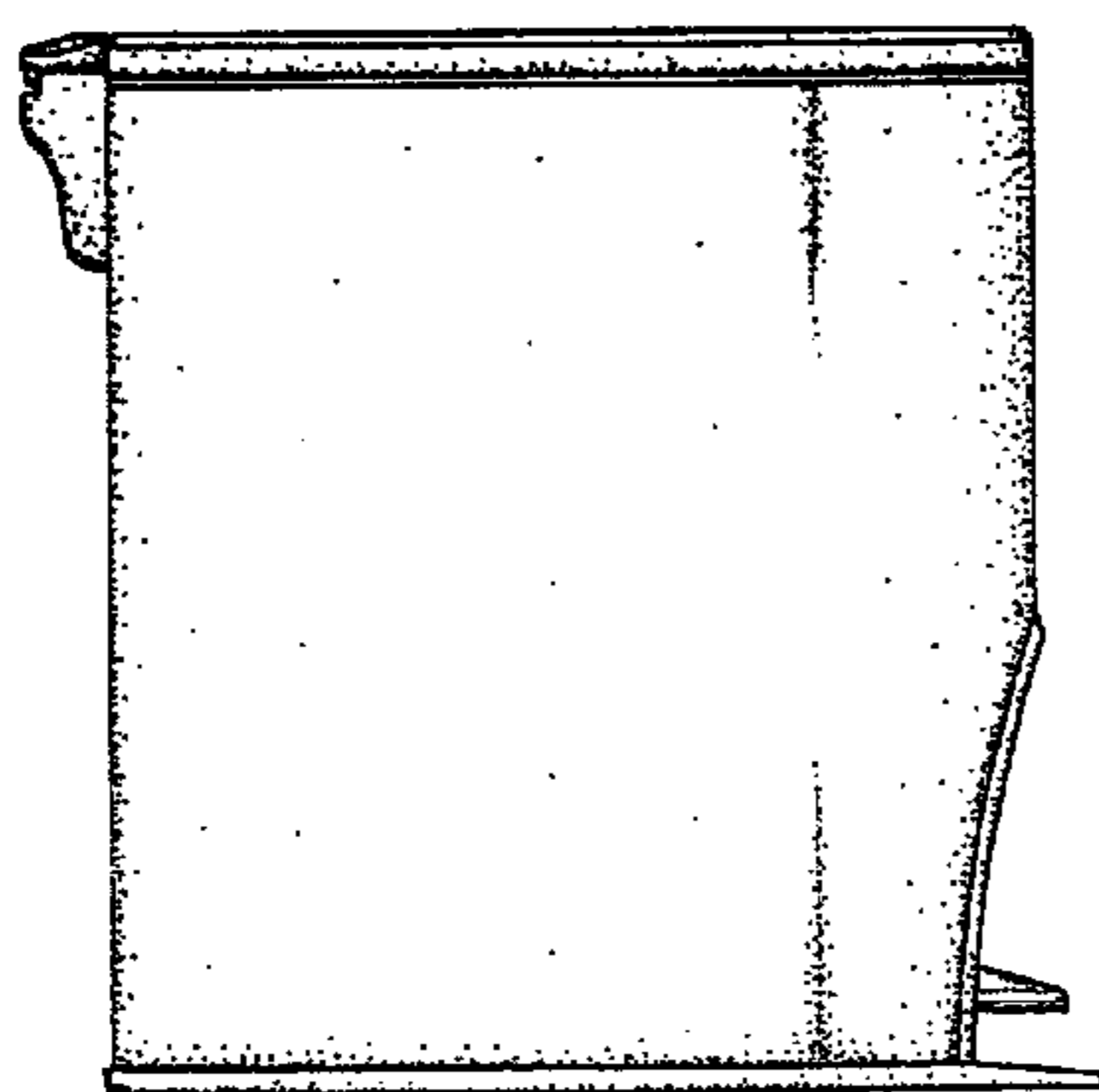


Fig. 4

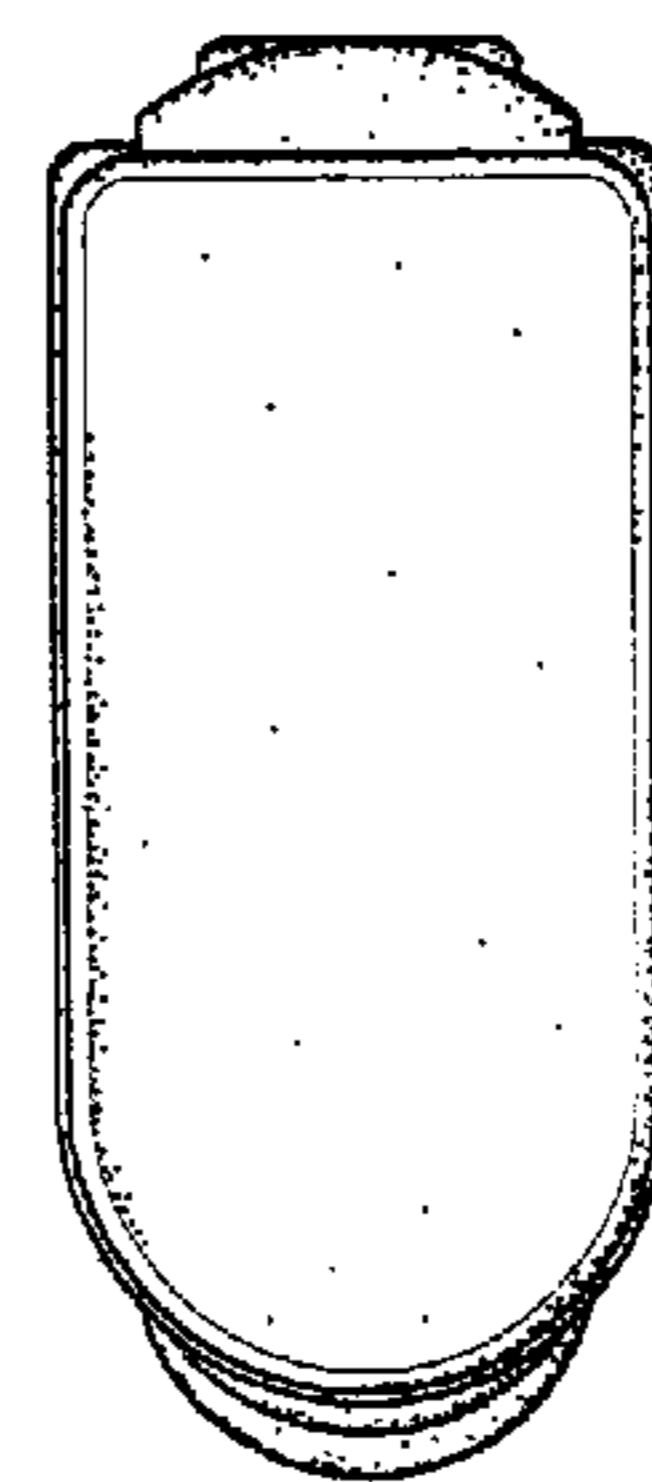


Fig. 5

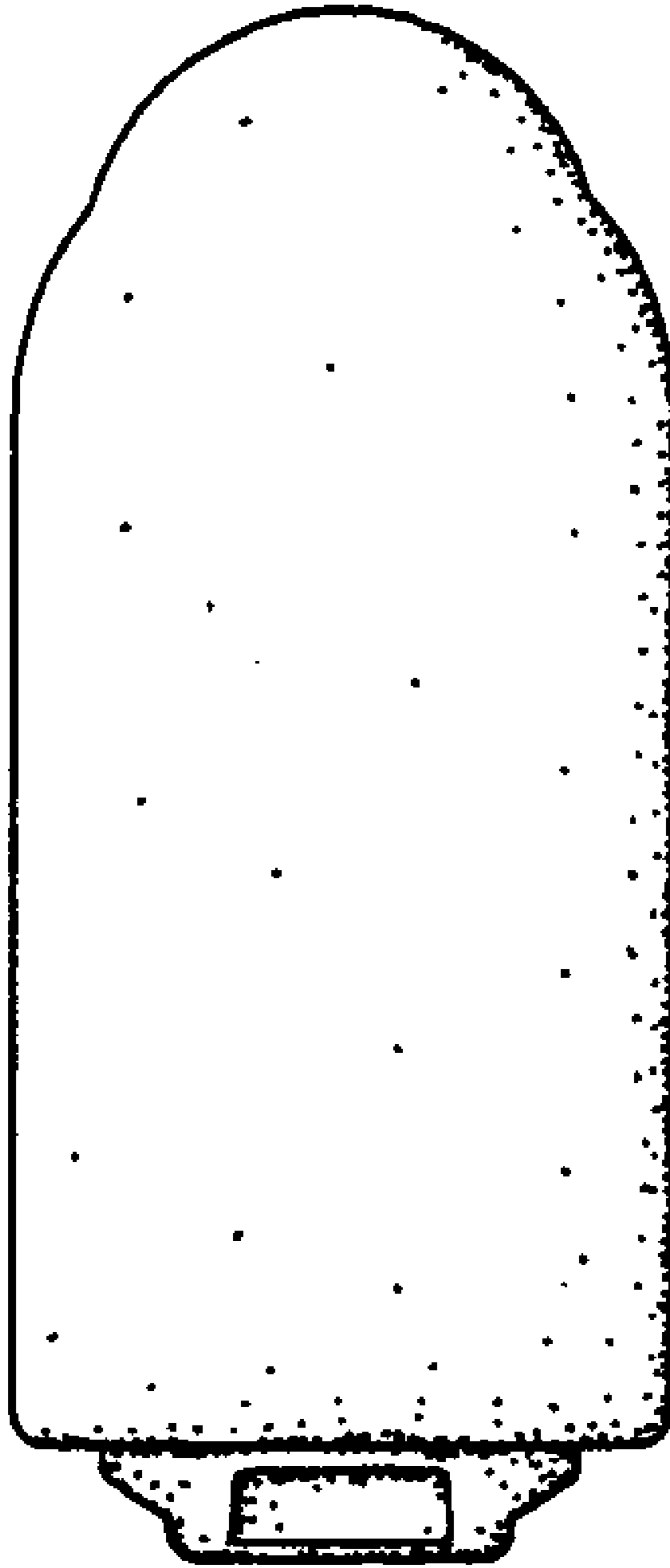


Fig. 6