



US00D481844S

(12) **United States Design Patent**
Greene et al.

(10) **Patent No.:** **US D481,844 S**

(45) **Date of Patent:** **** Nov. 4, 2003**

(54) **FILTER CANISTER FOR VACUUM CLEANER**

(75) Inventors: **Mason I. Greene**, Danville, KY (US);
Ron E. Davis, Danville, KY (US)

(73) Assignee: **Matsushita Electric Corporation of America**, Secaucus, NJ (US)

(**) Term: **14 Years**

(21) Appl. No.: **29/167,618**

(22) Filed: **Sep. 18, 2002**

(51) **LOC (7) Cl.** **15-05**

(52) **U.S. Cl.** **D32/30**

(58) **Field of Search** D32/21-22, 15-16,
D32/30-34, 38-39; 15/347, 350-353, 349,
335, 361; 55/337, 429, DIG. 3

(56) **References Cited**

U.S. PATENT DOCUMENTS

- D433,201 S * 10/2000 Wright et al. D32/30
- 6,230,362 B1 * 5/2001 Kasper et al. 15/320
- D444,275 S 6/2001 Mehaffey
- D446,614 S * 8/2001 Alford et al. D32/30
- D451,654 S * 12/2001 Alford et al. D32/30
- D453,403 S * 2/2002 Stephens et al. D32/30

- D453,595 S 2/2002 Stephens et al.
- D455,241 S * 4/2002 Alford et al. D32/30
- D455,877 S * 4/2002 Alford et al. D32/30
- 6,406,505 B1 * 6/2002 Oh et al. 55/337
- 6,428,589 B1 * 8/2002 Bair et al. 55/318
- 6,436,160 B1 8/2002 Stephens et al.
- 6,502,278 B2 * 1/2003 Oh et al. 15/353
- 6,532,620 B2 * 3/2003 Oh 15/353

* cited by examiner

Primary Examiner—Ruth McInroy

(74) *Attorney, Agent, or Firm*—King & Schickli, PLLC

(57) **CLAIM**

The ornamental design of a filter canister for vacuum cleaner, as shown and described.

DESCRIPTION

FIG. 1 is a perspective view of a filter canister for vacuum cleaner showing our new design;
 FIG. 2 is a rear elevational view thereof;
 FIG. 3 is a front elevational view thereof;
 FIG. 4 is a left side elevational view thereof;
 FIG. 5 is a right side elevational view thereof;
 FIG. 6 is a bottom plan view thereof; and,
 FIG. 7 is a top plan view thereof.

1 Claim, 4 Drawing Sheets

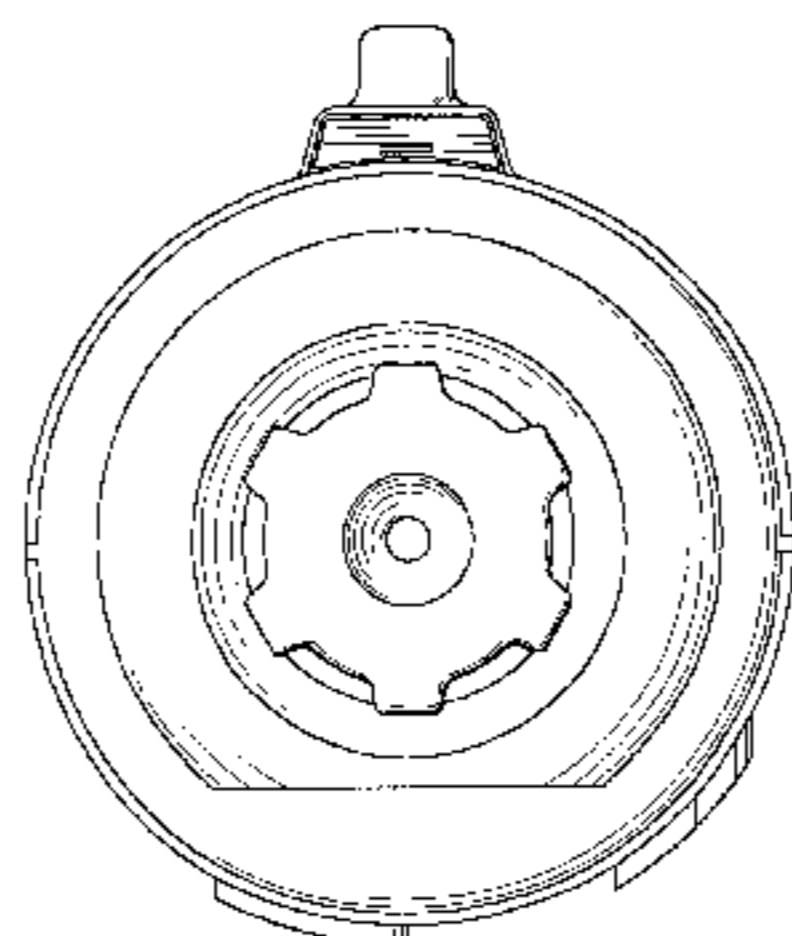
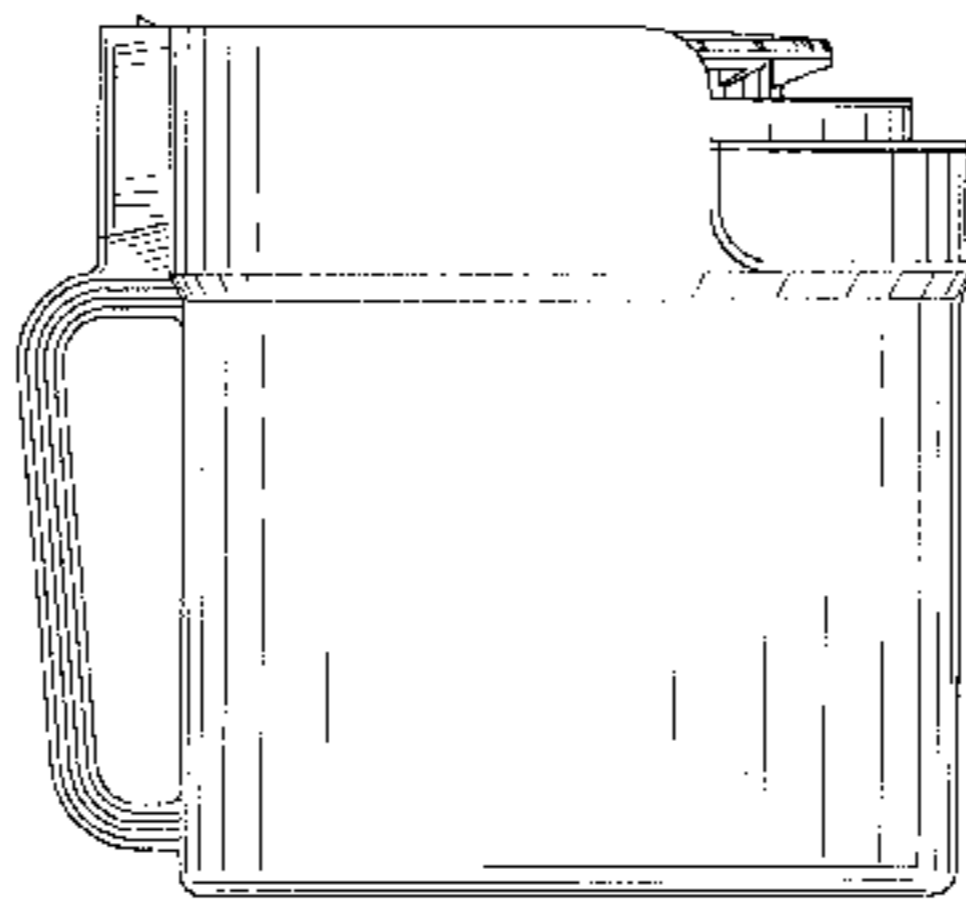
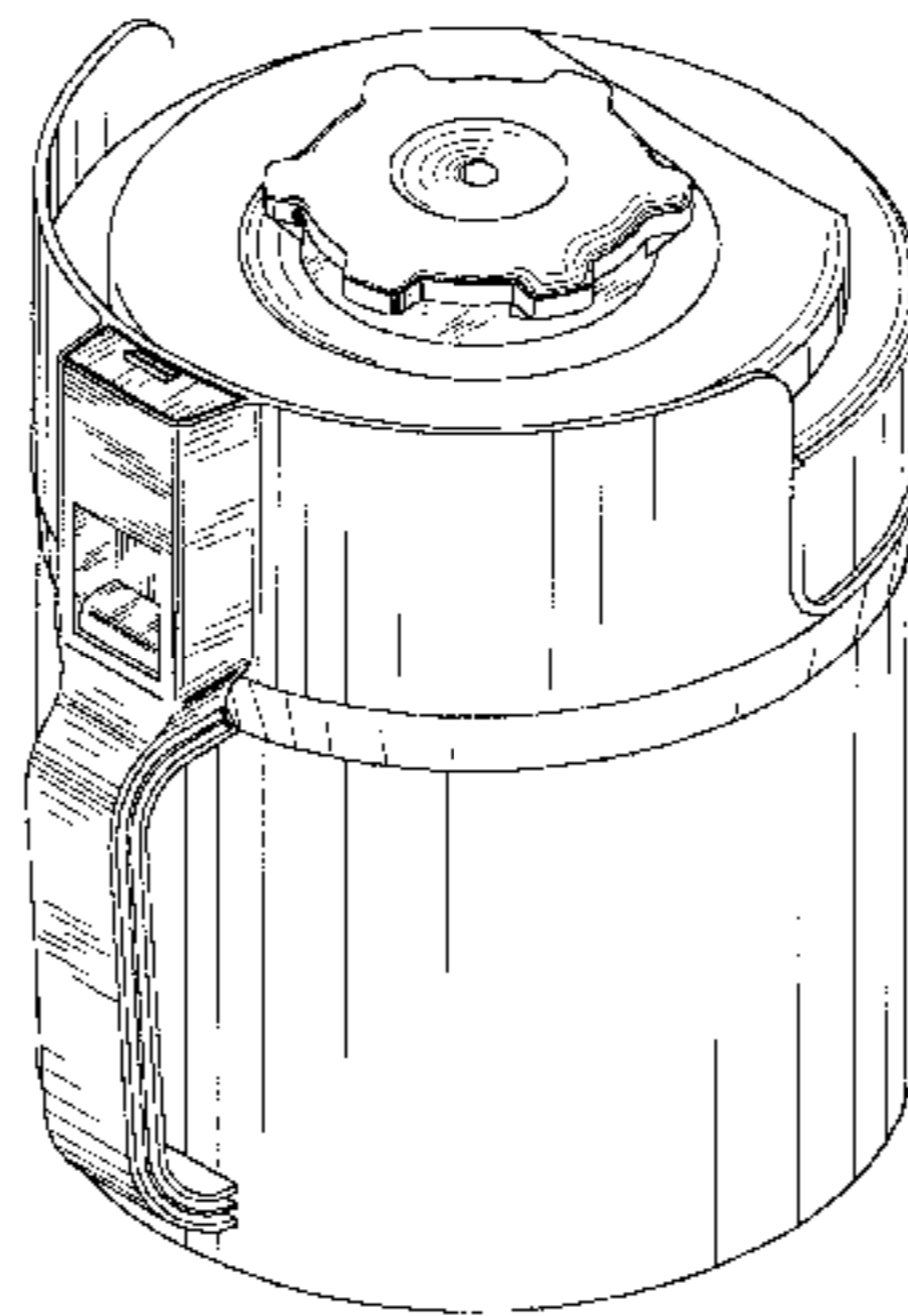


FIG. 1

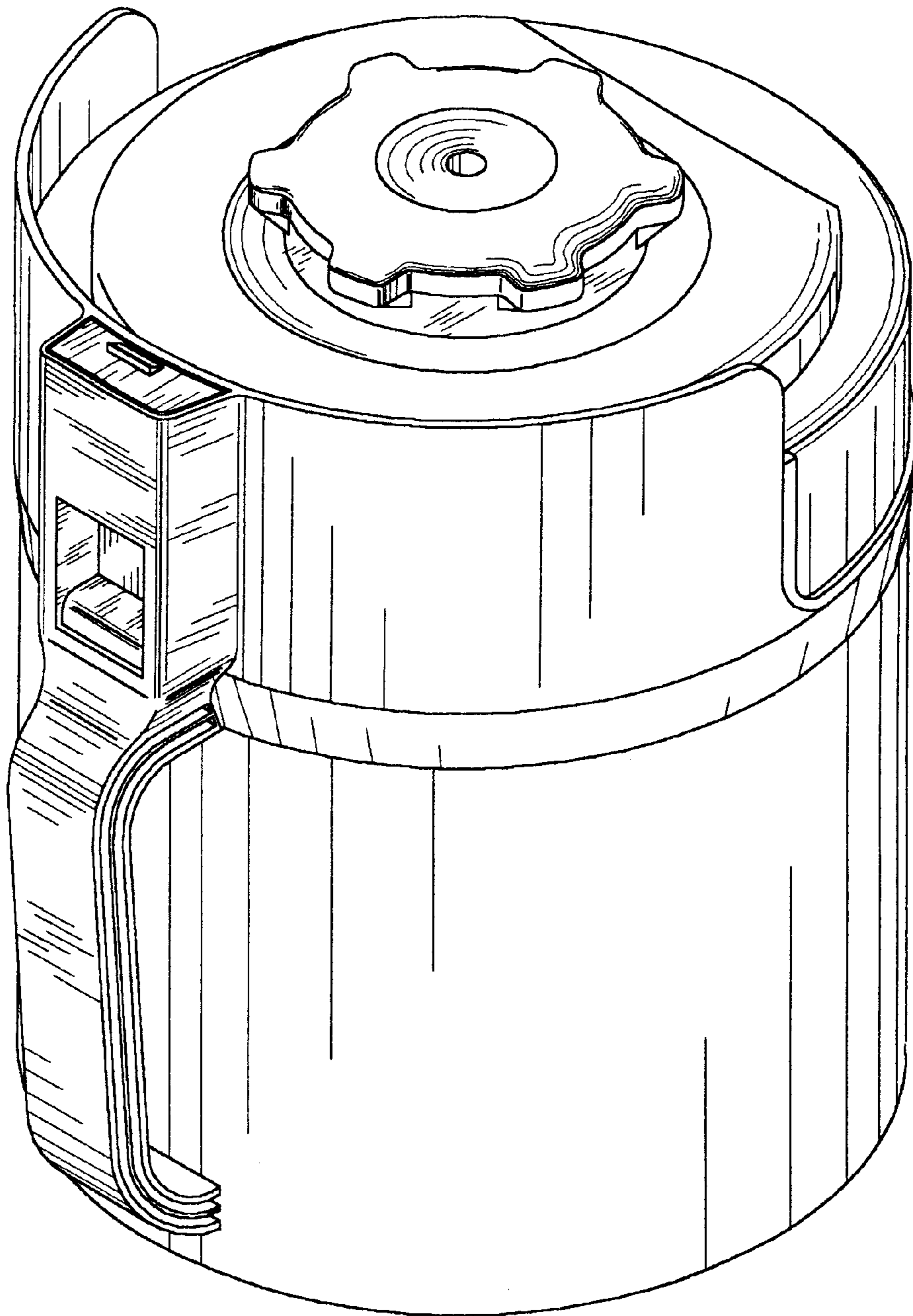


FIG. 2

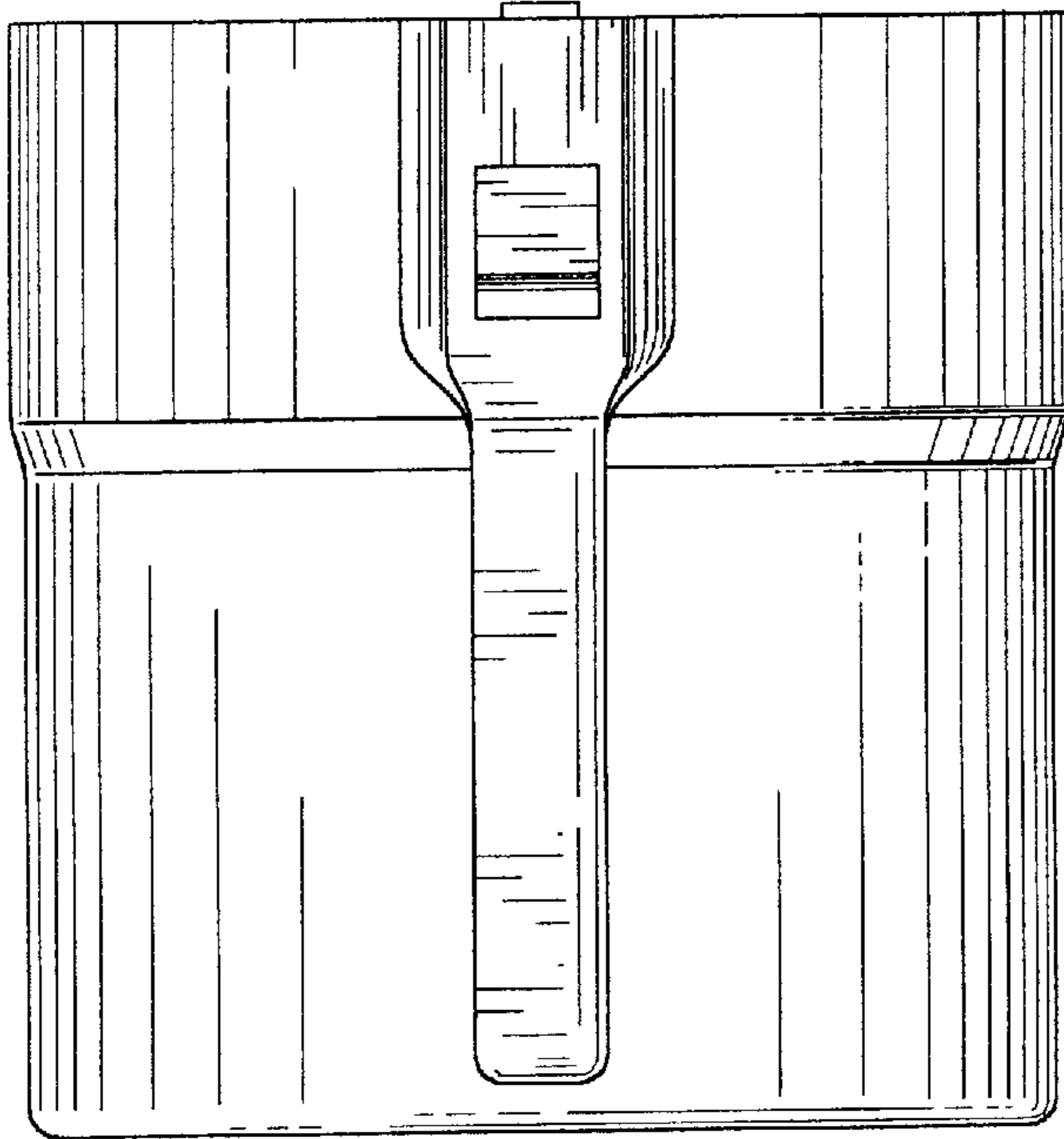


FIG. 3

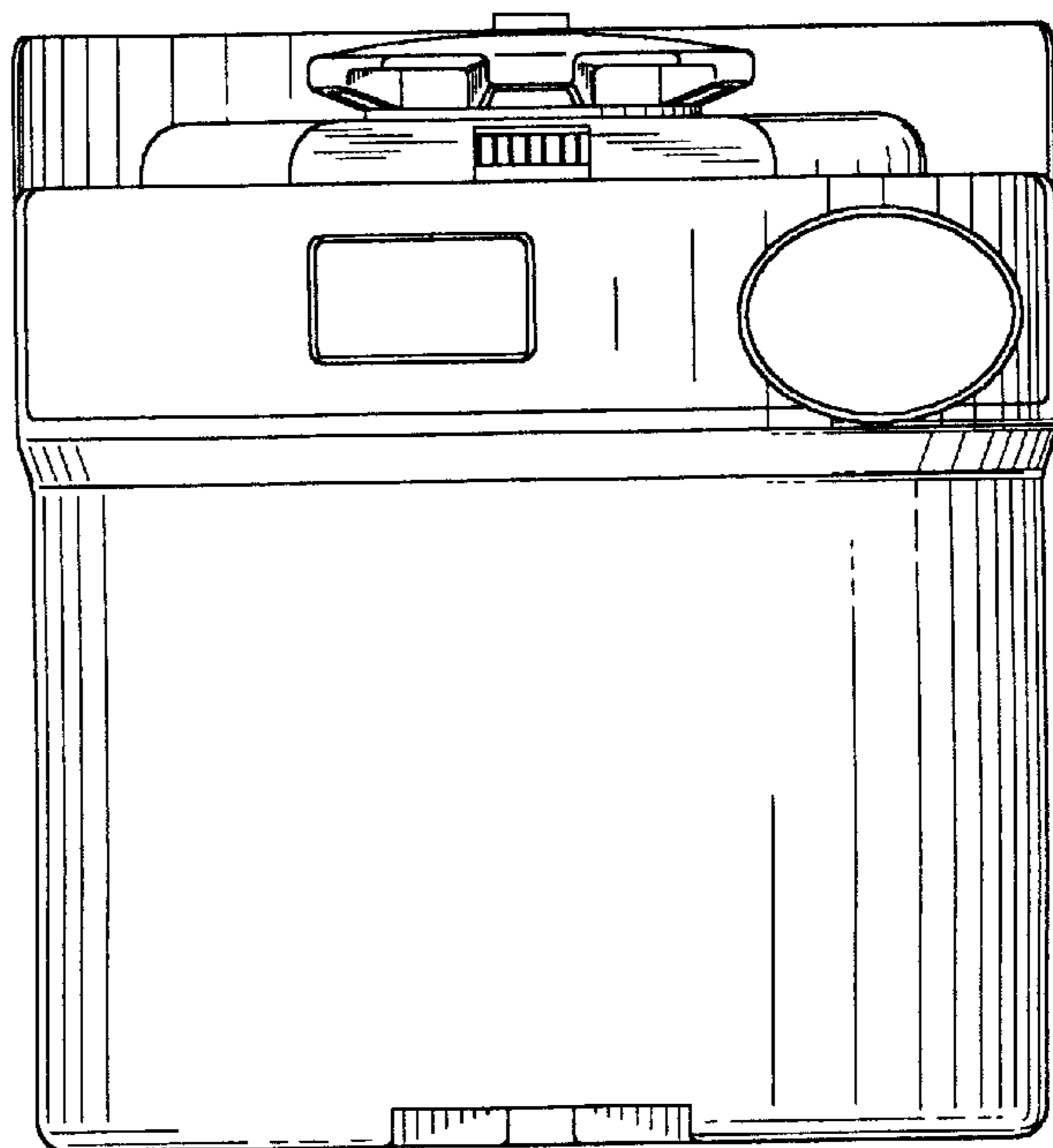


FIG. 4

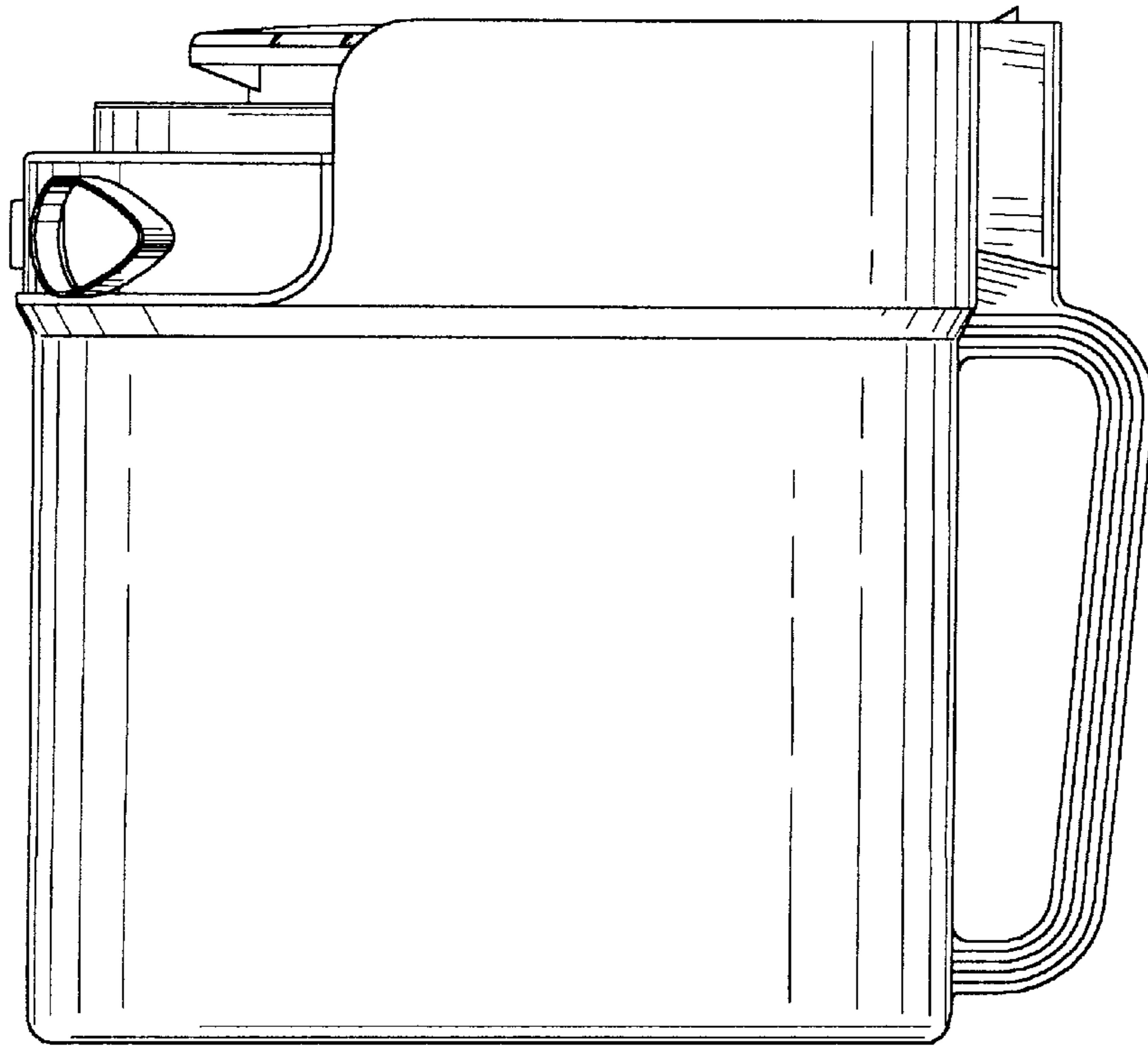
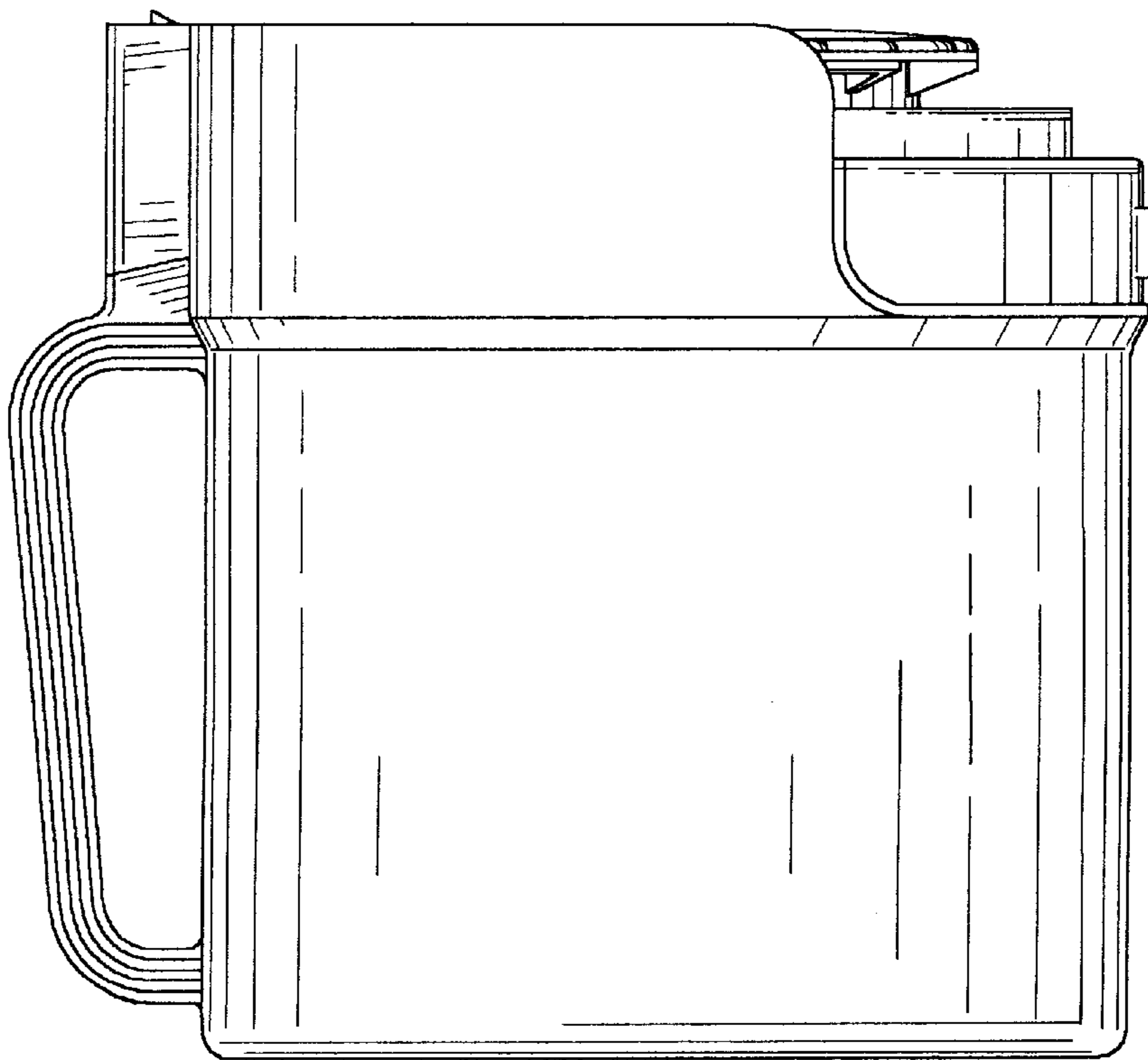


FIG. 5



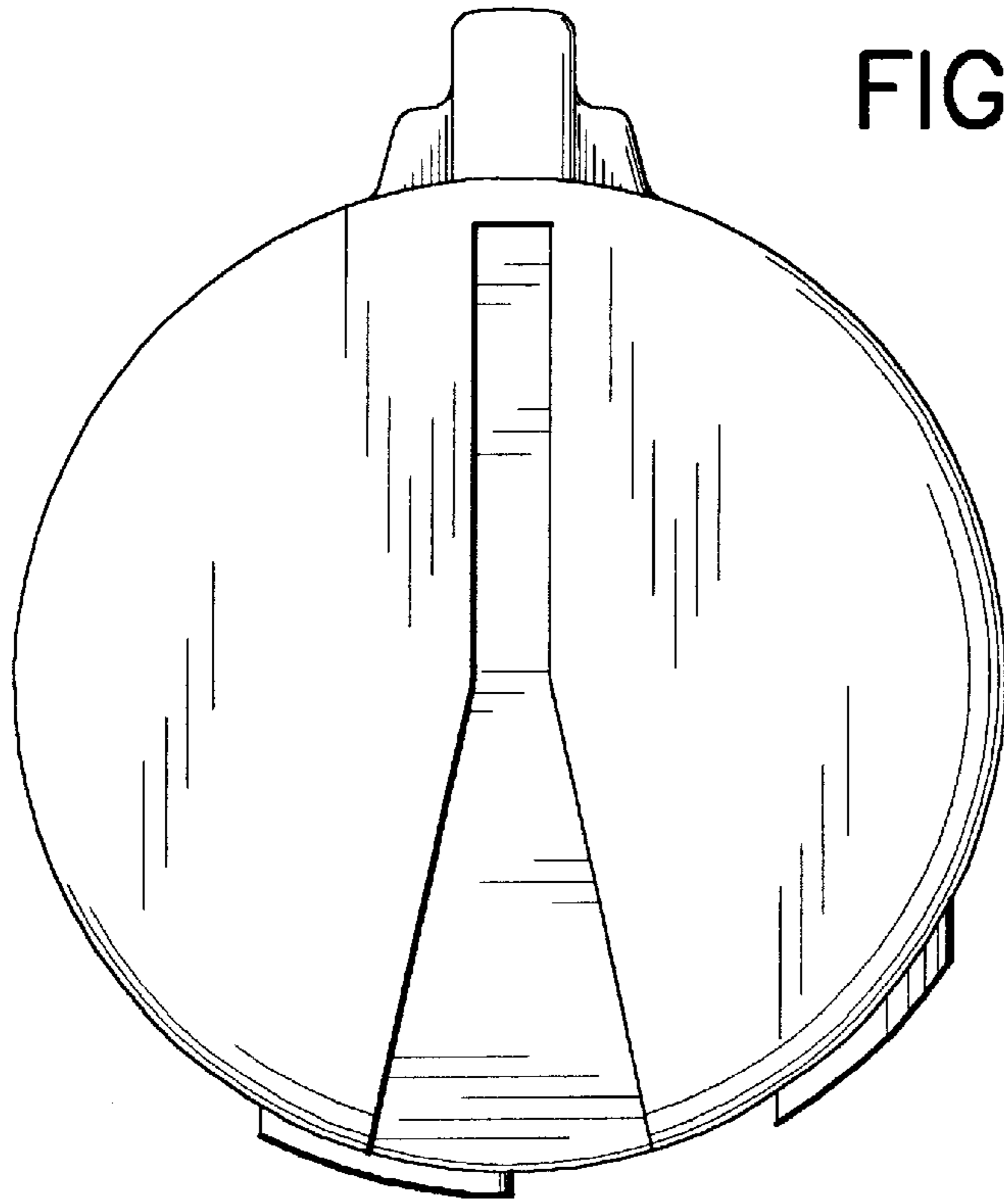


FIG. 6

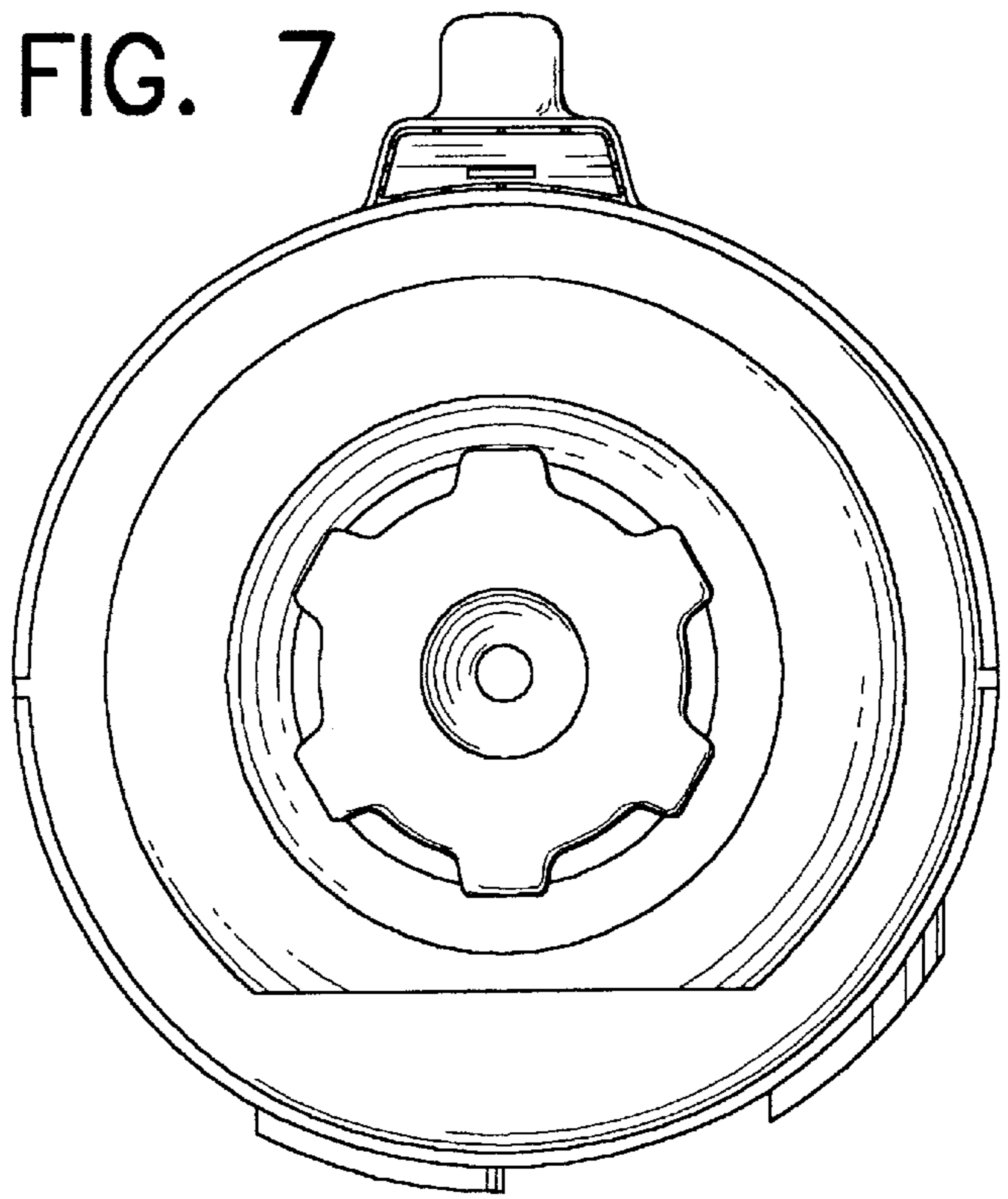


FIG. 7